



US00D451436B1

(12) **United States Design Patent**
Brown

(10) **Patent No.:** **US D451,436 S**

(45) **Date of Patent:** **** Dec. 4, 2001**

(54) **STROLLER SUN SHADE**

(56) **References Cited**

U.S. PATENT DOCUMENTS

(75) **Inventor:** **Kelly Lee Brown**, 616 Franklin St.,
Springville, NY (US) 14141

D. 424,483 * 5/2000 Tripodi D12/133

* cited by examiner

(73) **Assignee:** **Kelly Lee Brown**, Springville, NY (US)

Primary Examiner—Kay H. Chin

(**) **Term:** **14 Years**

(57) **CLAIM**

The ornamental design for a stroller sun shade, as shown and described.

(21) **Appl. No.:** **29/120,074**

DESCRIPTION

(22) **Filed:** **Mar. 2, 2000**

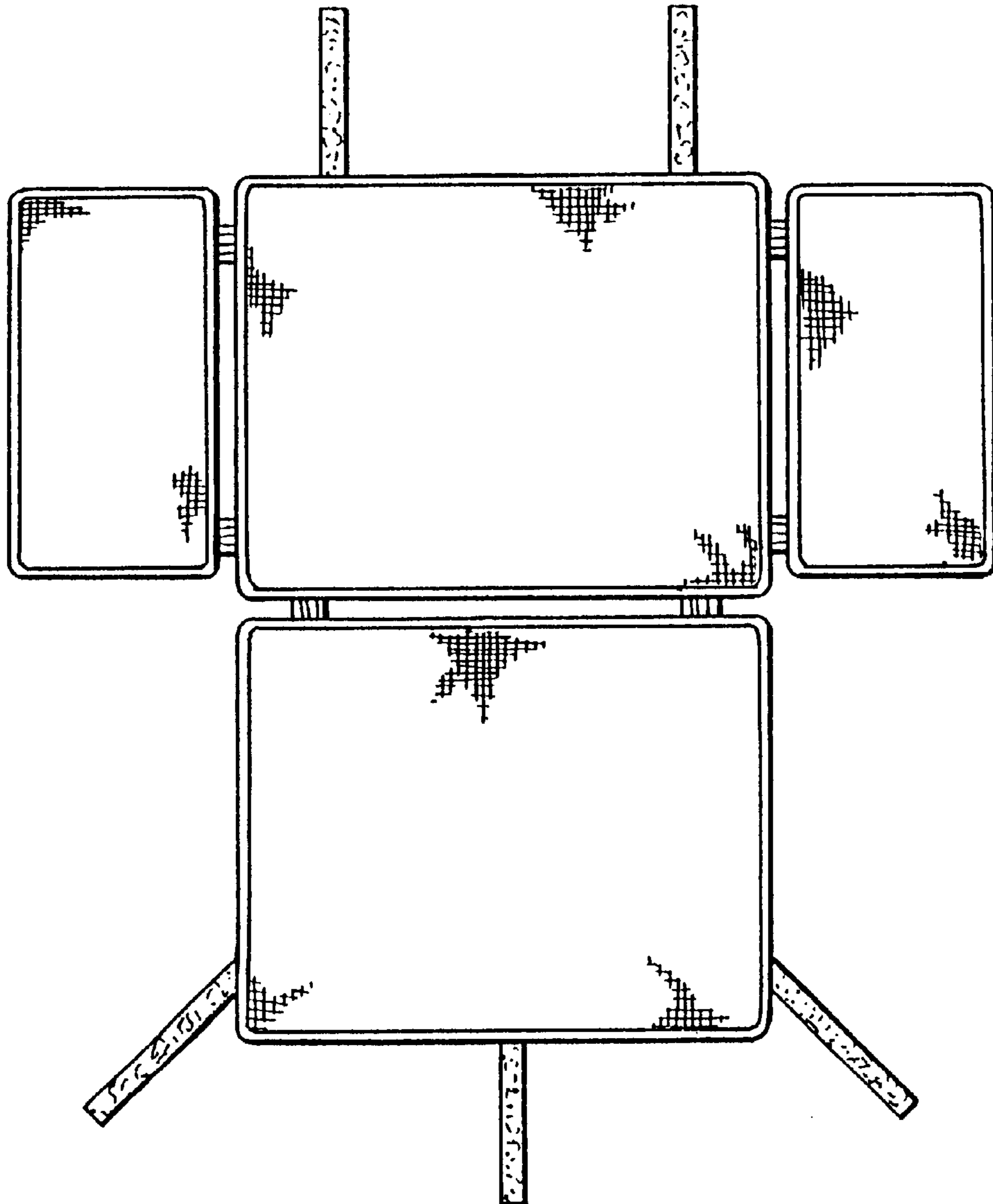
FIG. 1 is a front view of the stroller sun shade showing my new design in a fully extended condition; and, FIG. 2 is a folded view of FIG. 1.

(51) **LOC (7) Cl.** **12-12**

(52) **U.S. Cl.** **D12/133**

(58) **Field of Search** D12/128-133;
296/77.1, 111, 136; 135/88, 106

1 Claim, 1 Drawing Sheet



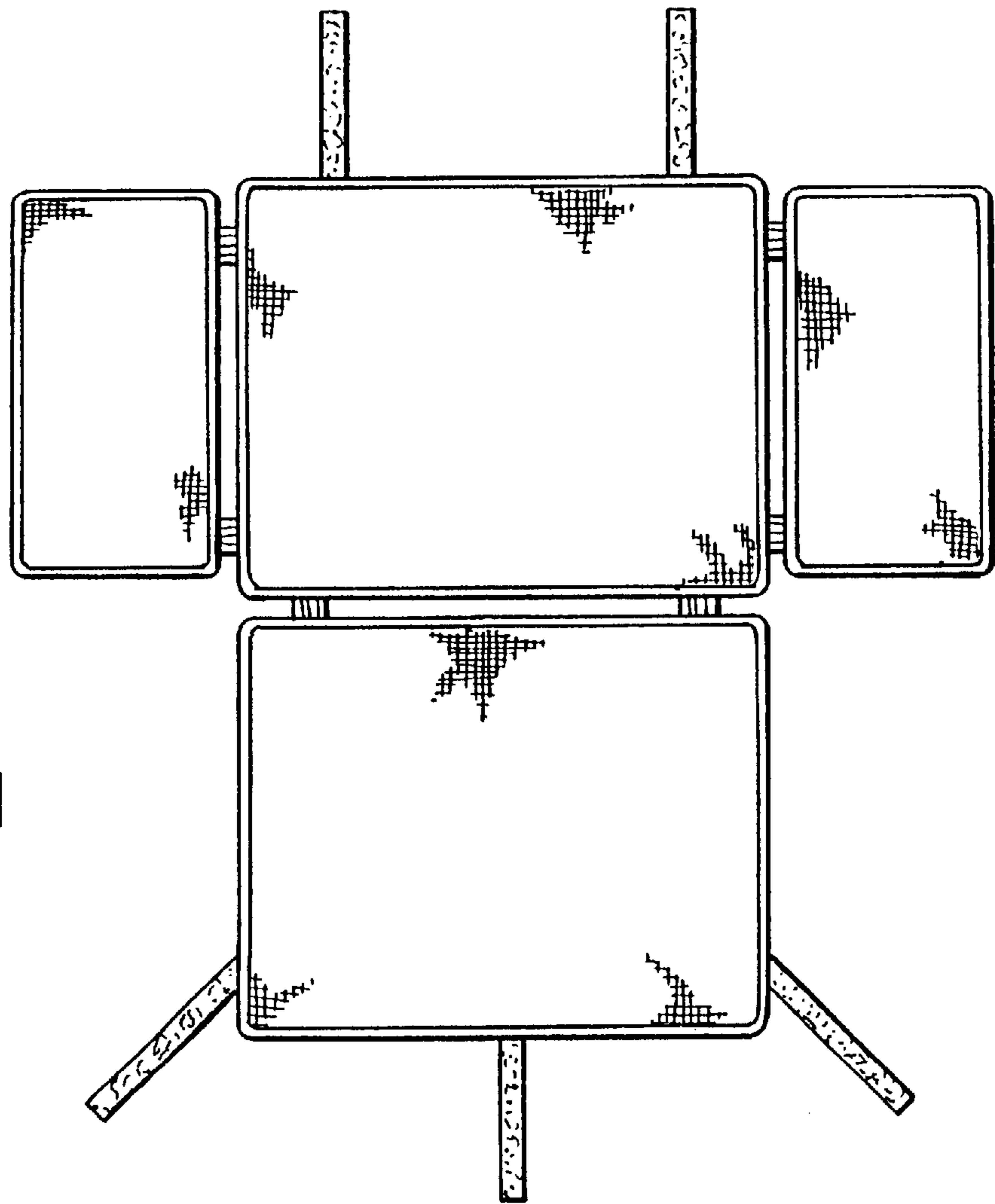


FIG. 1

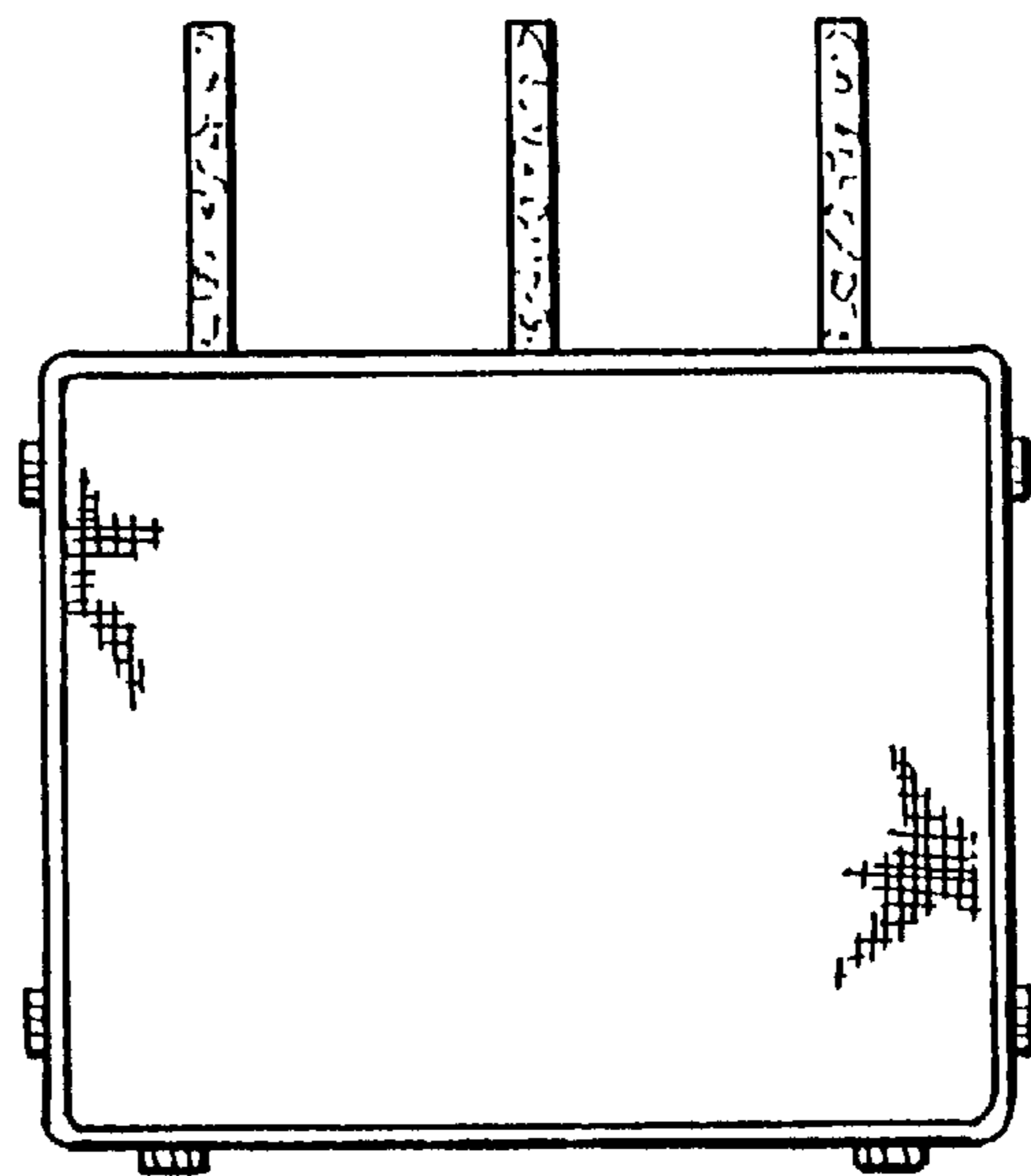


FIG. 2