



US00D451435B1

(12) **United States Design Patent**  
**Schlangen et al.**

(10) **Patent No.:** **US D451,435 S**

(45) **Date of Patent:** **\*\* Dec. 4, 2001**

(54) **MODULAR WHEELCHAIR**

(76) Inventors: **Phillip E. Schlangen**, 1920 S. First St.,  
No. 1601, Minneapolis, MN (US)  
55454; **Paul R. Lawson; William L.  
Eshleman**, both of 395 Ervin Industrial  
Dr., Jordan, MN (US) 55352

(\*\*) Term: **14 Years**

(21) Appl. No.: **29/142,029**

(22) Filed: **May 18, 2001**

(51) **LOC (7) Cl.** ..... **12-12**

(52) **U.S. Cl.** ..... **D12/131**

(58) **Field of Search** ..... D12/128-133;  
297/429; 280/250.1, 291, 304.1, 166

(56) **References Cited**

**U.S. PATENT DOCUMENTS**

- 4,989,920 \* 2/1991 Kauzlarich et al. .... D12/131
- 5,139,309 \* 8/1992 Kornreich ..... D12/131
- 5,186,480 \* 2/1993 Morgan et al. .... D12/131

\* cited by examiner

*Primary Examiner*—Marcus A. Jackson

(57) **CLAIM**

The ornamental design of a modular wheelchair, as shown and described.

**DESCRIPTION**

FIG. 1 is a perspective view of the modular wheelchair of our new design;  
 FIG. 2 is a top plan view thereof;  
 FIG. 3 is a front elevational view thereof;  
 FIG. 4 is a rear elevational view thereof;  
 FIG. 5 is a side elevational view of the right side thereof;  
 FIG. 6 is a side elevational view of the left side thereof;  
 FIG. 7 is a bottom plan view thereof;  
 FIG. 8 is a perspective view of a modification of the modular wheelchair of FIG. 1;  
 FIG. 9 is a top plan view of FIG. 8;  
 FIG. 10 is a front elevational view of FIG. 8;  
 FIG. 11 is a rear elevational view of FIG. 8;  
 FIG. 12 is a side elevational view of the right side of FIG. 8;  
 FIG. 13 is a side elevational view of the left side of FIG. 8;  
 and,  
 FIG. 14 is a bottom plan view of FIG. 8.

**1 Claim, 14 Drawing Sheets**

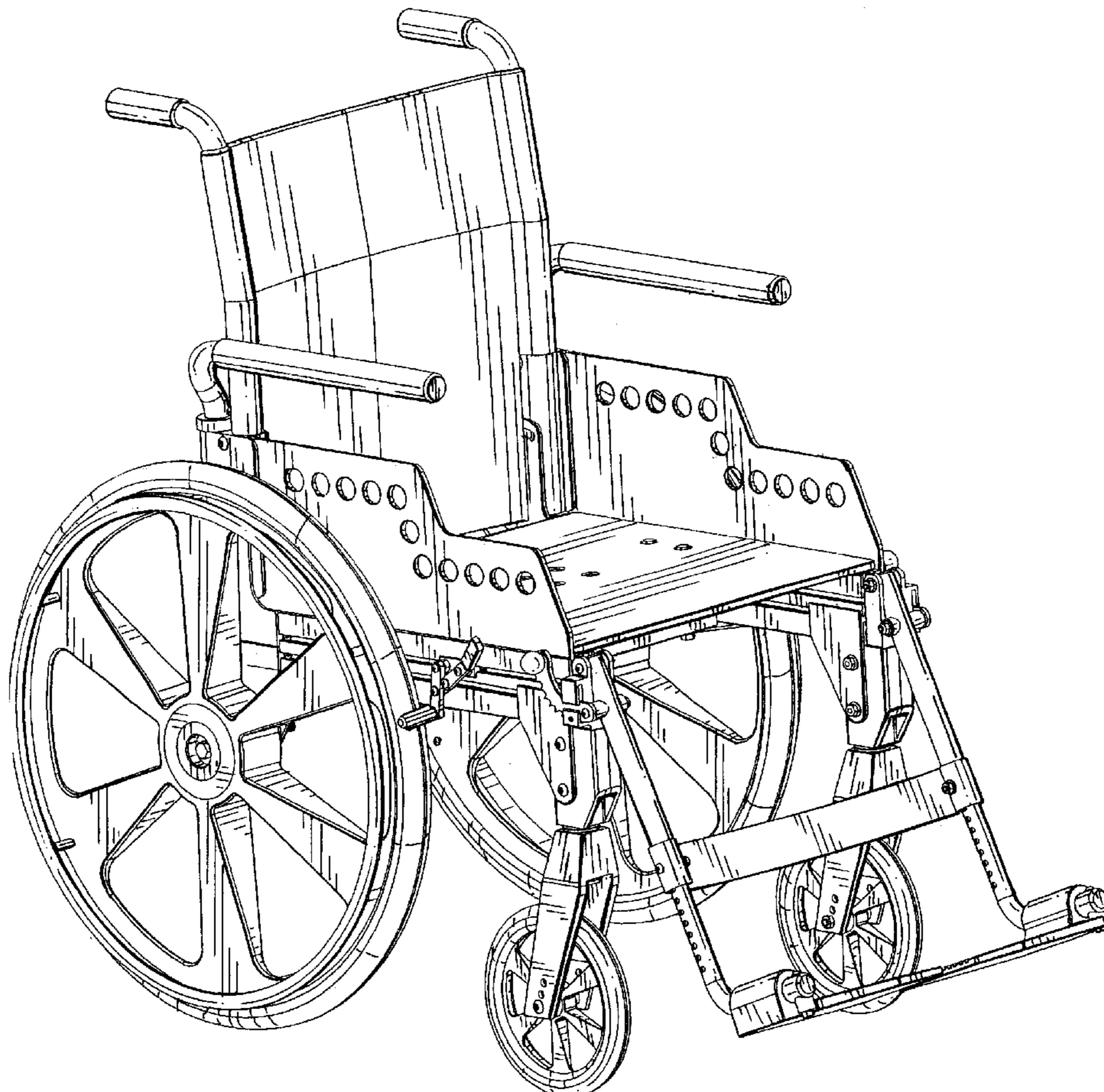


FIG. 1

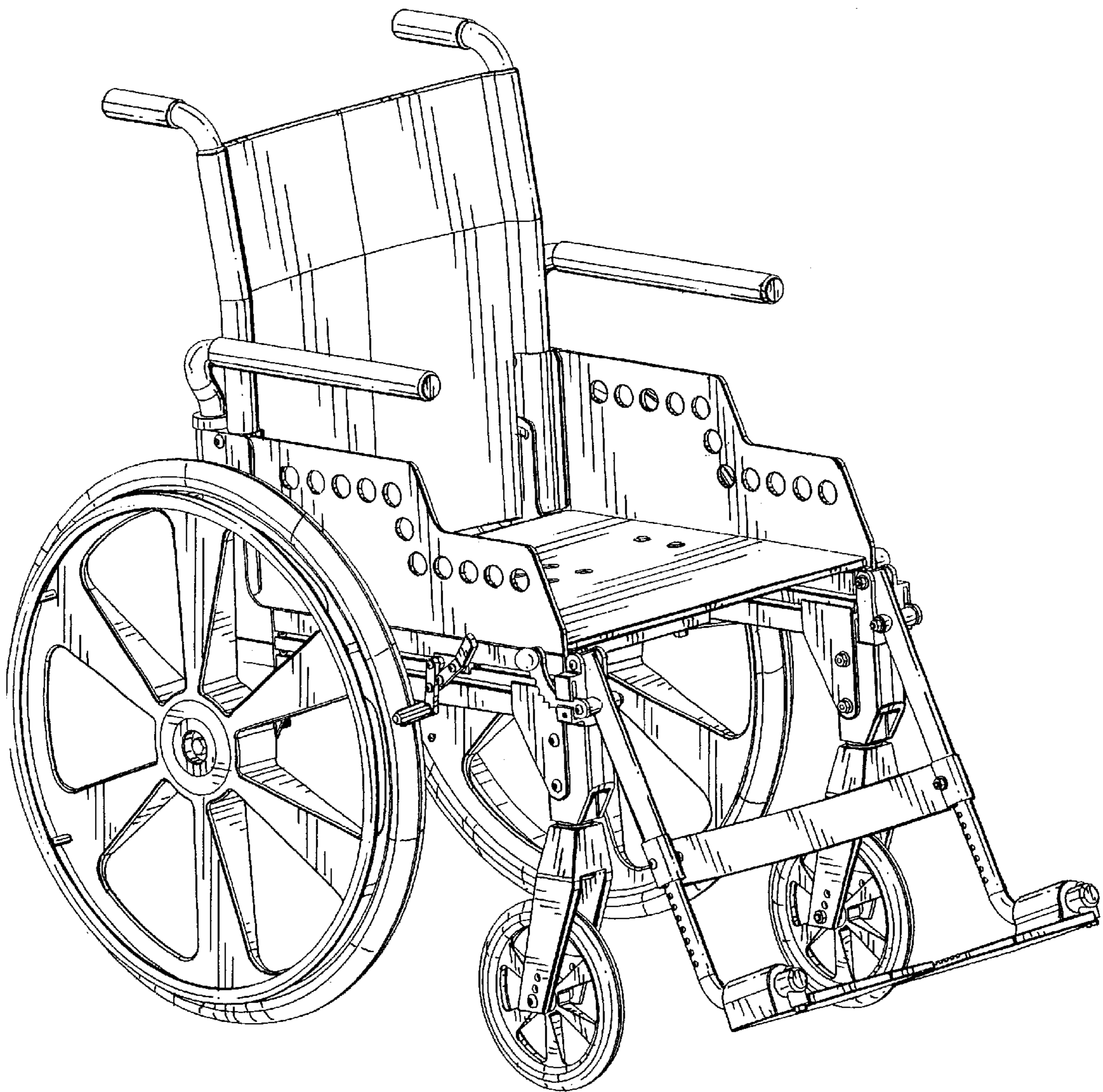


FIG. 2

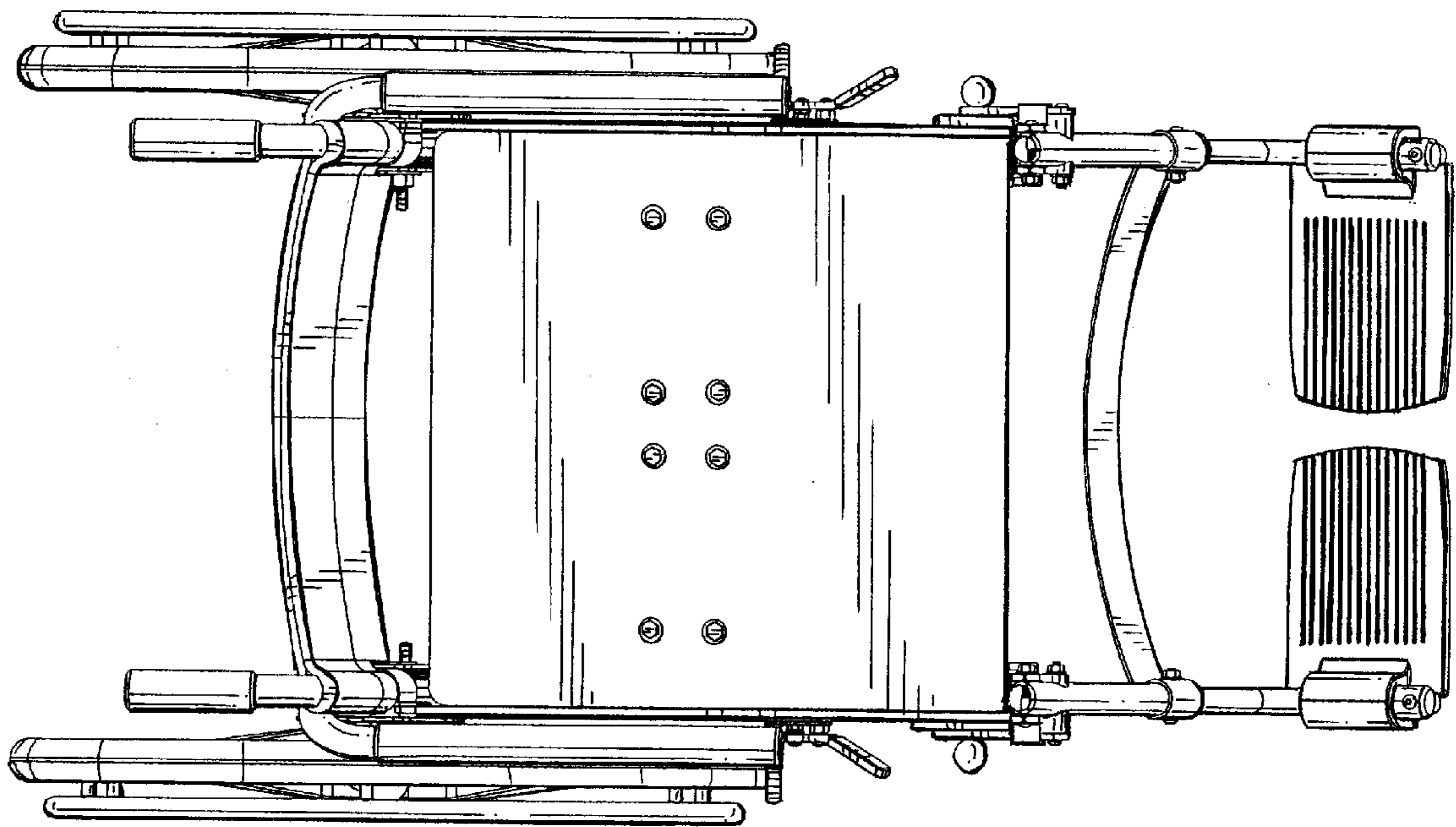


FIG. 3

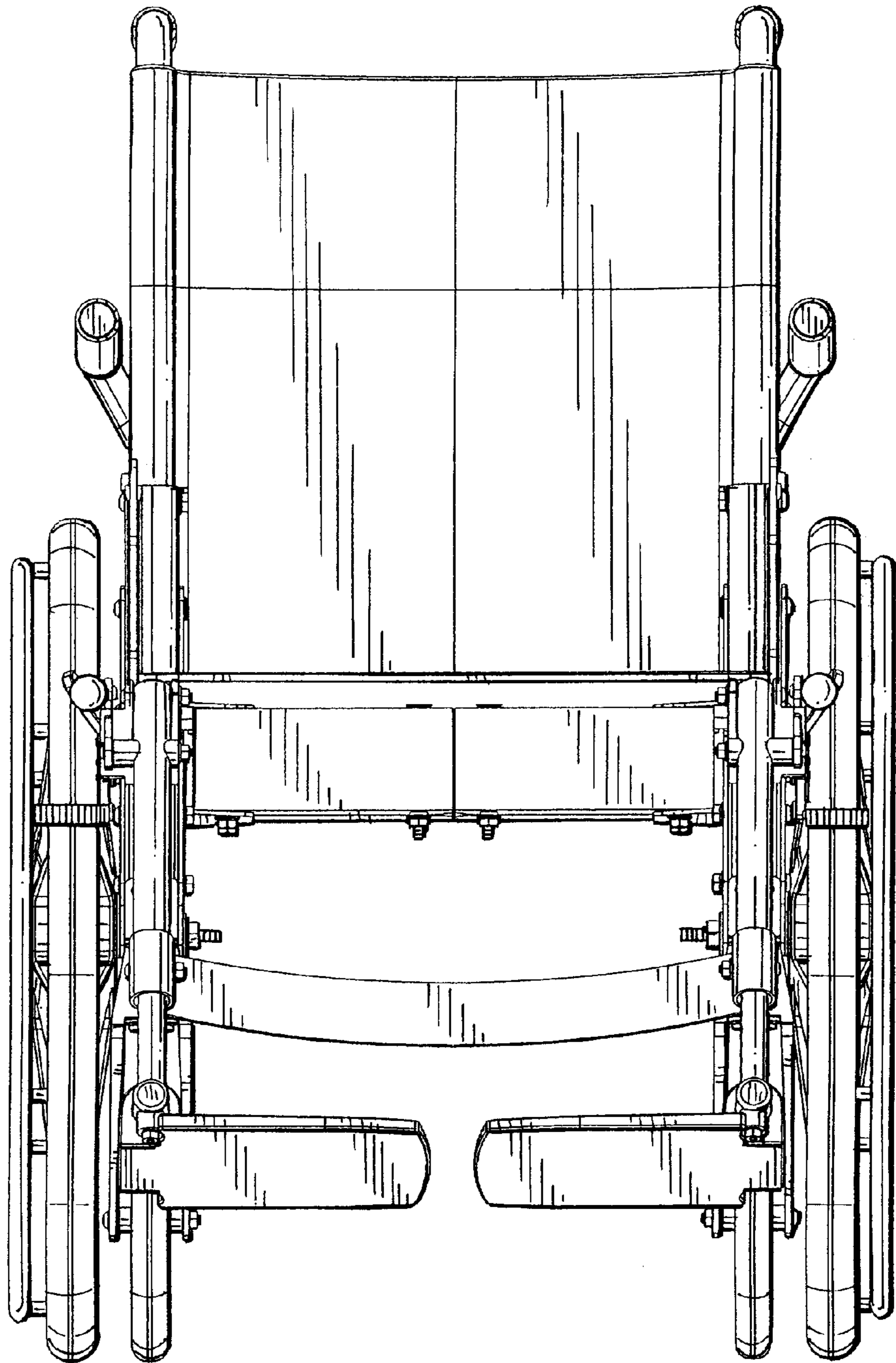


FIG. 4

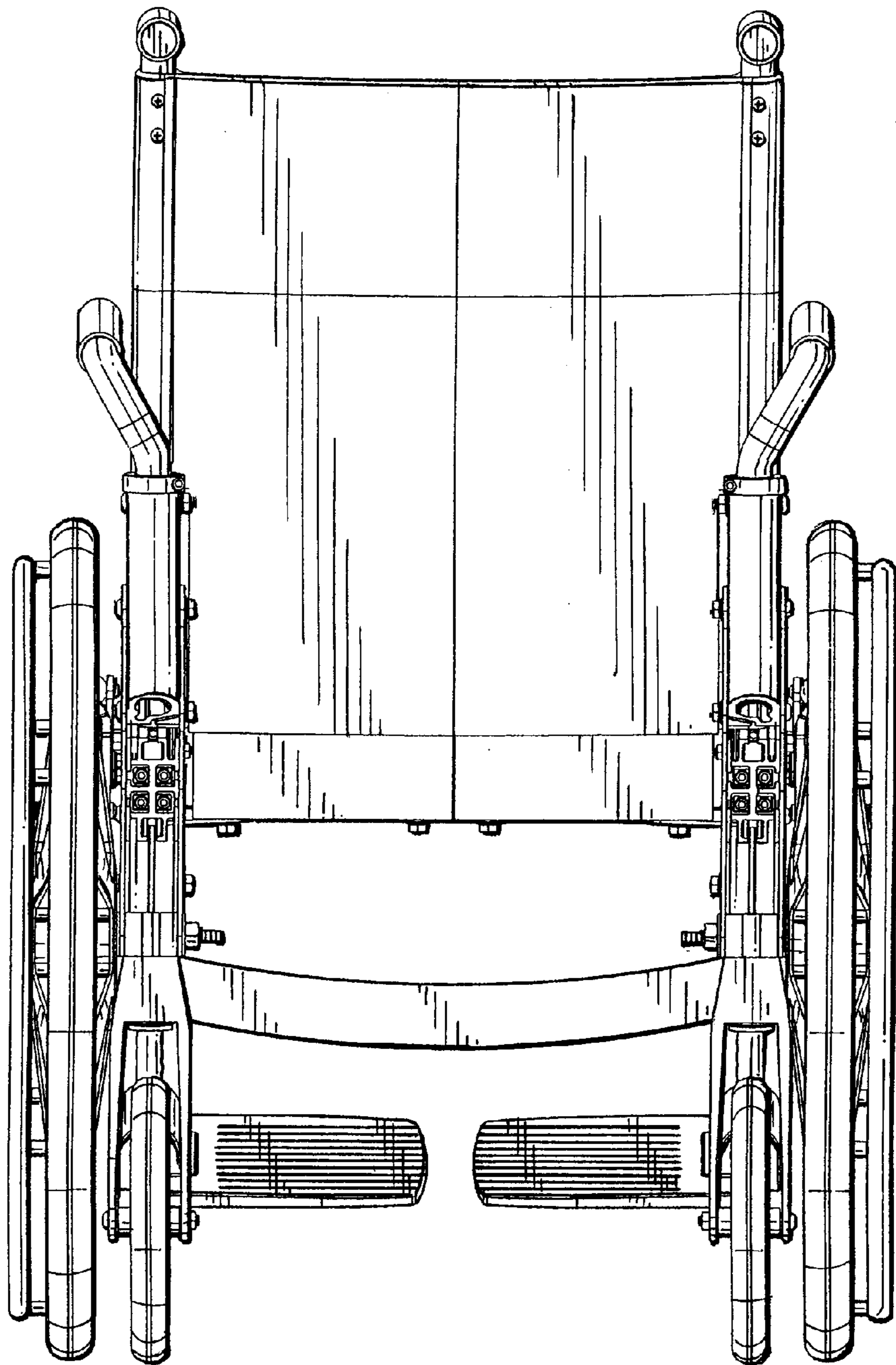


FIG. 5

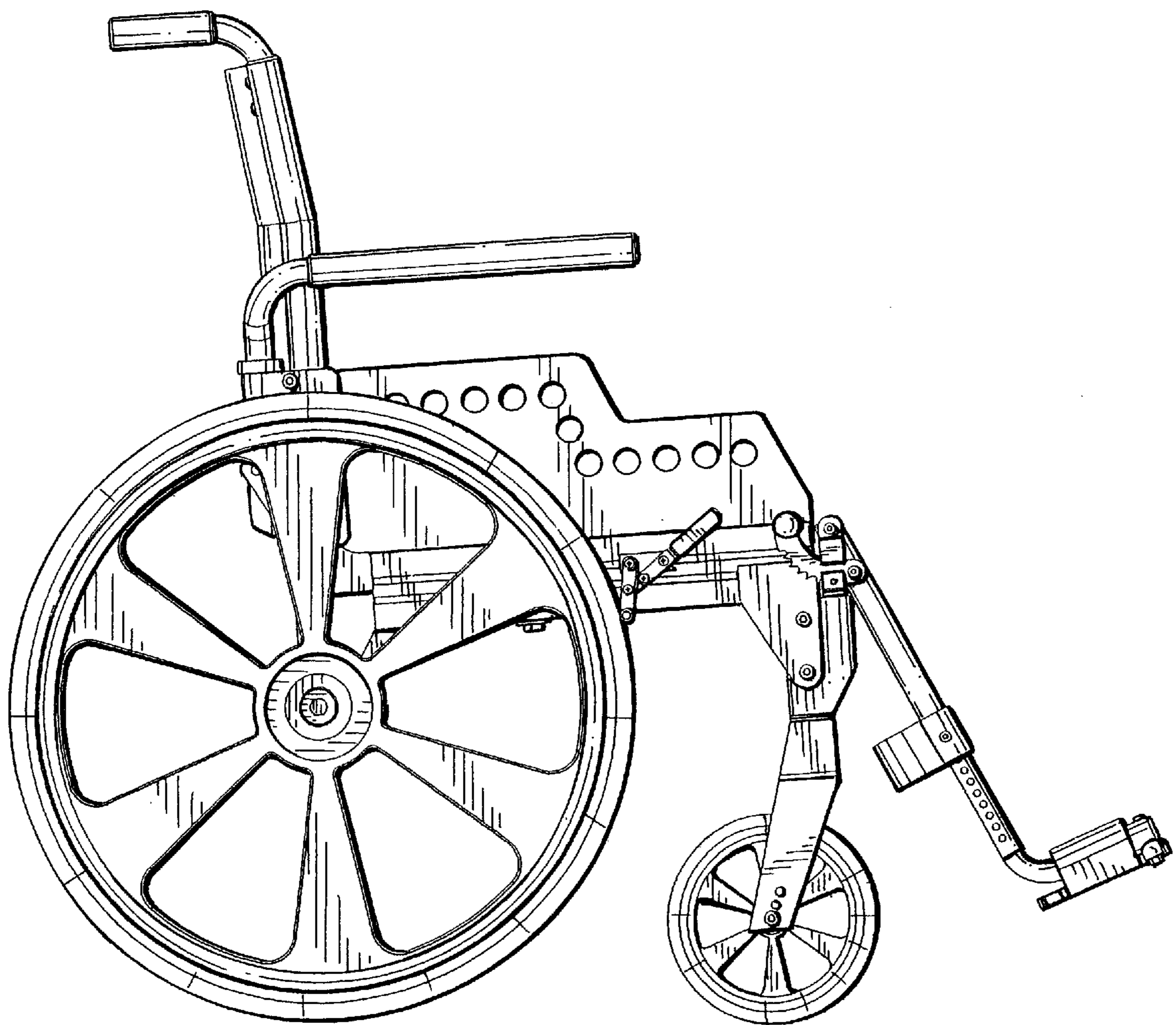


FIG. 6

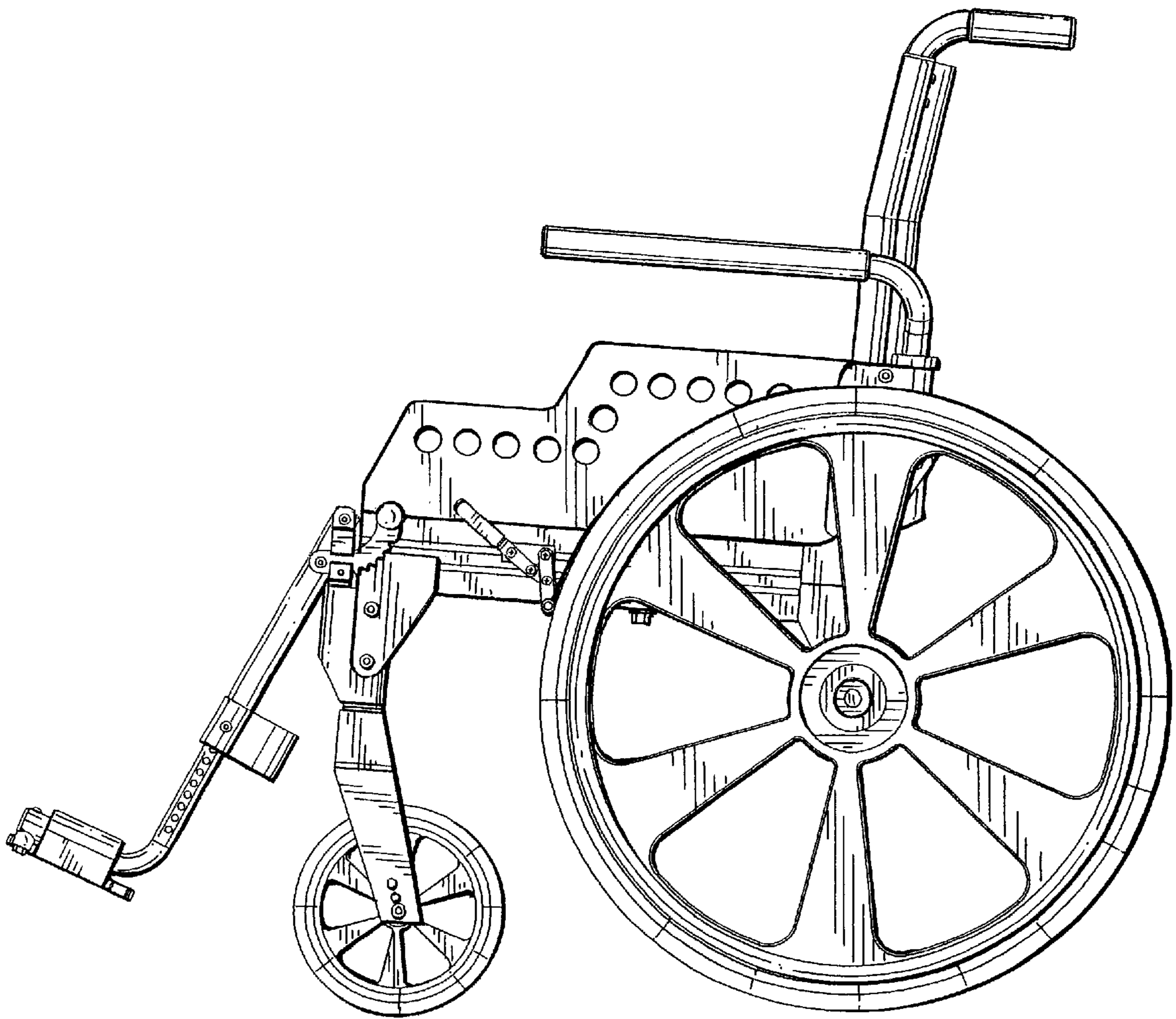


FIG. 7

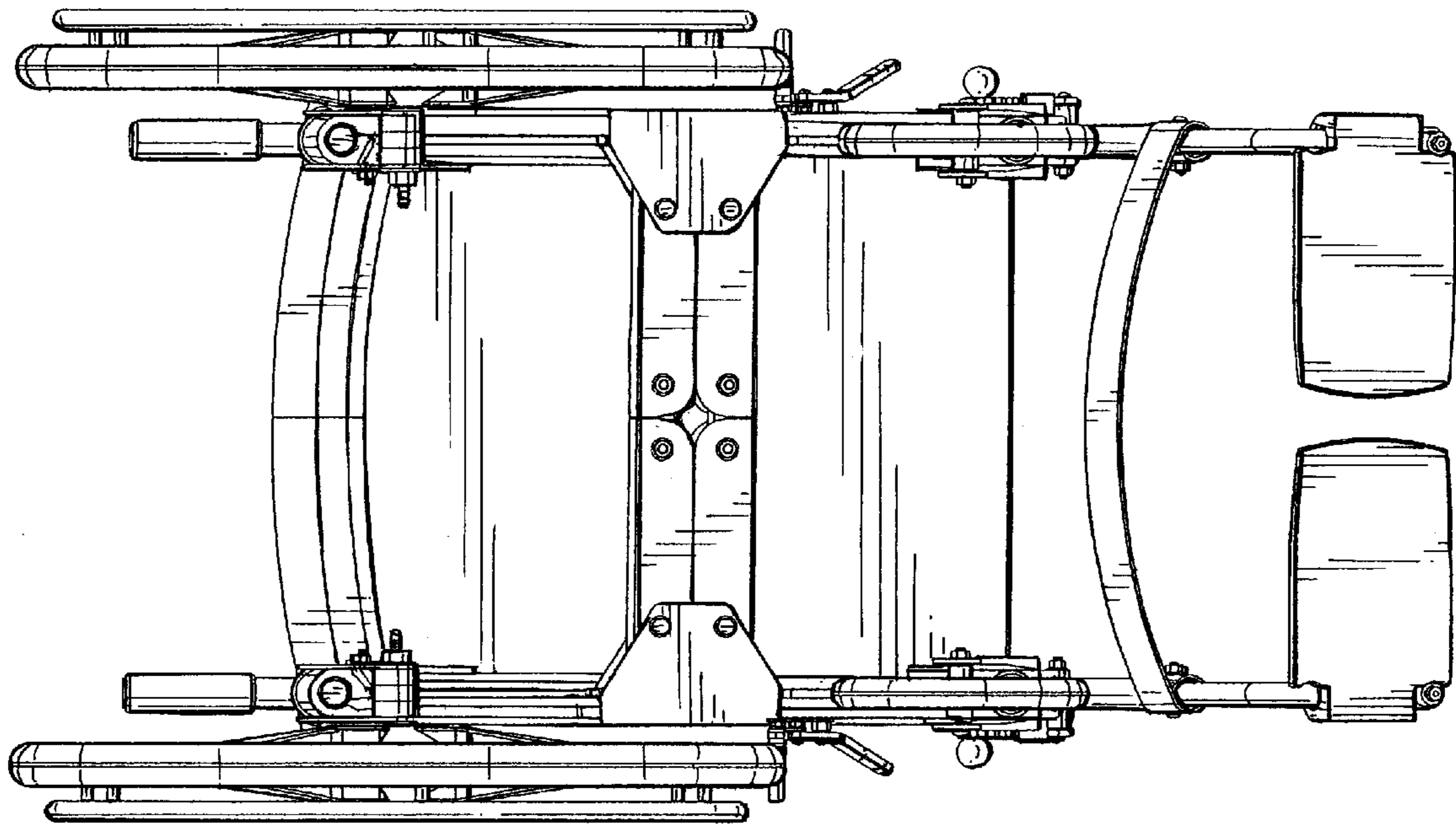




FIG. 8

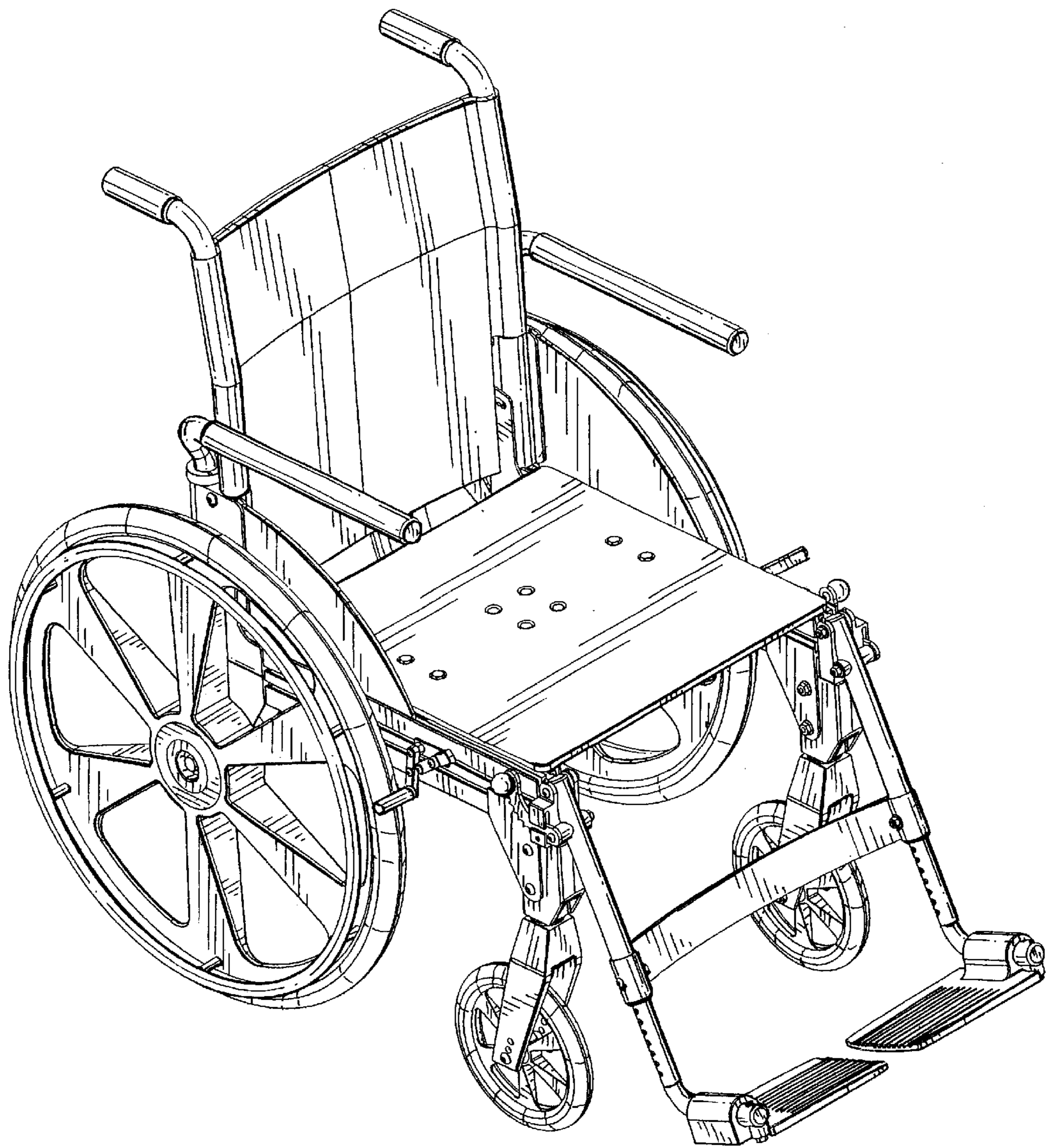


FIG. 9

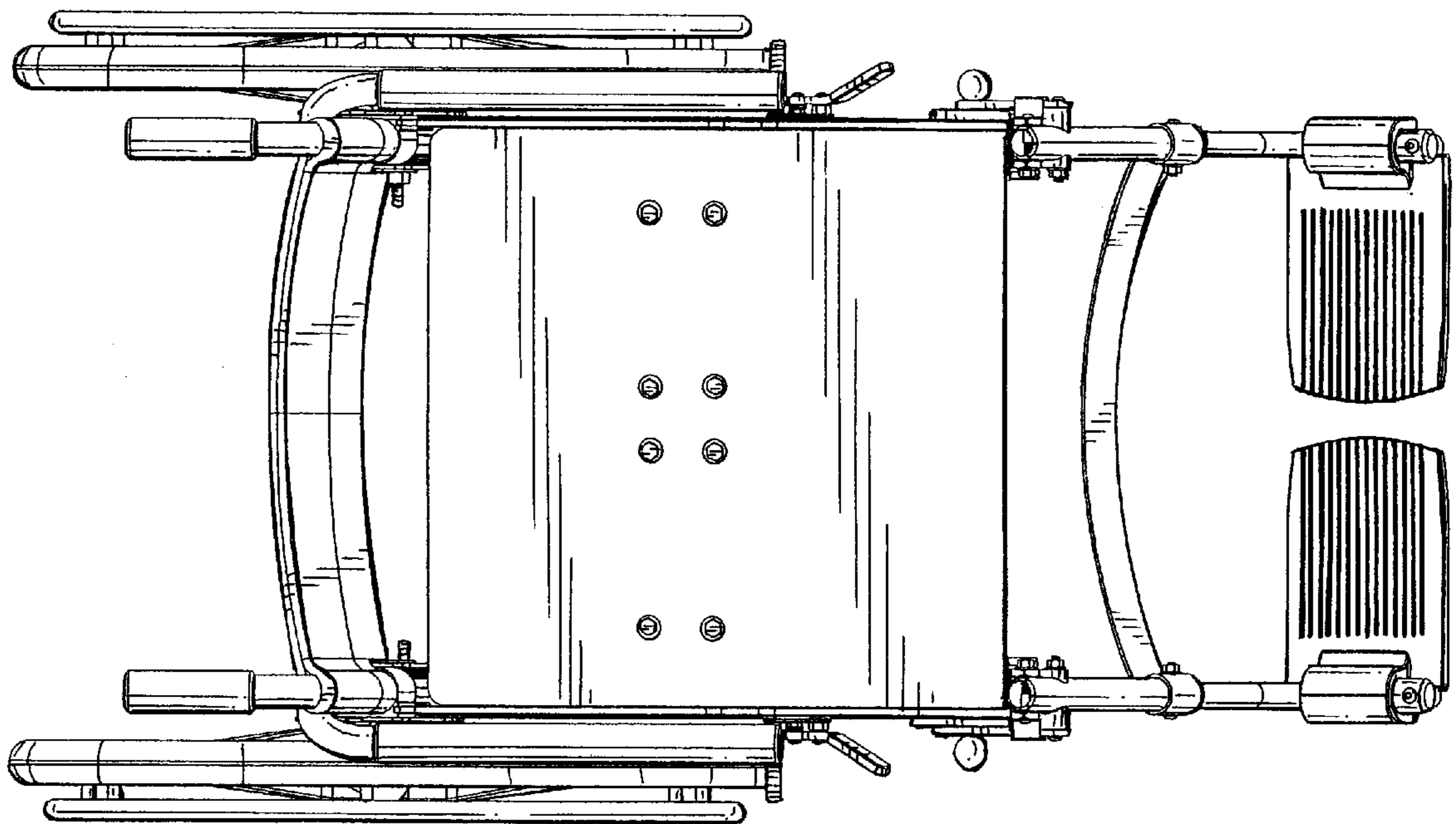


FIG. 10

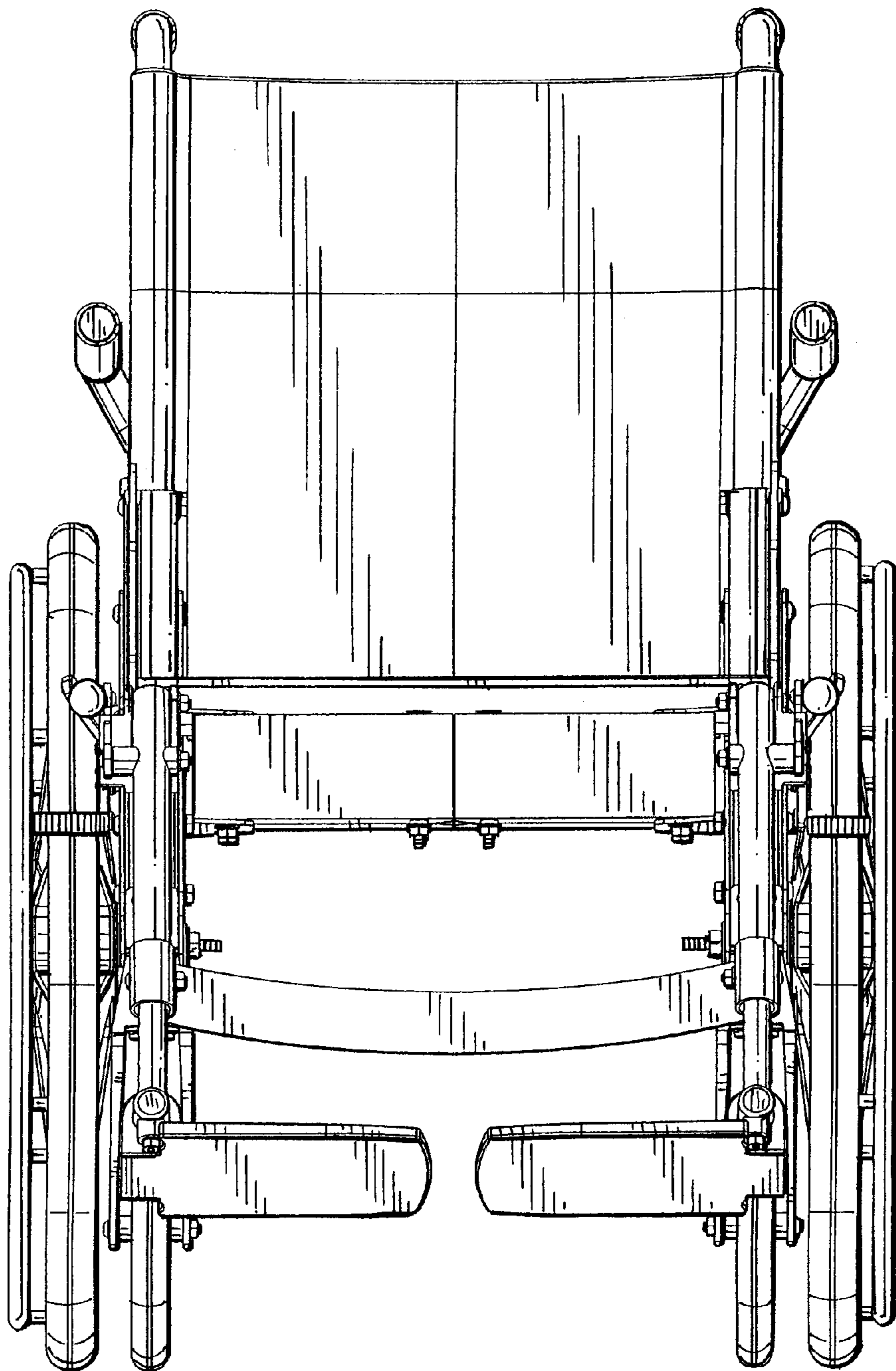


FIG. 11

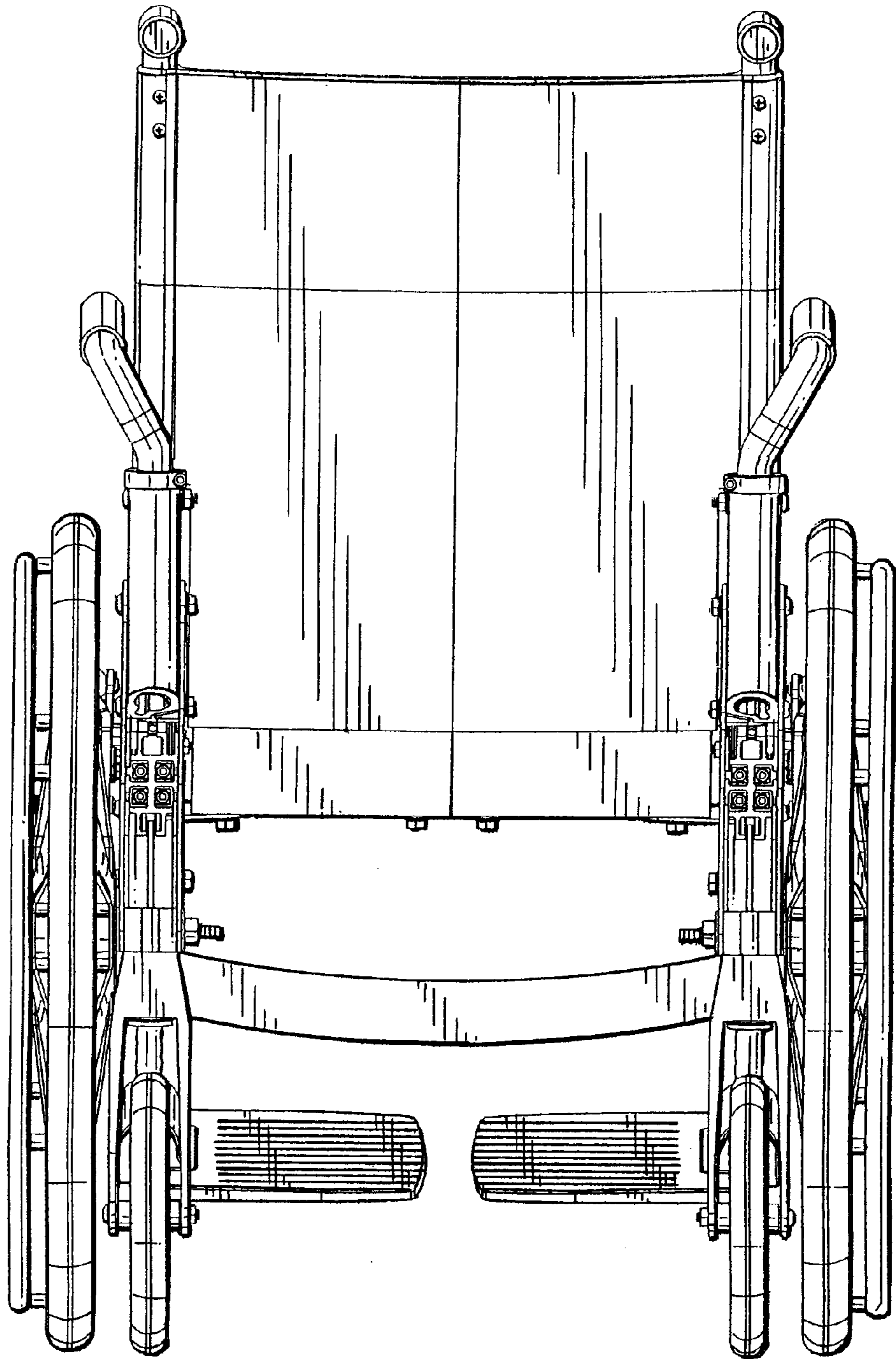


FIG. 12

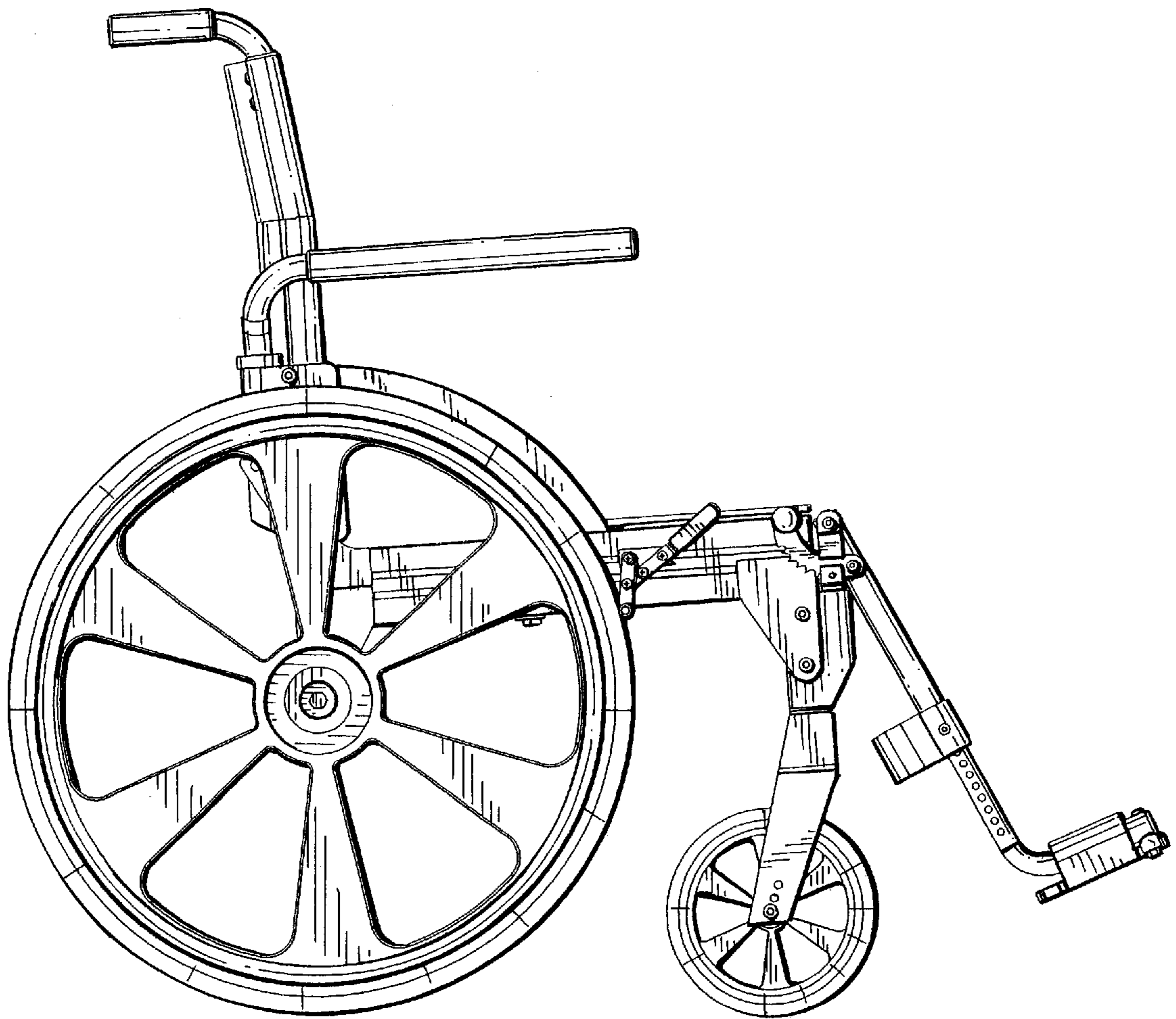


FIG. 13

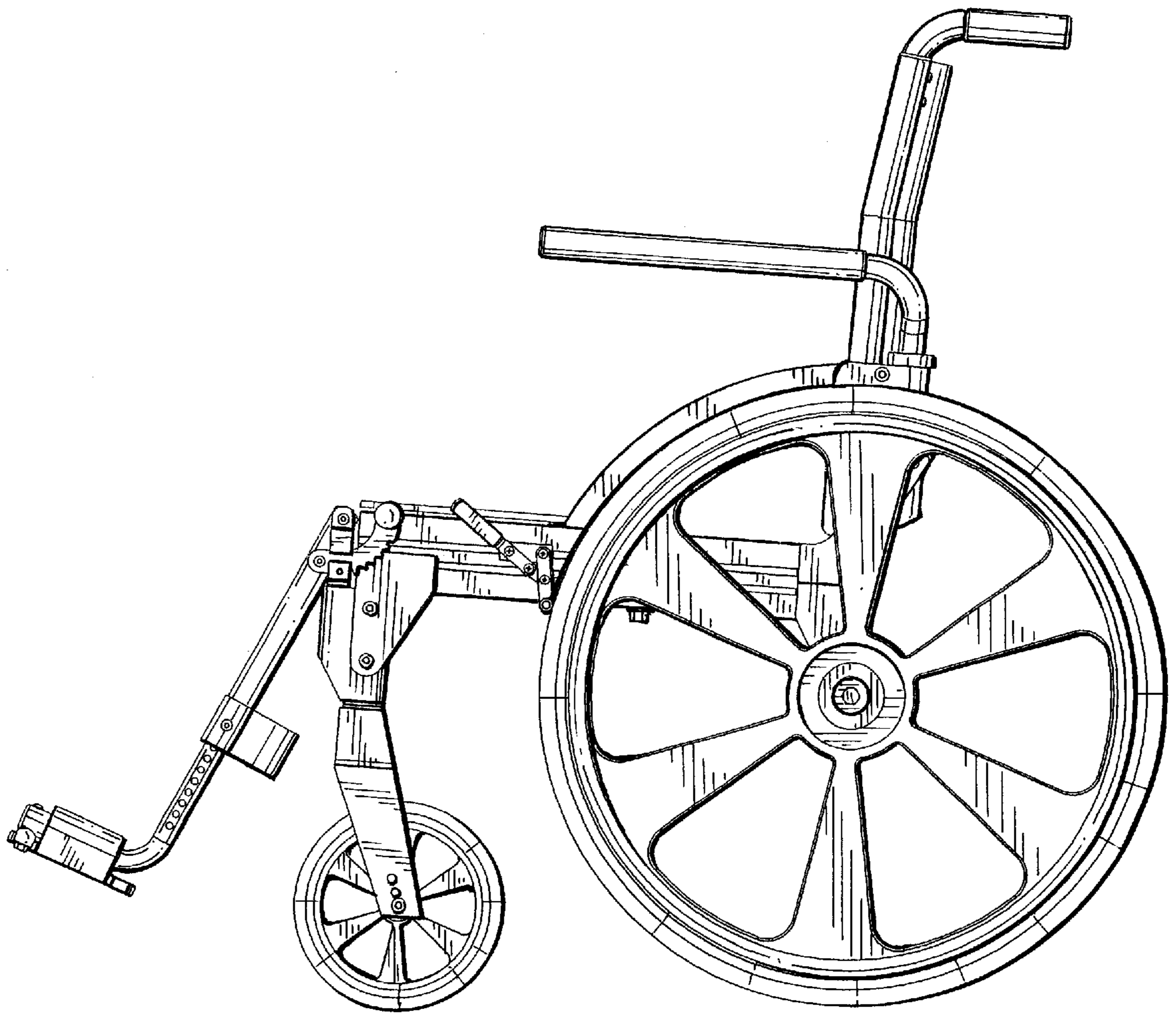


FIG. 14

