



US00D451433B1

(12) **United States Design Patent**
Kuncz et al.

(10) **Patent No.:** **US D451,433 S**

(45) **Date of Patent:** **** Dec. 4, 2001**

(54) **MOUNTAIN BICYCLE MONO-COQUE
FRAME, CHASSIS, AND SUSPENSION**

Primary Examiner—Alan P. Douglas
Assistant Examiner—Linda Brooks

(76) **Inventors:** **Ferenc Kuncz; Harold Kuncz; Igor O.
Kuncz**, all of 15464 SW. 114 St.,
Miami, FL (US) 33196

(57) **CLAIM**

The ornamental design for a mountain bicycle mono-coque
frame, chassis, and suspension, as show and described.

(**) **Term:** **14 Years**

DESCRIPTION

(21) **Appl. No.:** **29/130,935**

FIG. 1 is a left side elevation view of our present new design
of a mountain bicycle mono-coque frame, chassis, and
suspension, the classic bicycle parts and components show-
ing in broken lines in FIG. 1-2 is for illustrative purpose
only and forms no parts of the present description in our
novel ornamental design;

(22) **Filed:** **Oct. 10, 2000**

(51) **LOC (7) Cl.** **12-11**

(52) **U.S. Cl.** **D12/111**

(58) **Field of Search** D12/111; 280/281.1,
280/283-288.3

FIG. 2 is a right side elevation view thereof;

FIG. 3 is an enlarged front elevation view thereof;

FIG. 4 is an enlarged rear elevation view thereof,

FIG. 5 is a top view thereof; and,

FIG. 6 is a bottom view thereof.

(56) **References Cited**

U.S. PATENT DOCUMENTS

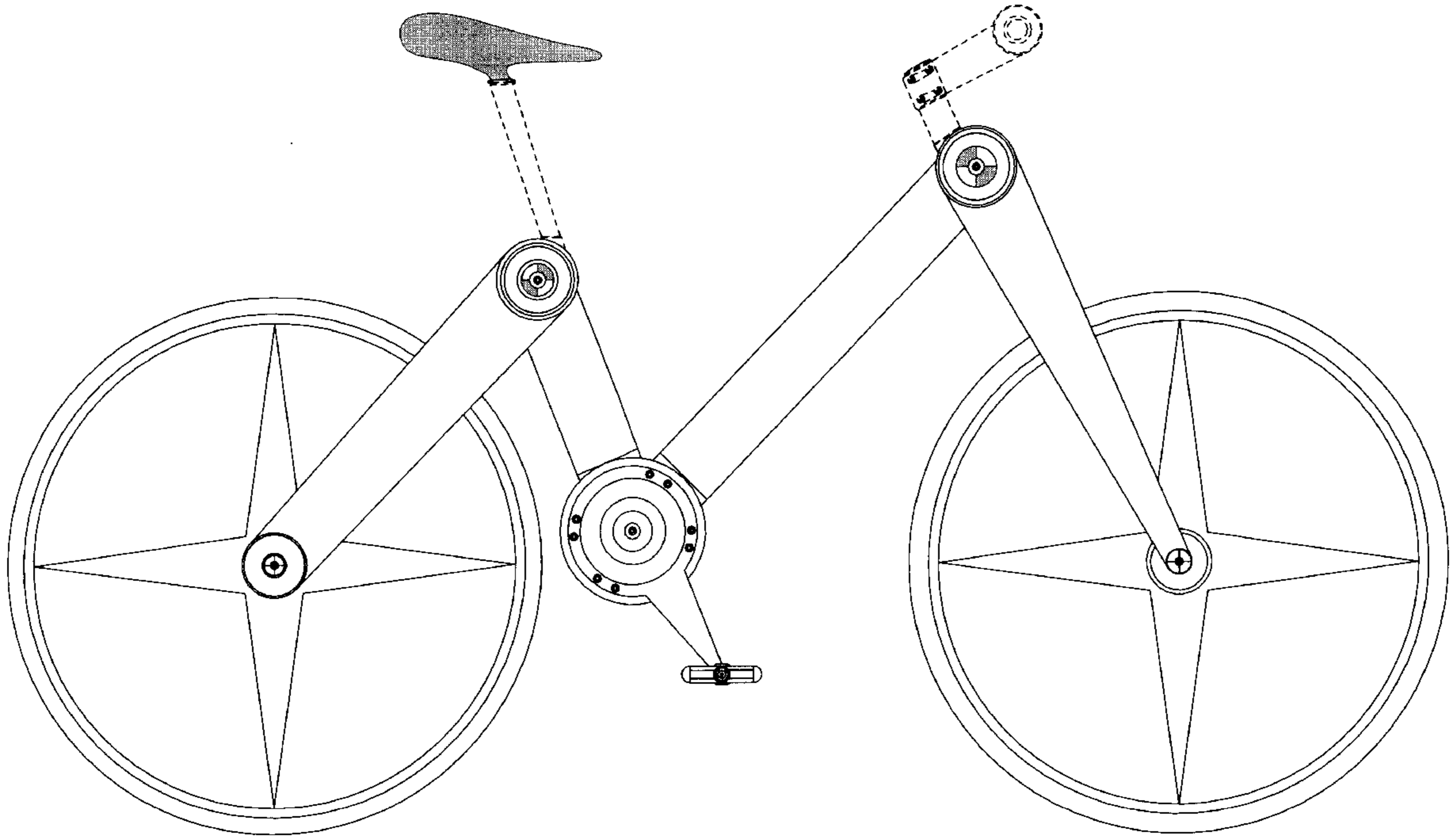
5,390,947 * 2/1995 Pong et al. 280/286

5,413,368 * 5/1995 Pong et al. 280/277

5,451,071 * 9/1995 Pong et al. 280/281.1

* cited by examiner

1 Claim, 6 Drawing Sheets



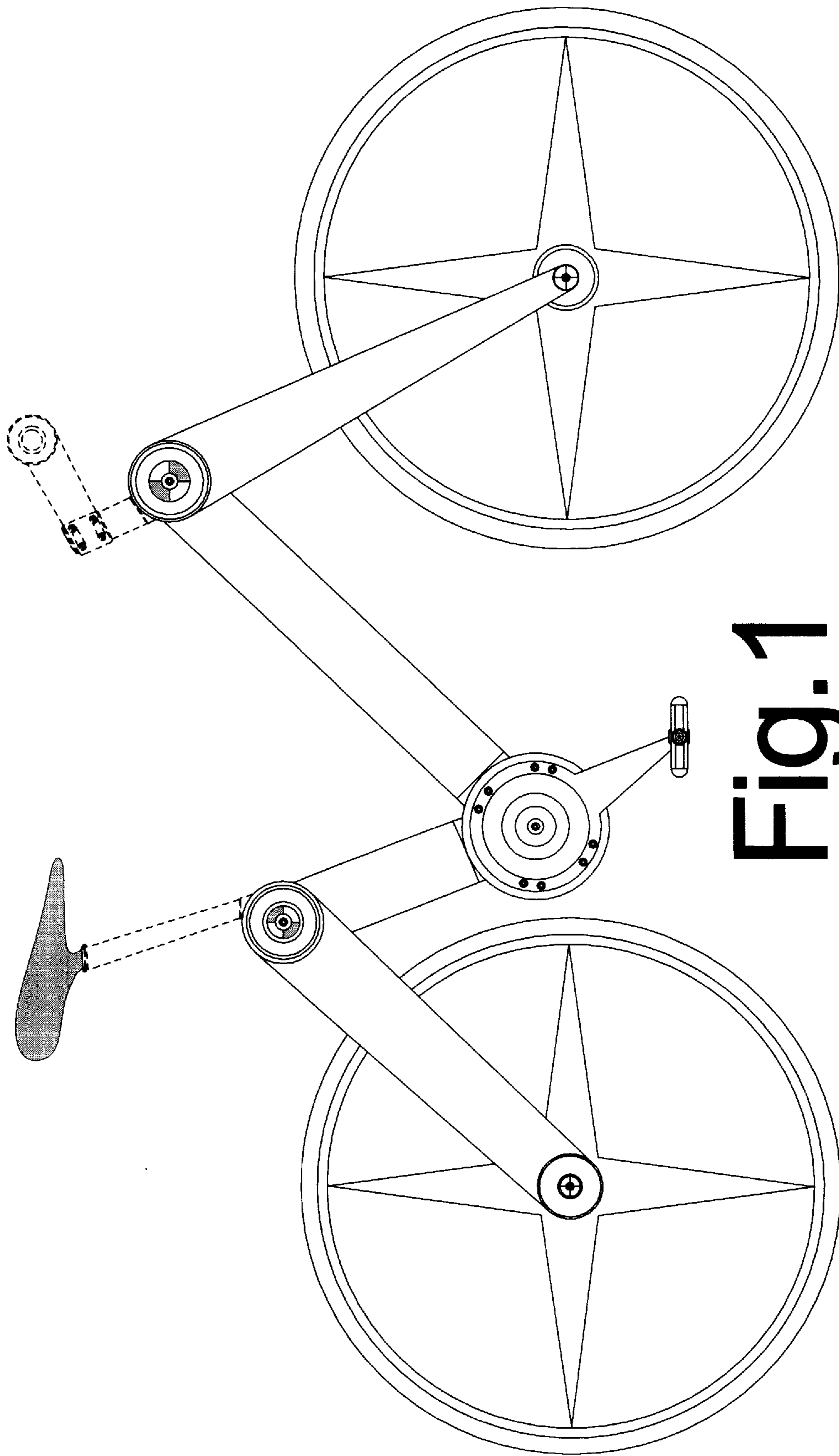


Fig. 1

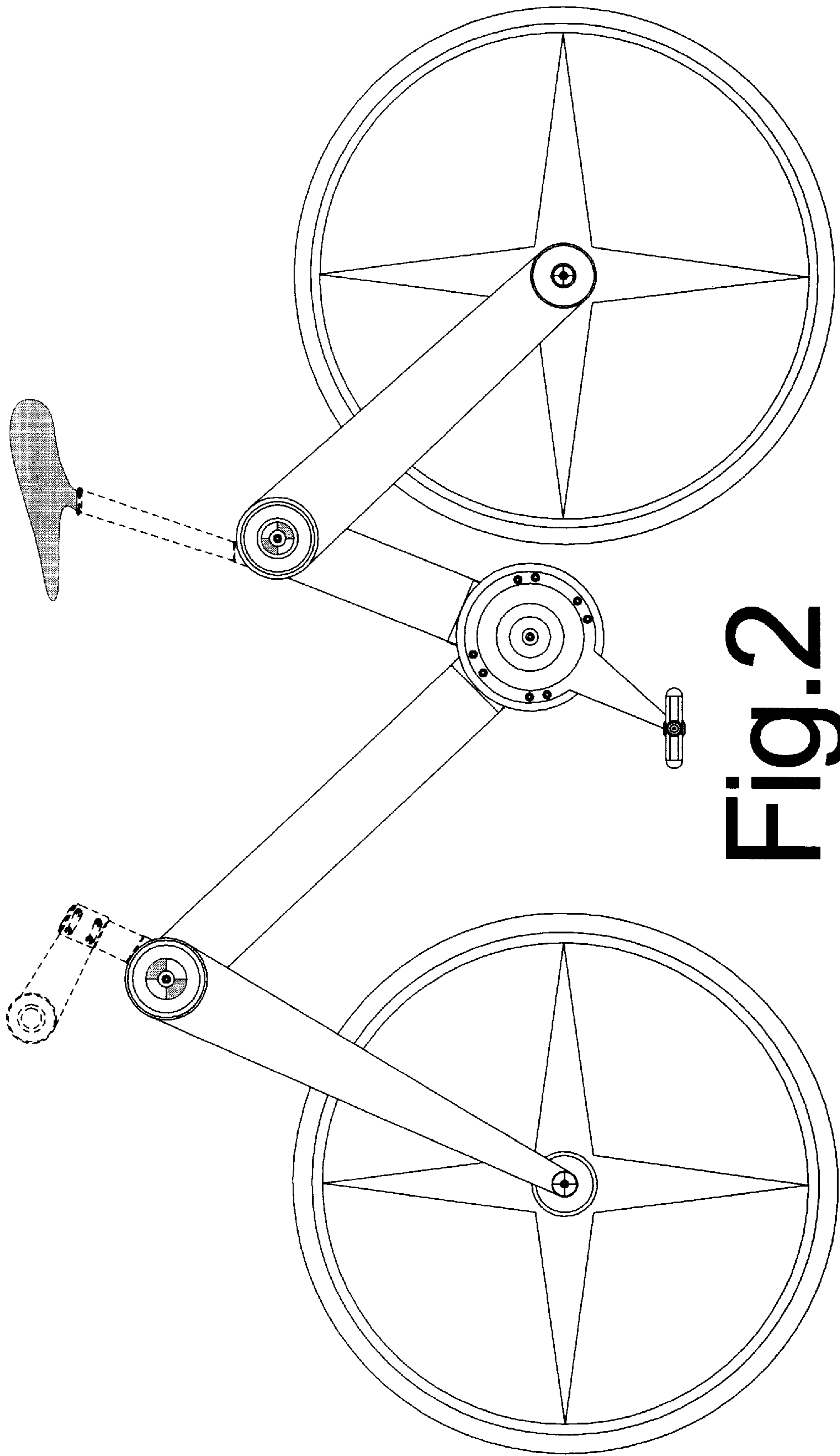


Fig. 2

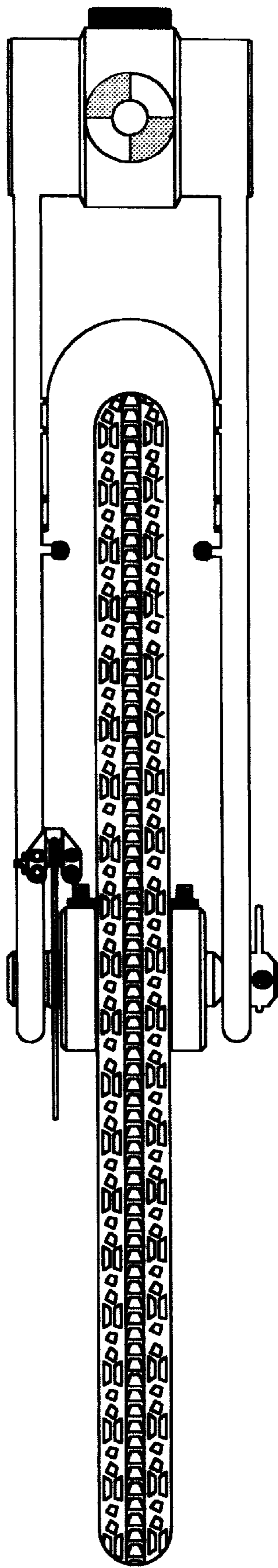


Fig. 3

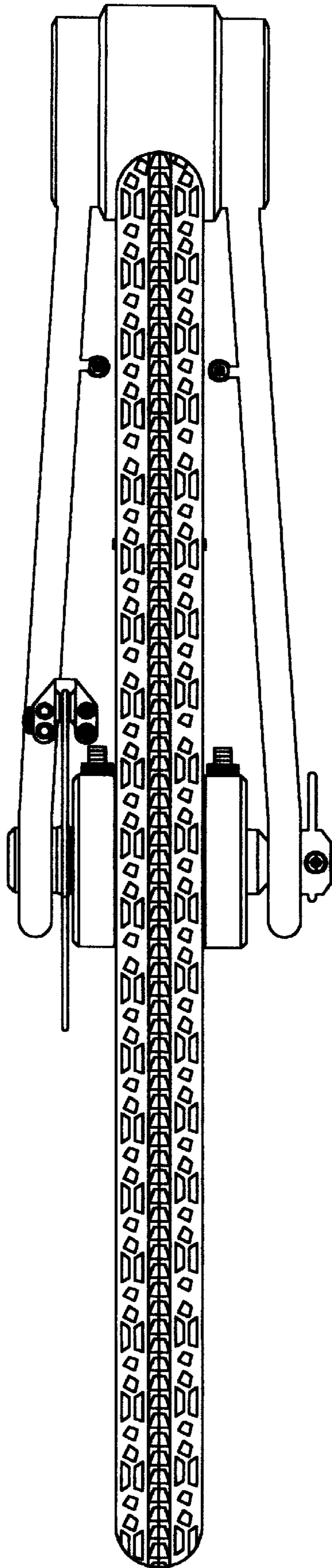


Fig.4

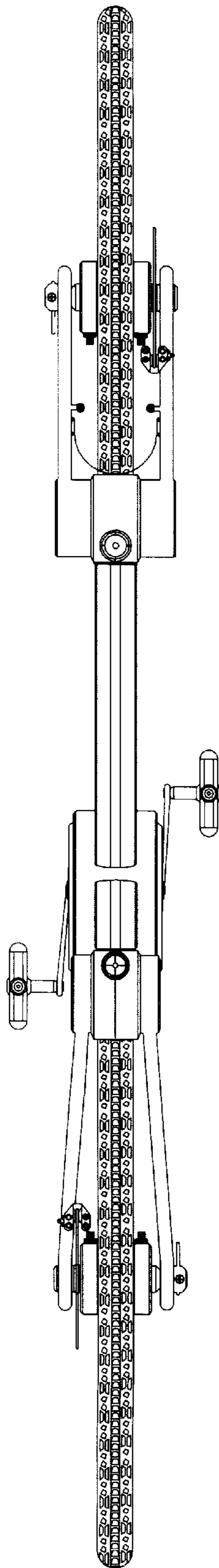


Fig.5

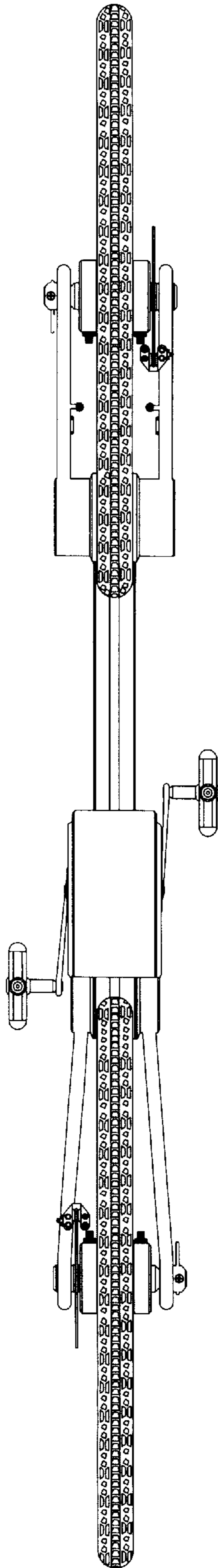


Fig.6