



US00D451422B1

(12) **United States Design Patent**
Wenrich

(10) **Patent No.:** **US D451,422 S**

(45) **Date of Patent:** **** Dec. 4, 2001**

(54) **RING INCORPORATING A COMPARTMENT FOR A PILL**

(76) **Inventor:** **Florence E. Wenrich**, P.O. Box 1312,
Mechanicsburg, PA (US) 17055

(**) **Term:** **14 Years**

(21) **Appl. No.:** **29/135,083**

(22) **Filed:** **Jan. 4, 2001**

(51) **LOC (7) Cl.** **11-01**

(52) **U.S. Cl.** **D11/26; D9/309; D3/215**

(58) **Field of Search** **D11/26-39, 3.4,**
D11/2, 3; 63/15, 15.1, 15.2, 15.3, 15.4,
15.45, 15.5, 15.6, 15.65, 15.7, 15.8, 15.9,
26-28; D3/203, 271, 215; D9/339, 307,
319; D28/77, 79, 82; 206/528

(56) **References Cited**

U.S. PATENT DOCUMENTS

D. 65,543	*	9/1924	Shimp	D11/35
D. 96,526	*	8/1935	Balf	D11/35
D. 121,483	*	7/1940	Silverman	D11/35
D. 152,486	*	1/1949	Lorillard	D11/26
D. 159,495	*	8/1950	Linden	D11/2
D. 215,332	*	9/1969	Libby	D11/35
D. 232,965	*	9/1974	Atwell	D11/35
292,963	*	2/1884	Thie	63/15
D. 334,001	*	3/1993	Muse	D11/30

D. 388,010	*	12/1997	Scheufele	D11/26
D. 429,383	*	8/2000	Thorpe	D28/77
D. 434,995	*	12/2000	Harkness	D11/26
D. 434,996	*	12/2000	Harkness	D11/26
D. 435,939	*	1/2001	Thorpe et al.	D28/77
D. 444,408	*	7/2001	Goulett Mauboussin	D11/26
774,700	*	11/1904	Schmidt	D11/30
1,288,691	*	12/1918	Schafer	D11/26
2,138,640	*	11/1938	Levy	D11/27
2,530,291	*	11/1950	Conway et al.	D11/26
3,307,375	*	3/1967	Estrin et al.	D11/26
3,900,018	*	8/1975	Piunno	D11/26

* cited by examiner

Primary Examiner—Cathy Anne MacCormac

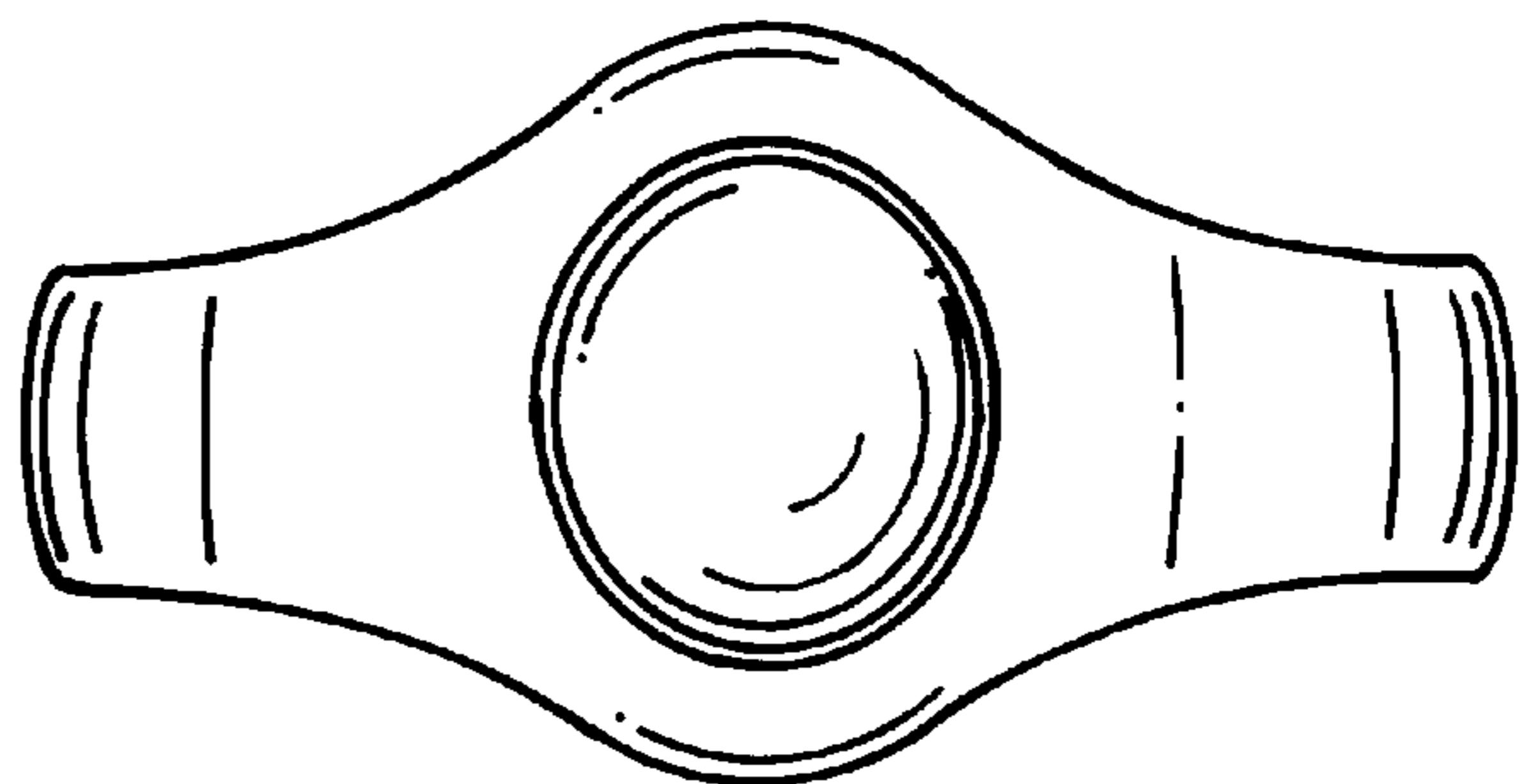
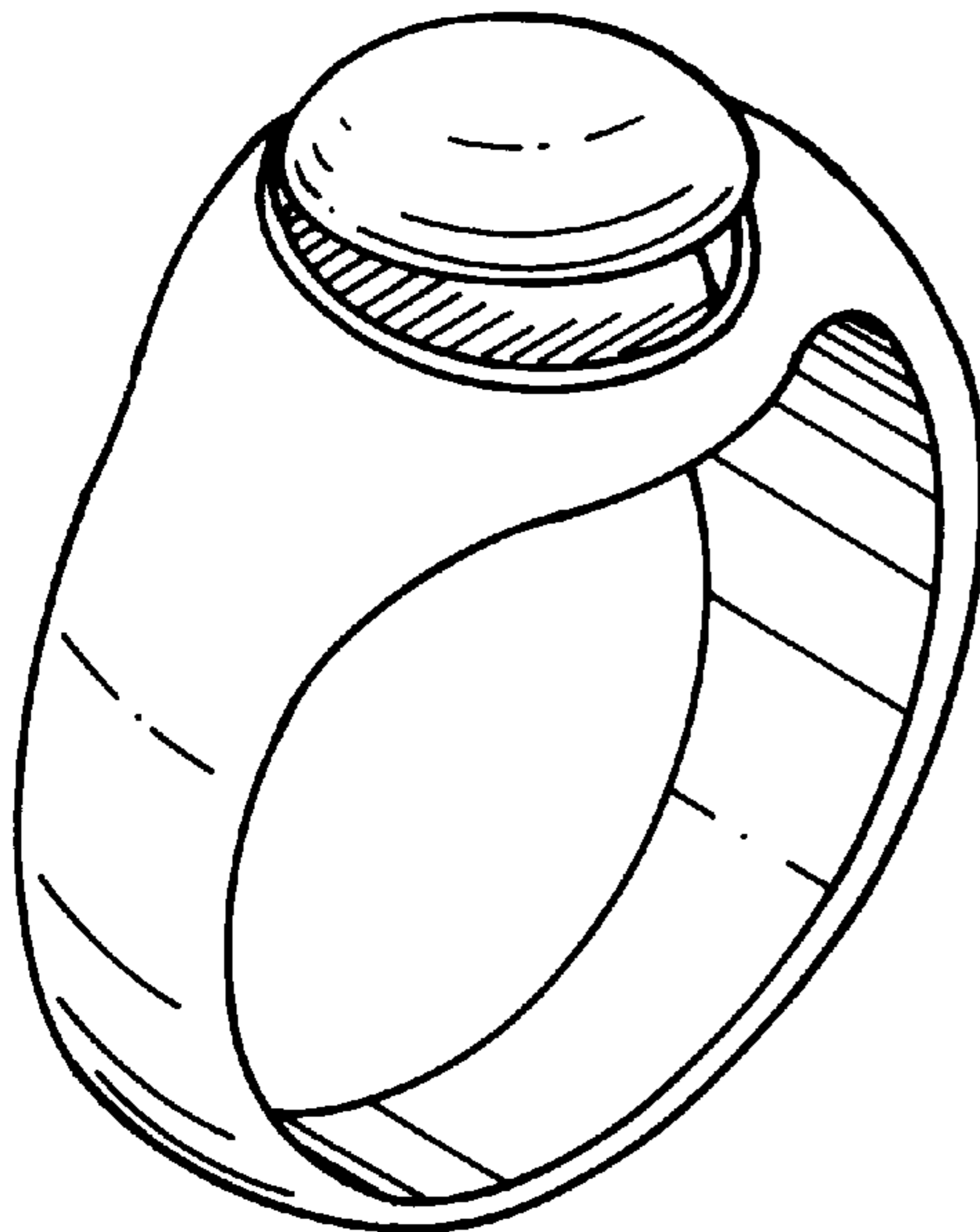
(57) **CLAIM**

I claim the ornamental design for a ring incorporating a compartment for a pill, as shown and described.

DESCRIPTION

FIG. 1 is a perspective view of a ring incorporating a compartment for a pill, showing my new design; FIG. 2 is a front elevational view thereof, the rear elevational view being a mirror image of this Figure; FIG. 3 is a left side elevational view thereof; the right side elevational view being a mirror image of this Figure; FIG. 4 is a top plan view thereof; and, FIG. 5 is a bottom plan view thereof.

1 Claim, 2 Drawing Sheets



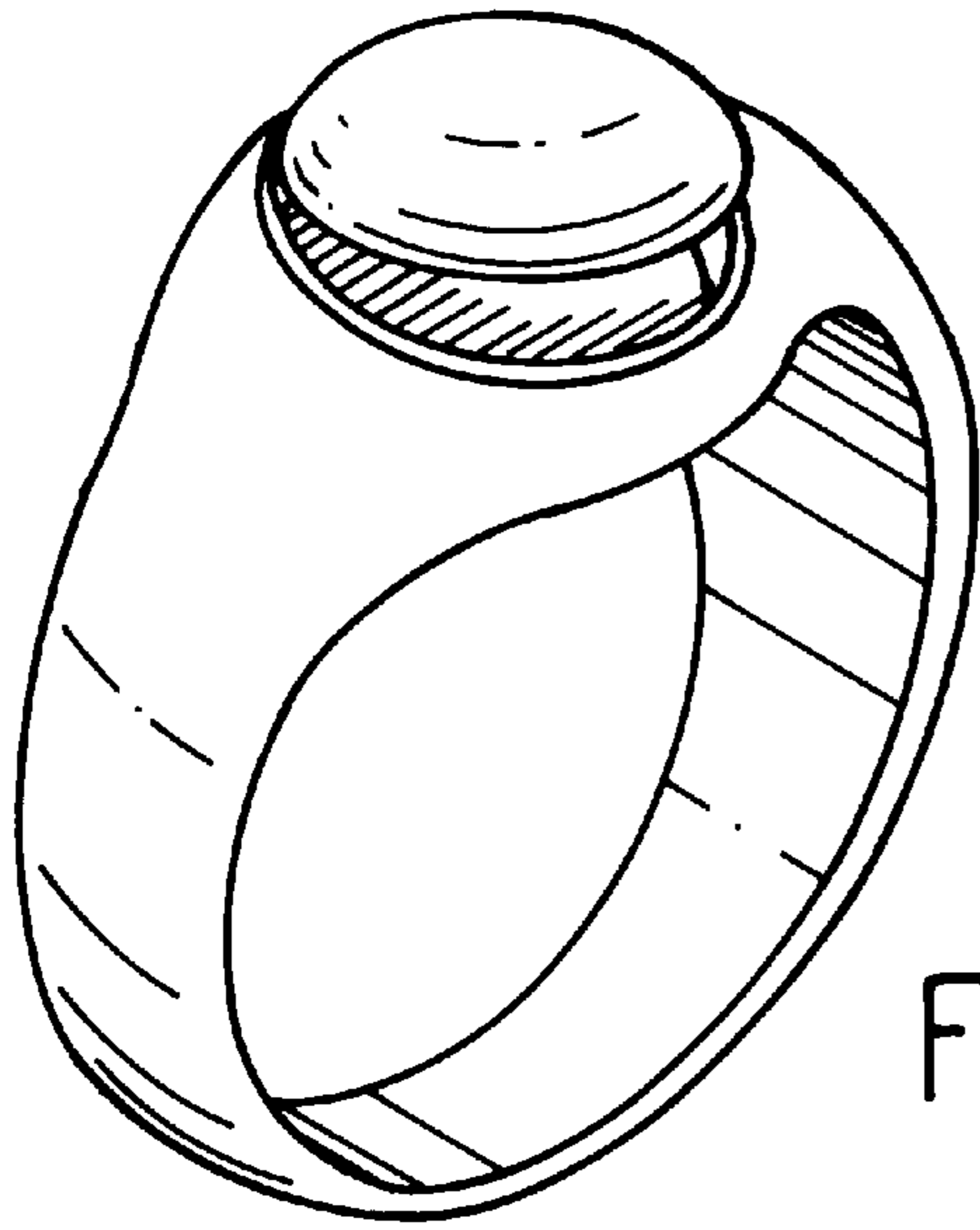


FIG. 1.

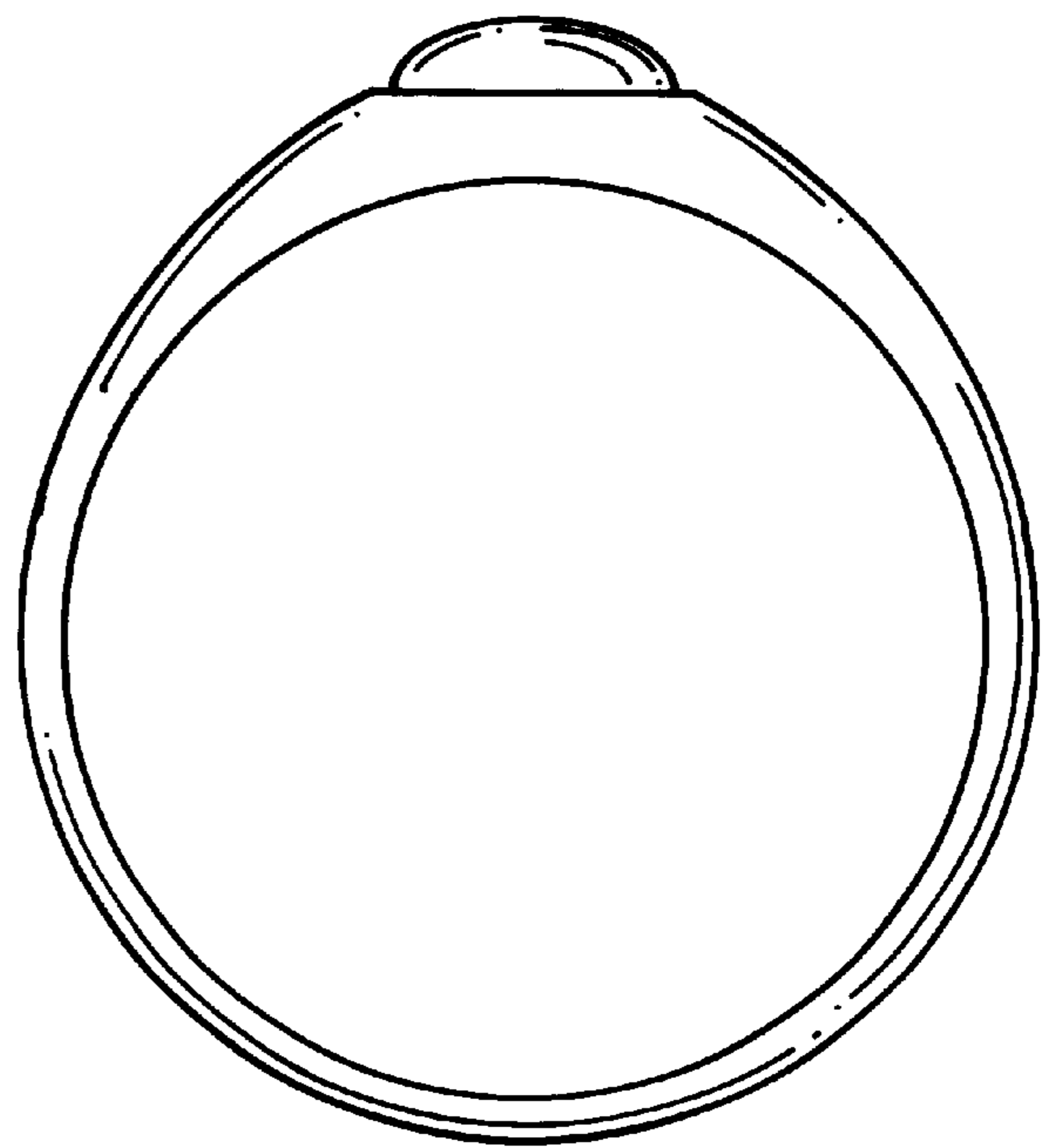


FIG. 2.

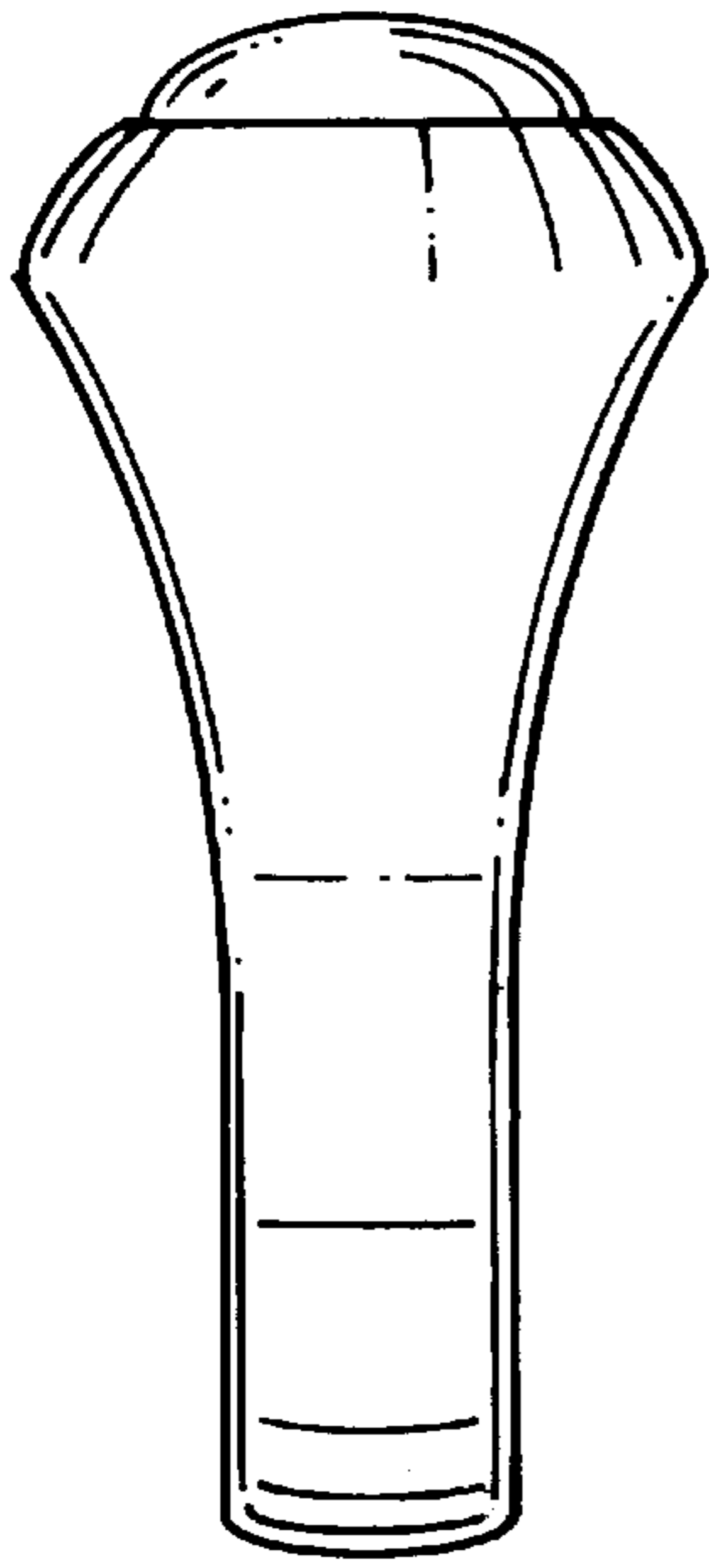


FIG. 3.

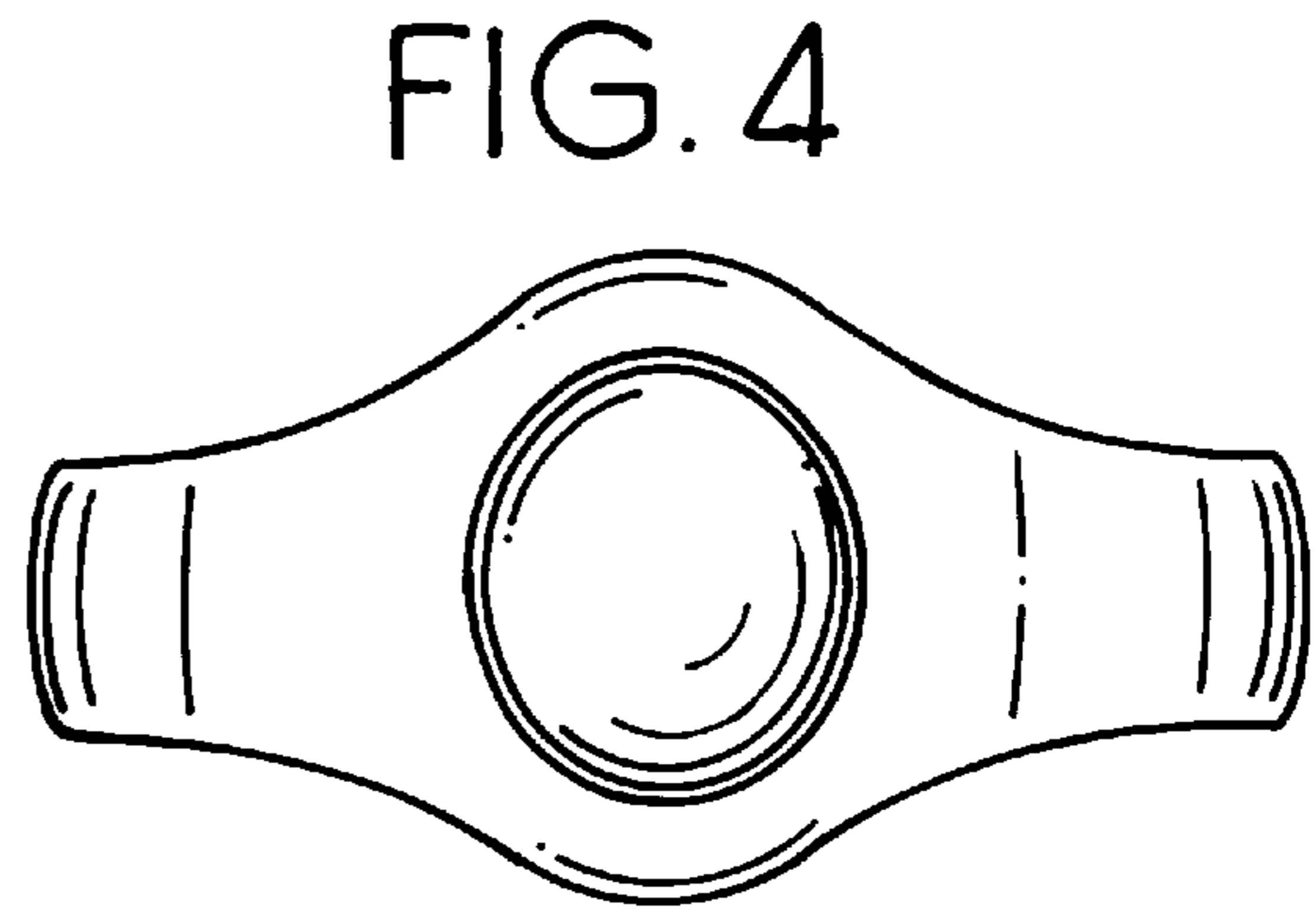


FIG. 4

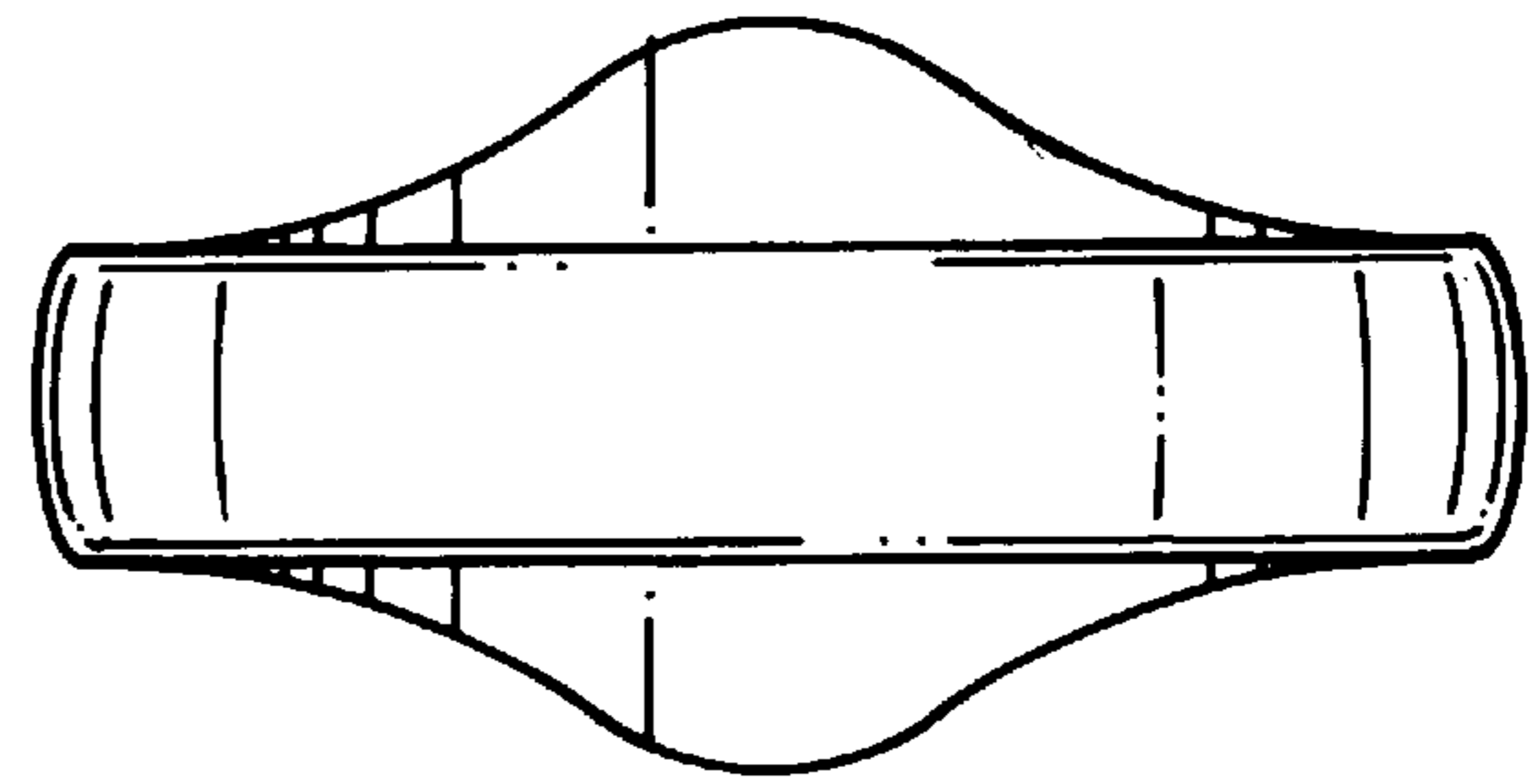


FIG. 5.