



US00D451421B1

(12) **United States Design Patent**
Akkad

(10) **Patent No.:** **US D451,421 S**

(45) **Date of Patent:** **** Dec. 4, 2001**

(54) **FINGER RING**

(75) **Inventor:** **Walid Akkad, Gouvix (FR)**

(73) **Assignee:** **Fred Joaillier, Paris (FR)**

(**) **Term:** **14 Years**

(21) **Appl. No.:** **29/129,853**

(22) **Filed:** **Sep. 22, 2000**

(30) **Foreign Application Priority Data**

Mar. 22, 2000 (XH) DM/051 269

(51) **LOC (7) Cl.** **11-01**

(52) **U.S. Cl.** **D11/26**

(58) **Field of Search** 63/15, 15.1, 15.2,
63/15.3, 15.4, 15.45, 15.5, 15.6, 15.65,
15.7, 15.8, 15.9, 26-28; D11/26-39, 1-5

(56) **References Cited**

U.S. PATENT DOCUMENTS

- D. 10,612 * 4/1878 Byron D11/5
- D. 39,037 * 1/1908 Mitchell D11/5
- D. 113,692 * 3/1939 Wittmayer D11/26
- D. 115,439 * 6/1939 Beaupre D11/5

- D. 270,721 * 9/1983 Bulgari D11/35
- D. 311,836 * 11/1990 Dala et al. D11/3
- D. 430,814 * 9/2000 Lauper D11/26
- 1,286,610 * 12/1918 Harriman 63/15
- 2,164,197 * 6/1939 Beaupre D11/5
- 4,033,143 * 7/1977 Michael 63/15

* cited by examiner

Primary Examiner—Cathy Anne MacCormac

(74) *Attorney, Agent, or Firm*—Abelman, Frayne & Schwab

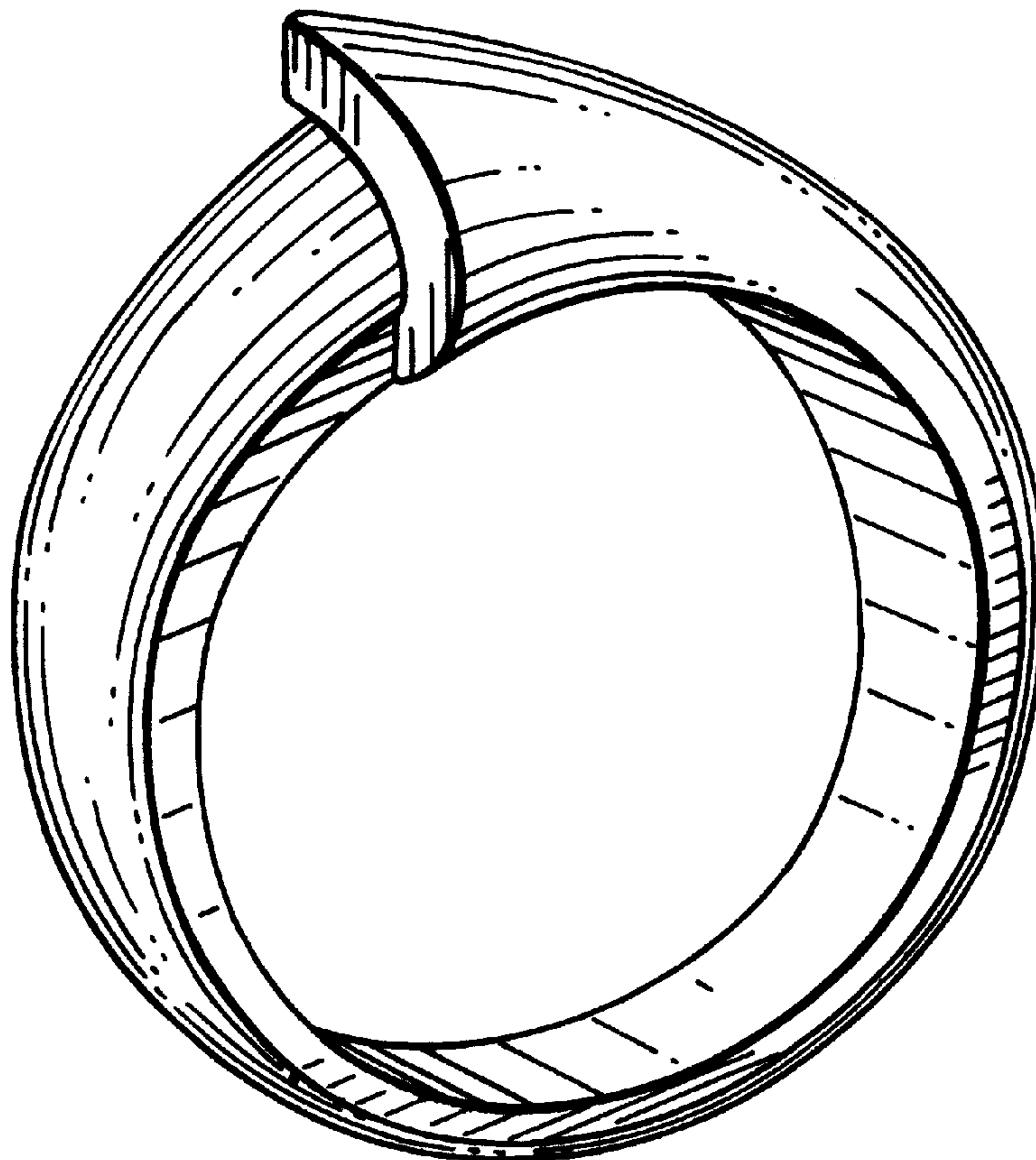
(57) **CLAIM**

The ornamental design for a finger ring, as shown.

DESCRIPTION

FIG. 1 is a top and left side perspective view of a finger ring showing my new design;
 FIG. 2 is a top plan view thereof;
 FIG. 3 is a front view thereof;
 FIG. 4 is a right side view thereof;
 FIG. 5 is a left side view thereof;
 FIG. 6 is a rear view thereof; and,
 FIG. 7 is a bottom plan view thereof.

1 Claim, 3 Drawing Sheets



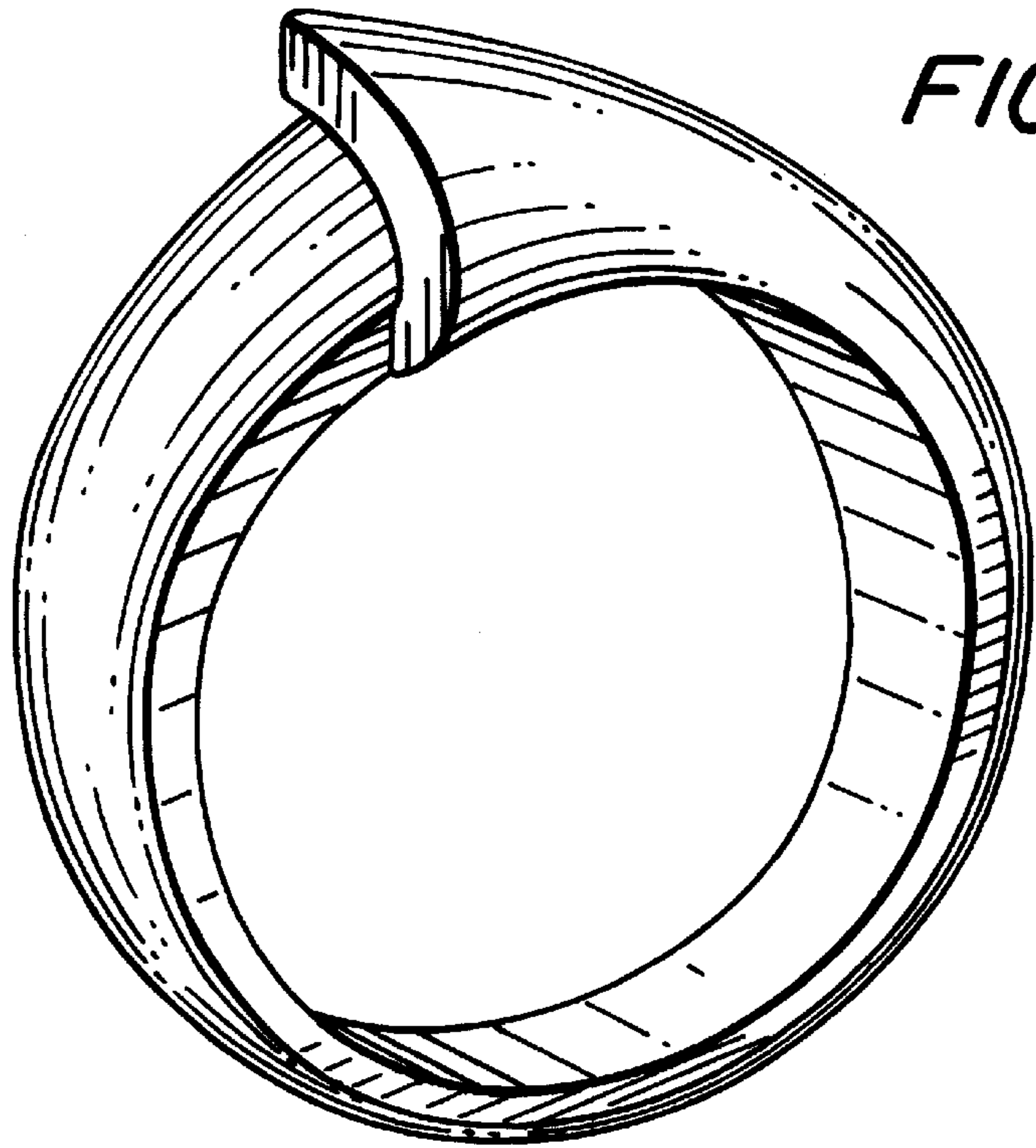


FIG. 1

FIG. 2

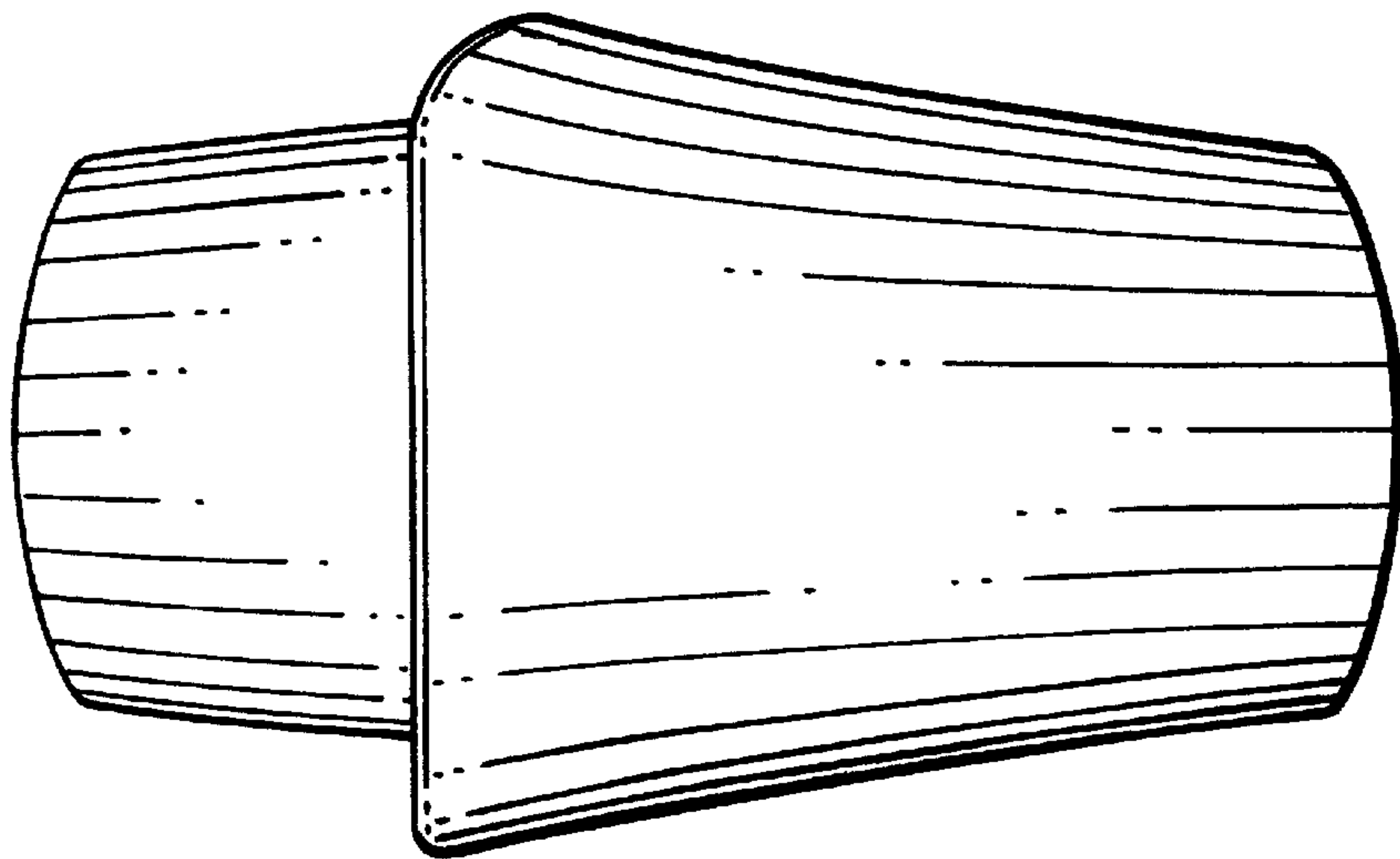


FIG. 4

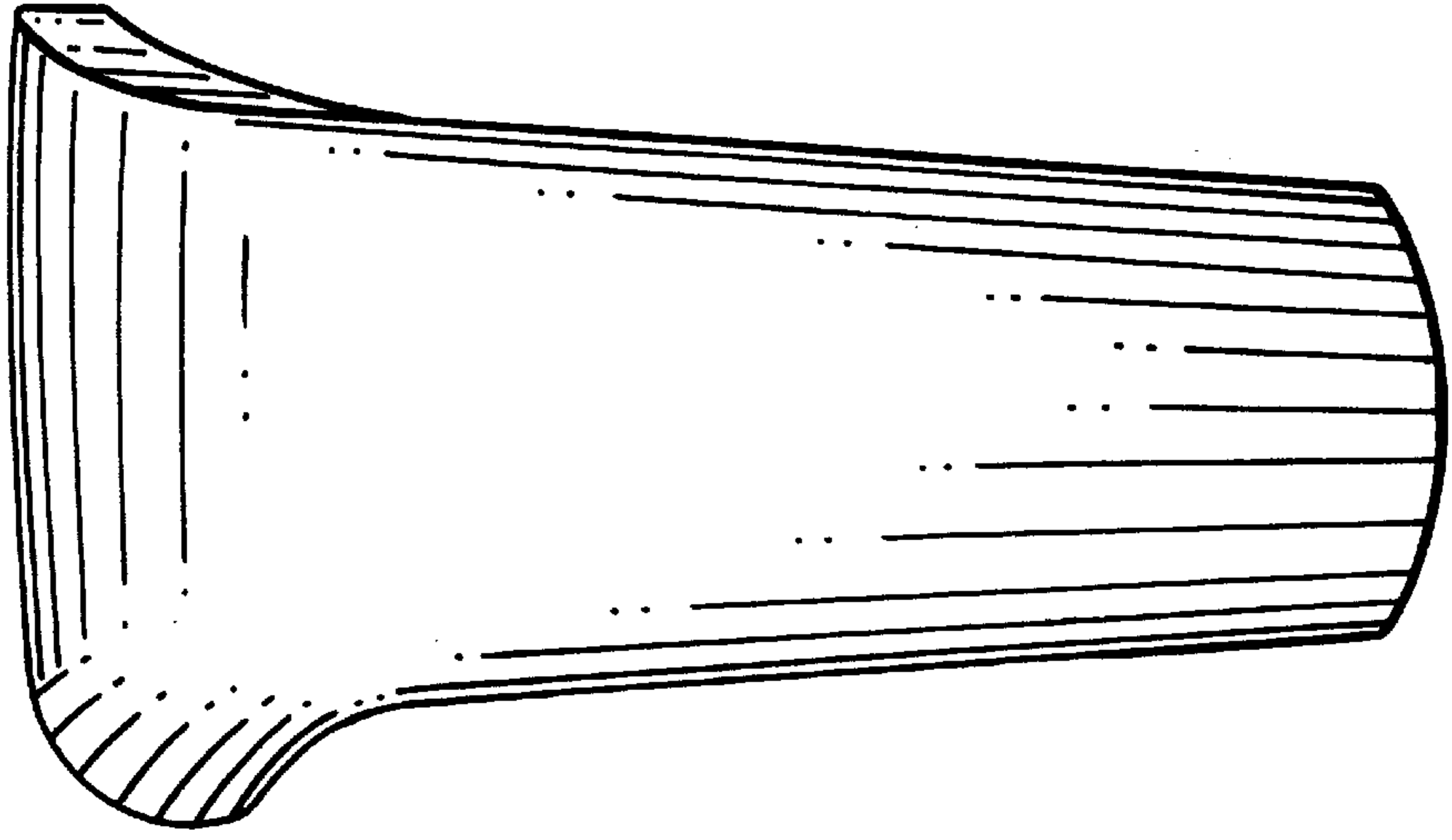
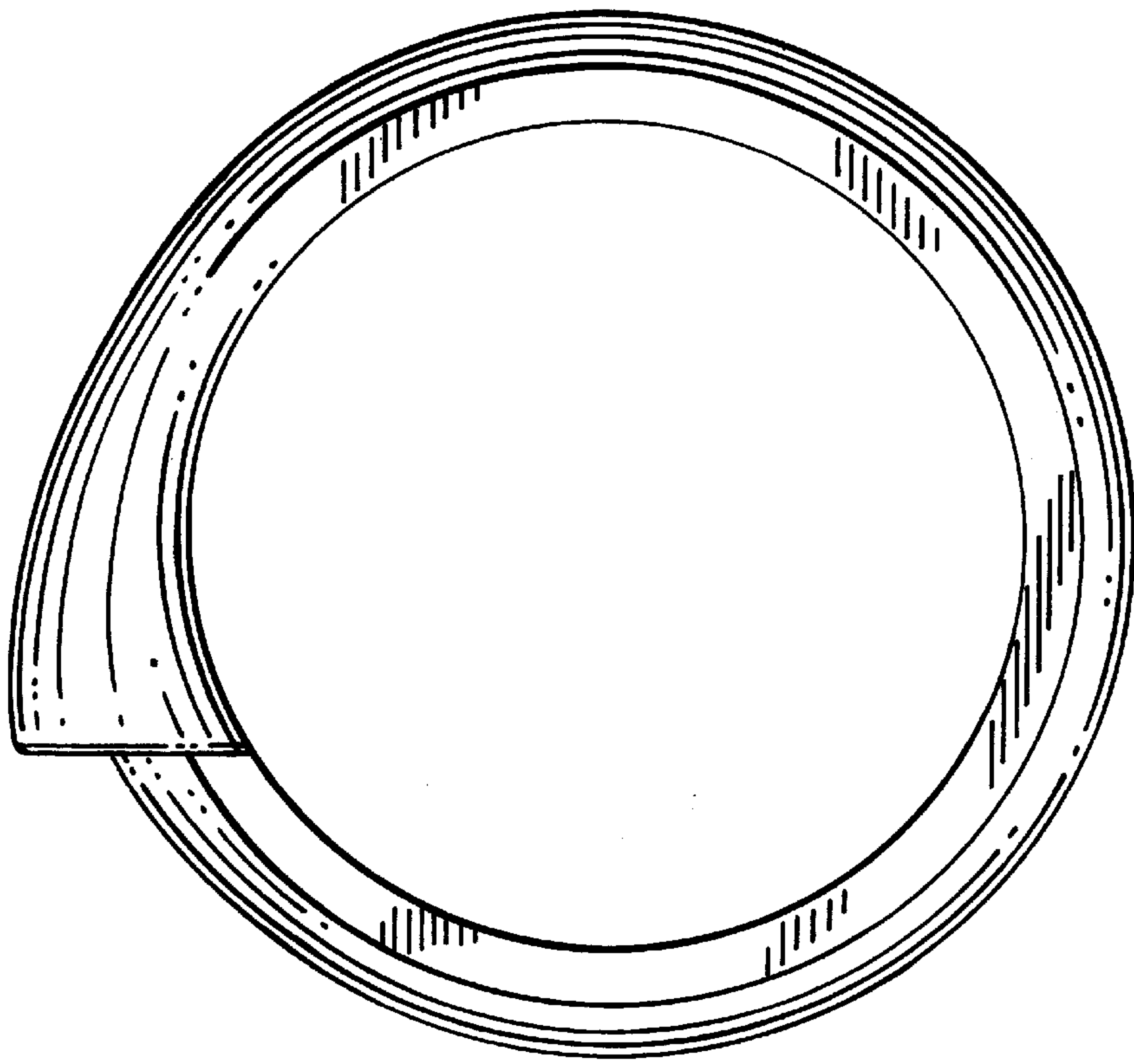


FIG. 3



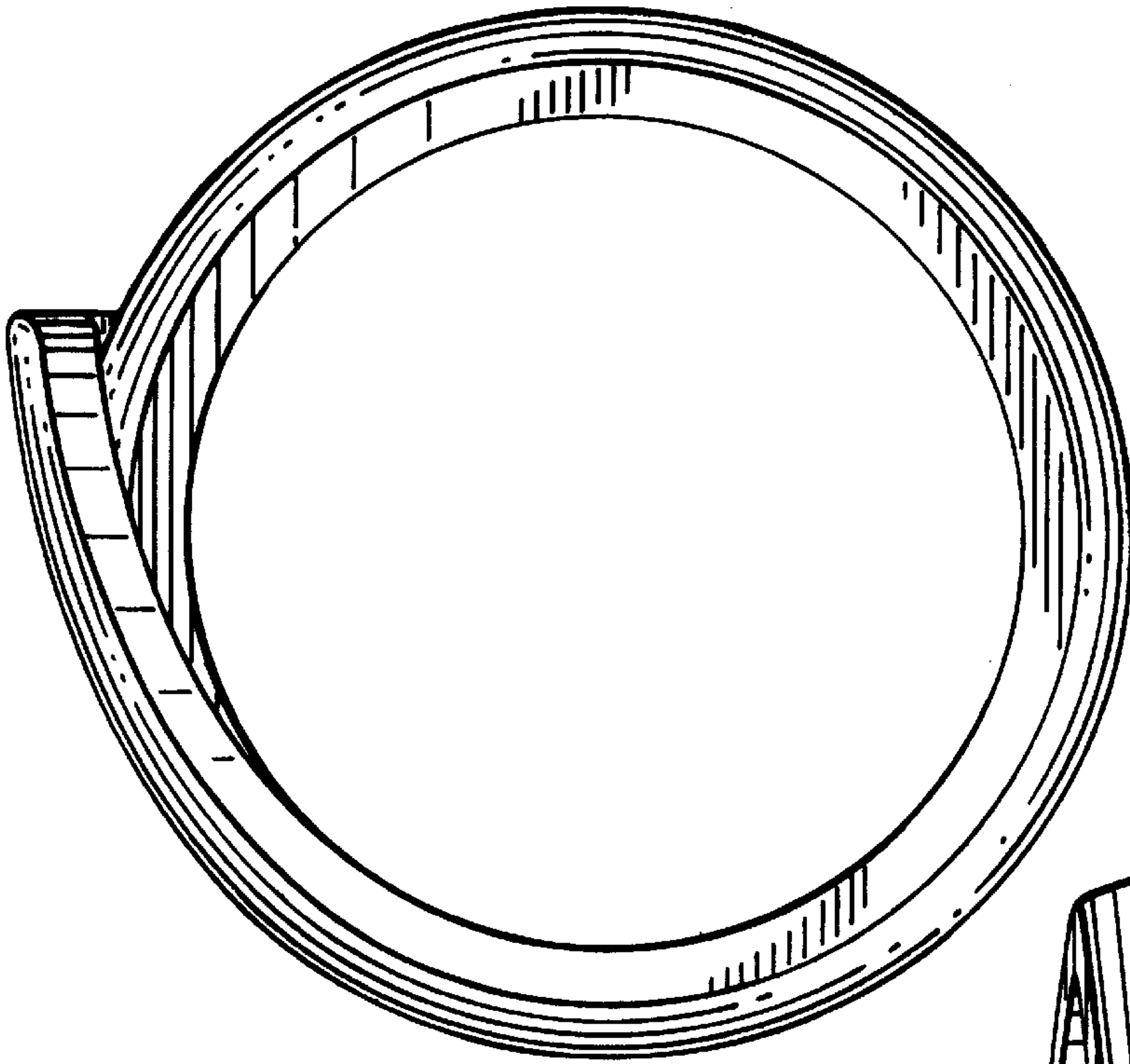


FIG. 6

FIG. 5

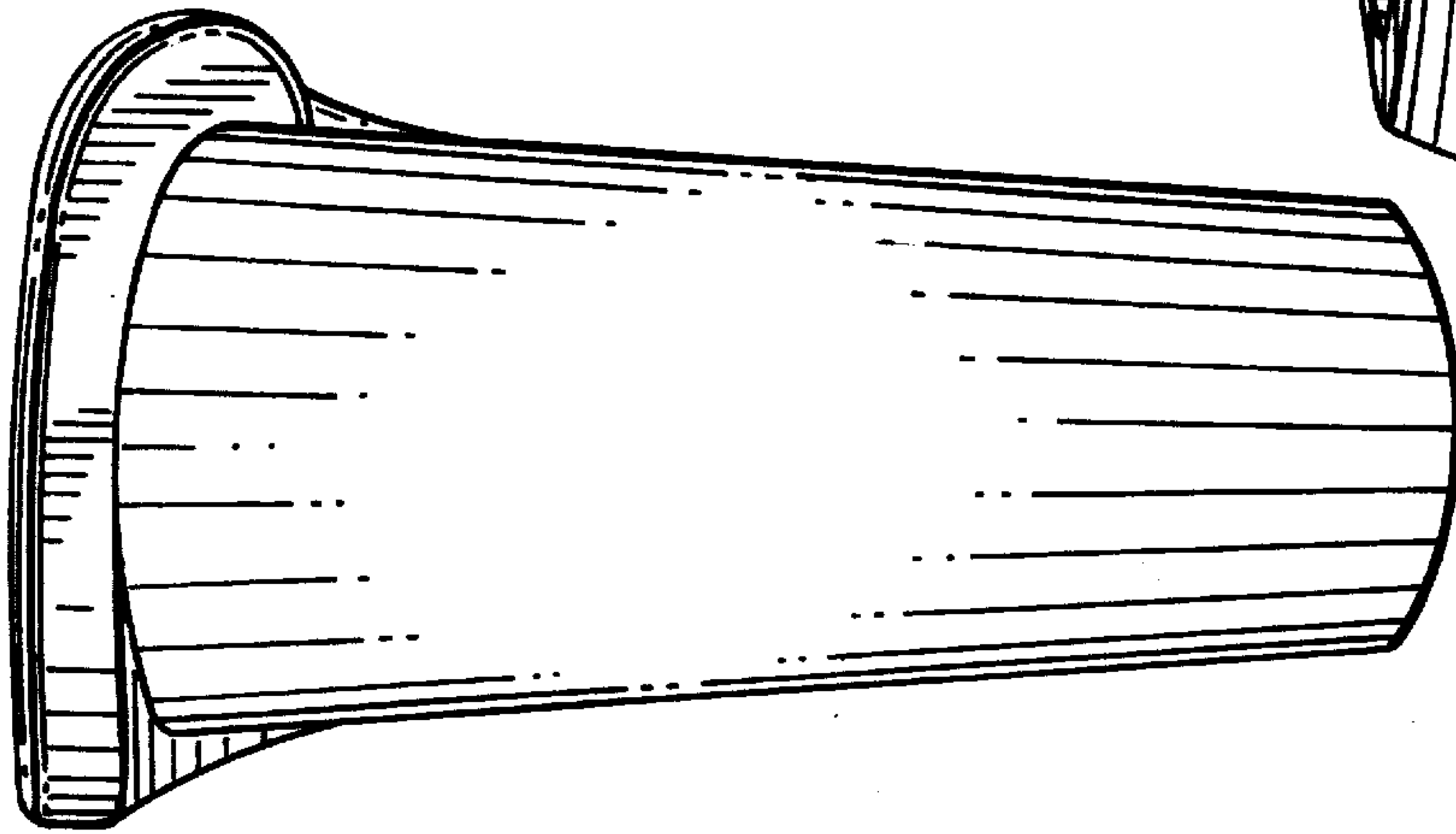


FIG. 7

