



US00D451418B1

(12) **United States Design Patent**
Thompson

(10) **Patent No.:** **US D451,418 S**

(45) **Date of Patent:** **** Dec. 4, 2001**

(54) **GAME CALLER**

D. 441,679 * 5/2001 Foiles D10/119

(76) Inventor: **Daniel R. Thompson**, 201 E. Cedar,
Rawlins, WY (US) 82301

* cited by examiner

(**) Term: **14 Years**

Primary Examiner—Marcus A. Jackson

(74) *Attorney, Agent, or Firm*—Ancel W. Lewis, Jr.

(21) Appl. No.: **29/137,473**

(57) **CLAIM**

(22) Filed: **Feb. 23, 2001**

The ornamental design for a game caller, as shown and described.

(51) **LOC (7) Cl.** **10-05**

DESCRIPTION

(52) **U.S. Cl.** **D10/119**

FIG. 1 is a left side elevation view of a game caller showing my new design;

(58) **Field of Search** D10/104, 106,
D10/116, 118, 119, 121; 116/137 R, 141,
142 R, 146; 446/202, 204, 212, 213, 216

FIG. 2 is a front elevation view thereof;

FIG. 3 is a side elevation view turned 45 degrees from the front elevation view of FIG. 2;

(56) **References Cited**

FIG. 4 is a right side elevation view thereof;

U.S. PATENT DOCUMENTS

FIG. 5 is a top plan view thereof; and,

D. 385,819 * 11/1997 Chen D10/119

FIG. 6 is a bottom plan view thereof.

D. 415,054 * 10/1999 Foster et al. D10/119

D. 417,166 * 11/1999 De Groot D10/119

1 Claim, 2 Drawing Sheets

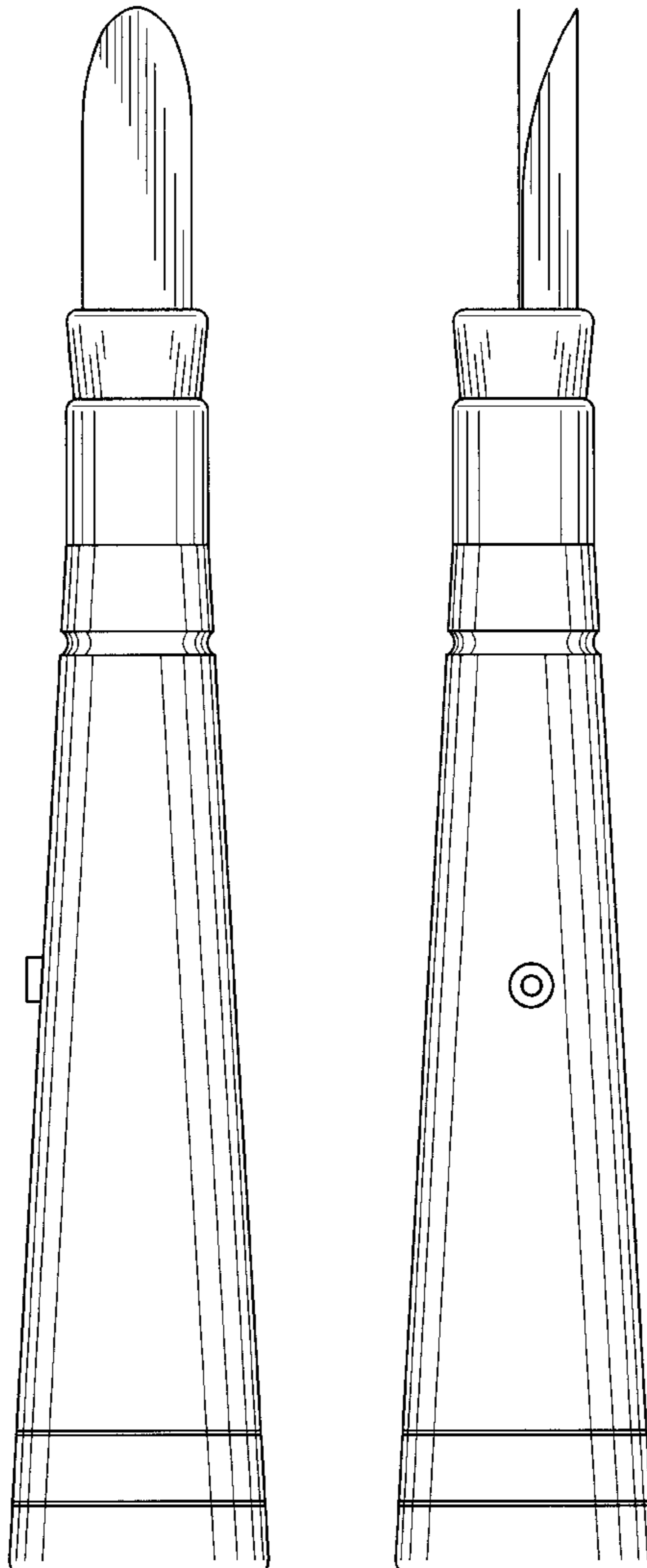


Fig. 1

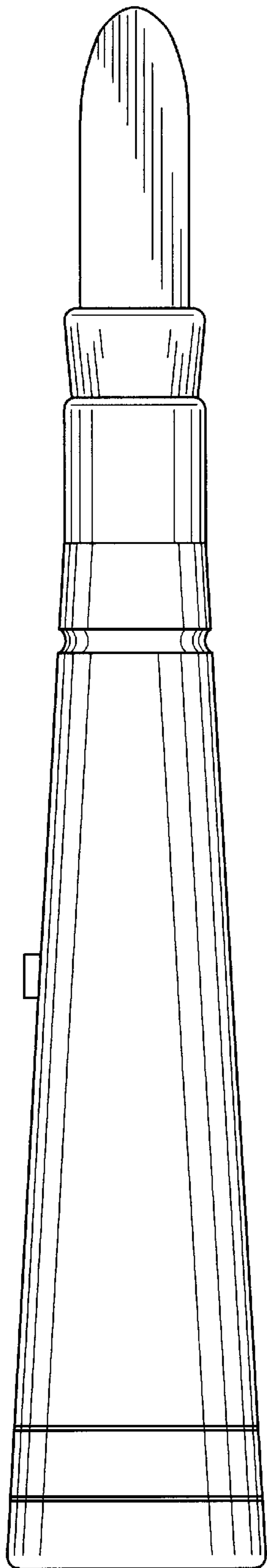


Fig. 2

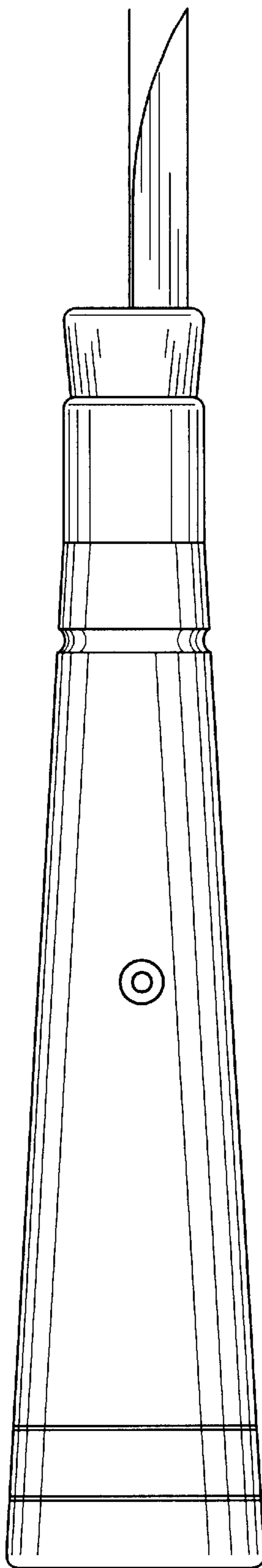


Fig. 3

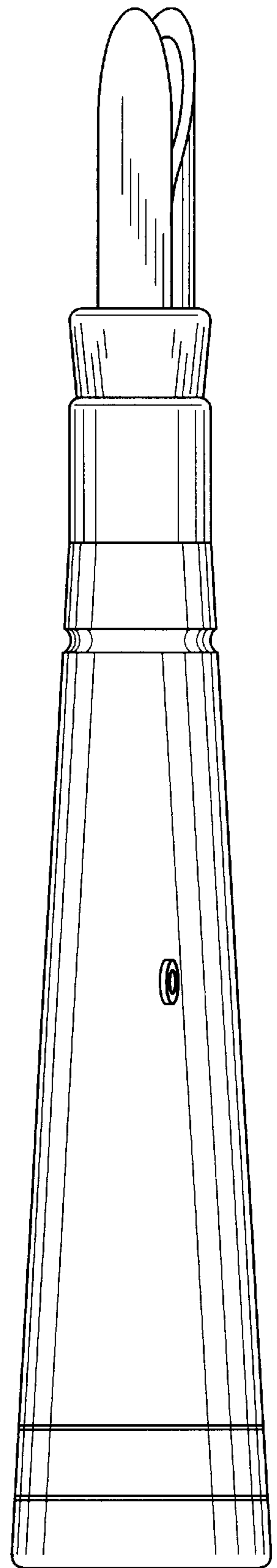


Fig. 4

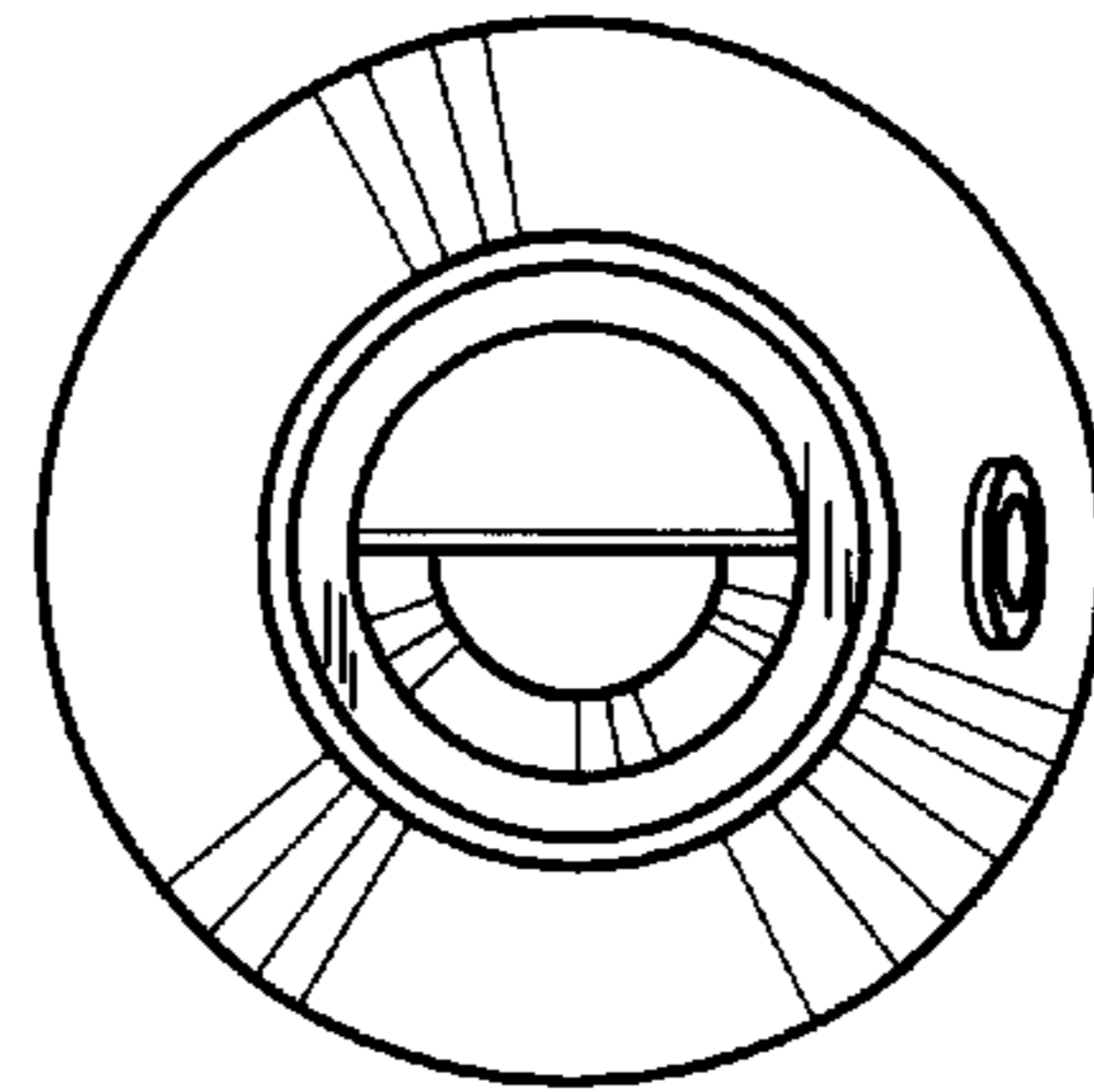
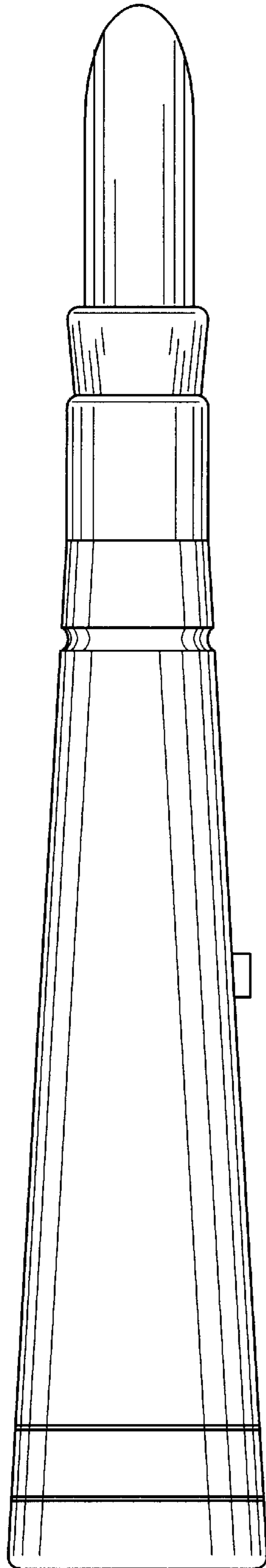


Fig. 5

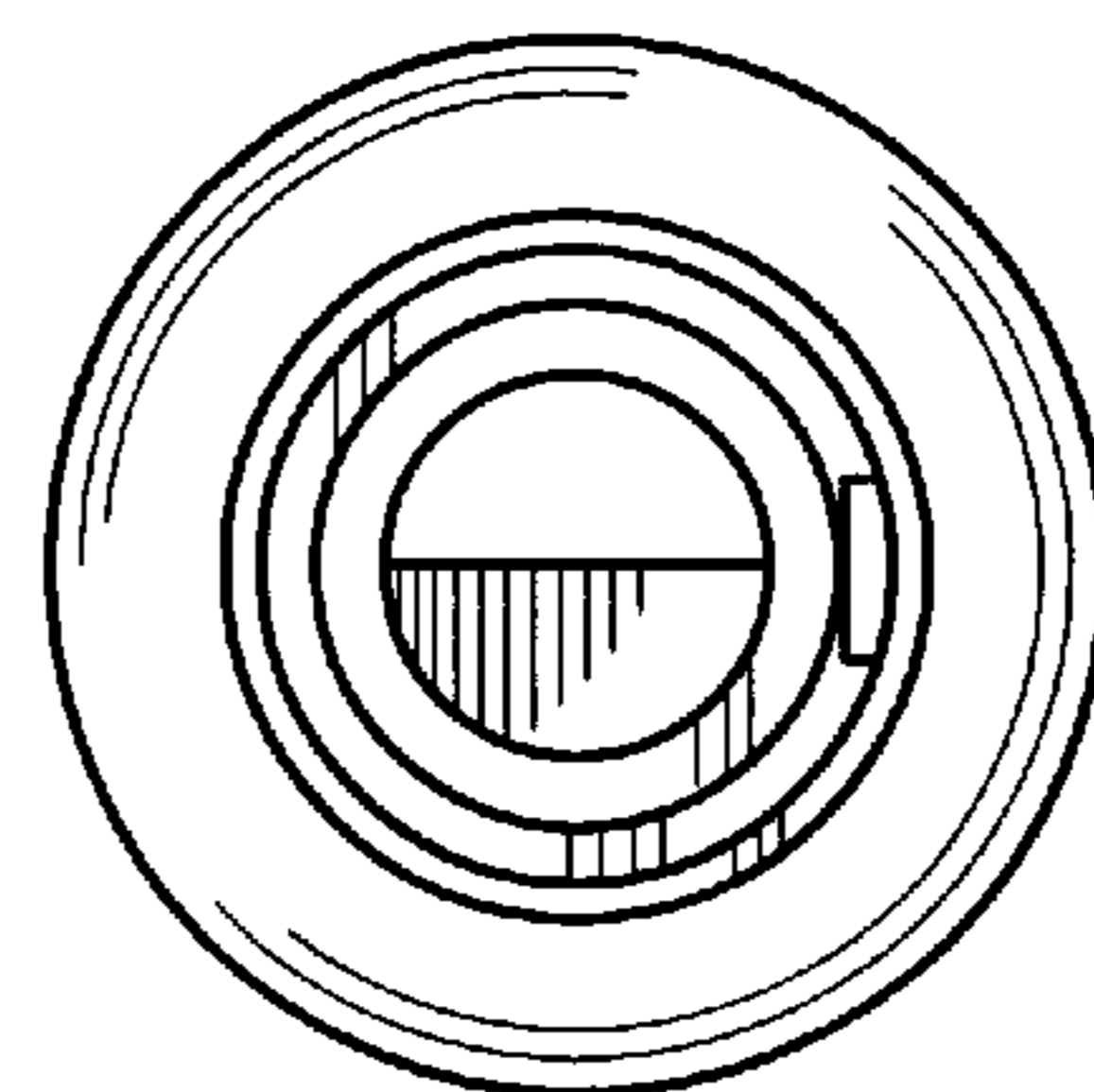


Fig. 6