



US00D451416B1

(12) **United States Design Patent**  
**Evans et al.**

(10) **Patent No.:** **US D451,416 S**

(45) **Date of Patent:** **\*\* Dec. 4, 2001**

(54) **ELECTRONIC ARTICLE SECURITY TAG**

(75) Inventors: **Robert Evans; Andre Cote**, both of  
Bedford Park, IL (US)

(73) Assignee: **Checkpoint Systems, Inc.**, Thorofare,  
NJ (US)

(\*\*) Term: **14 Years**

(21) Appl. No.: **29/136,556**

(22) Filed: **Feb. 1, 2001**

(51) **LOC (7) Cl.** ..... **10-05**

(52) **U.S. Cl.** ..... **D10/104**

(58) **Field of Search** ..... D10/104, 106,  
D10/116, 121; 340/540, 545, 547, 565,  
571, 572, 573

(56) **References Cited**

**U.S. PATENT DOCUMENTS**

D. 424,462 \* 5/2000 Suzuki et al. .... D10/104

D. 432,442 \* 10/2000 Sayegh ..... D10/106

\* cited by examiner

*Primary Examiner*—Marcus A. Jackson

(74) *Attorney, Agent, or Firm*—Akin, Gump, Strauss,  
Hauer & Feld, L.L.P.

(57) **CLAIM**

The ornamental design for an electronic article security tag,  
as shown and described.

**DESCRIPTION**

FIG. 1 is a top plan view of an electronic article security tag  
showing our new design prior to installation upon an article  
to be protected;

FIG. 2 is a rear plan view thereof;

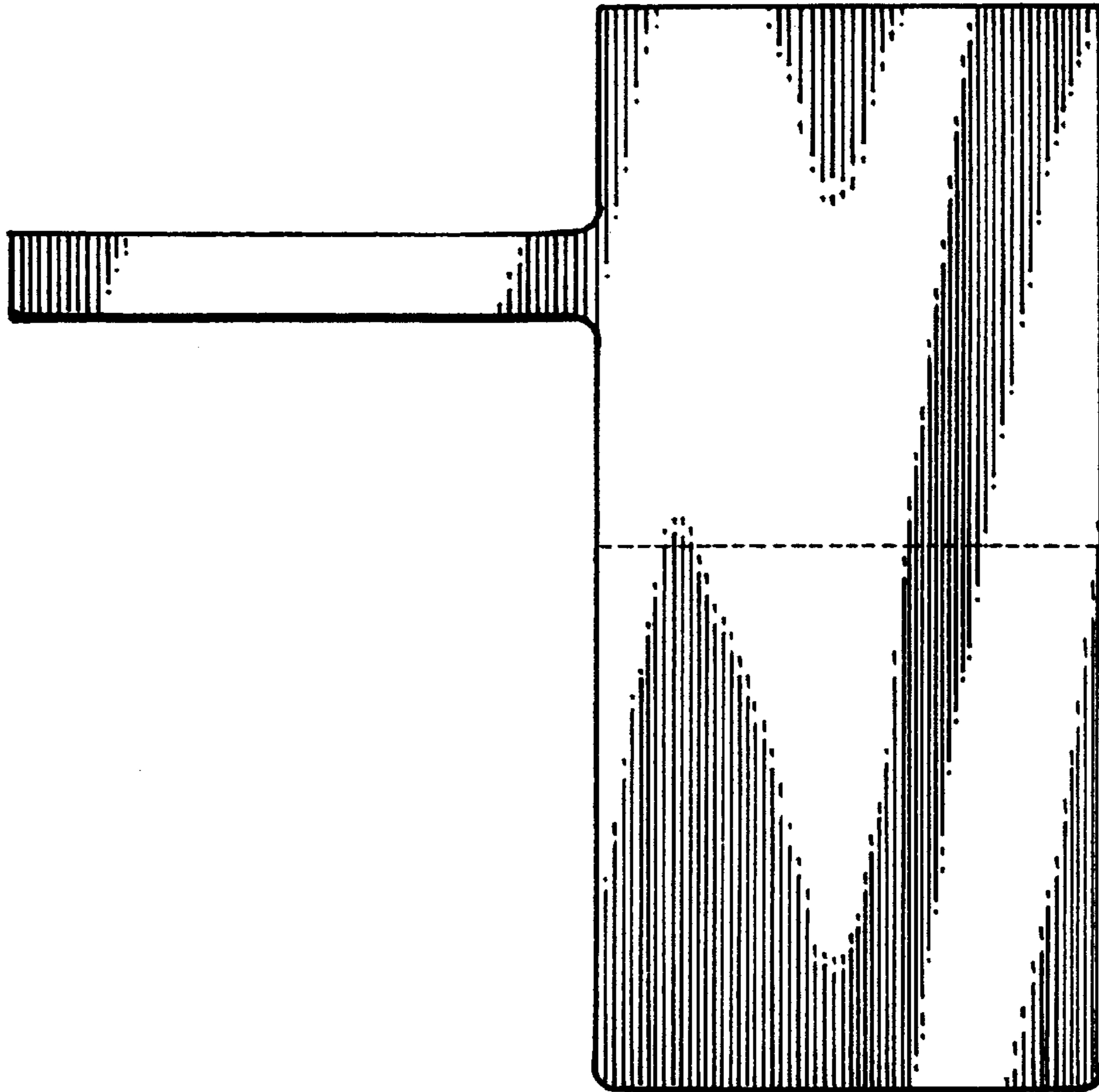
FIG. 3 is a right side elevational view thereof, the left side  
elevational view being a mirror image;

FIG. 4 is a front elevational view thereof;

FIG. 5 is a rear elevational view thereof; and,

FIG. 6 is a perspective view of the electronic article security  
tag assembled and secured to an article (pair of glasses) to  
be protected.

**1 Claim, 1 Drawing Sheet**



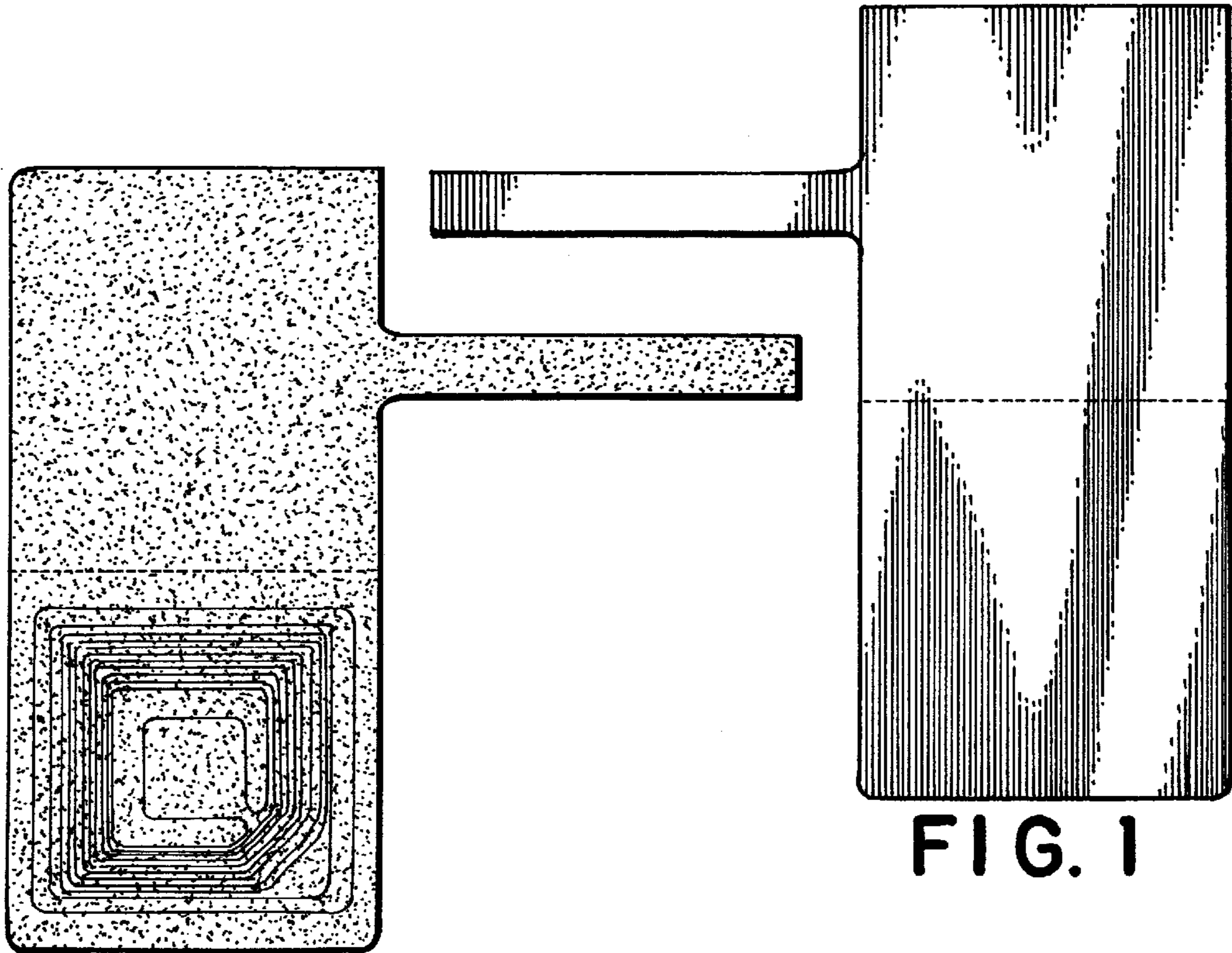


FIG. 1

FIG. 2



FIG. 3

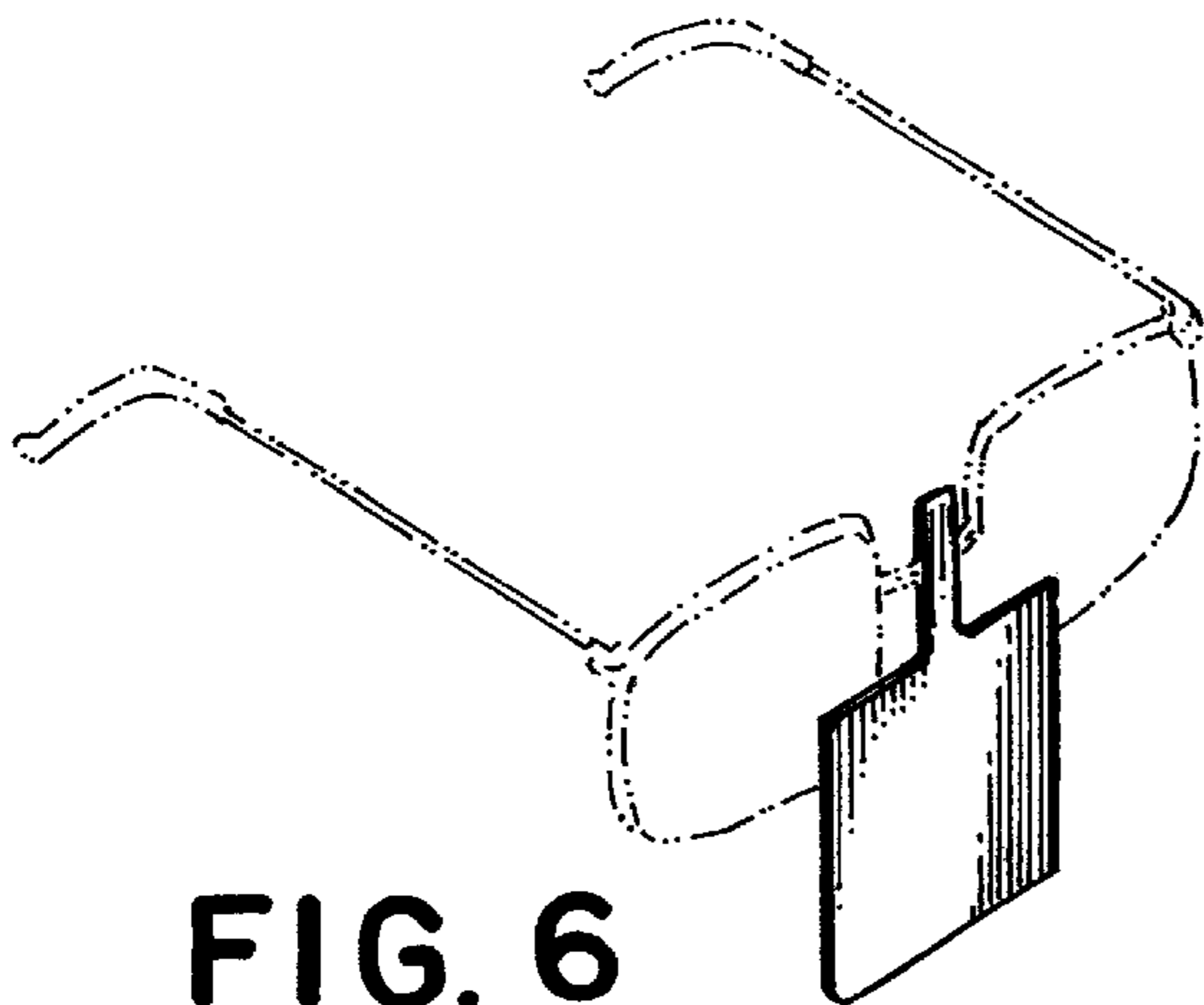


FIG. 6

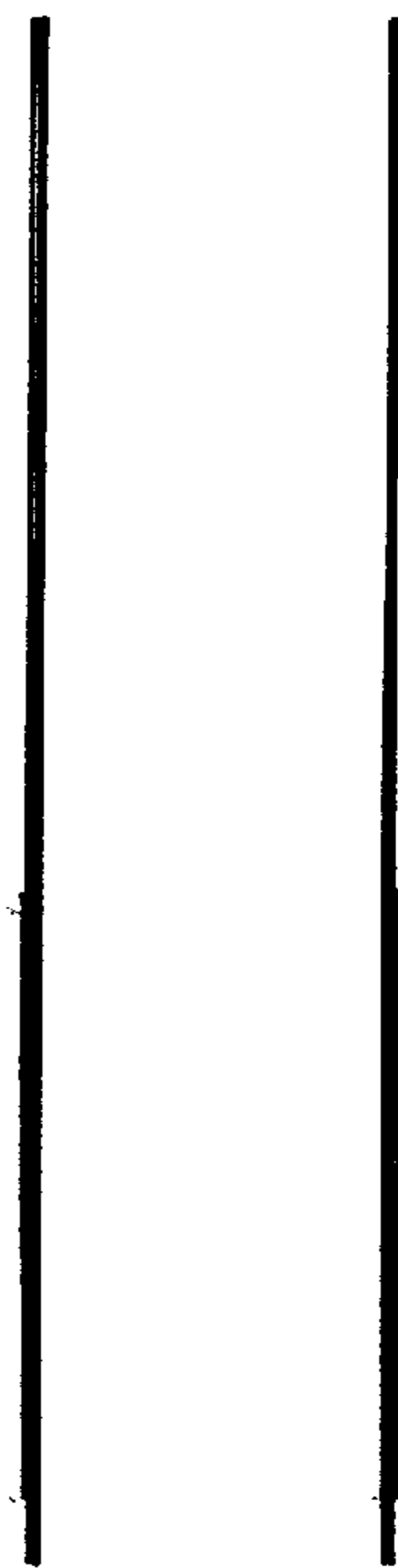


FIG. 4 FIG. 5