



US00D451414B1

(12) **United States Design Patent**  
**Friedrichs**

(10) **Patent No.:** **US D451,414 S**

(45) **Date of Patent:** **\*\* Dec. 4, 2001**

(54) **MAXIMUM-MINIMUM THERMOMETER  
MADE FROM ALUMINUM**

3,946,613 \* 3/1976 Silver ..... 374/208

\* cited by examiner

(75) **Inventor:** **Ingvart Friedrichs, Wertheim (DE)**

*Primary Examiner*—Antoine Duval Davis

(73) **Assignee:** **Dr. Friedrichs Gruppe  
Produktions-und Vertriebsgesellschaft  
mbH**

(74) *Attorney, Agent, or Firm*—Dilworth & Barrese LLP

(\*\*) **Term:** **14 Years**

(57) **CLAIM**

The ornamental design for a maximum-minimum thermometer made from aluminum, as shown and described.

(21) **Appl. No.:** **29/135,470**

**DESCRIPTION**

(22) **Filed:** **Jan. 12, 2001**

(30) **Foreign Application Priority Data**

Jul. 14, 2000 (DE) ..... 400 06 591

(51) **LOC (7) Cl.** ..... **10-04**

(52) **U.S. Cl.** ..... **D10/57**

(58) **Field of Search** ..... D10/57; 374/162,  
374/190, 194, 208, 187, 205, 206

FIG. 1 is a front elevational view of a maximum-minimum thermometer made from aluminum showing my new design; FIG. 2 is a left side elevation view of the maximum-minimum thermometer made from aluminum shown in FIG. 1, the right side elevational view being a substantial mirror image thereof;

FIG. 3 is a rear elevational view thereof;

FIG. 4 is a top plan view thereof;

FIG. 5 is a bottom plan view thereof; and,

FIG. 6 is a front perspective view thereof.

(56) **References Cited**

**U.S. PATENT DOCUMENTS**

D. 400,806 \* 11/1998 Tillack ..... D10/57

**1 Claim, 1 Drawing Sheet**

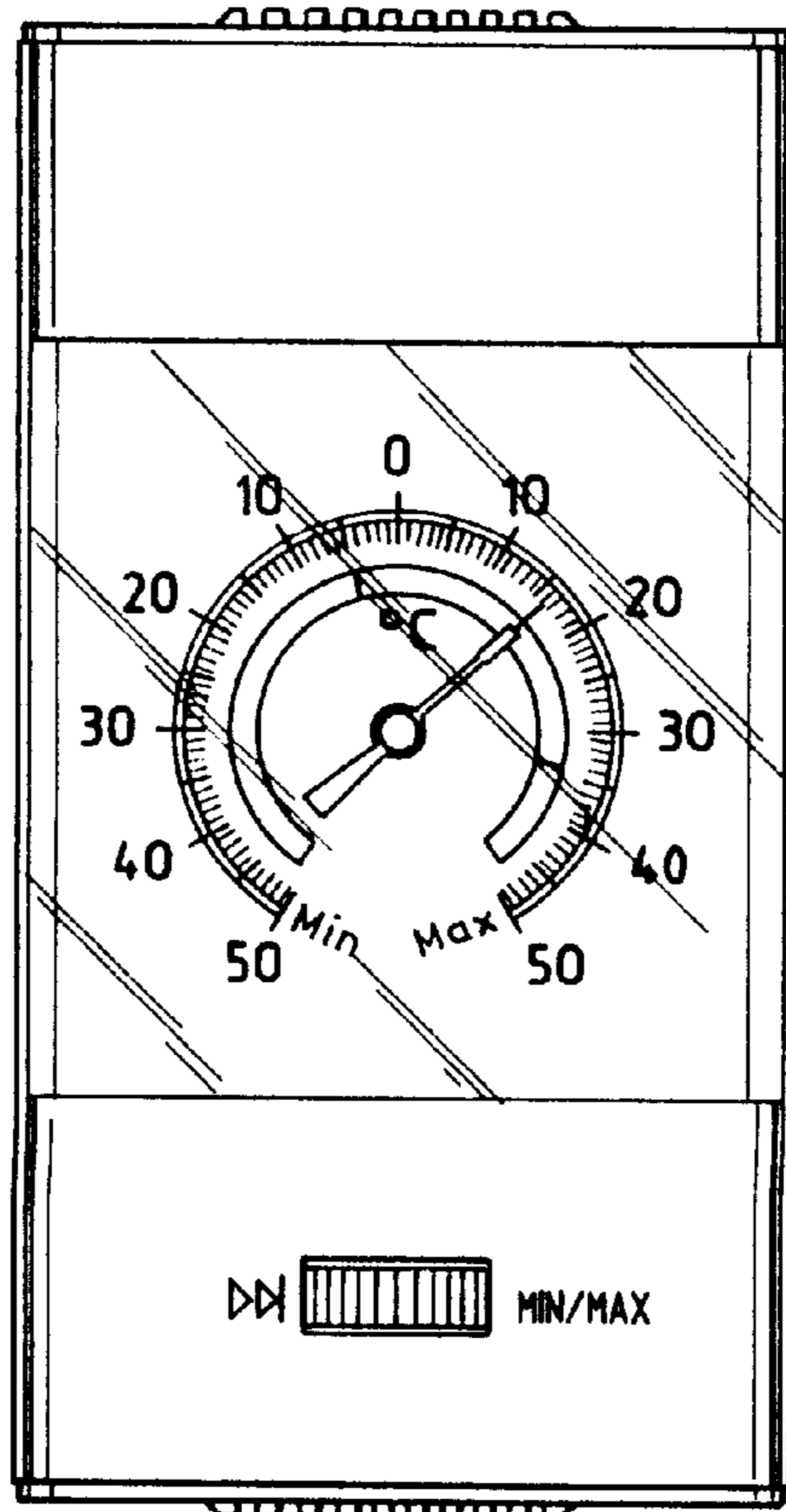


Fig. 1

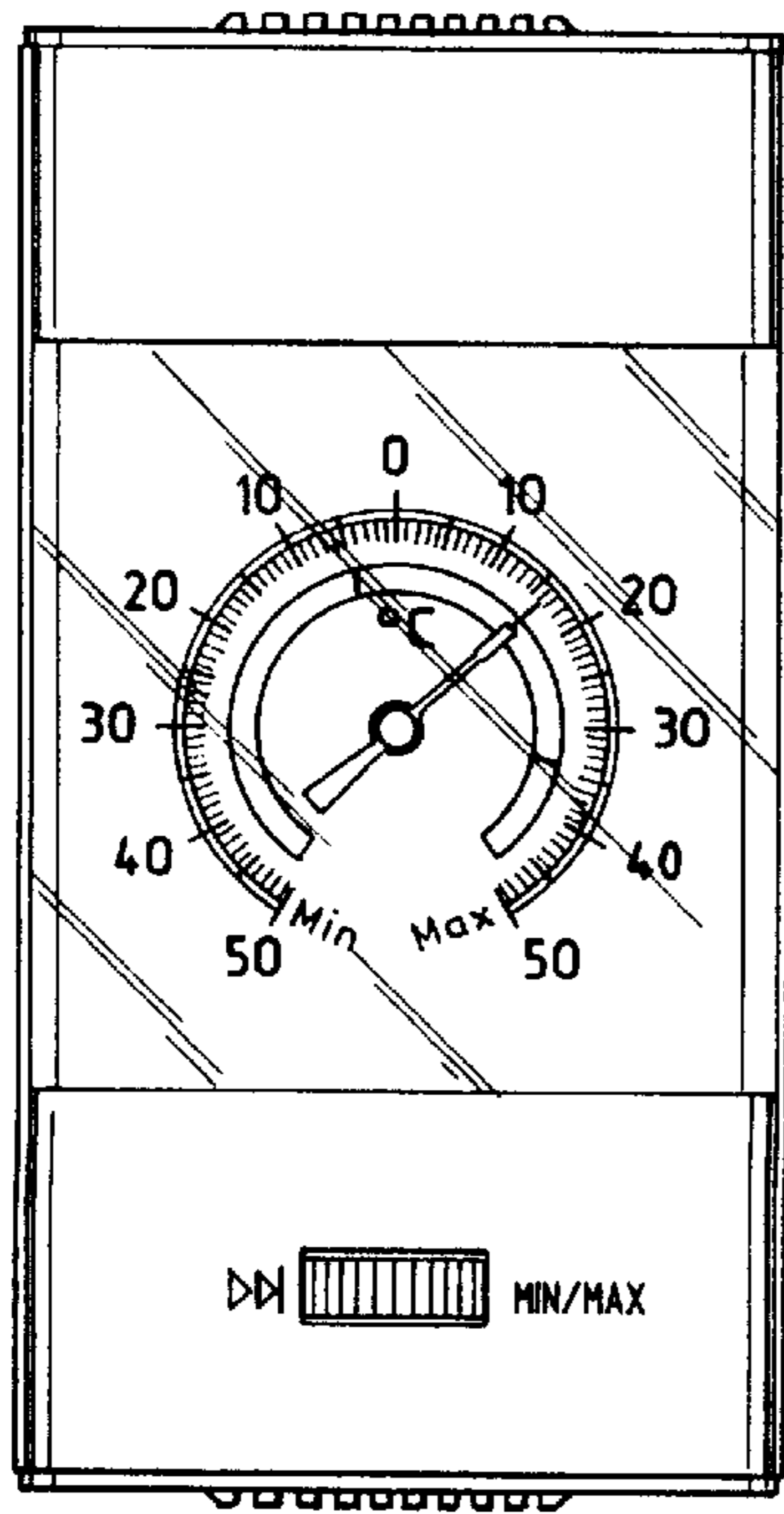


Fig. 2

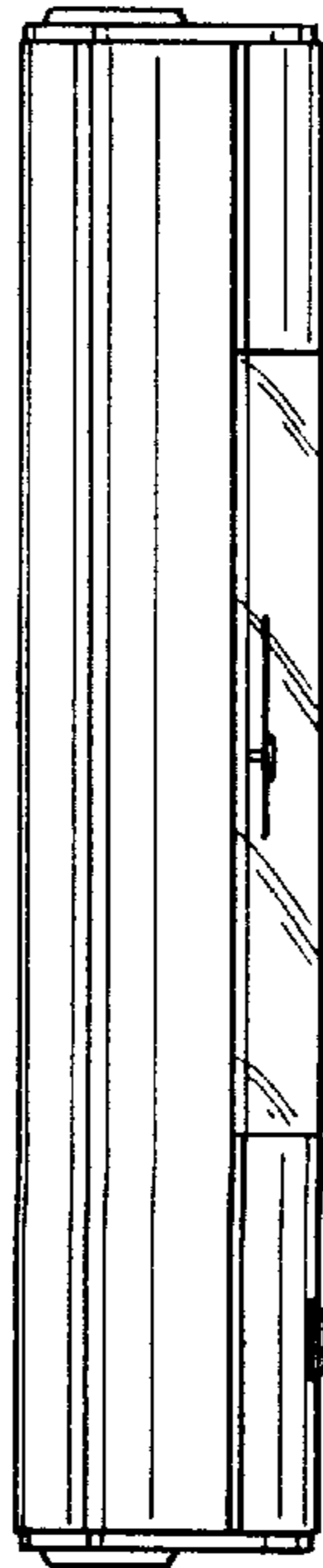


Fig. 3

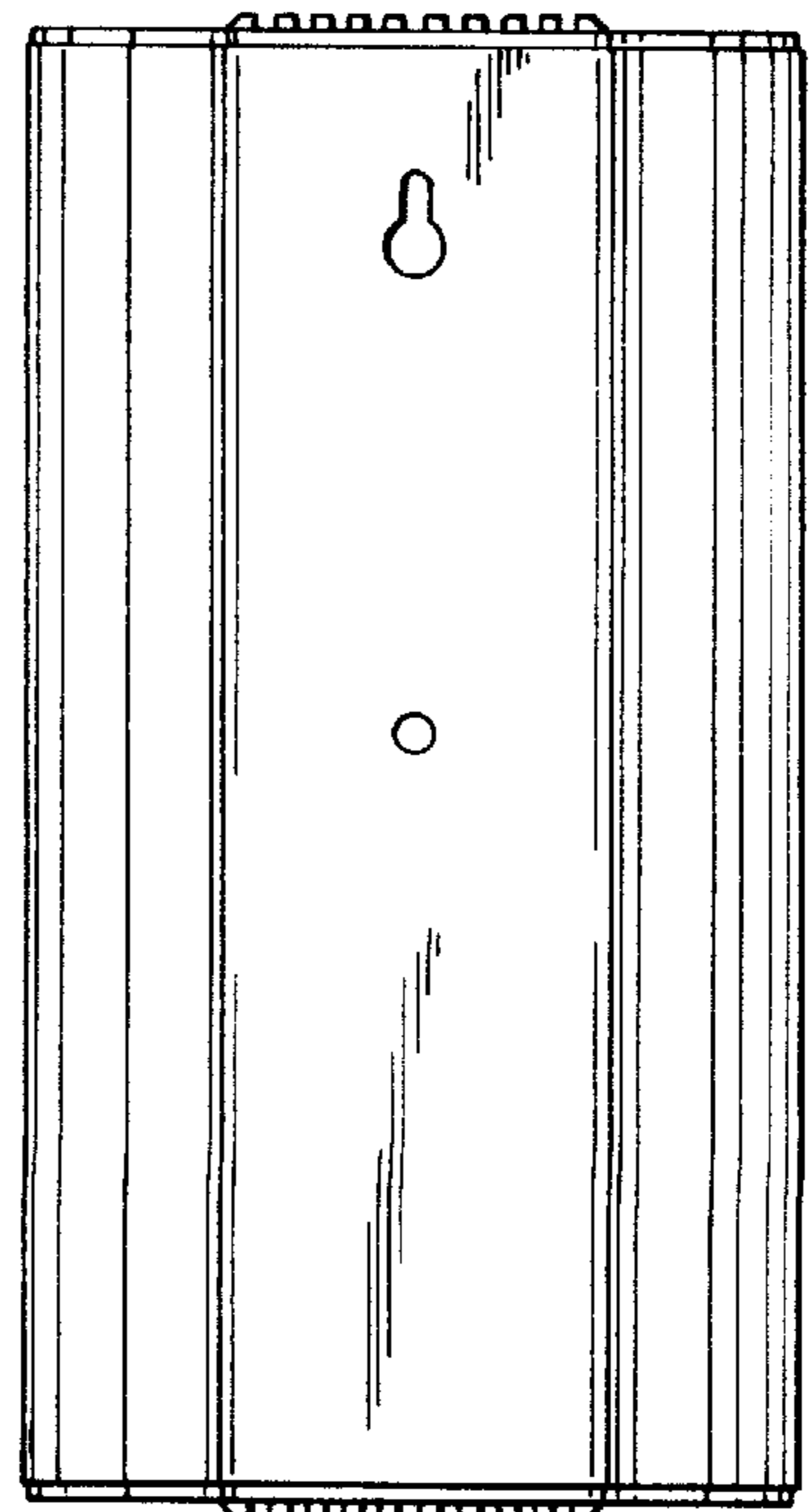


Fig. 4

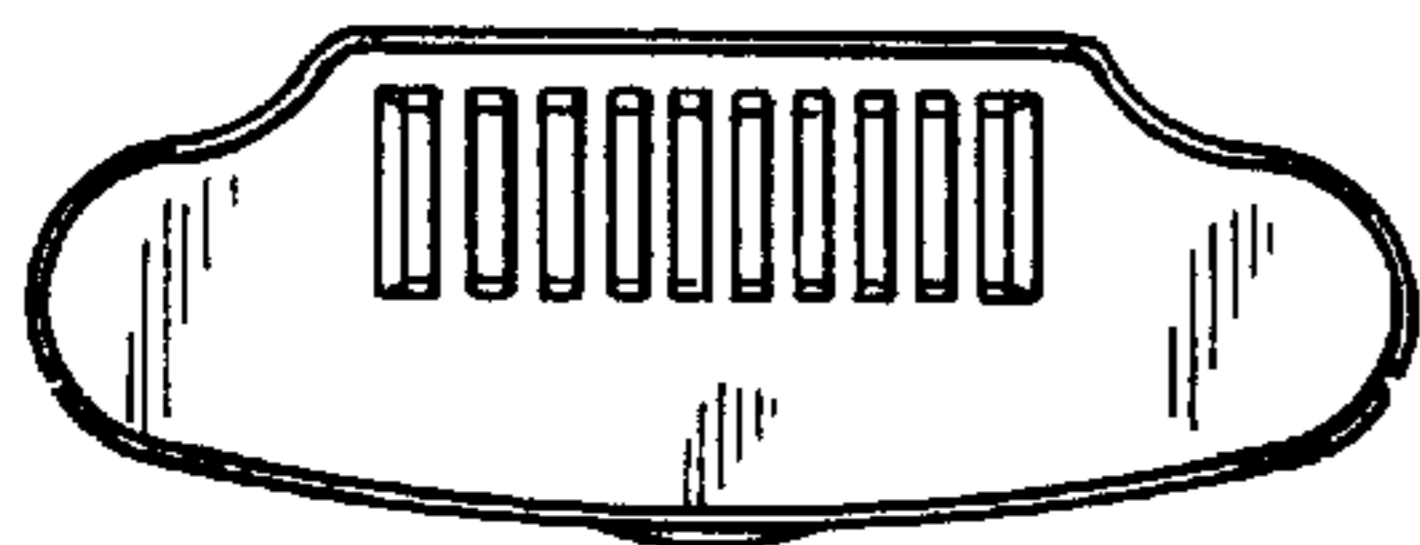


Fig. 5

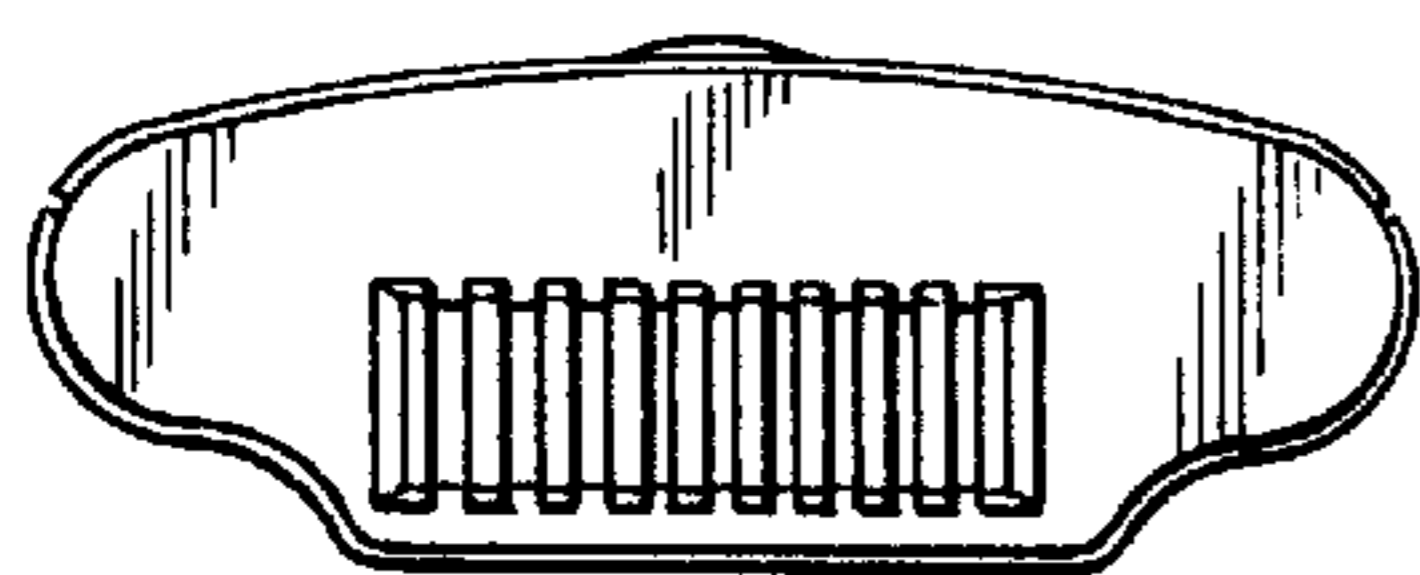


Fig. 6

