



US00D451413B1

(12) **United States Design Patent**
May et al.

(10) **Patent No.:** **US D451,413 S**

(45) **Date of Patent:** **** Dec. 4, 2001**

(54) **PROBE STYLE RADIOMETER**

5,382,799 * 1/1995 May 250/372
6,023,066 * 2/2000 Caln et al. 250/372

(75) Inventors: **Joe T. May**, Leesburg; **Michael Scott Cain**, Purcellville; **James M. Raymont**; **Christopher S. Rogers**, both of Sterling; **Christopher S. Shorter**, Aldie, all of VA (US)

* cited by examiner

Primary Examiner—Antoine Duval Davis
(74) *Attorney, Agent, or Firm*—McGuire Woods LLP

(73) Assignee: **Electronic Instrumentation & Technology, Inc.**, Sterling, VA (US)

(57) **CLAIM**

The ornamental design for probe style radiometer, as shown and described.

(**) Term: **14 Years**

DESCRIPTION

(21) Appl. No.: **29/133,403**

The design patent application is related to U.S. patent application Ser. No. 09/725,771.

(22) Filed: **Nov. 30, 2000**

(51) **LOC (7) Cl.** **10-04**

(52) **U.S. Cl.** **D10/47; D10/78**

(58) **Field of Search** D10/47, 78; 250/372 R, 250/372 EM, 370.07

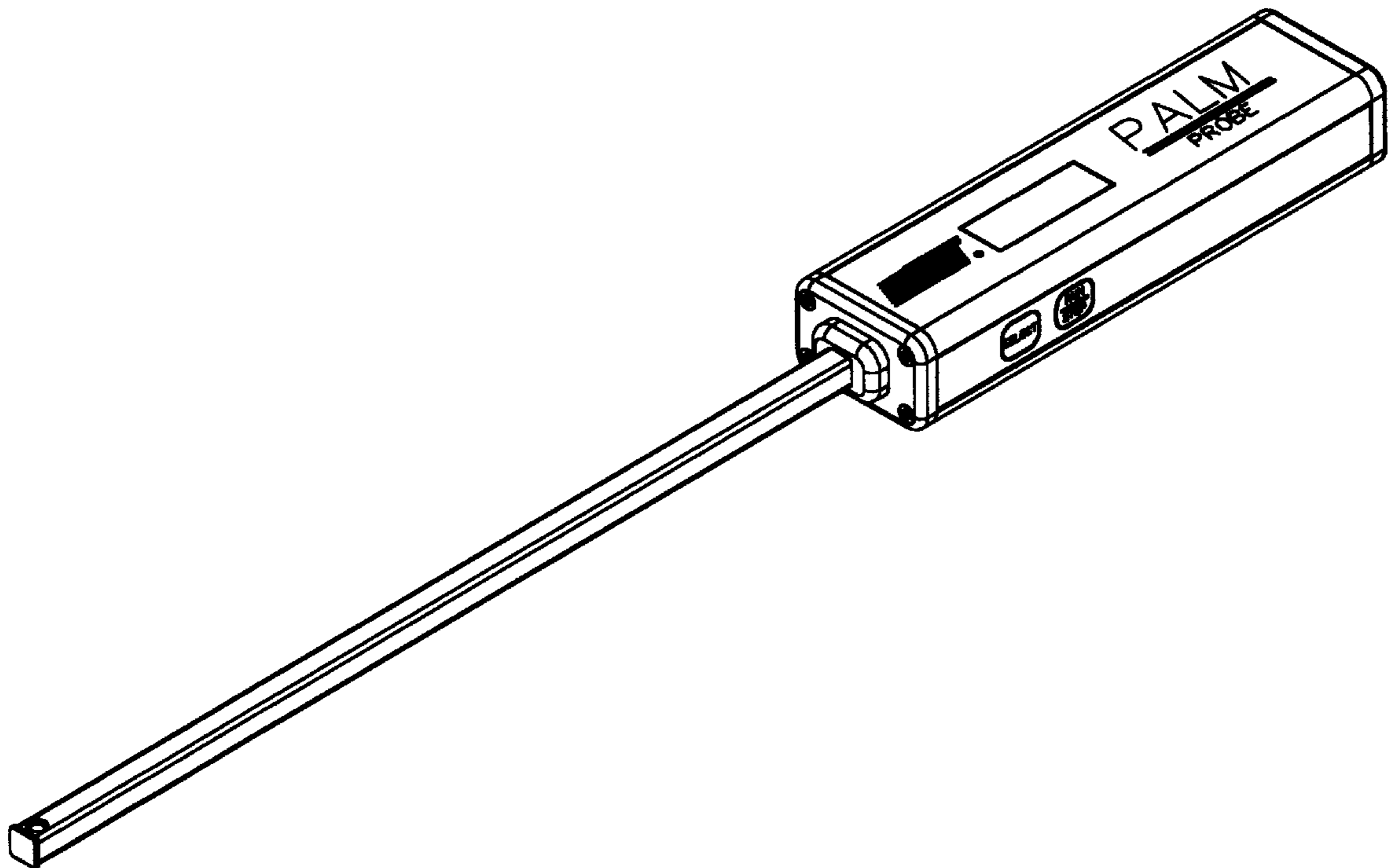
FIG. 1 is a perspective view of the probe style radiometer; FIG. 2 is a top view of the probe style radiometer; FIG. 3 is a right side view of the probe style radiometer; FIG. 4 is a bottom side view of the probe style radiometer; FIG. 5 is left side view of the probe style radiometer; FIG. 6 is front view of the probe style radiometer; and, FIG. 7 is a rear view of the probe style radiometer.

(56) **References Cited**

U.S. PATENT DOCUMENTS

D. 423,377 * 4/2000 Atterbury et al. D10/47

1 Claim, 3 Drawing Sheets



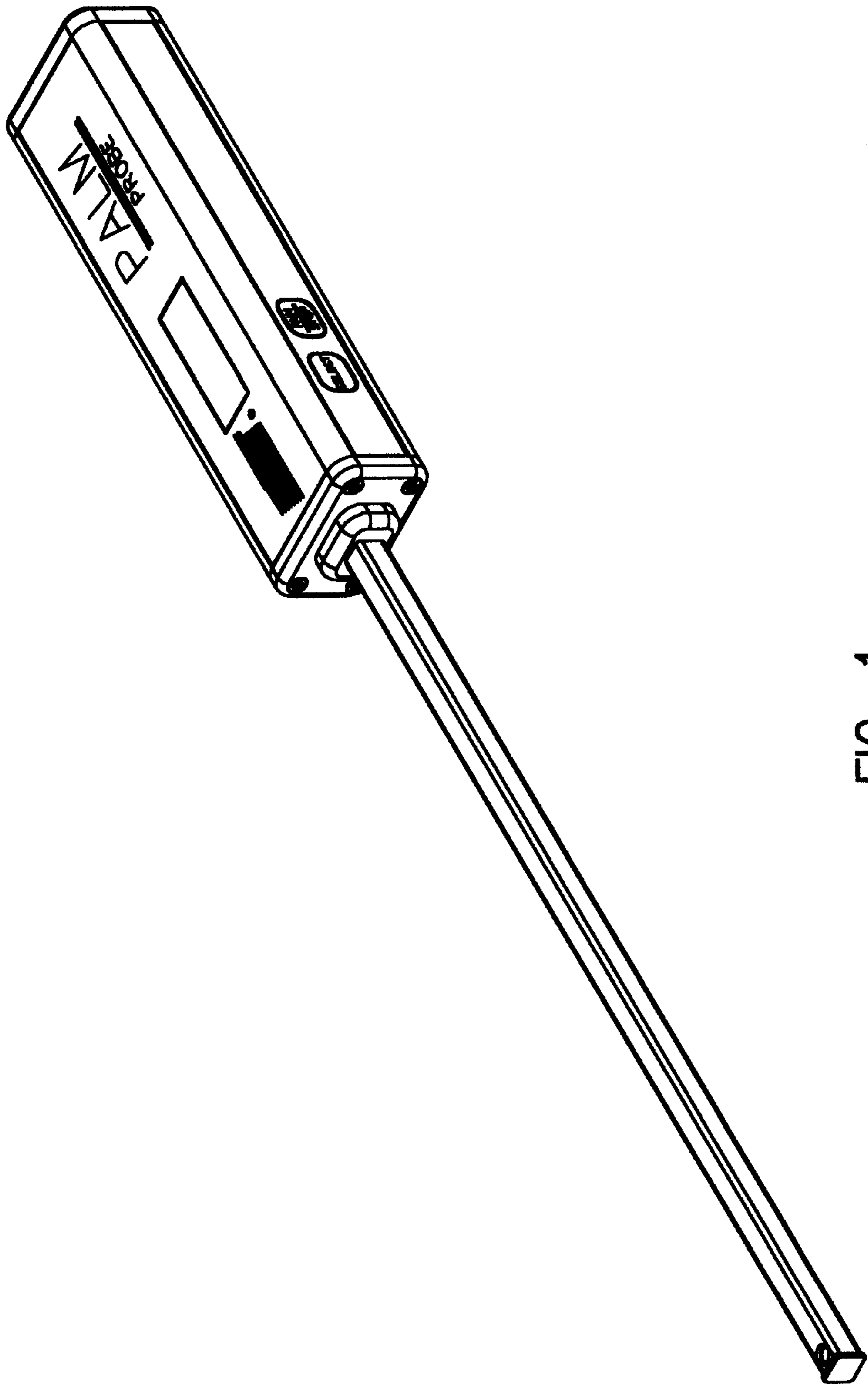


FIG. 1

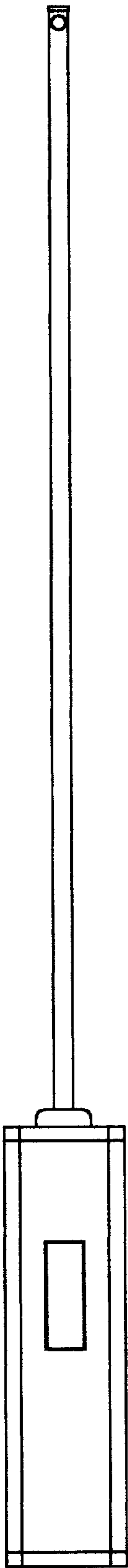


FIG. 2

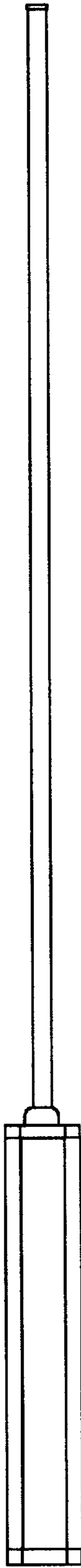


FIG. 3

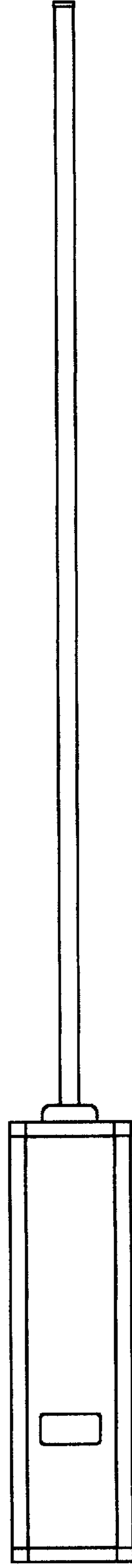


FIG. 4

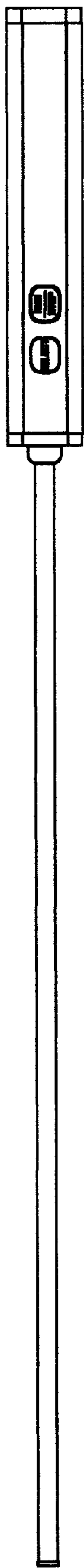


FIG. 5

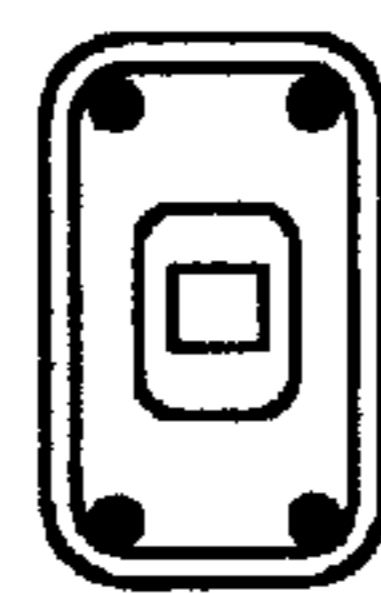


FIG. 6

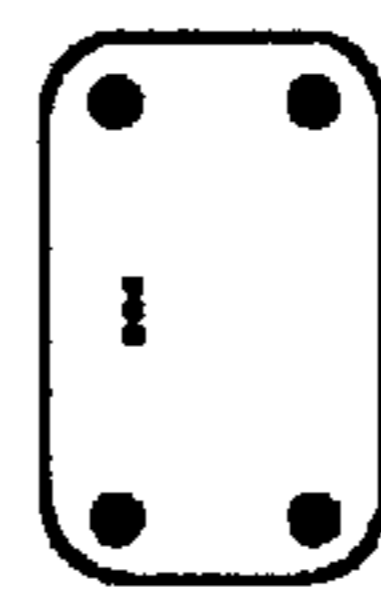


FIG. 7