



US00D451412B1

**(12) United States Design Patent  
Jacobs et al.**

(10) Patent No.: **US D451,412 S**

(45) Date of Patent: **\*\* Dec. 4, 2001**

(54) EASY SET TIMER 2

4,807,664 \* 2/1989 Wilson et al. .... 137/624.11

5,826,619 \* 10/1998 Roman ..... 37/624.11

(75) Inventors: **Scott Jacobs**, Bloomington; **Gary Redhead**, East Peoria; **Randy Symonds**, Peoria; **Joyce Thomas**, Lexington, all of IL (US)

**OTHER PUBLICATIONS**

Gardena brochure, 1996, Gardena Water Computer 1030, p. 31.\*

\* cited by examiner

(73) Assignee: **L. R. Nelson Corporation**, Peoria, IL (US)

*Primary Examiner*—Caron D. Veynar

(\*\*) Term: **14 Years**

*Assistant Examiner*—Elizabeth A. Albert

(21) Appl. No.: **29/121,188**

(74) *Attorney, Agent, or Firm*—Mayer, Brown & Platt

(22) Filed: **Mar. 30, 2000**

(57) **CLAIM**

The ornamental design for a easy set timer 2, as shown and described.

(51) LOC (7) Cl. .... **10-03**

**DESCRIPTION**

(52) U.S. Cl. .... **D10/40**

FIG. 1 is a perspective view of an easy set timer 2 showing our new design;

FIG. 2 is a top plan view thereof;

(58) Field of Search ..... D10/1-5, 14-41, D10/96, 99, 101; D23/214, 245; 239/67-70; 368/96-100; 137/624.11

FIG. 3 is a bottom plan view thereof,

(56) **References Cited**

**U.S. PATENT DOCUMENTS**

D. 365,771 \* 1/1996 Clivio ..... D10/96

FIG. 4 is a front elevational view thereof;

D. 377,316 \* 1/1997 Roman et al. .... D23/245

FIG. 5 is a right side elevational view thereof,

D. 430,044 \* 8/2000 Clivio ..... D10/40

FIG. 6 is a left side elevational view thereof; and,

D. 431,195 \* 9/2000 Clivio ..... D10/40

FIG. 7 is a rear elevational view thereof.

**1 Claim, 5 Drawing Sheets**

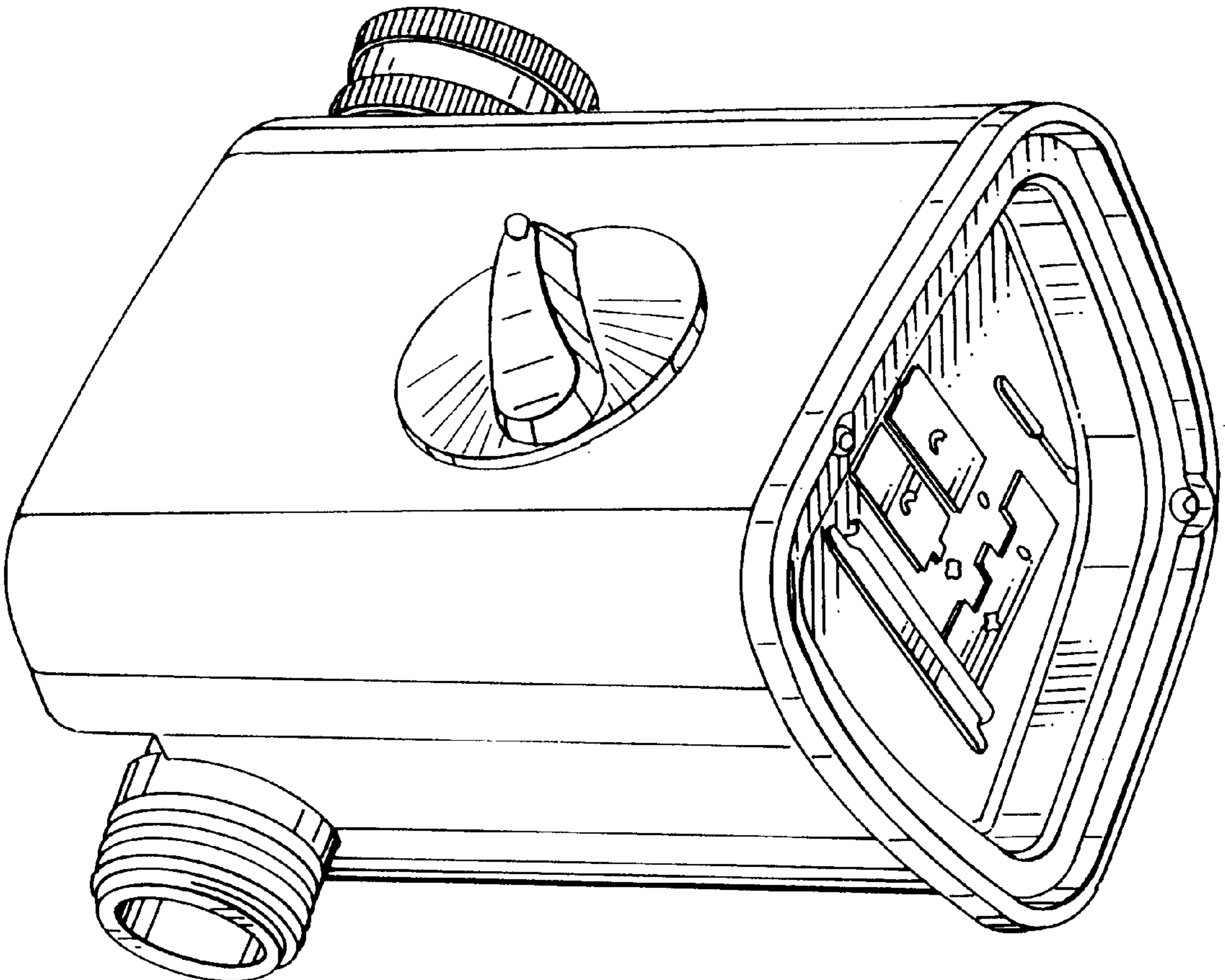


FIG. 1

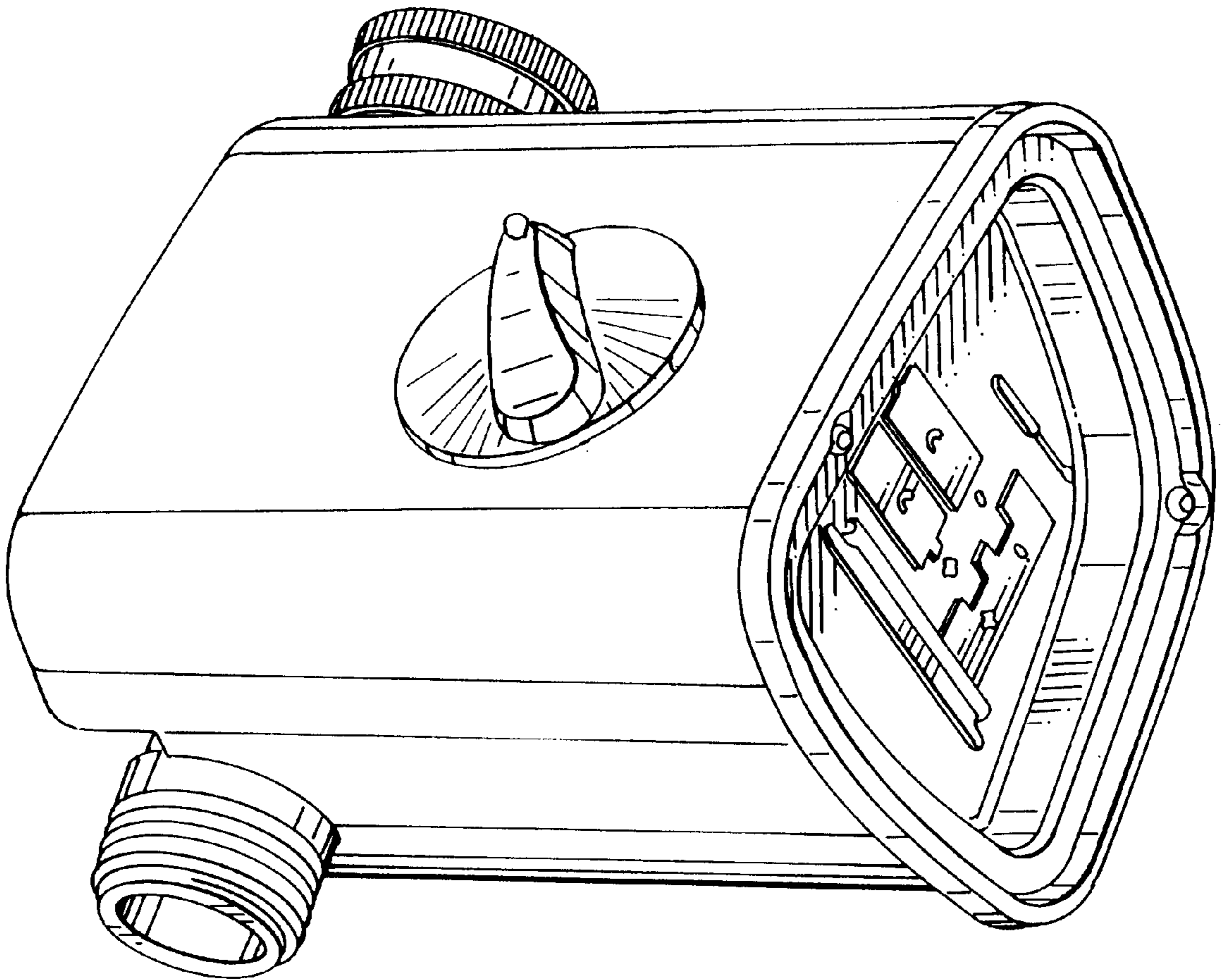


FIG. 2

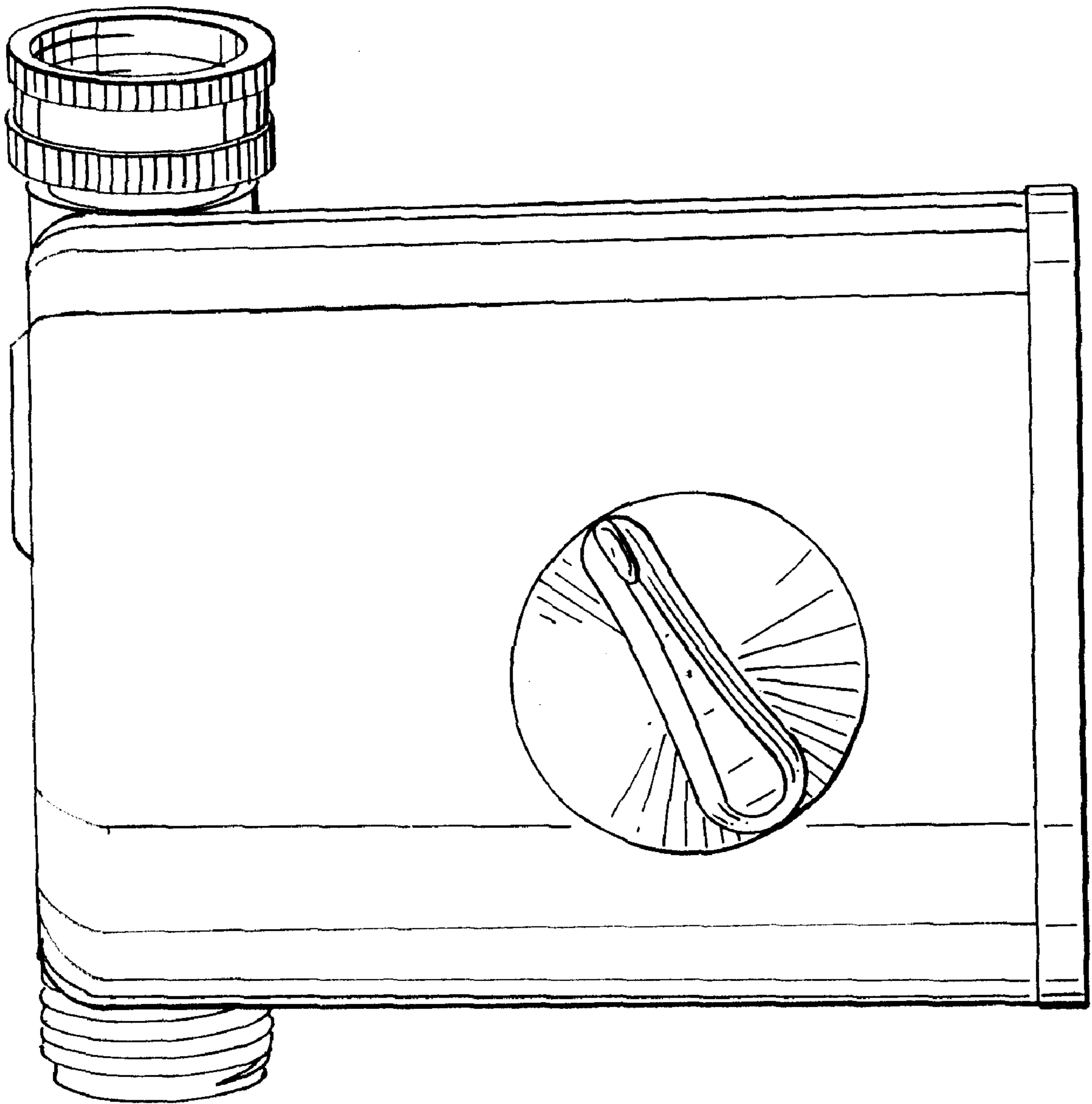


FIG. 3

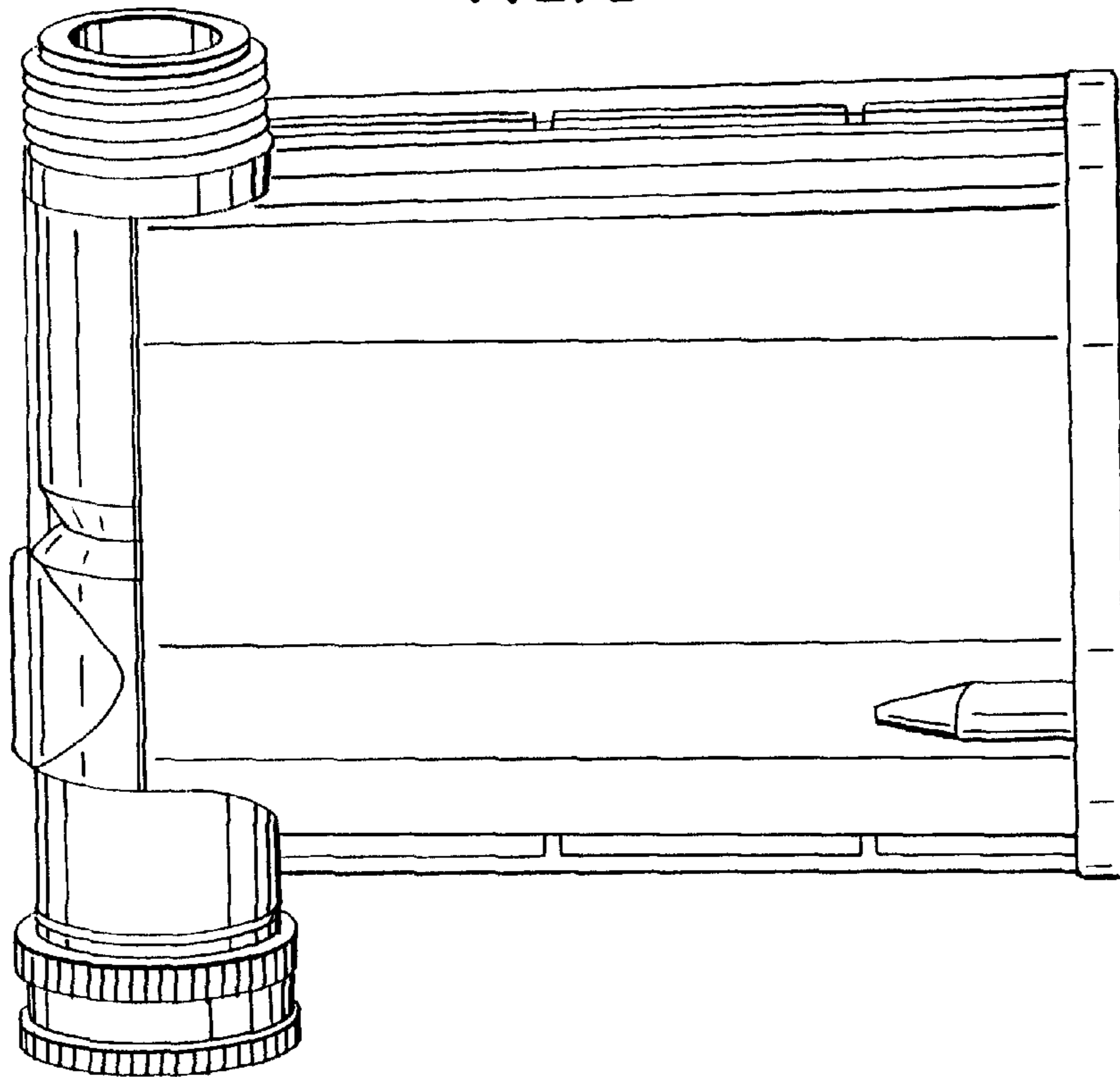


FIG. 4

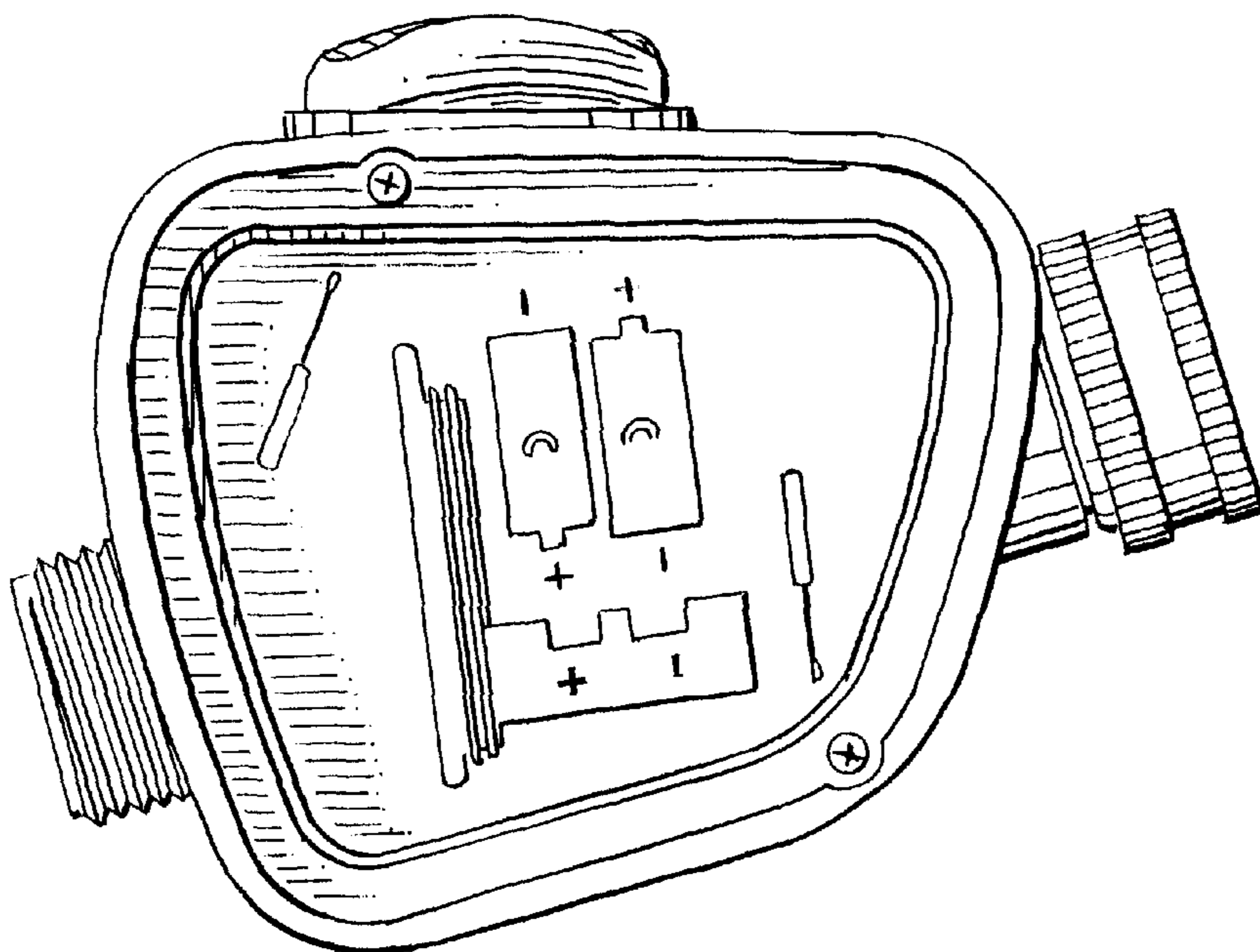


FIG. 5

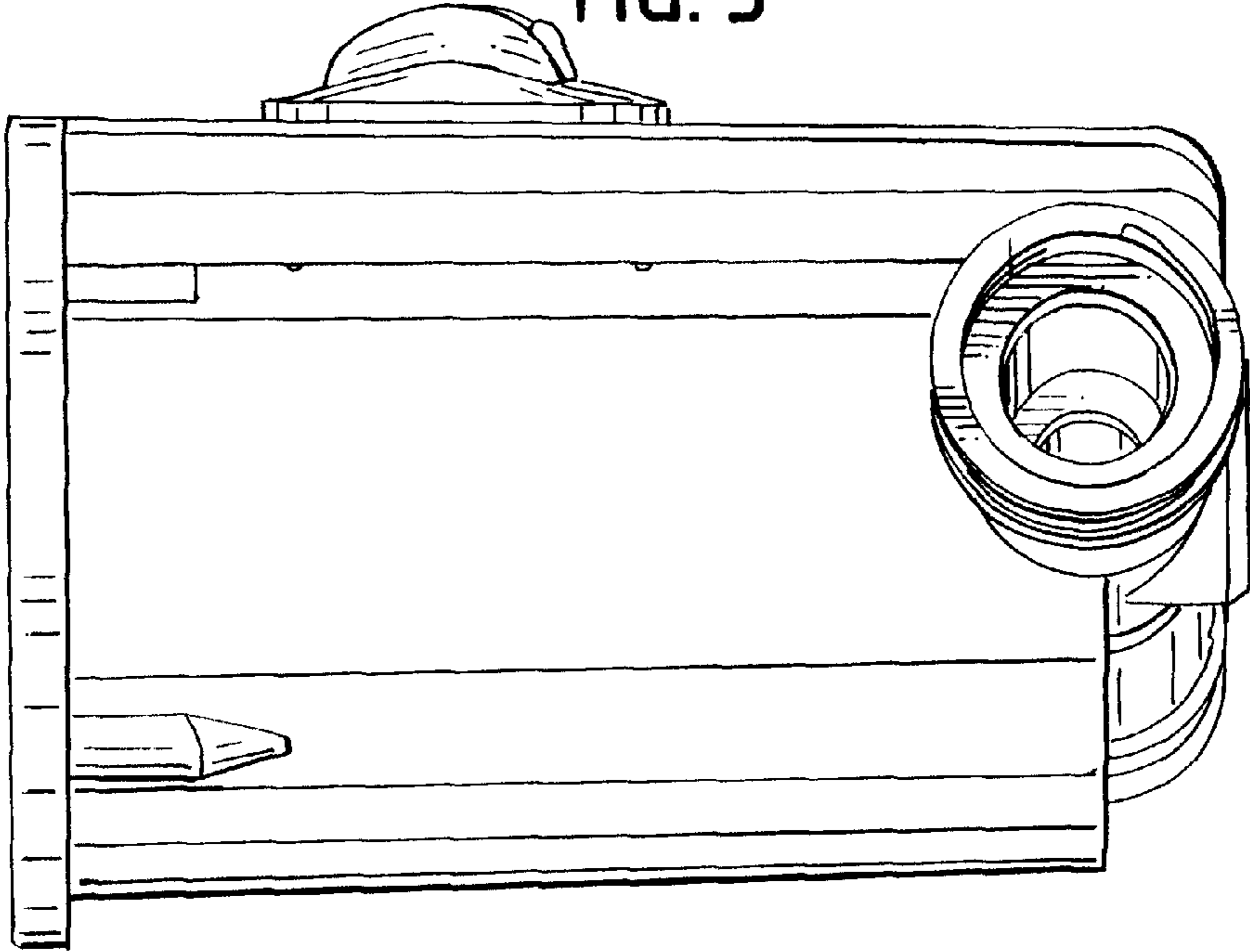


FIG. 6

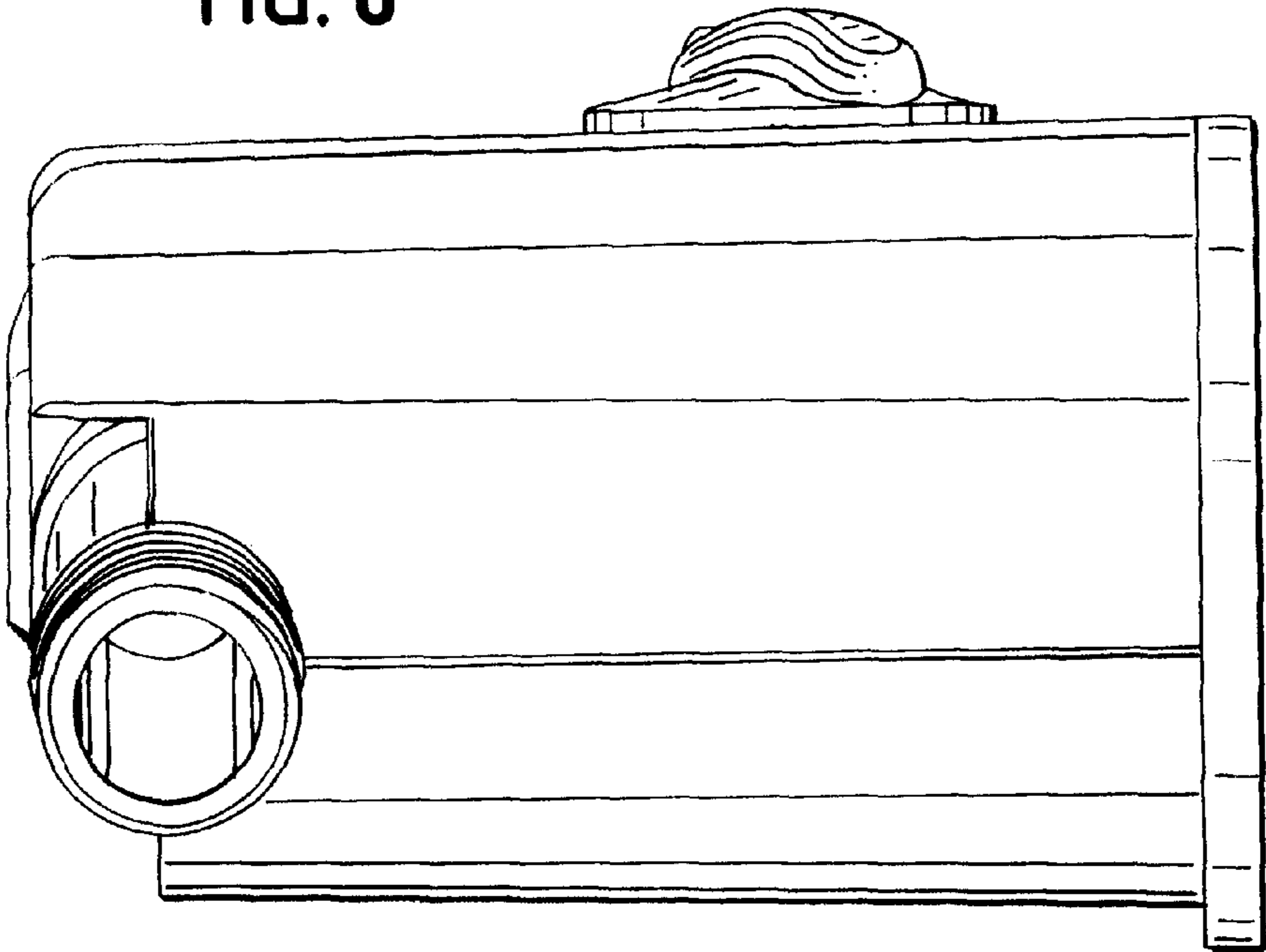


FIG. 7

