



US00D451411B1

(12) **United States Design Patent**  
**Jacobs et al.**

(10) **Patent No.:** **US D451,411 S**

(45) **Date of Patent:** **\*\* Dec. 4, 2001**

(54) **EASY SET TIMER 1**

4,807,664 \* 2/1989 Wilson et al. .... 137/624.11  
5,826,619 \* 10/1998 Roman ..... 37/624.11

(75) Inventors: **Scott Jacobs**, Bloomington; **Gary Redhead**, East Peoria; **Randy Symonds**, Peoria; **Joyce Thomas**, Lexington, all of IL (US)

**OTHER PUBLICATIONS**

Gardena brochure, 1996, Gardena Water Computer 1030, p. 31.\*

(73) Assignee: **L. R. Nelson Corporation**, Peoria, IL (US)

\* cited by examiner

(\*\*) Term: **14 Years**

*Primary Examiner*—Caron D. Veynar

*Assistant Examiner*—Elizabeth A. Albert

(21) Appl. No.: **29/121,026**

(74) *Attorney, Agent, or Firm*—Mayer, Brown & Platt

(22) Filed: **Mar. 30, 2000**

(57) **CLAIM**

The ornamental design for a easy set timer 1, as shown and described.

(51) **LOC (7) Cl.** ..... **10-03**

(52) **U.S. Cl.** ..... **D10/40**

(58) **Field of Search** ..... D10/1-5, 14-41,  
D10/96, 99, 101; D23/214, 245; 239/67-70;  
368/96-100; 137/624.11

**DESCRIPTION**

FIG. 1 is a perspective view of an easy set timer 1 showing our new design;

FIG. 2 is a top plan view thereof;

FIG. 3 is a bottom plan view thereof;

FIG. 4 is a front elevational view thereof;

FIG. 5 is a right side elevational view thereof;

FIG. 6 is a left side elevational view thereof; and,

FIG. 7 is a rear elevational view thereof.

(56) **References Cited**

**U.S. PATENT DOCUMENTS**

- D. 365,771 \* 1/1996 Clivio ..... D10/96
- D. 377,316 \* 1/1997 Roman et al. .... D23/245
- D. 430,044 \* 8/2000 Clivio ..... D10/40
- D. 431,195 \* 9/2000 Clivio ..... D10/40

**1 Claim, 5 Drawing Sheets**

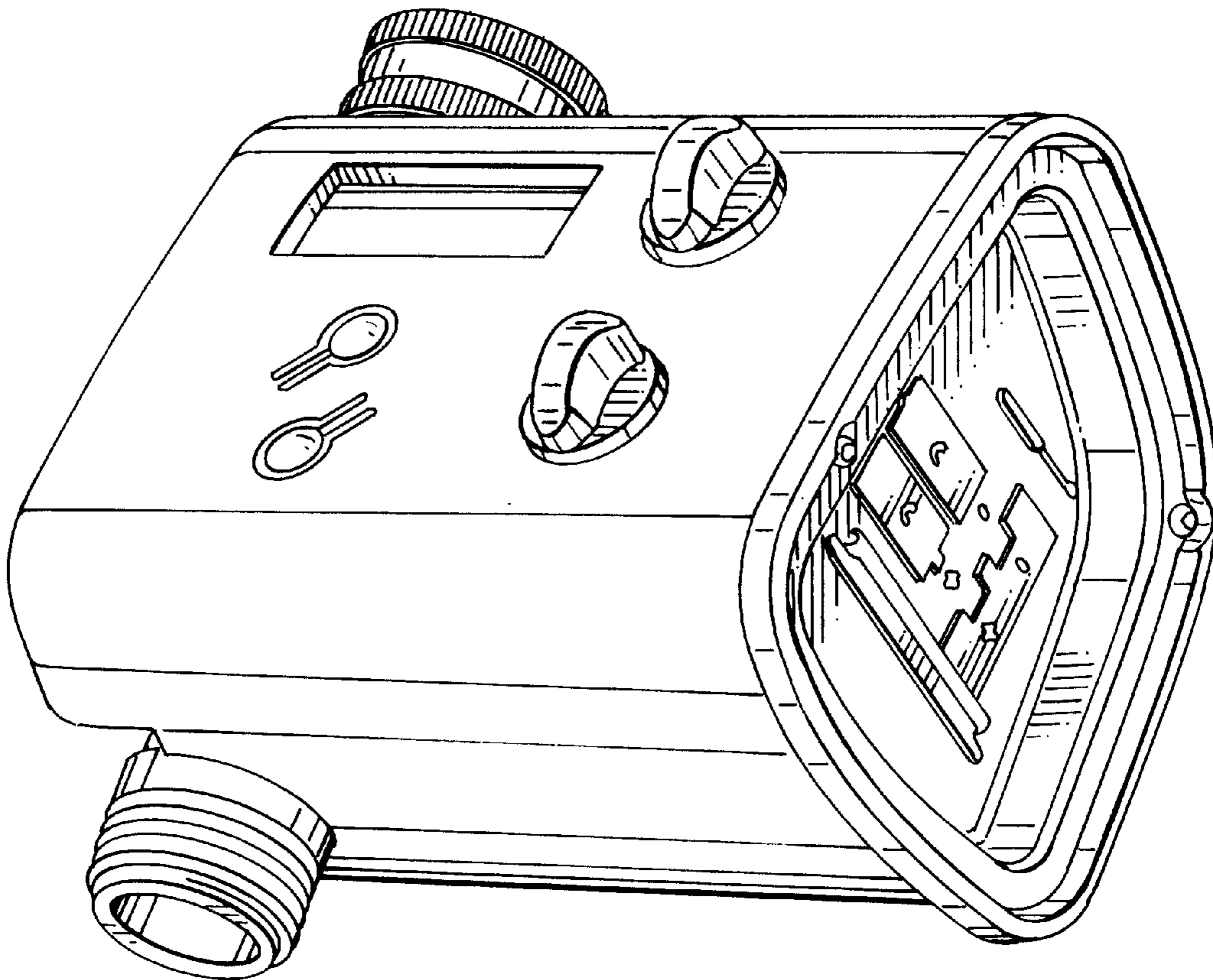


FIG. 1

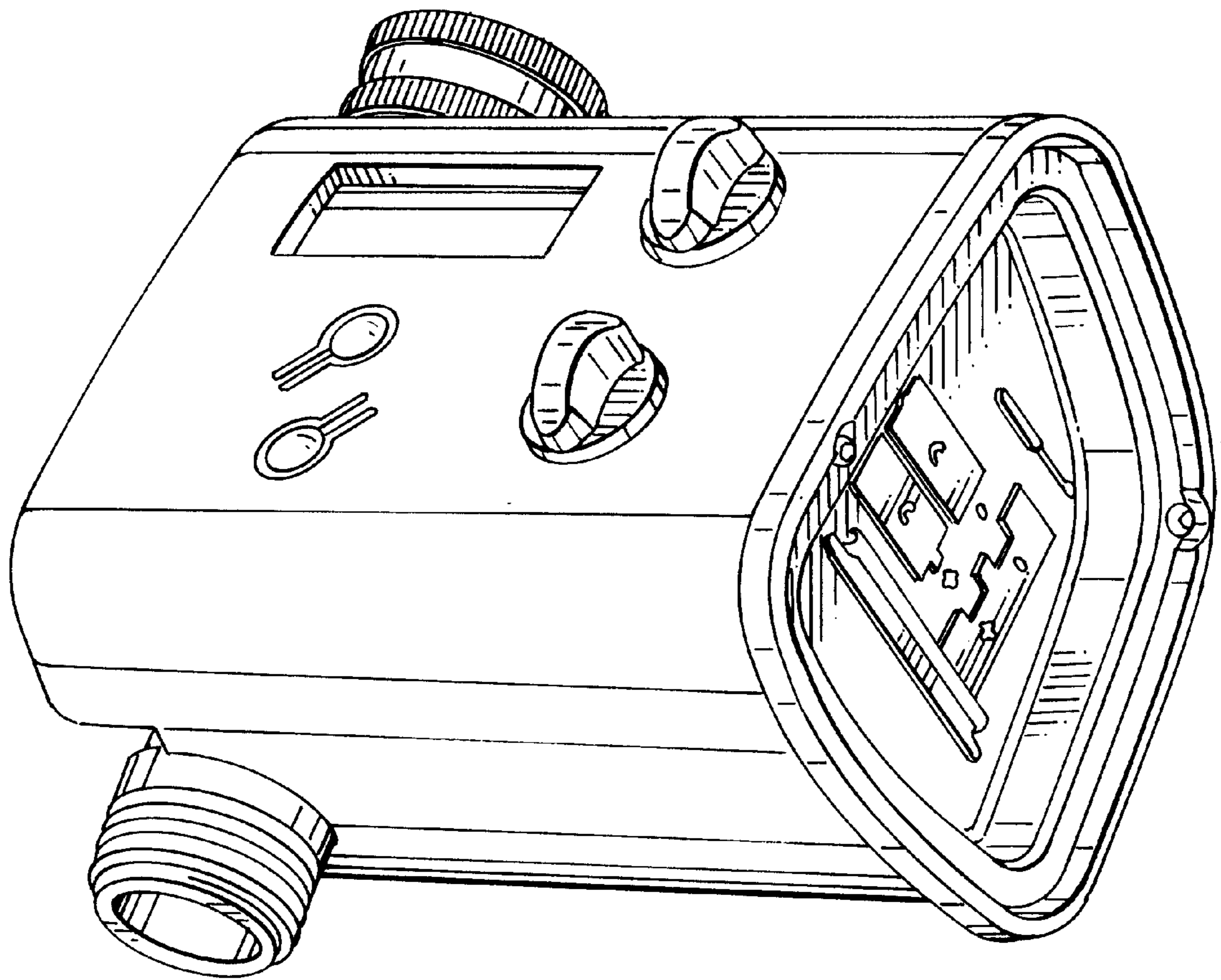


FIG. 2

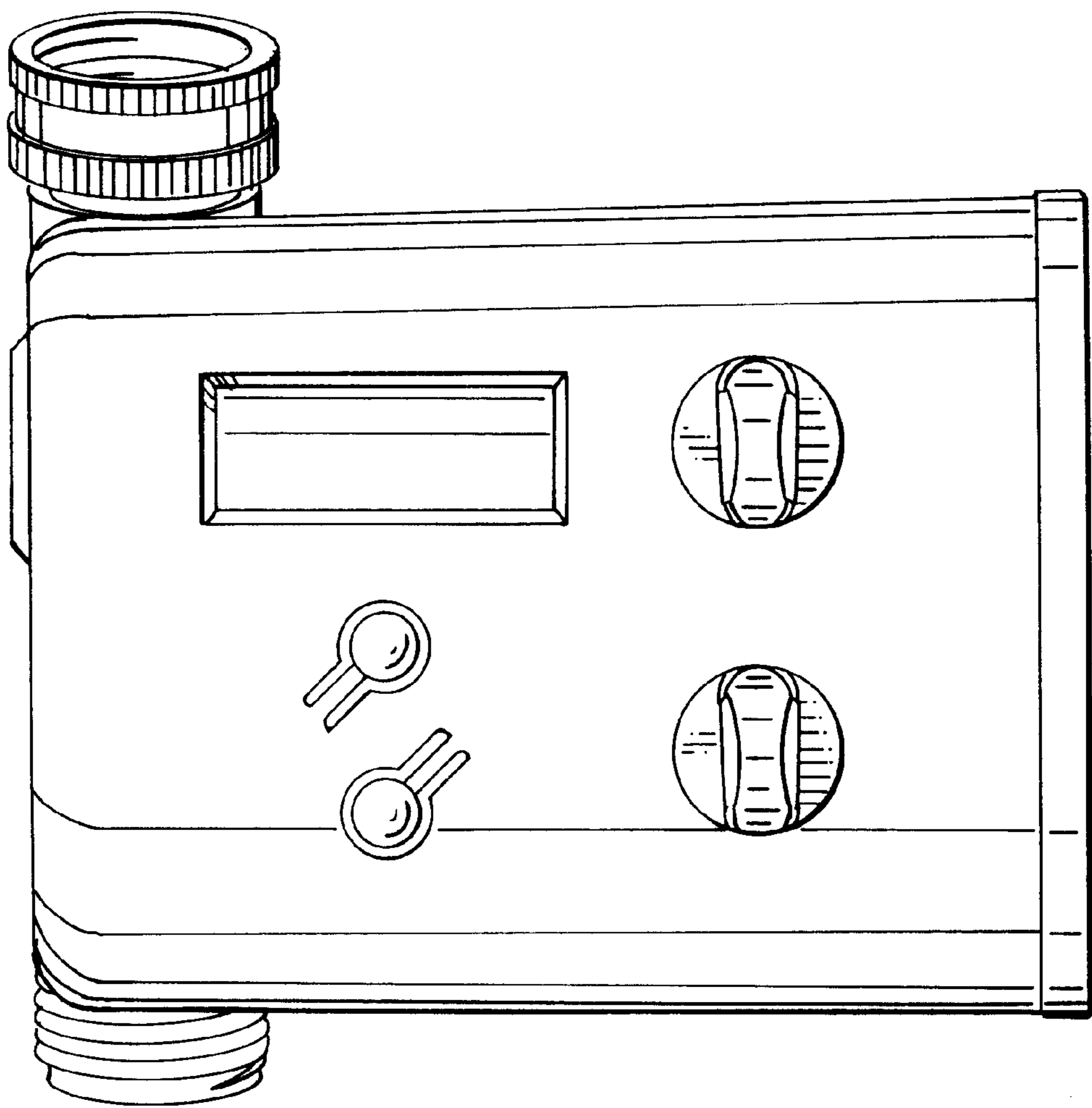


FIG. 3

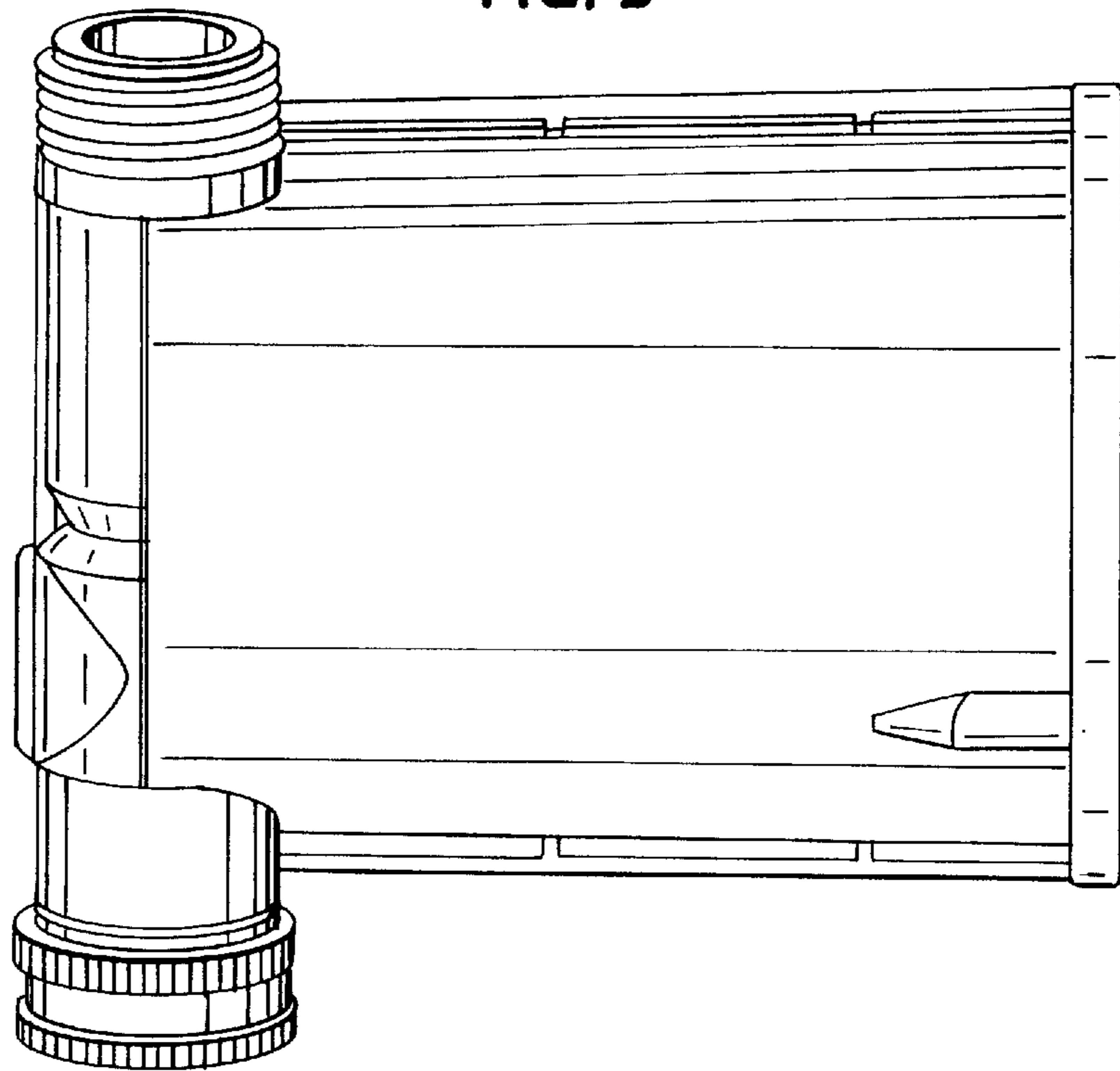


FIG. 4

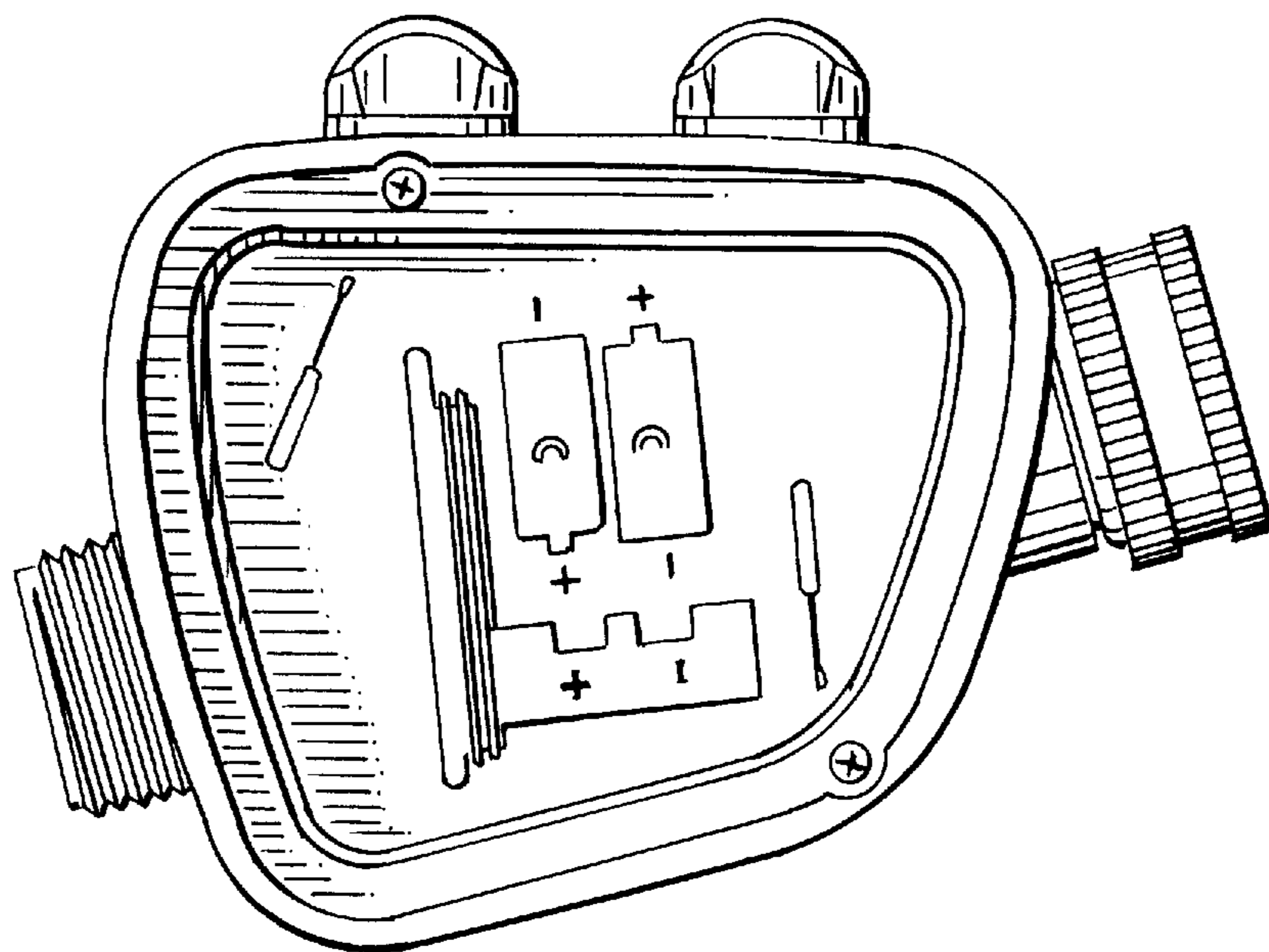


FIG. 5

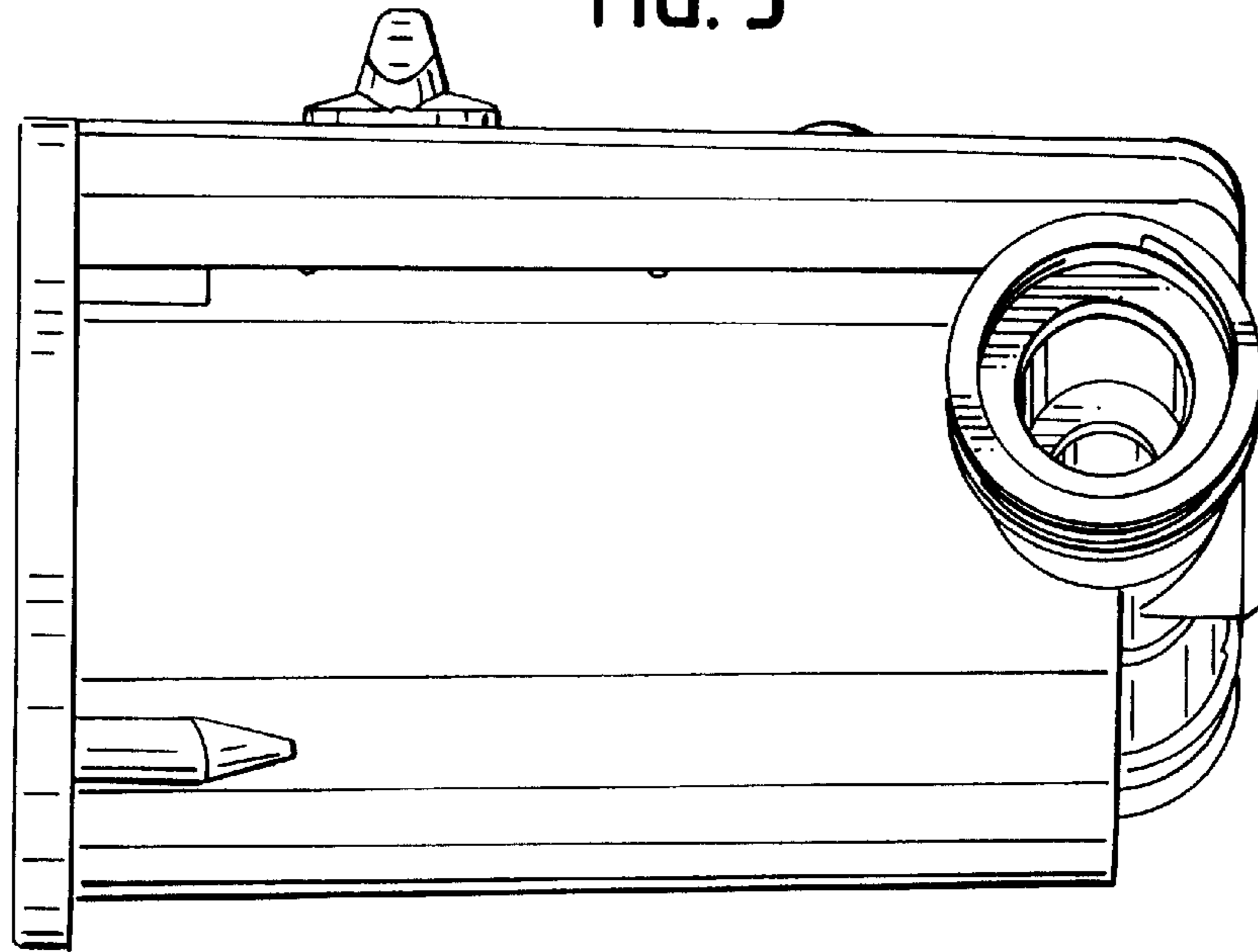


FIG. 6

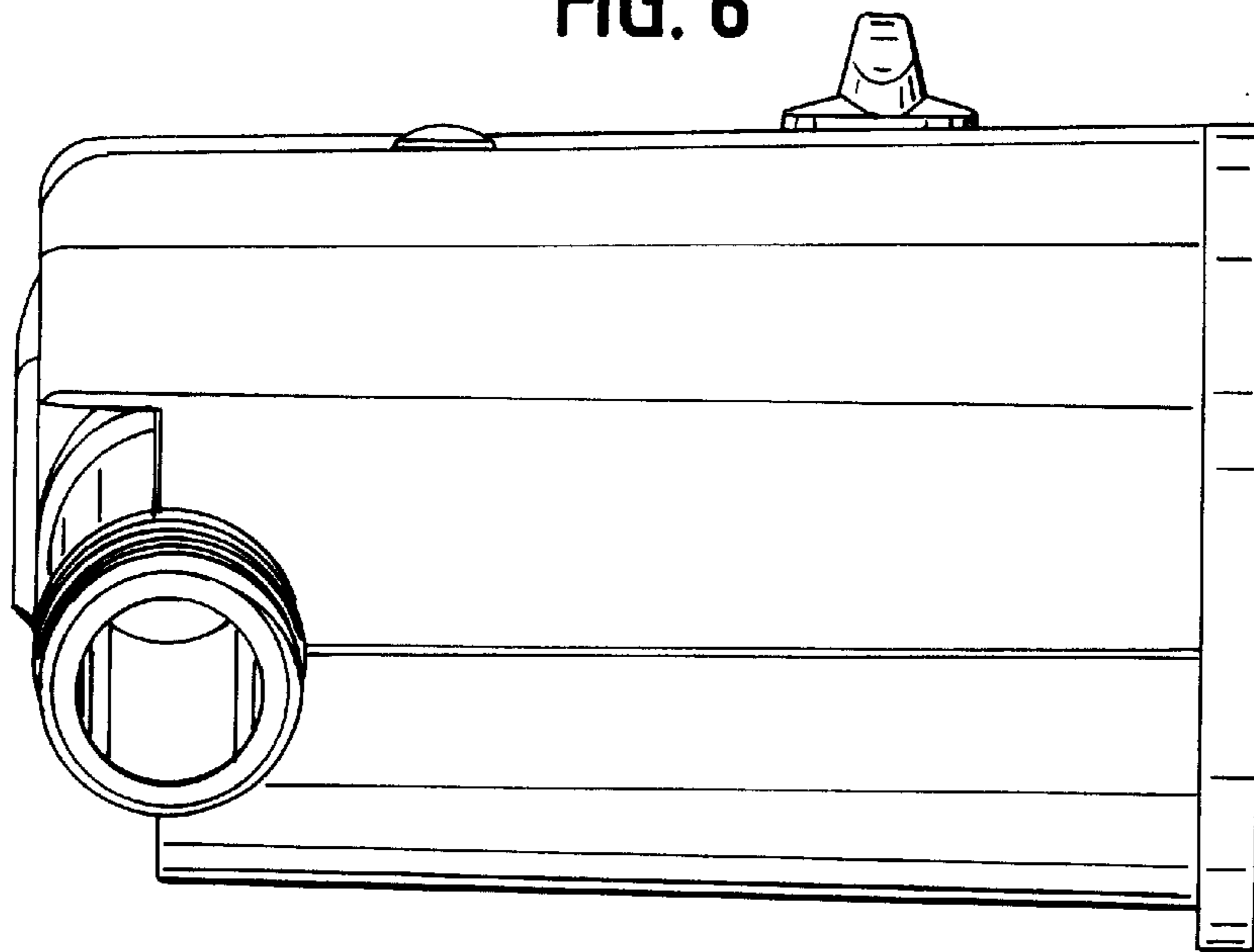




FIG. 7

