



US00D451401B1

(12) **United States Design Patent**  
**Silvers et al.**

(10) **Patent No.:** **US D451,401 S**

(45) **Date of Patent:** **\*\* Dec. 4, 2001**

(54) **BOTTLE**

(75) Inventors: **Kerry W. Silvers**, Chelsea; **Timothy J. Boyd**, Ypsilanti; **Dwayne G. Vaillencourt**, Manchester; **Richard J. Steih**, Britton, all of MI (US)

(73) Assignee: **Schmalbach-Lubeca AG** (DE)

(\*\*) Term: **14 Years**

(21) Appl. No.: **29/102,553**

(22) Filed: **Mar. 26, 1999**

(51) **LOC (7) Cl.** ..... **09-01**

(52) **U.S. Cl.** ..... **D9/538; D9/551**

(58) **Field of Search** ..... D9/500, 502, 503, D9/506, 516, 549, 551, 556, 557, 558, 569, 570, 574, 575, 540-542, 530, 538-539, 544-546, 550, 559-560, 522, 564, 571-573, 510, 454; 215/382-384; 220/253-254, 258, 662, 669

(56) **References Cited**

**U.S. PATENT DOCUMENTS**

D. 200,603	*	3/1965	Petitto	.....	D9/538
D. 315,869	*	4/1991	Collette	.....	D9/551
D. 321,830	*	11/1991	York et al.	.....	D9/434
D. 345,693	*	4/1994	Edstrom	.....	D9/538
D. 366,416	*	1/1996	Semersky	.....	D9/434
D. 402,563	*	12/1998	Prevot et al.	.....	D9/538
D. 424,943	*	5/2000	Kokenge et al.	.....	D9/504
D. 428,814	*	8/2000	Silvers et al.	.....	D9/502

D. 429,647	*	8/2000	Warner et al.	.....	D9/538
3,862,698		1/1975	Hafele	.	
5,072,841		12/1991	Okhai	.	
5,092,474	*	3/1992	Leighner	.....	215/381
5,092,475	*	3/1992	Krishnakumar et al.	.....	215/381
5,303,834	*	4/1994	Krishnakumar et al.	.....	215/381
5,477,974	*	12/1995	Reil et al.	.....	215/382
5,704,503	*	1/1998	Krishnakumar et al.	.....	215/381
6,016,932	*	1/2000	Gaydosh et al.	.....	215/382

\* cited by examiner

*Primary Examiner*—Adir Aronovich

*Assistant Examiner*—Carol Rademaker

(74) *Attorney, Agent, or Firm*—Harness, Dickey & Pierce, P.L.C.

(57) **CLAIM**

The ornamental design of a bottle, substantially as shown and described.

**DESCRIPTION**

FIG. 1 is a perspective view of the bottle of the present invention;

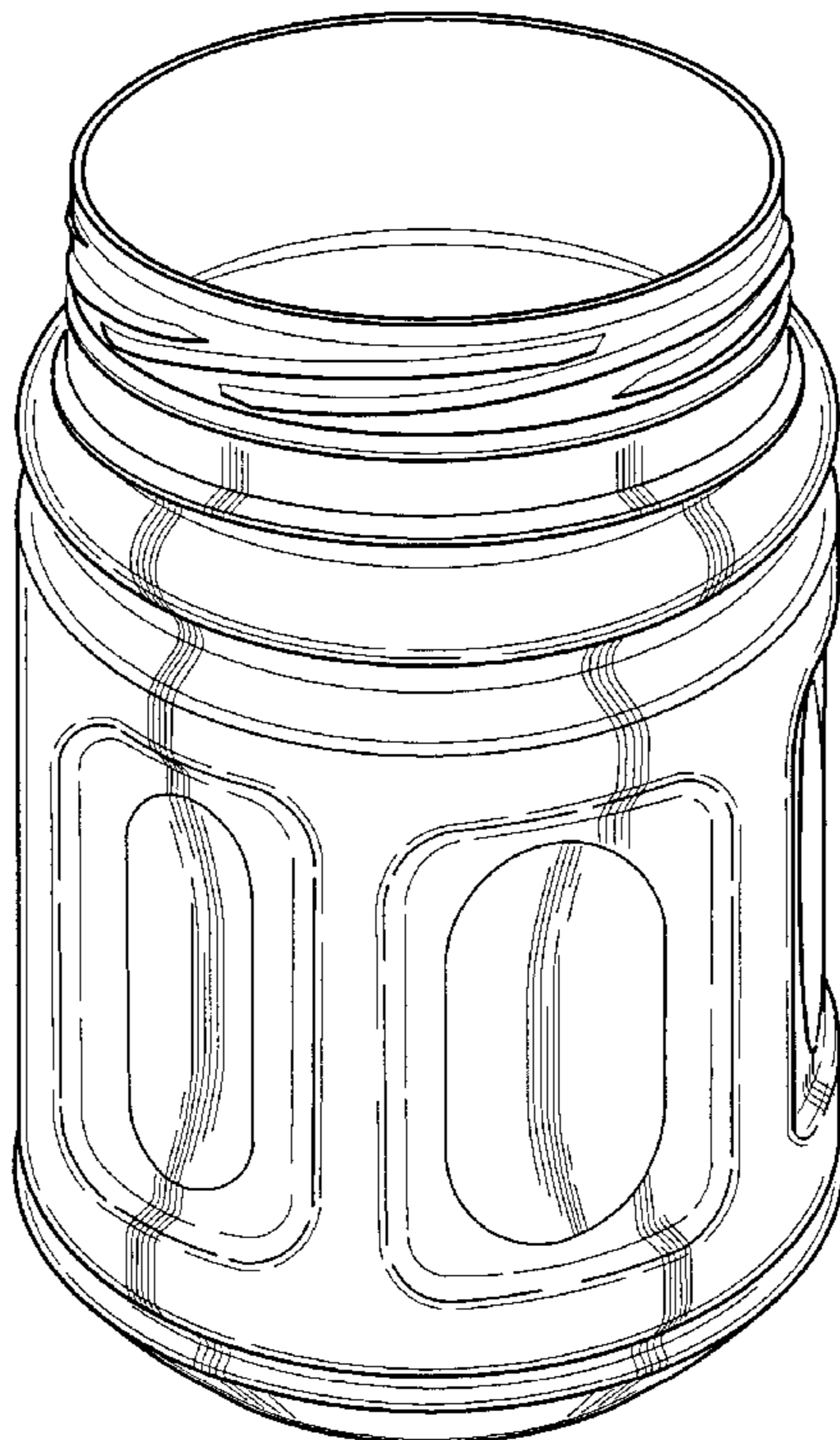
FIG. 2 is a top plan view of the bottle seen in FIG. 1;

FIG. 3 is a side elevational view of the bottle of the present invention; and,

FIG. 4 is a side elevational view similar to FIG. 3 with the bottle having been rotated approximately 30°.

The phantom line portions of the drawings are shown for illustrative purposes and form no part of the present invention. The bottom portion of the bottle is plain and unornamental.

**1 Claim, 2 Drawing Sheets**



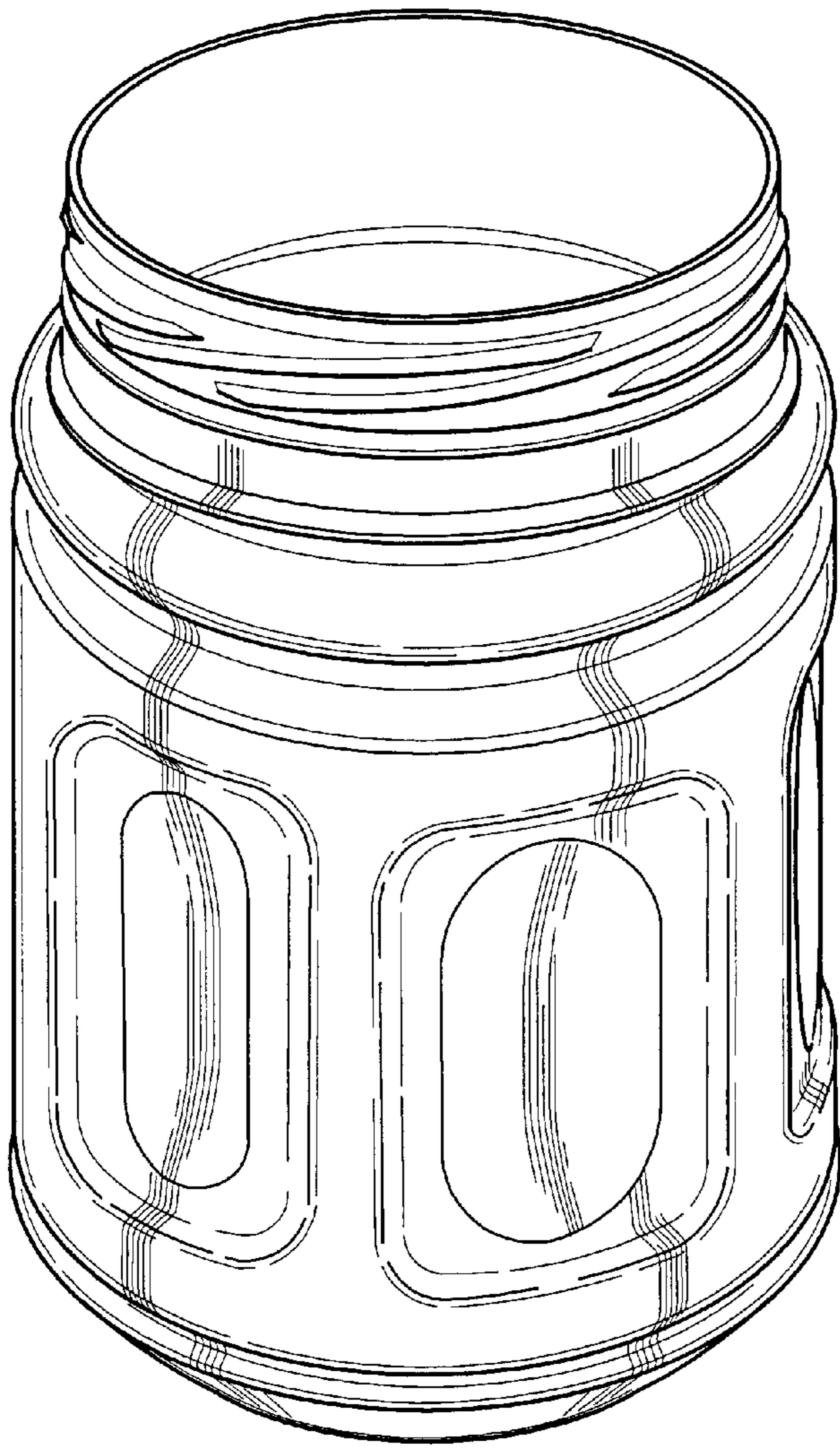


Figure - 1

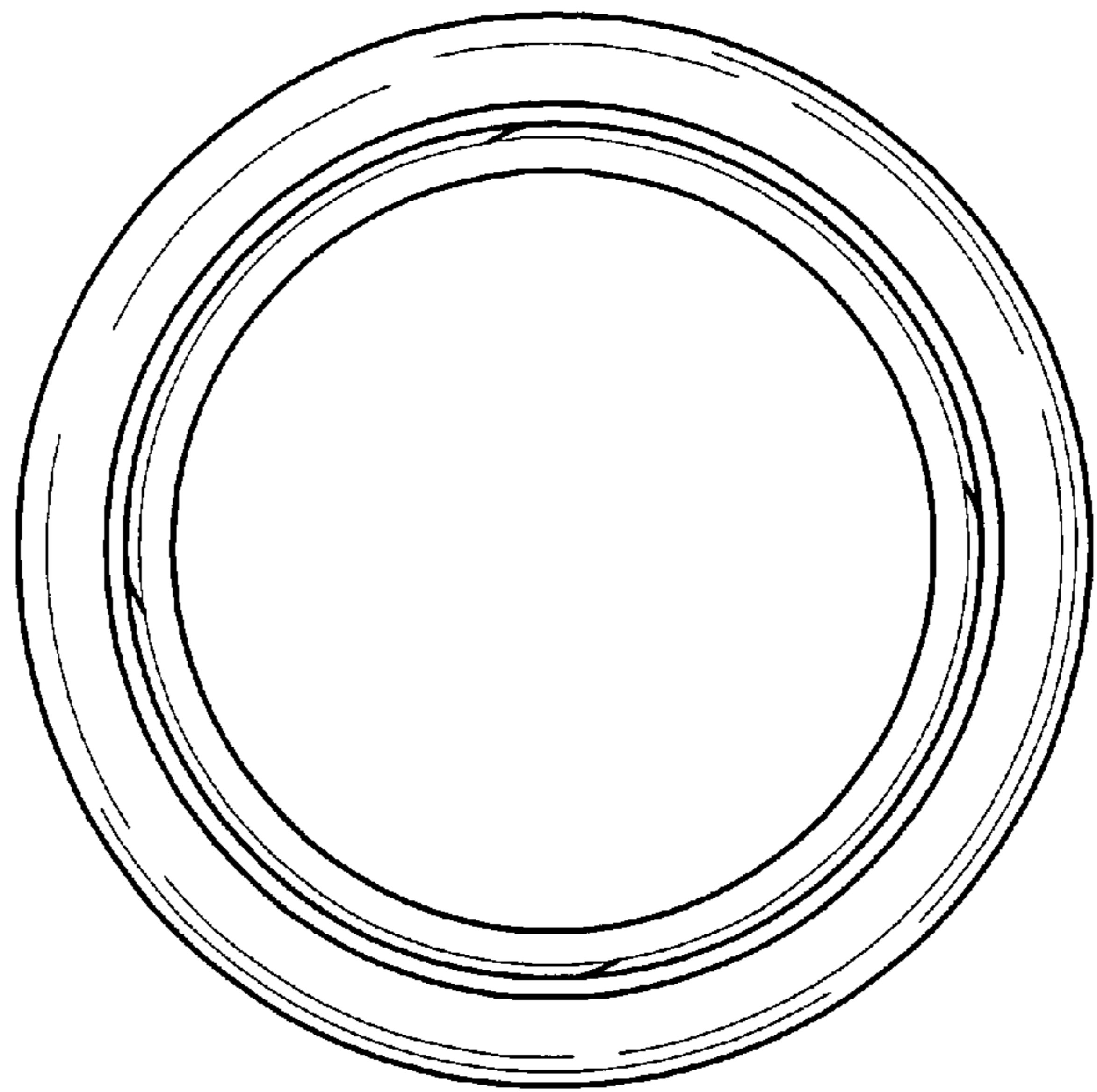


Figure - 2

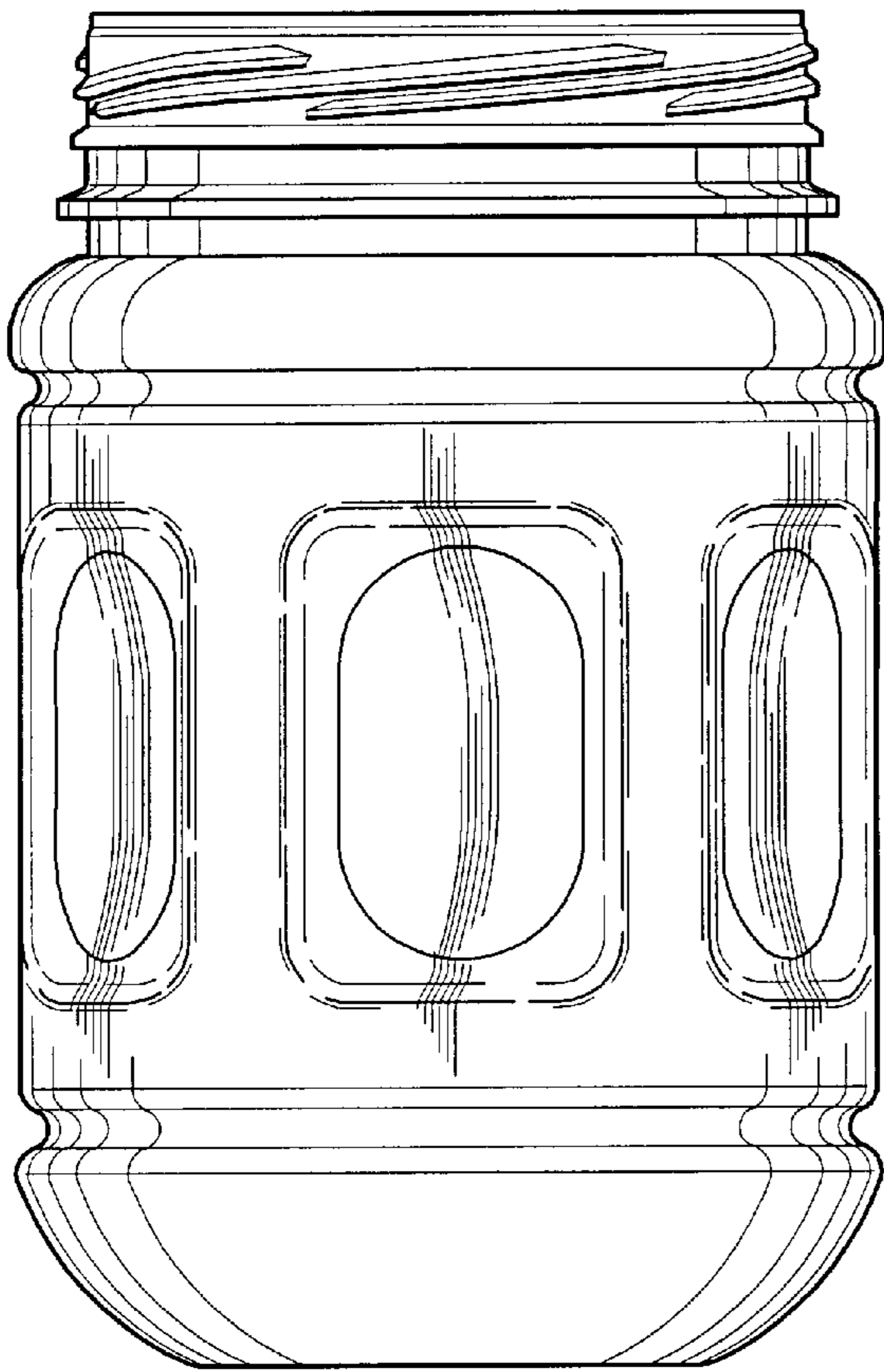


Figure - 3

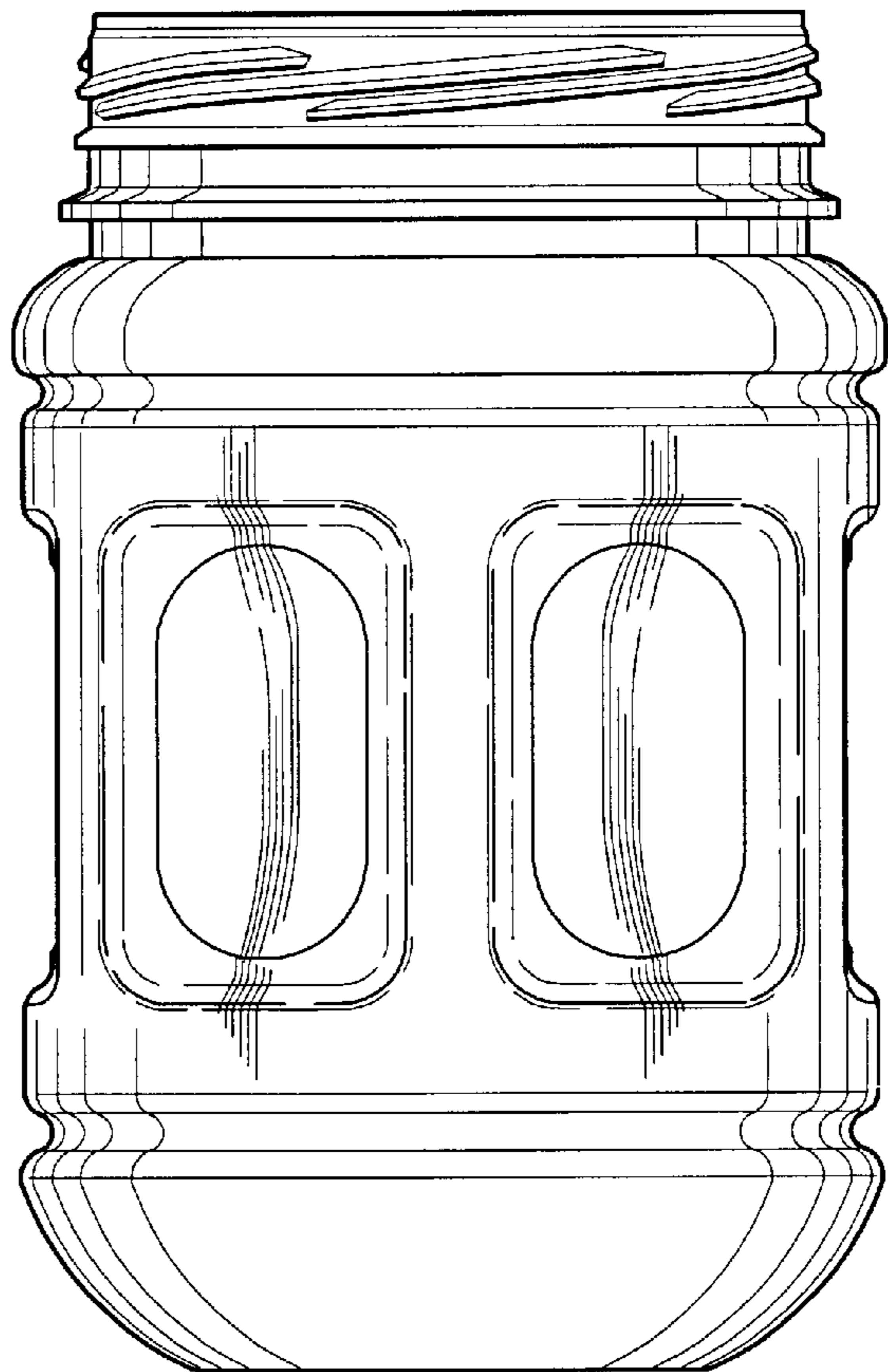


Figure - 4