



US00D451392B1

(12) **United States Design Patent**
Kitamura et al.

(10) **Patent No.:** **US D451,392 S**

(45) **Date of Patent:** **** Dec. 4, 2001**

(54) **LIQUID CONTAINER LID**

(75) Inventors: **Nobuyuki Kitamura; Nobuyuki Enomoto; Jachyung Lee; Shinsuke Nomura**, all of Kyoto (JP)

(73) Assignee: **Nippon Sanso Corporation**, Tokyo (JP)

(**) Term: **14 Years**

(21) Appl. No.: **29/123,180**

(22) Filed: **May 12, 2000**

(30) **Foreign Application Priority Data**

Nov. 16, 1999 (JP) 11-31589

(51) **LOC (7) Cl.** **09-07**

(52) **U.S. Cl.** **D9/447**

(58) **Field of Search** D9/435, 440, 447, D9/449, 450, 452, 453, 454; 215/235, 236, 244, 245; 220/244, 334, 337-343

(56) **References Cited**

U.S. PATENT DOCUMENTS

D. 361,265 * 8/1995 Doxey D9/435

D. 369,942 * 5/1996 Ahern, Jr. D9/447 X
D. 394,184 * 5/1998 Demore D9/454 X
D. 397,613 * 9/1998 Haley D9/448
D. 436,862 * 1/2001 Witt et al. D9/438
5,875,908 * 3/1999 Witt et al. 215/256

* cited by examiner

Primary Examiner—Cathron C. Brooks

(74) *Attorney, Agent, or Firm*—Merchant & Gould P.C.

(57) **CLAIM**

The ornamental design for a liquid container lid, as shown and described.

DESCRIPTION

FIG. 1 is a perspective view of a liquid container lid showing my new design;

FIG. 2 is a front view thereof;

FIG. 3 is a top plan view thereof;

FIG. 4 is a left side view thereof;

FIG. 5 is a right side view thereof;

FIG. 6 is a top plan view thereof, in a partially open position;

FIG. 7 is a top plan view thereof, in a fully open position;

and,

FIG. 8 is a perspective view thereof, in a fully open position.

1 Claim, 3 Drawing Sheets

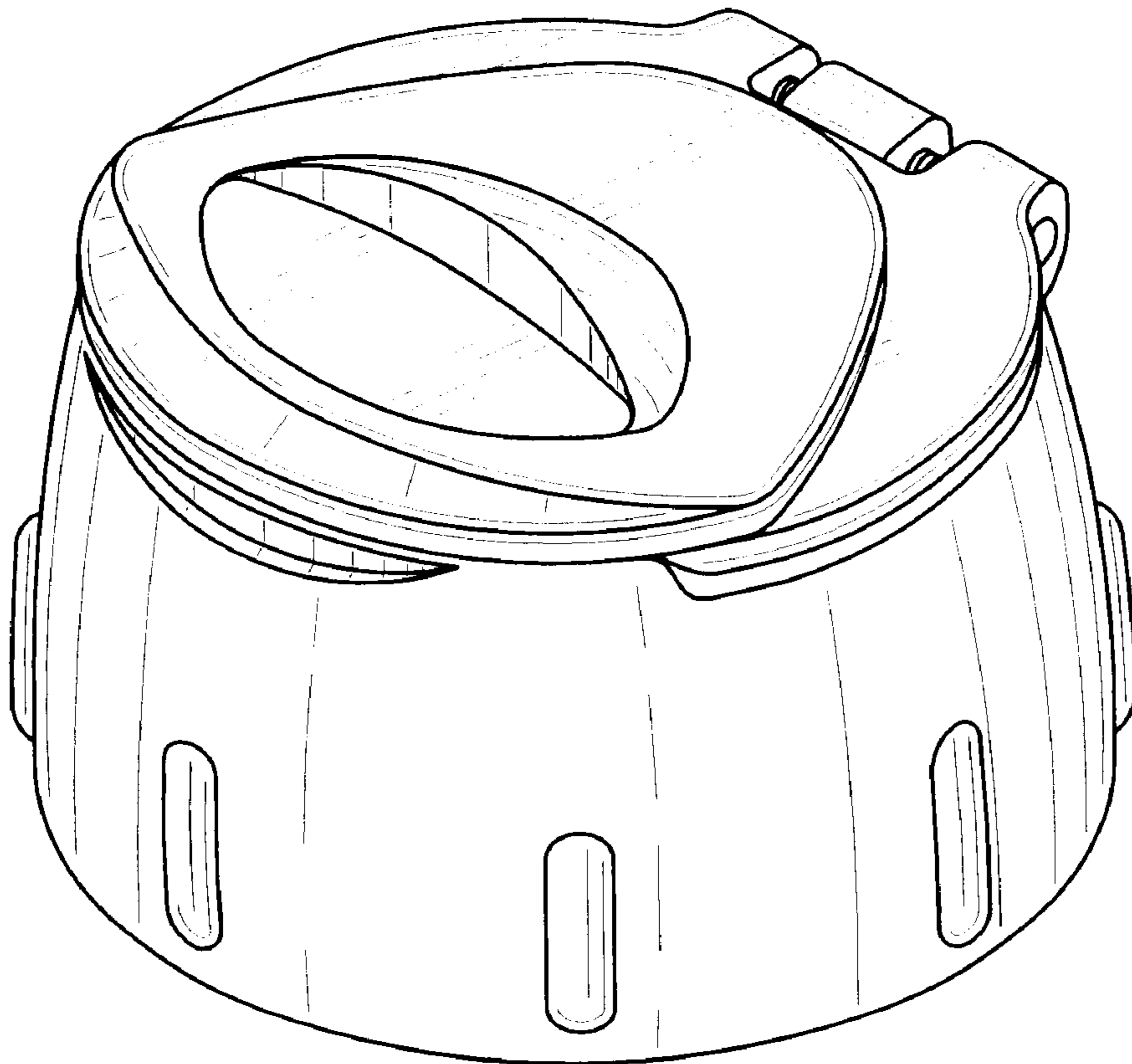


FIG. 1

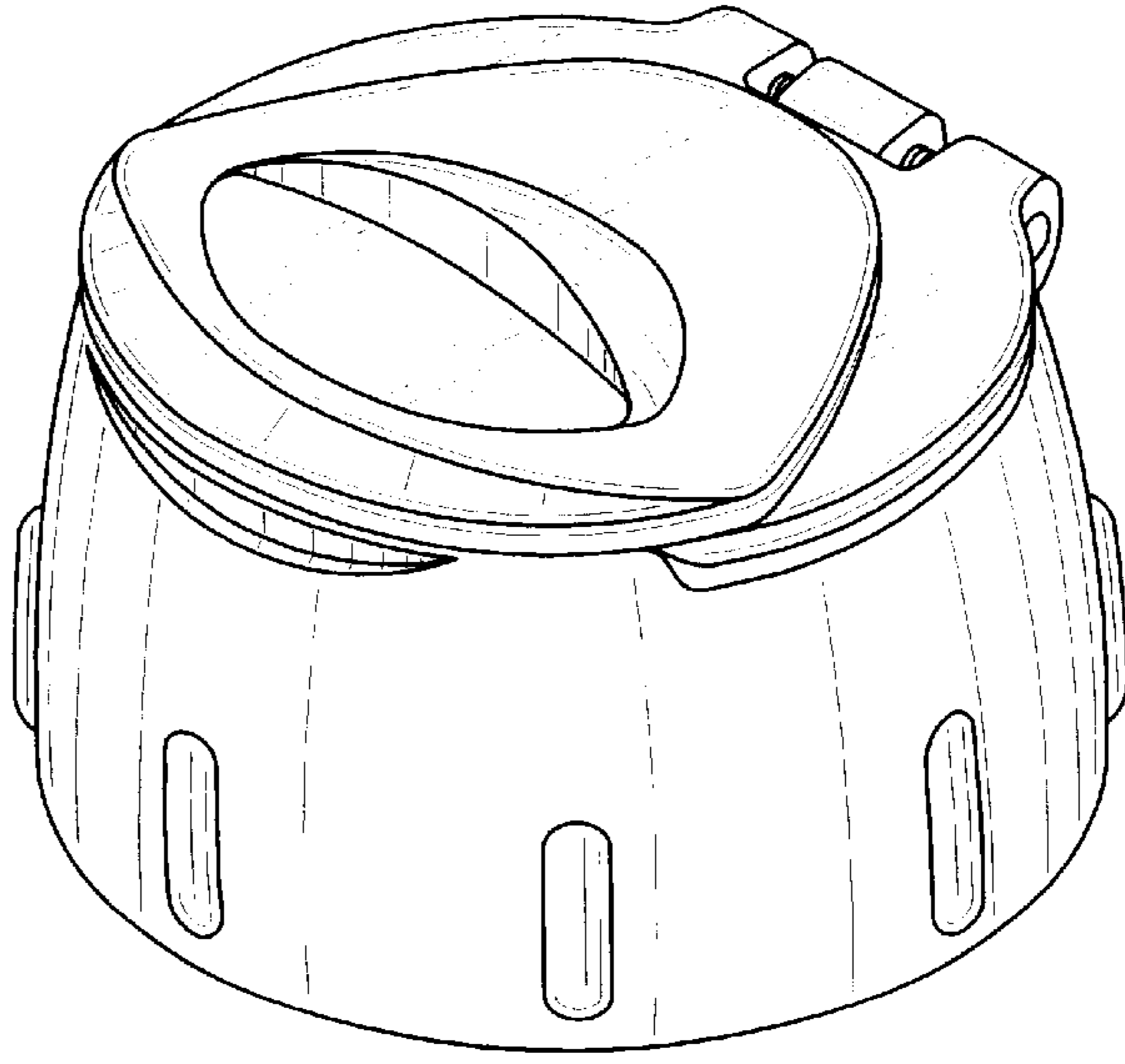


FIG. 2

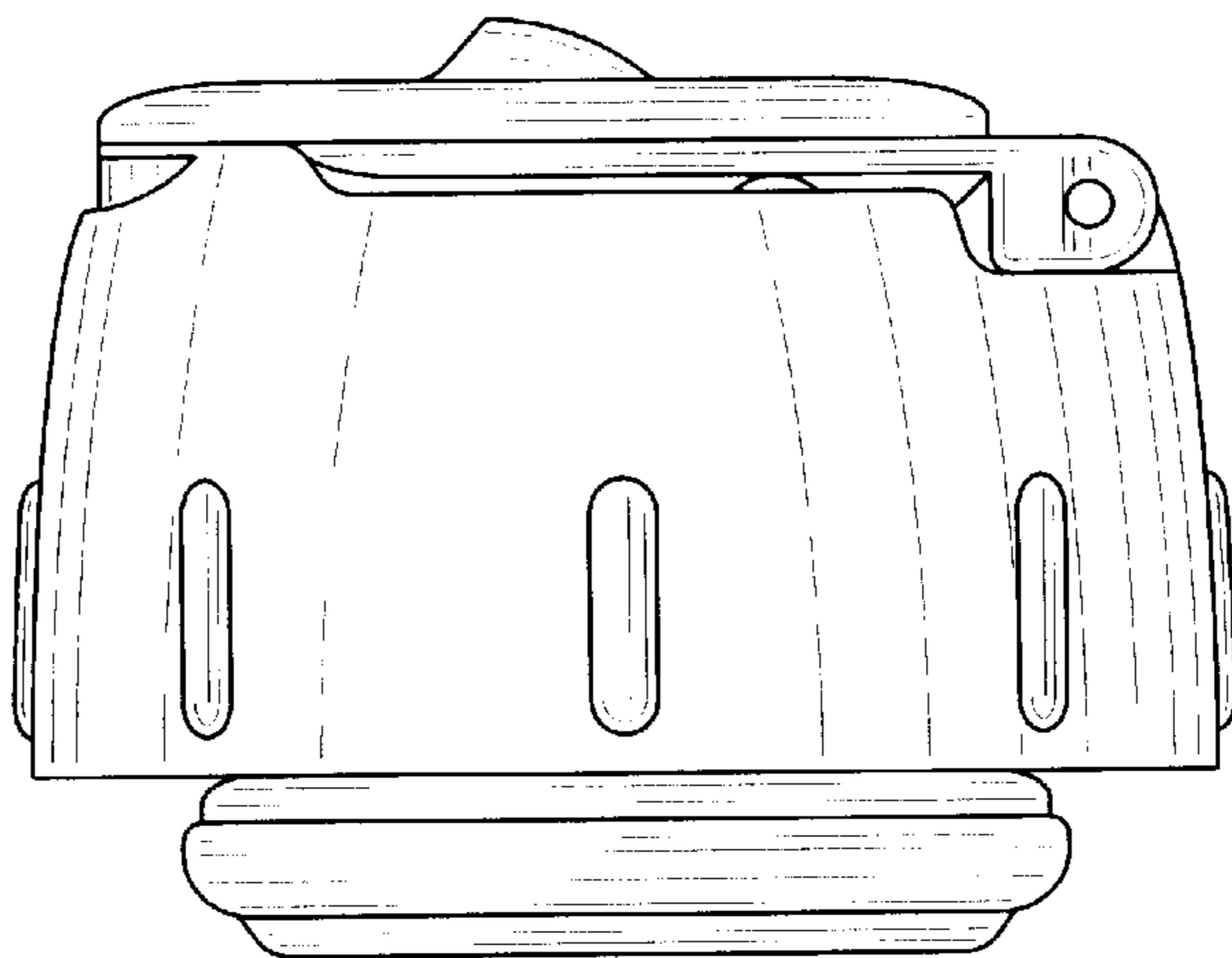


FIG. 3

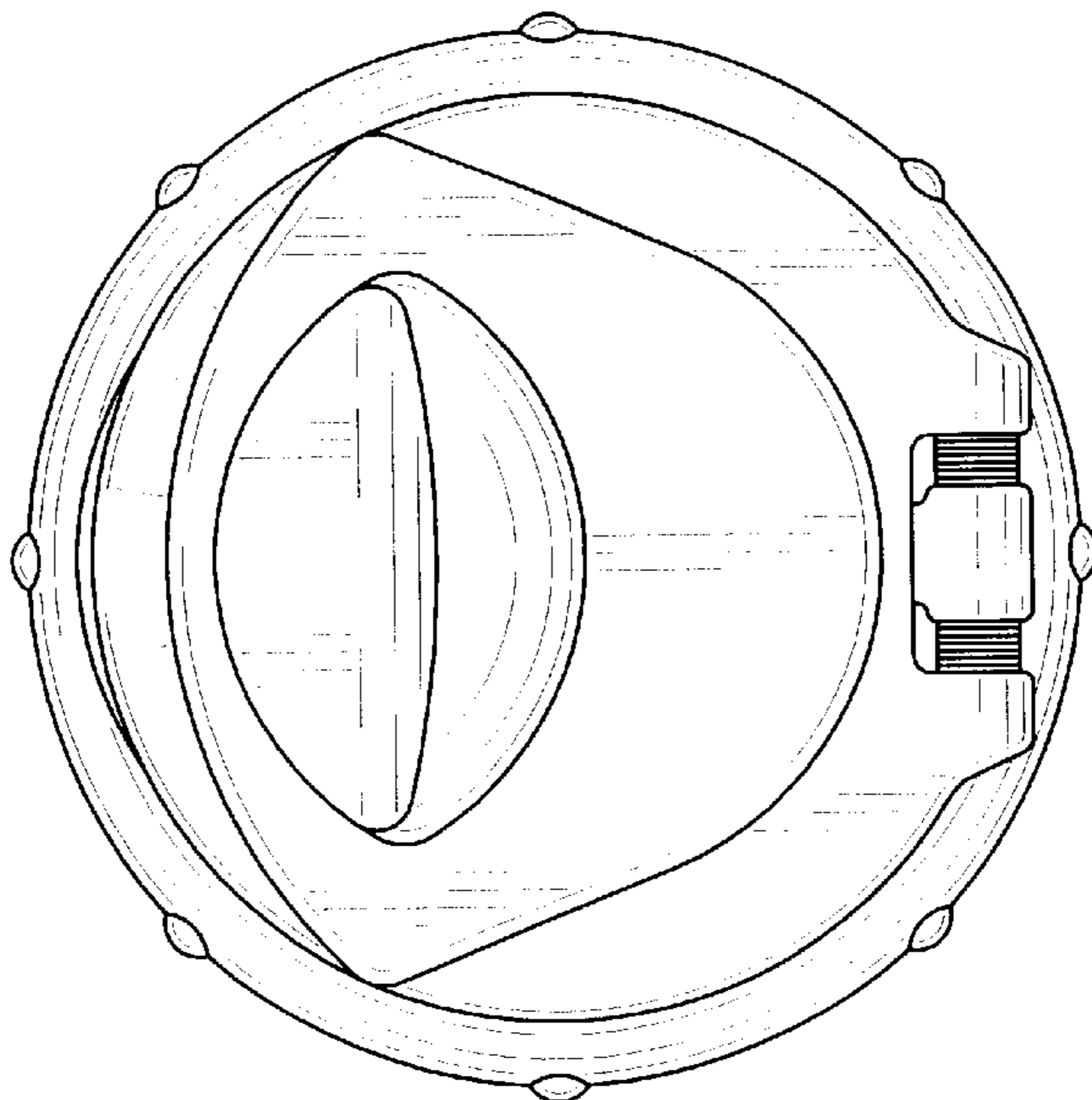


FIG. 4

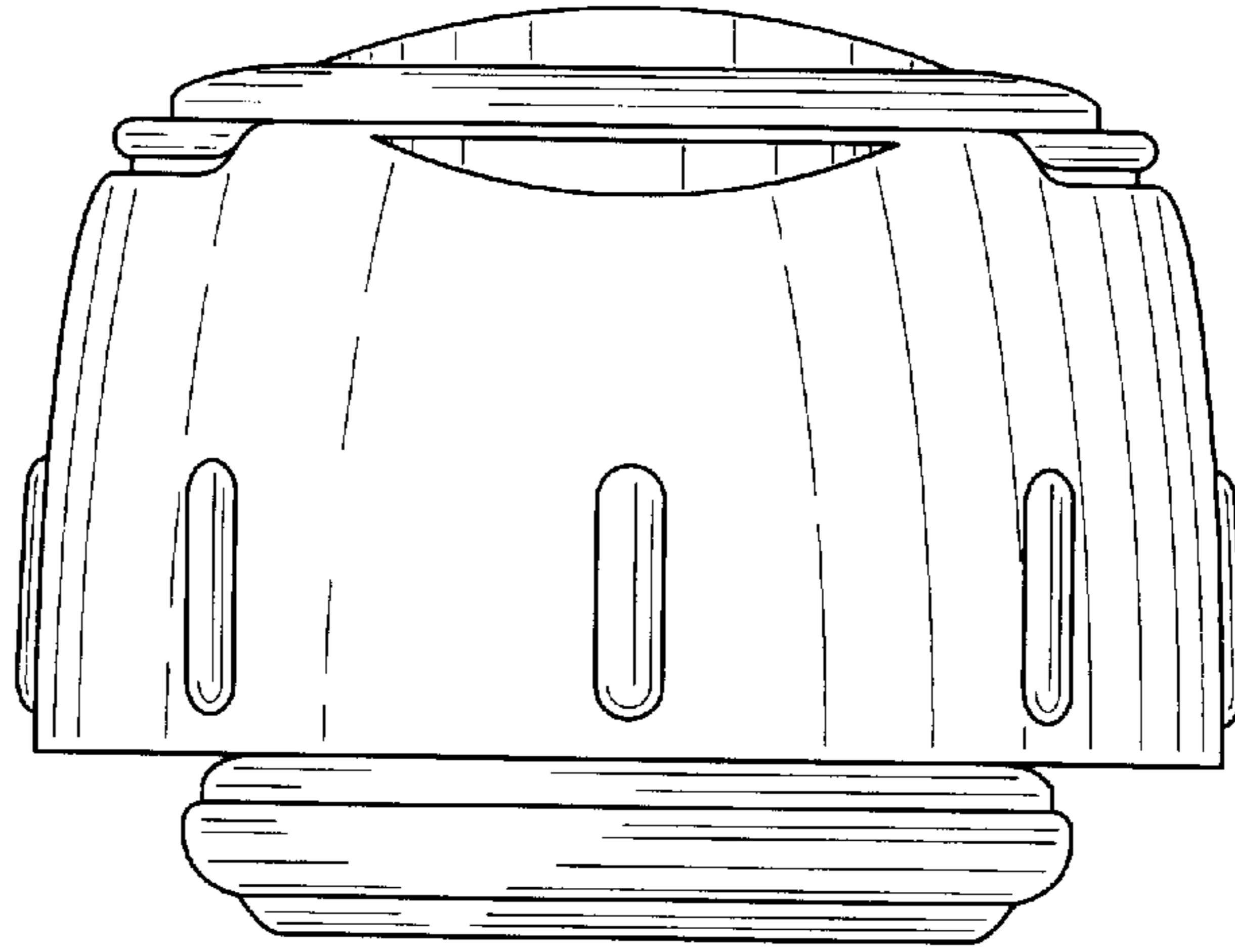


FIG. 5

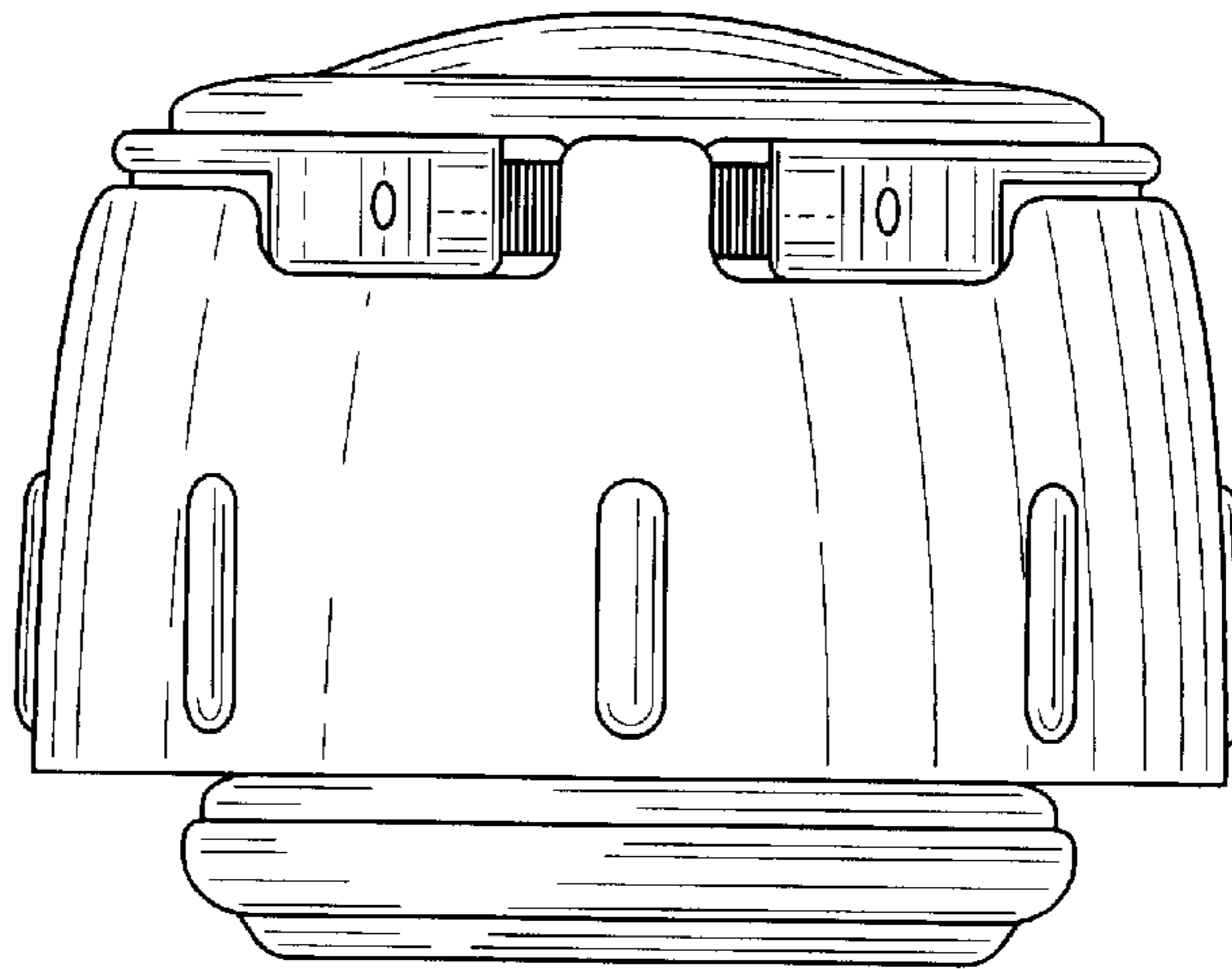


FIG. 6

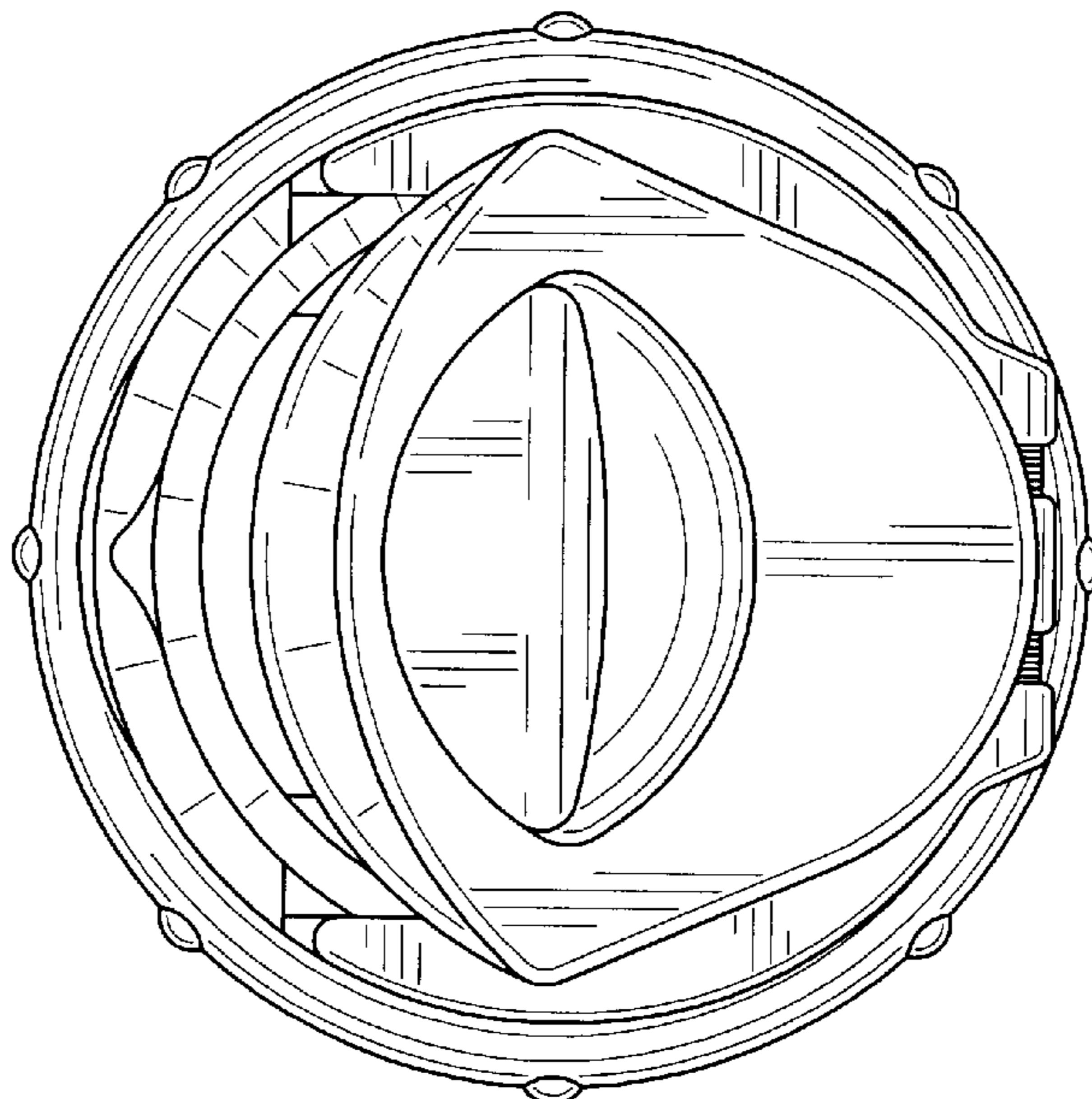


FIG. 7

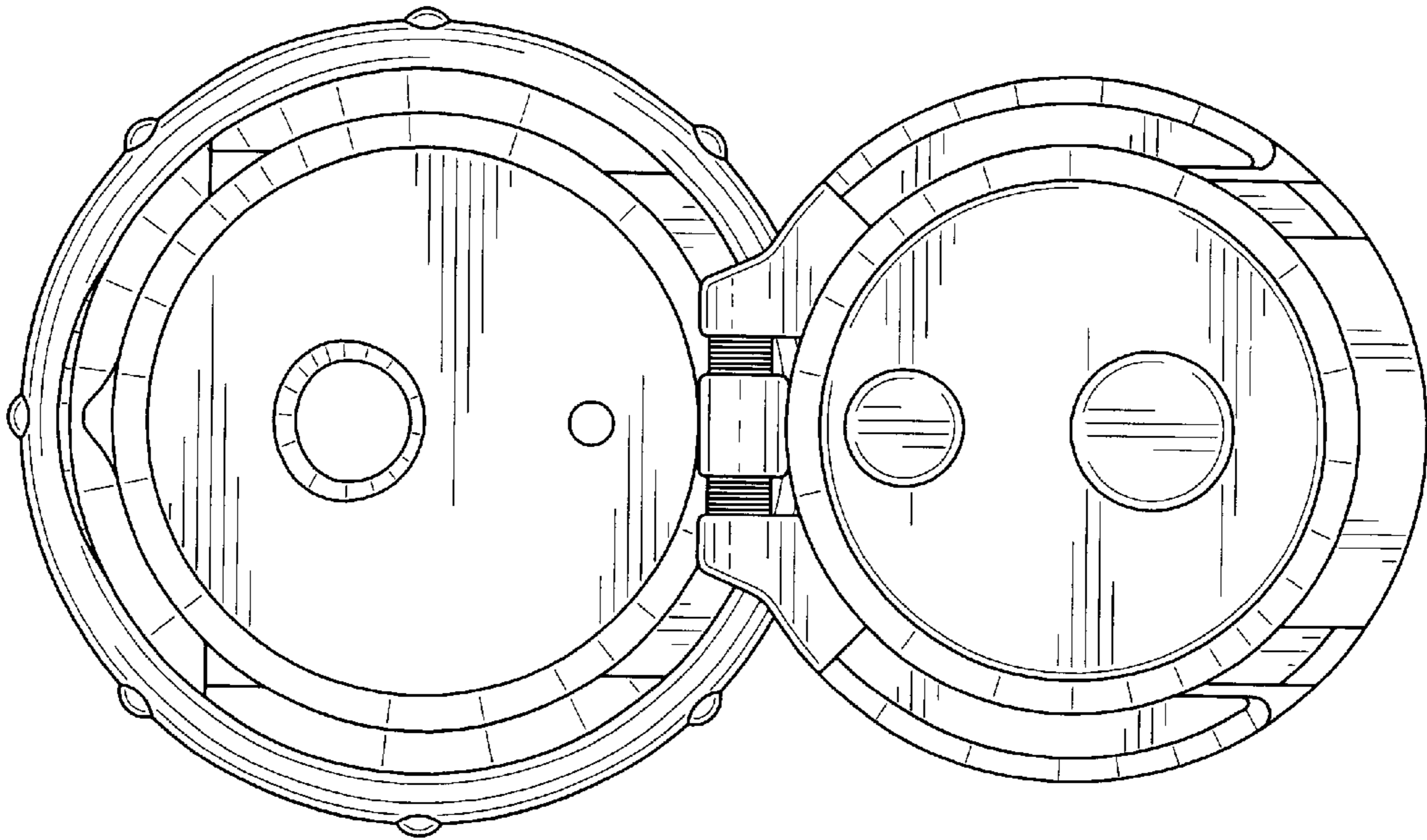


FIG. 8

