



US00D451382B1

(12) **United States Design Patent**  
**Adkins**

(10) **Patent No.:** **US D451,382 S**

(45) **Date of Patent:** **\*\* Dec. 4, 2001**

(54) **DISPLAY PACKAGE**

(75) **Inventor:** **Richard E. Adkins**, Oak Creek, WI (US)

(73) **Assignee:** **Adkins Collectible Toys Ltd.**, Oak Creek, WI (US)

(\*\*) **Term:** **14 Years**

(21) **Appl. No.:** **29/134,303**

(22) **Filed:** **Dec. 18, 2000**

(51) **LOC (7) Cl.** ..... **09-03**

(52) **U.S. Cl.** ..... **D9/415; D9/347**

(58) **Field of Search** ..... D9/414, 415, 418,  
D9/456, 337, 341; 206/461-471, 806, 495,  
769, 770, 775, 776

(56) **References Cited**

**U.S. PATENT DOCUMENTS**

|            |   |         |                   |       |         |
|------------|---|---------|-------------------|-------|---------|
| D. 330,855 | * | 11/1992 | Demopoulos et al. | ..... | D9/415  |
| D. 378,570 | * | 3/1997  | MacEachern        | ..... | D9/415  |
| D. 405,370 | * | 2/1999  | Humphrey          | ..... | D9/415  |
| D. 410,384 | * | 6/1999  | Gaffney et al.    | ..... | D9/415  |
| D. 423,344 | * | 4/2000  | Kumakura et al.   | ..... | D9/415  |
| 3,157,280  | * | 11/1964 | Perdue et al.     | ..... | 206/468 |
| 3,172,768  | * | 3/1965  | Joosten et al.    | ..... | 206/471 |
| 3,220,543  | * | 11/1965 | McCord et al.     | ..... | 206/461 |
| 3,890,204  | * | 6/1975  | Avery             | ..... | 206/229 |
| 4,004,565  | * | 1/1977  | Fischer et al.    | ..... | 206/471 |
| 5,735,404  | * | 4/1998  | Kumakura et al.   | ..... | 206/469 |

**OTHER PUBLICATIONS**

Modern Packaging Catalog, p. 300, Jan. 1941.\*  
Techform Inc. Nov. 1982.\*

\* cited by examiner

*Primary Examiner*—Prabhakar Deshmukh

(74) *Attorney, Agent, or Firm*—Andrus, Scales, Starke & Sawall, LLP

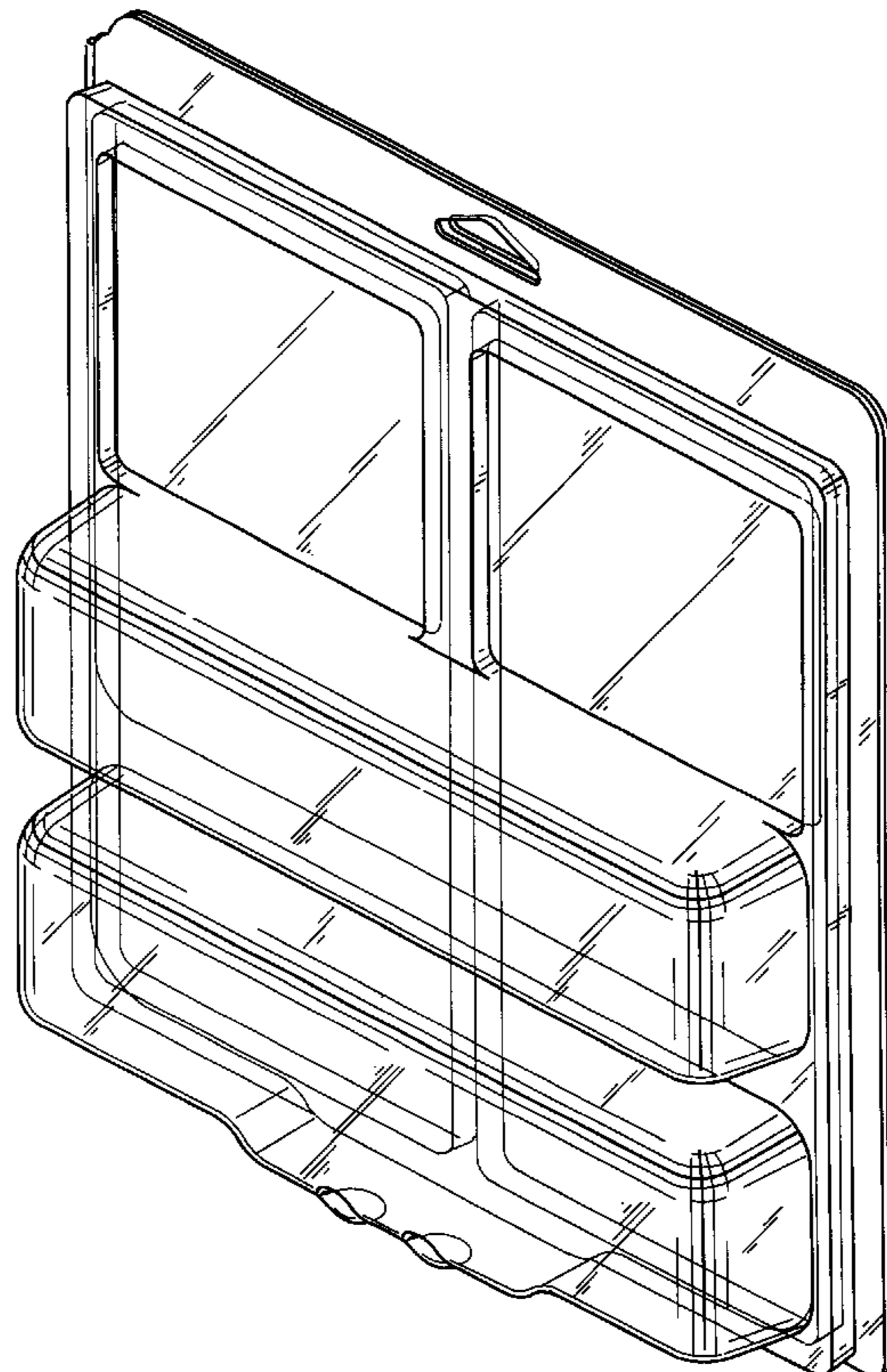
(57) **CLAIM**

The ornamental design for a display package, as shown and described.

**DESCRIPTION**

FIG. 1 is a front perspective view of a display package showing my new design;  
 FIG. 2 is a rear perspective view of the display package shown in FIG. 1;  
 FIG. 3 is a front elevational view of the display package shown in FIG. 1;  
 FIG. 4 is a top view of the display package shown in FIG. 3;  
 FIG. 5 is a bottom view of the display package shown in FIG. 3;  
 FIG. 6 is a rear elevational view of the display package shown in FIG. 1;  
 FIG. 7 is a view of the display package taken from the left side of FIG. 6; and,  
 FIG. 8 is a view of the display package taken from the right side of FIG. 6.

**1 Claim, 5 Drawing Sheets**



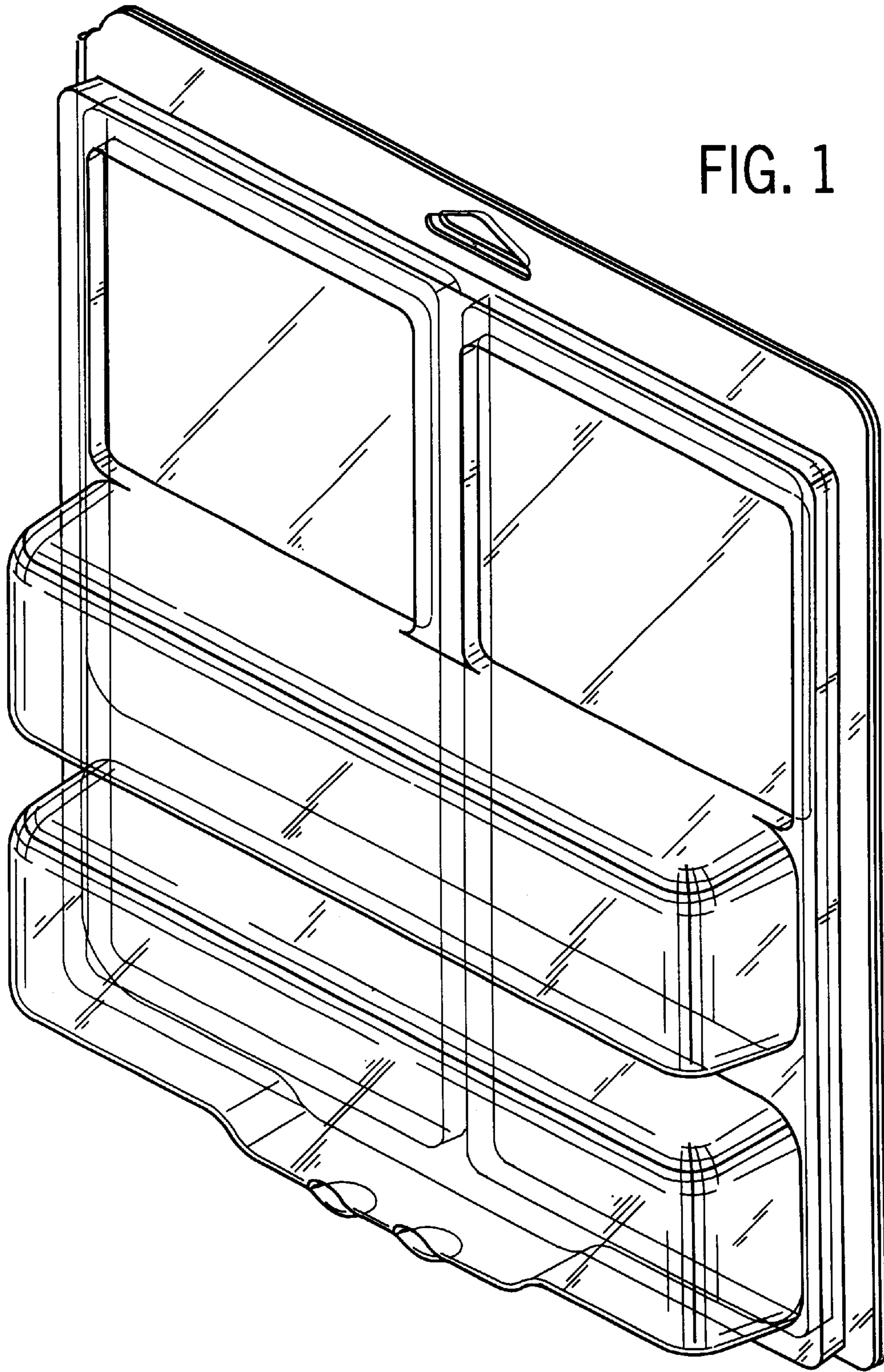
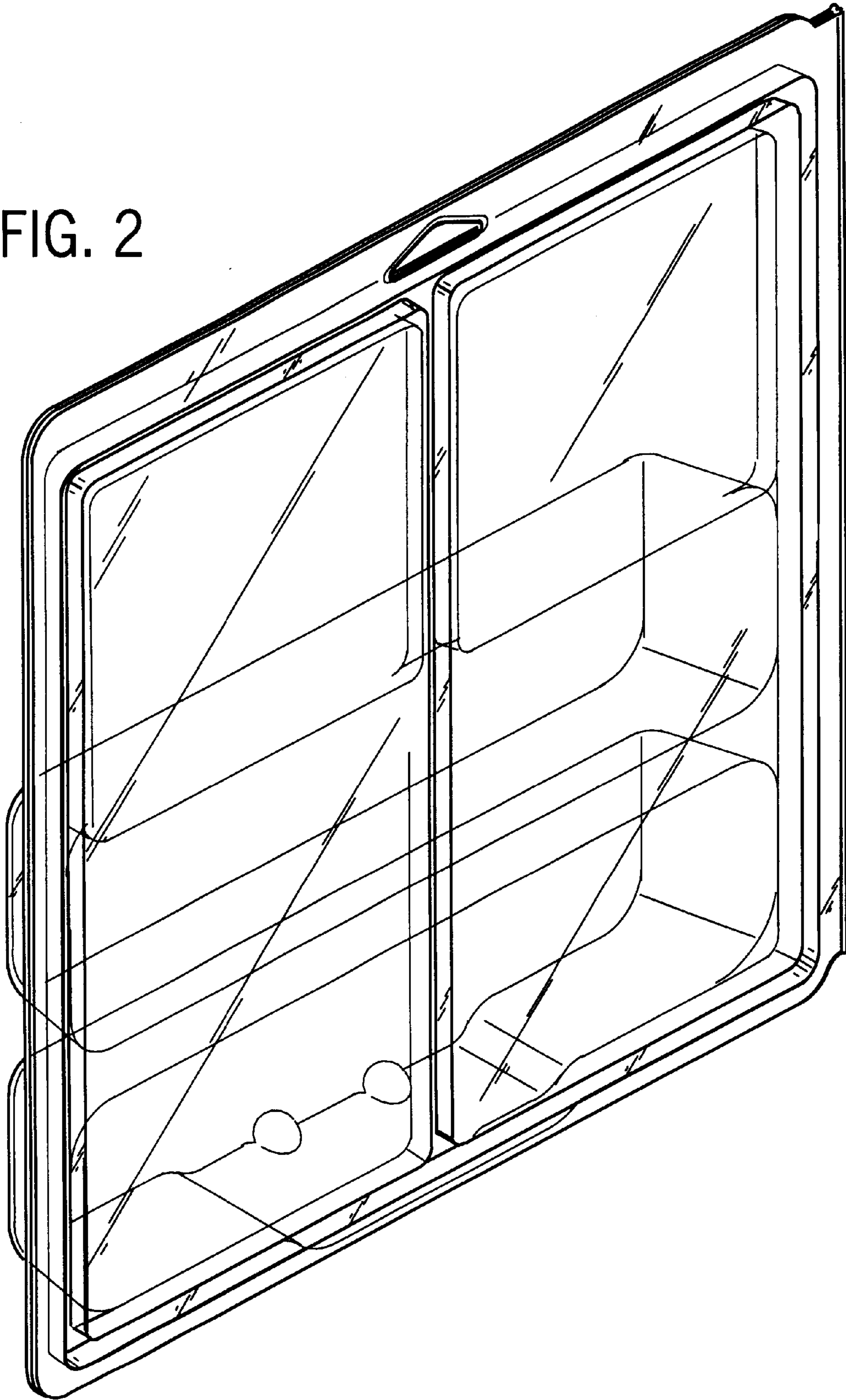


FIG. 1



FIG. 2



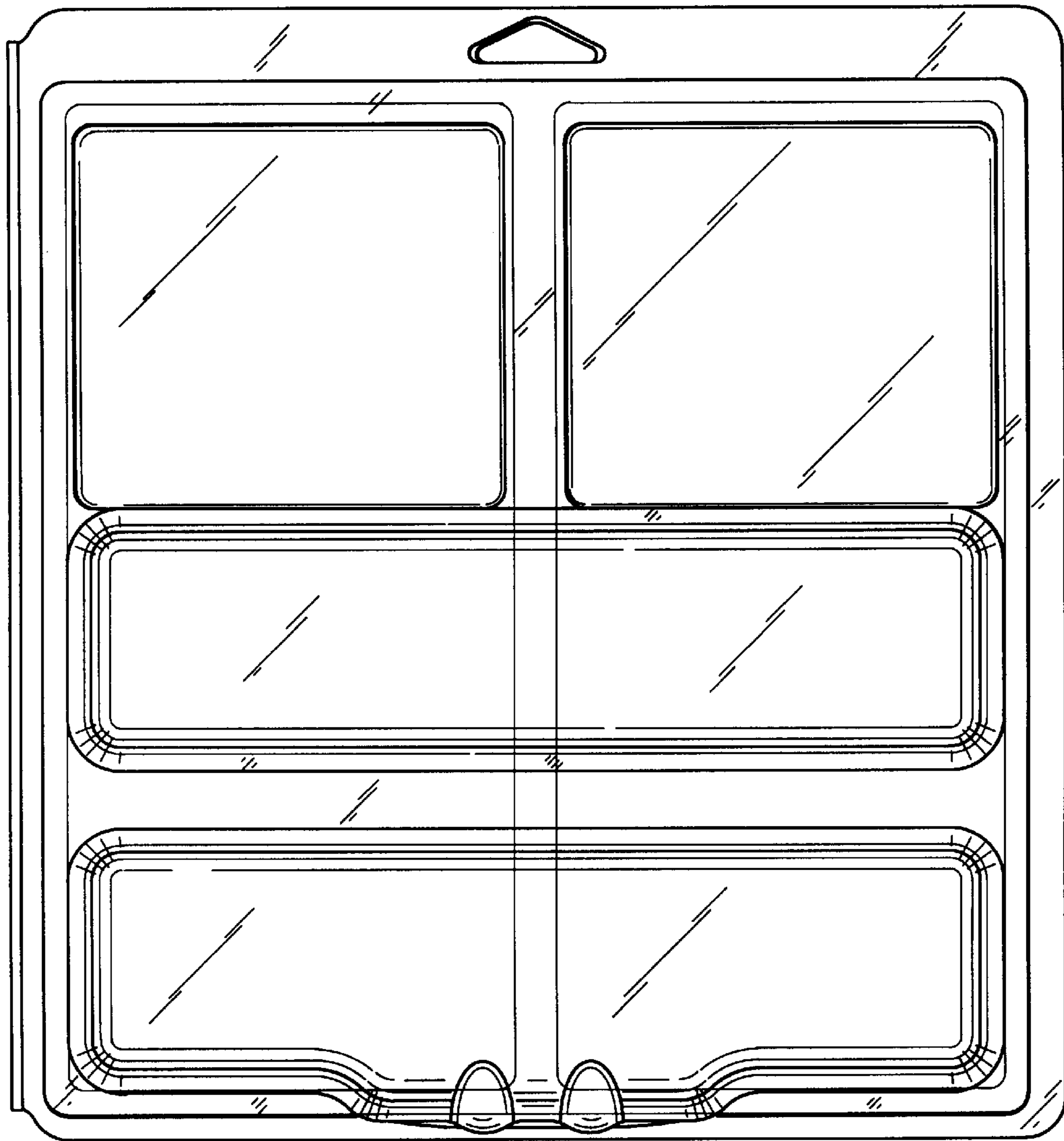


FIG. 3

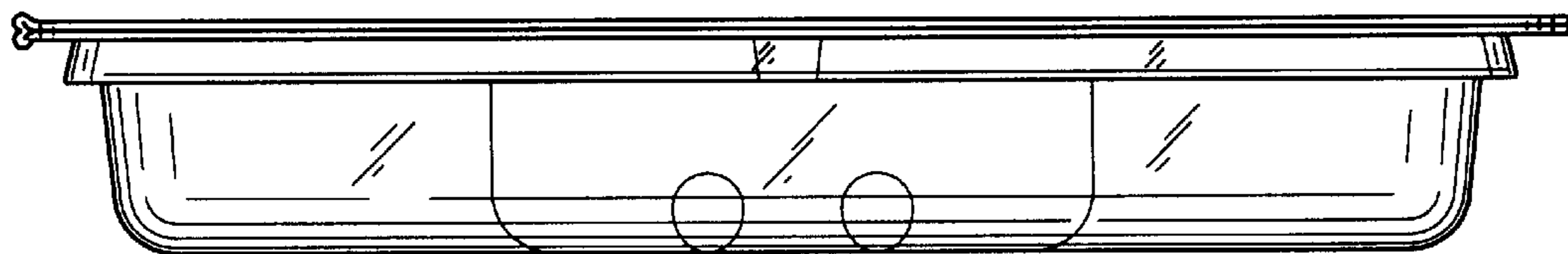


FIG. 4

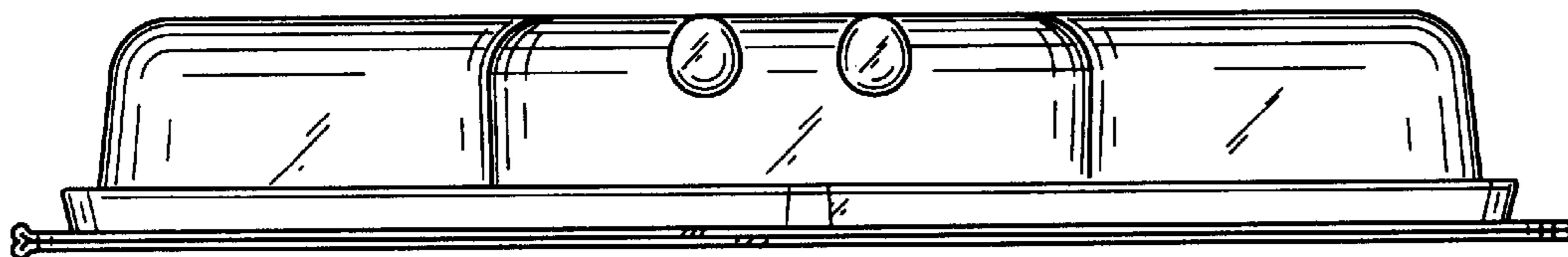


FIG. 5

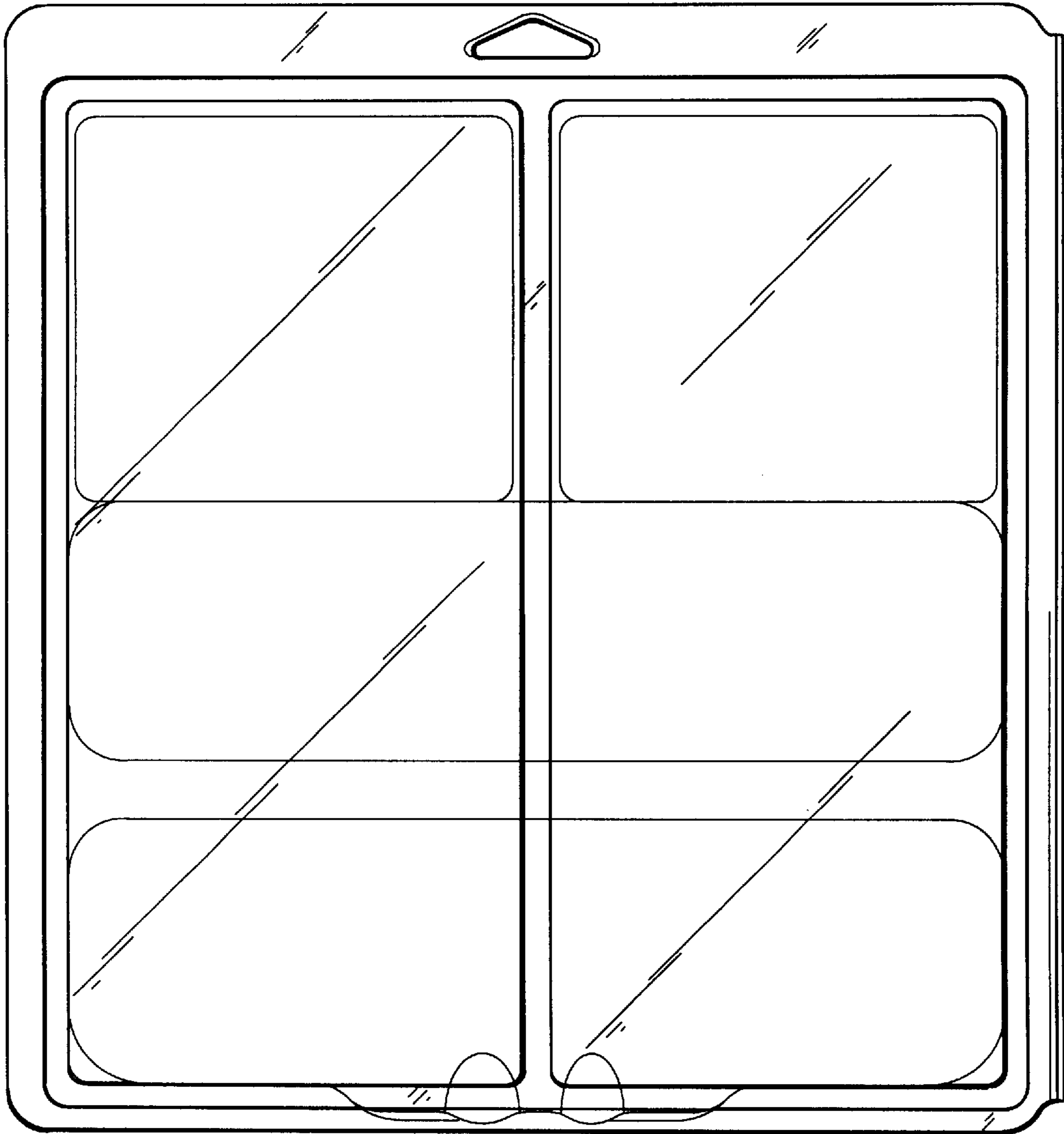


FIG. 6

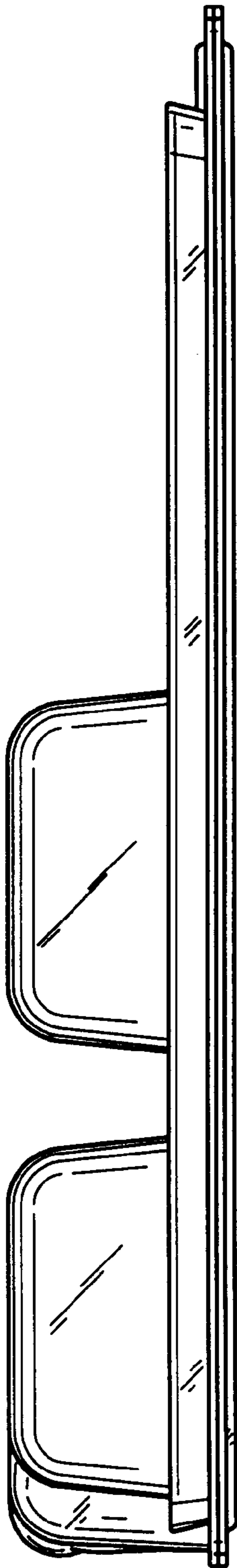


FIG. 7

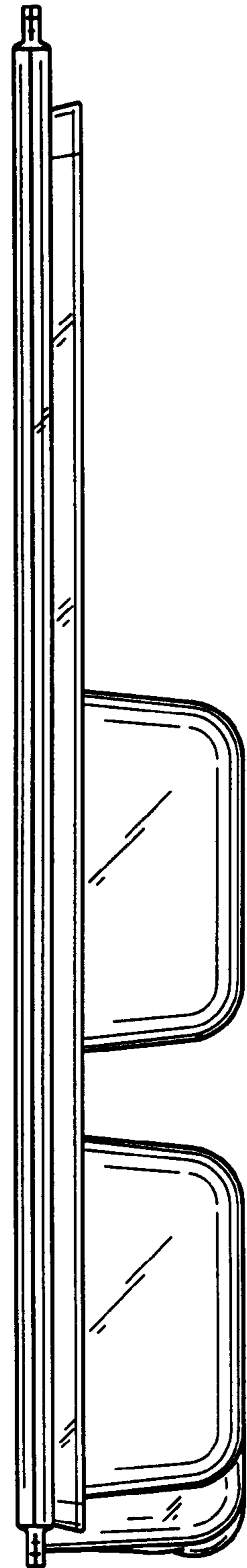


FIG. 8