



US00D451368B1

(12) **United States Design Patent**
Hardesty

(10) **Patent No.:** **US D451,368 S**

(45) **Date of Patent:** **** Dec. 4, 2001**

(54) **RETRACTABLE BICYCLE LOCK**

4,970,882 11/1990 Arrendondo .

5,598,727 * 2/1997 White 70/233

(76) Inventor: **Douglas B Hardesty**, 720 Pine St.,
Coshocton, OH (US) 43812

* cited by examiner

(**) Term: **14 Years**

Primary Examiner—Jennifer Rivard

(21) Appl. No.: **29/136,920**

(57) **CLAIM**

(22) Filed: **Feb. 9, 2001**

The ornamental design for a retractable bicycle lock, as shown and described.

(51) **LOC (7) Cl.** **08-07**

DESCRIPTION

(52) **U.S. Cl.** **D8/331**

(58) **Field of Search** 70/14, 18, 30,
70/49, 233, 234; D8/330, 331, 333, 358;
242/378.4, 379.2

FIG. 1 is a front elevational view of the retractable bicycle lock of the present invention;

FIG. 2 is a rear elevational view of the retractable bicycle lock of FIG. 1;

FIG. 3 is a left side elevational view of the retractable bicycle lock of FIG. 1;

FIG. 4 is a right side elevational view of the retractable bicycle lock of FIG. 1;

FIG. 5 is a top plan view of the retractable bicycle lock of FIG. 1; and,

FIG. 6 is a bottom plan view of the retractable bicycle lock of FIG. 1.

(56) **References Cited**

U.S. PATENT DOCUMENTS

D. 277,259	1/1985	Darrell .	
3,910,081	10/1975	Pender .	
3,950,972	4/1976	Bleier et al. .	
4,037,441	7/1977	Ray .	
4,086,795	* 5/1978	Foster et al.	70/233
4,098,099	* 7/1978	Smith	70/18
4,126,024	11/1978	Timmons et al. .	

1 Claim, 4 Drawing Sheets

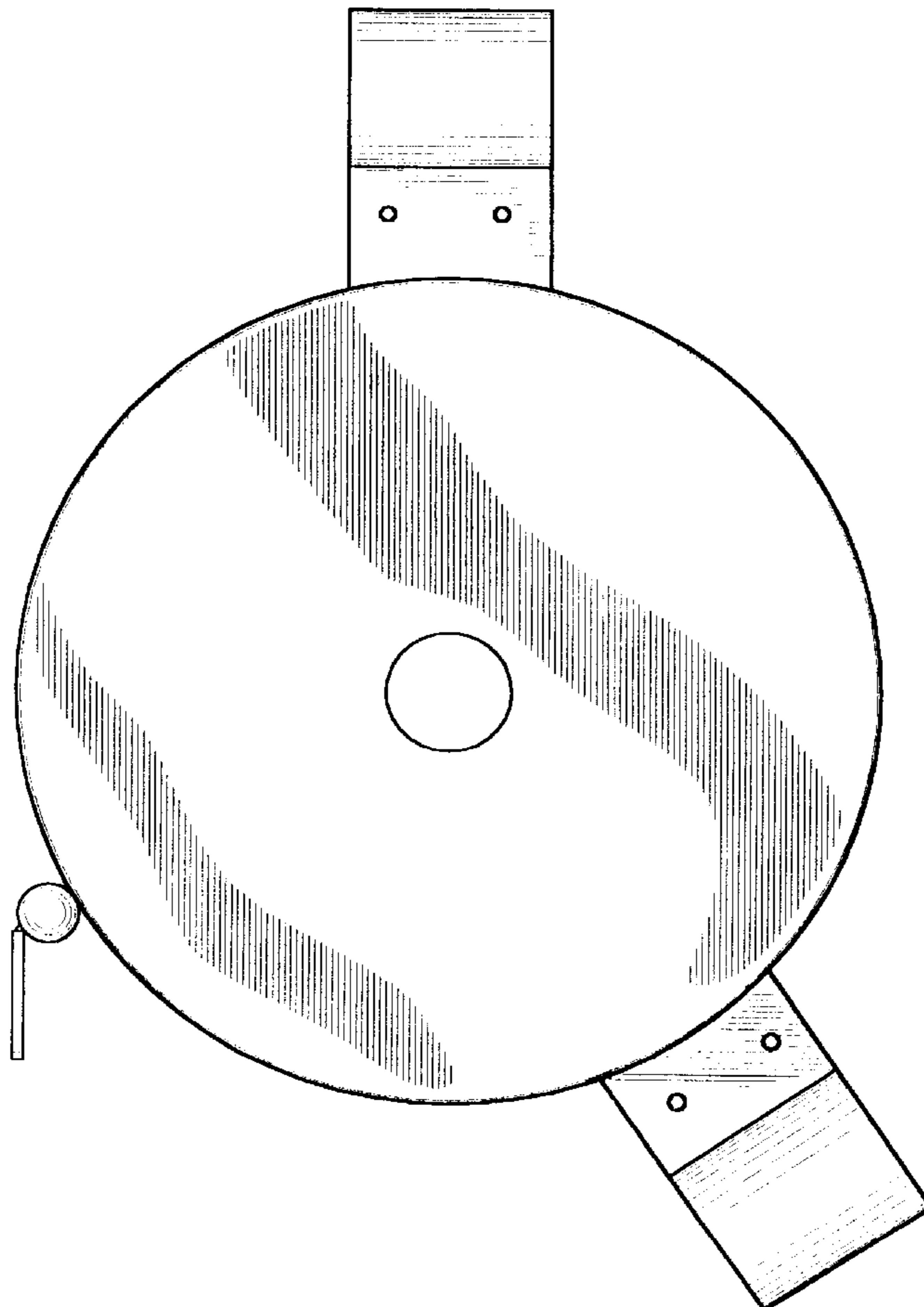
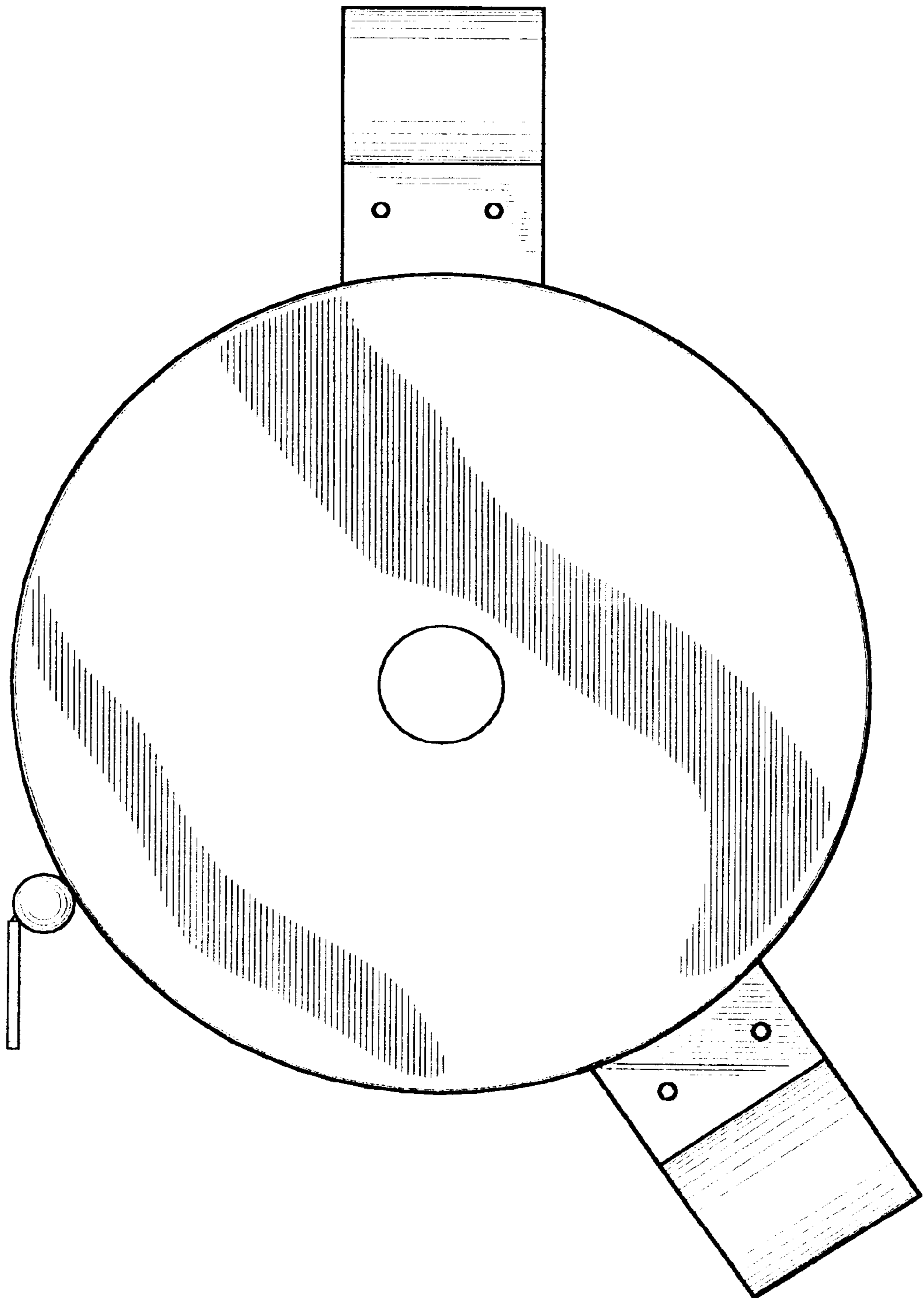


FIG. 1



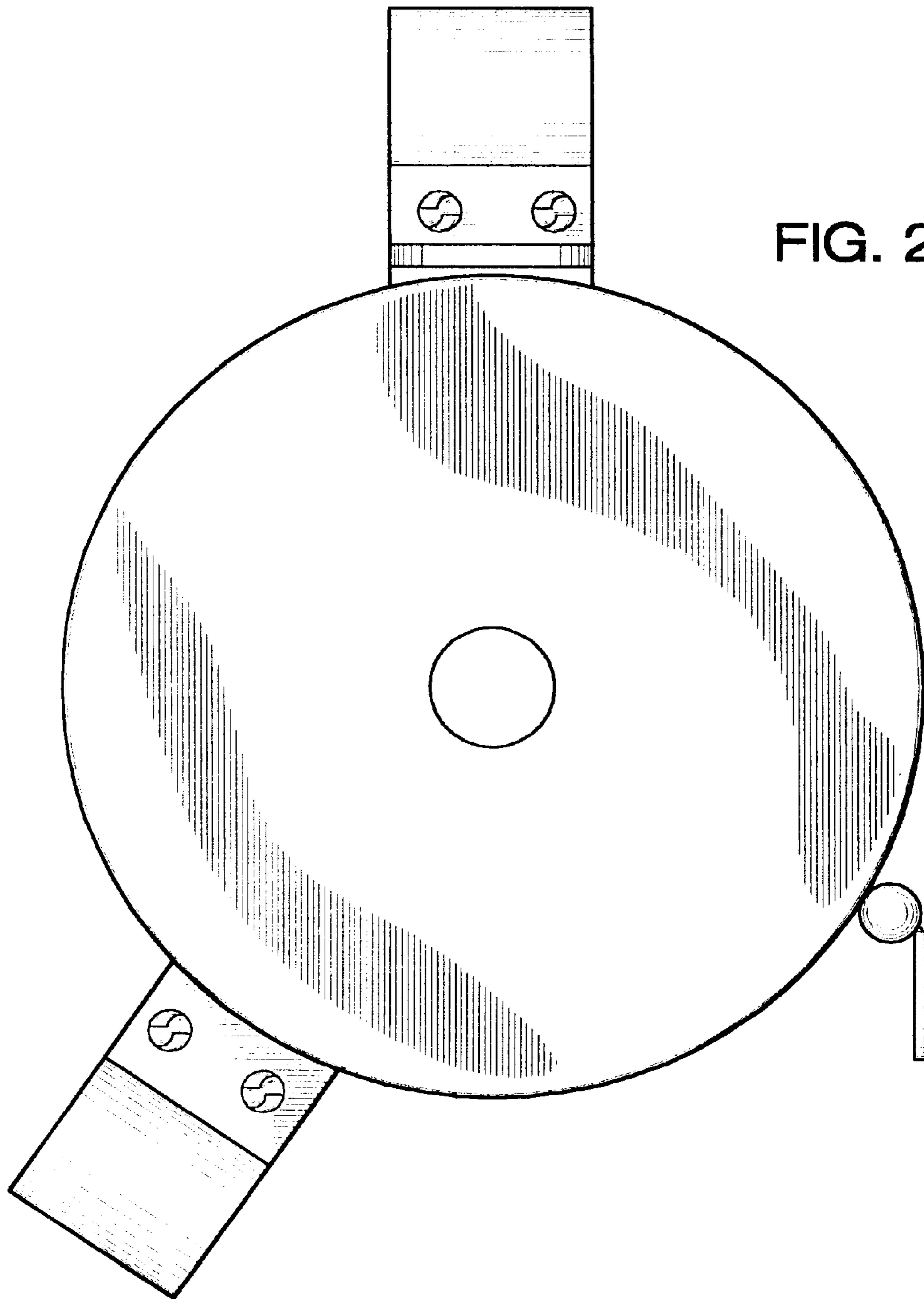


FIG. 2

FIG. 3

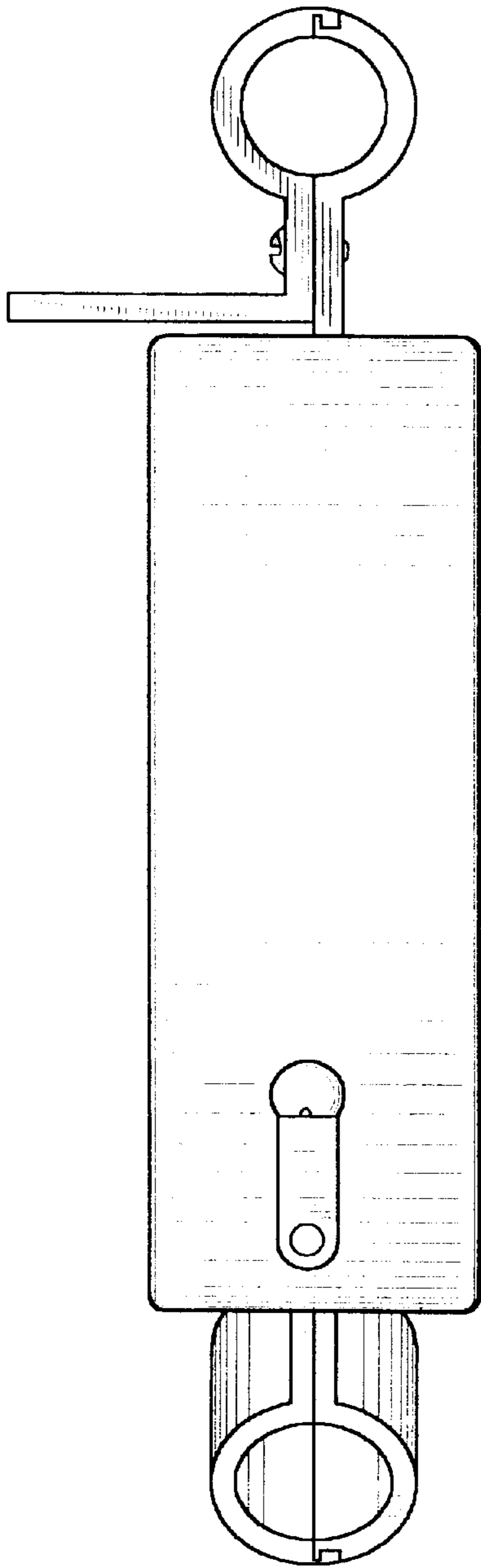


FIG. 4

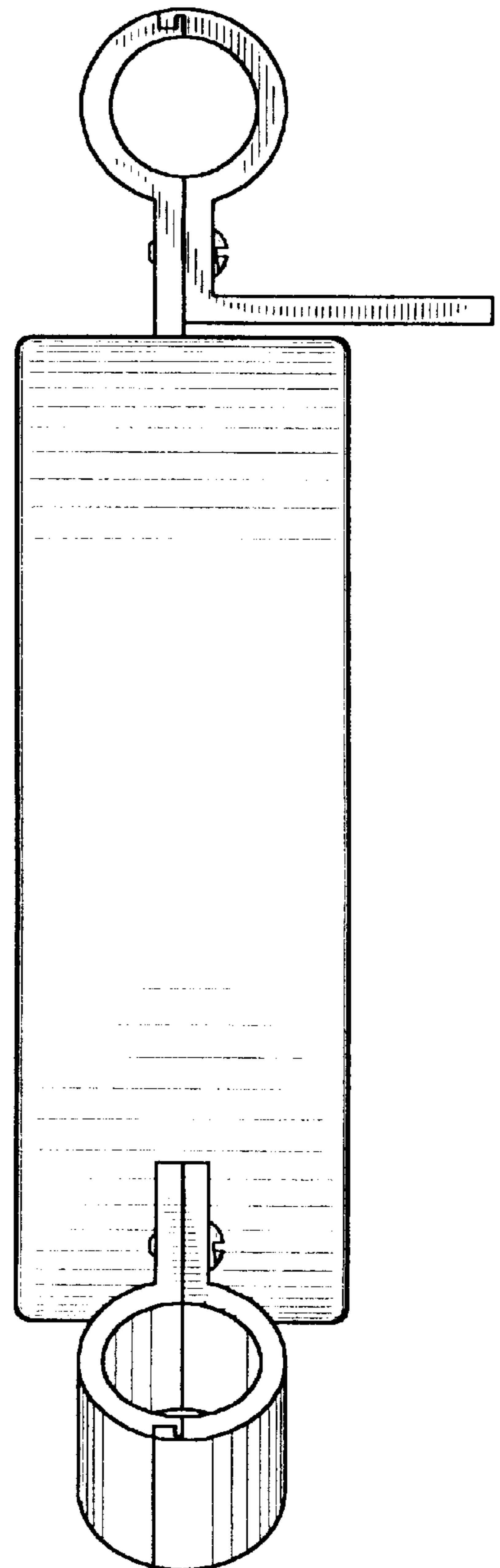


FIG. 5

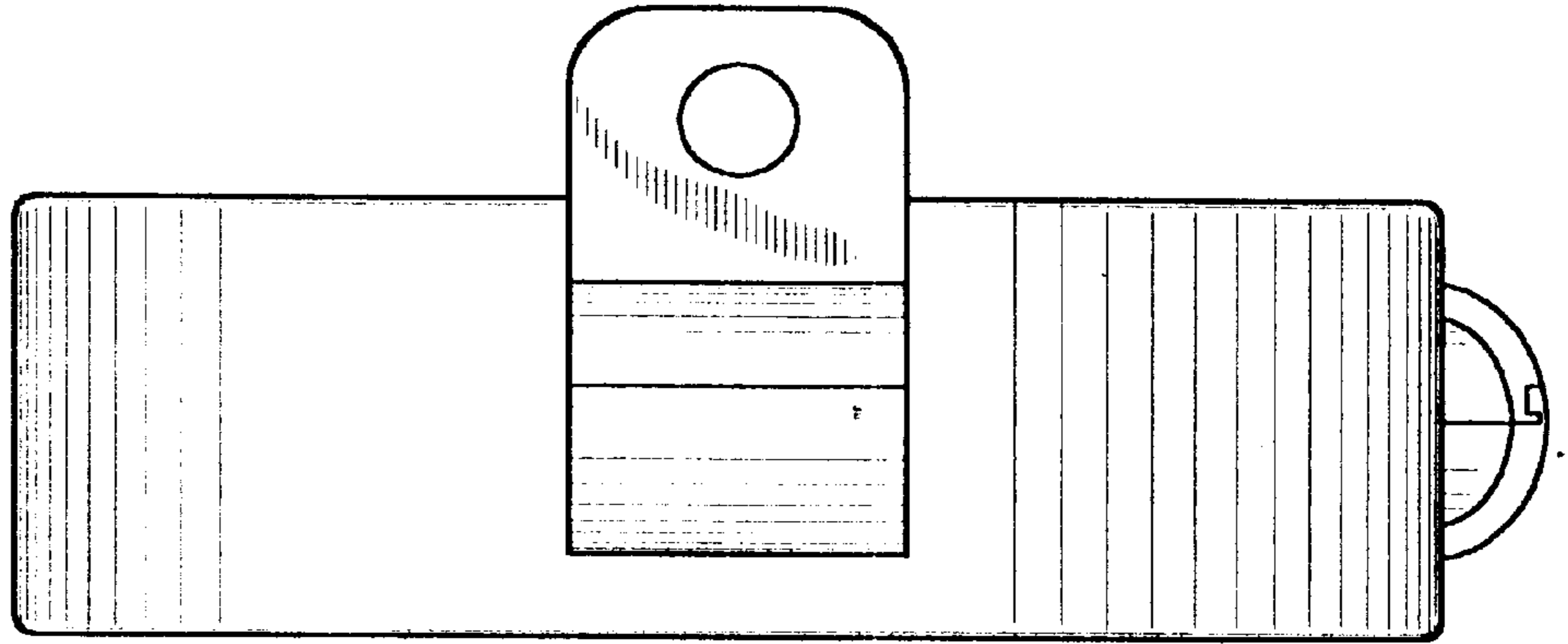


FIG. 6

