



US00D451366B1

(12) **United States Design Patent**
Chen

(10) **Patent No.:** **US D451,366 S**

(45) **Date of Patent:** **** Dec. 4, 2001**

(54) **HANGER SUPPORT**

(76) Inventor: **Wei Chih Chen**, No. 59, Herng Jun Street, DaGia Town, Taichung Hsien (TW), 437

(**) Term: **14 Years**

(21) Appl. No.: **29/124,558**

(22) Filed: **Jun. 8, 2000**

(51) **LOC (7) Cl.** **08-07**

(52) **U.S. Cl.** **D8/330; D3/318**

(58) **Field of Search** D3/318, 328; D8/330, D8/331; 206/279, 285, 288, 289, 290, 291; 423/232, 269

(56) **References Cited**

U.S. PATENT DOCUMENTS

D. 294,451	*	3/1988	Gregg et al.	D8/330
3,863,003	*	1/1975	Field et al.	423/232
4,363,388	*	12/1982	London et al.	206/285 X
4,880,113	*	11/1989	Mobley	206/287

* cited by examiner

Primary Examiner—Brian N. Vinson

(74) *Attorney, Agent, or Firm*—Charles E. Baxley

(57) **CLAIM**

The ornamental design for a hanger support, as shown and described.

DESCRIPTION

FIG. 1 is a perspective view of a hanger support showing my new design;

FIG. 2 is a front elevational view thereof, the opposite end being identical in appearance;

FIG. 3 is a top plan view thereof;

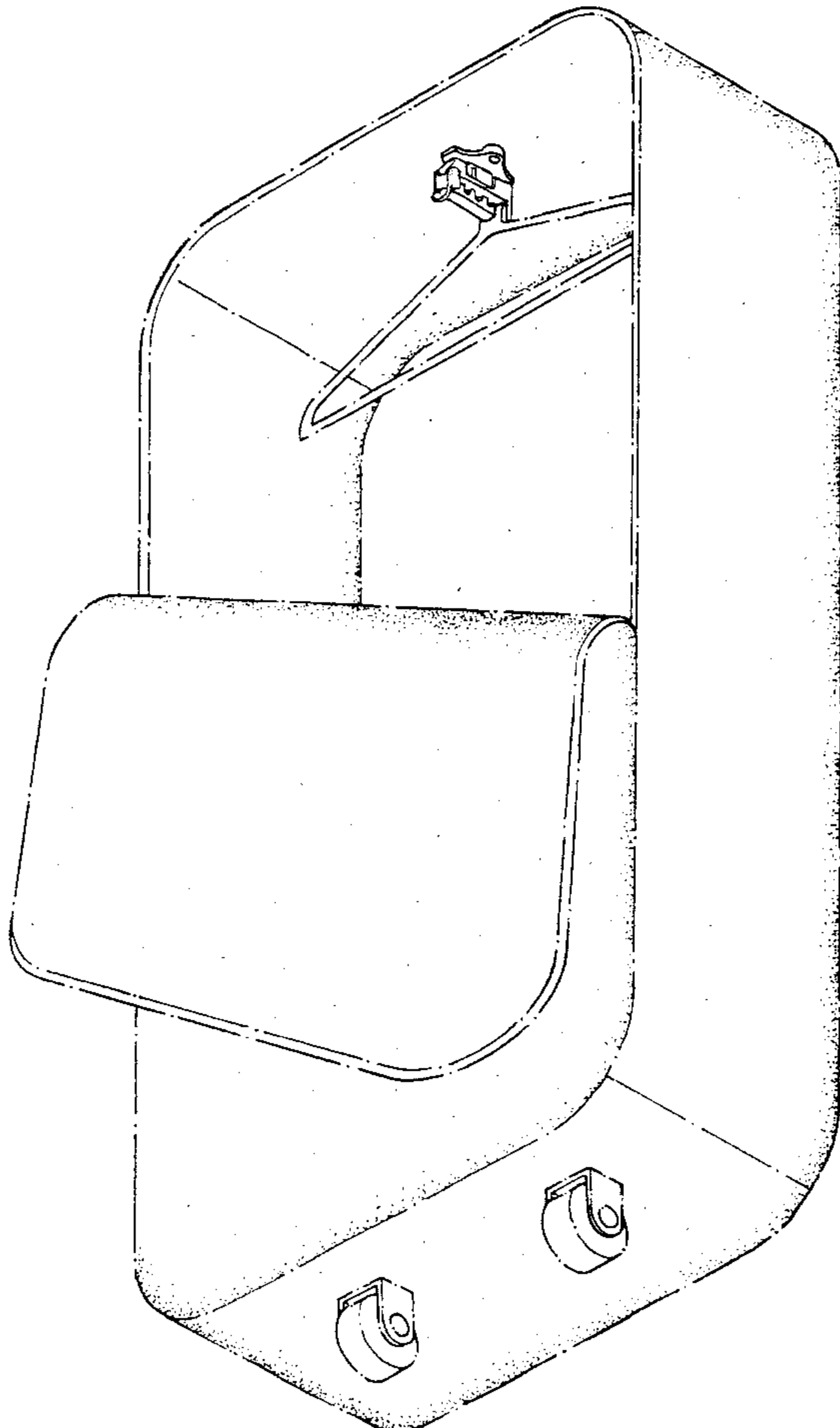
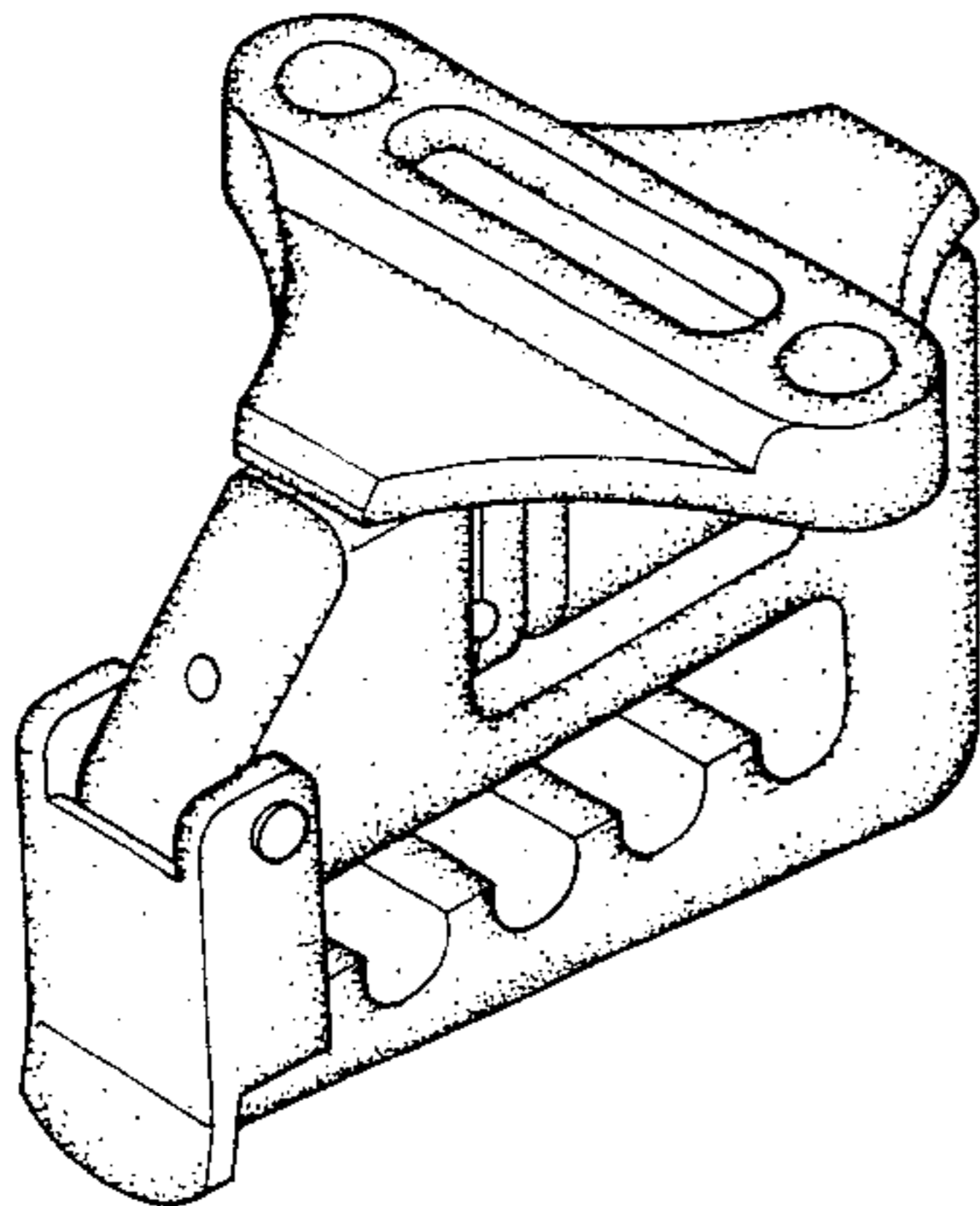
FIG. 4 is a bottom plan view thereof;

FIG. 5 is a left side elevational view thereof;

FIG. 6 is a right side elevational view thereof; and,

FIG. 7 is a reduced perspective view embodying the utilization of my new design, the suitcase depicted by means of broken lines being for illustrative purposes only and forming no part of the claimed design.

1 Claim, 4 Drawing Sheets



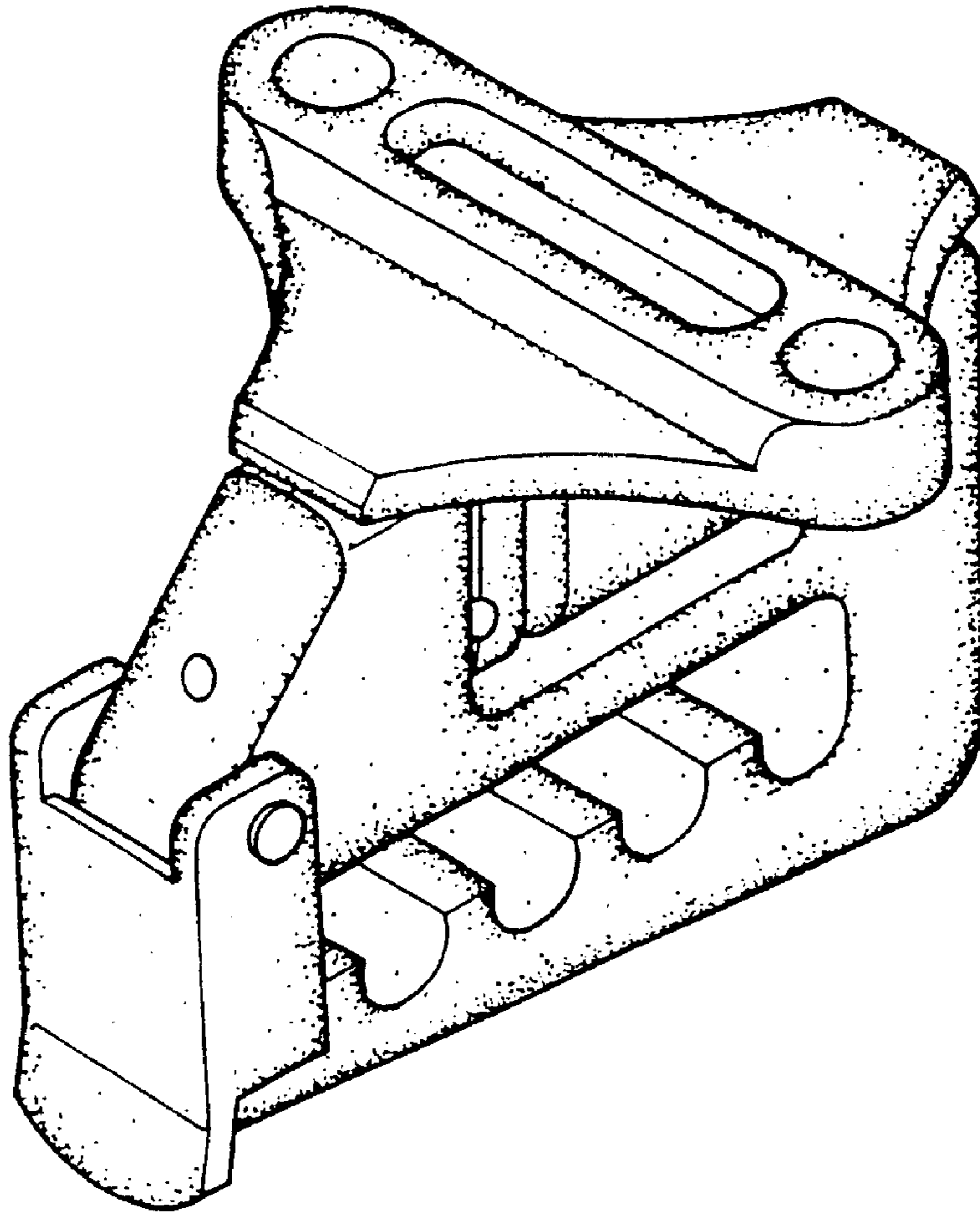


FIG. 1

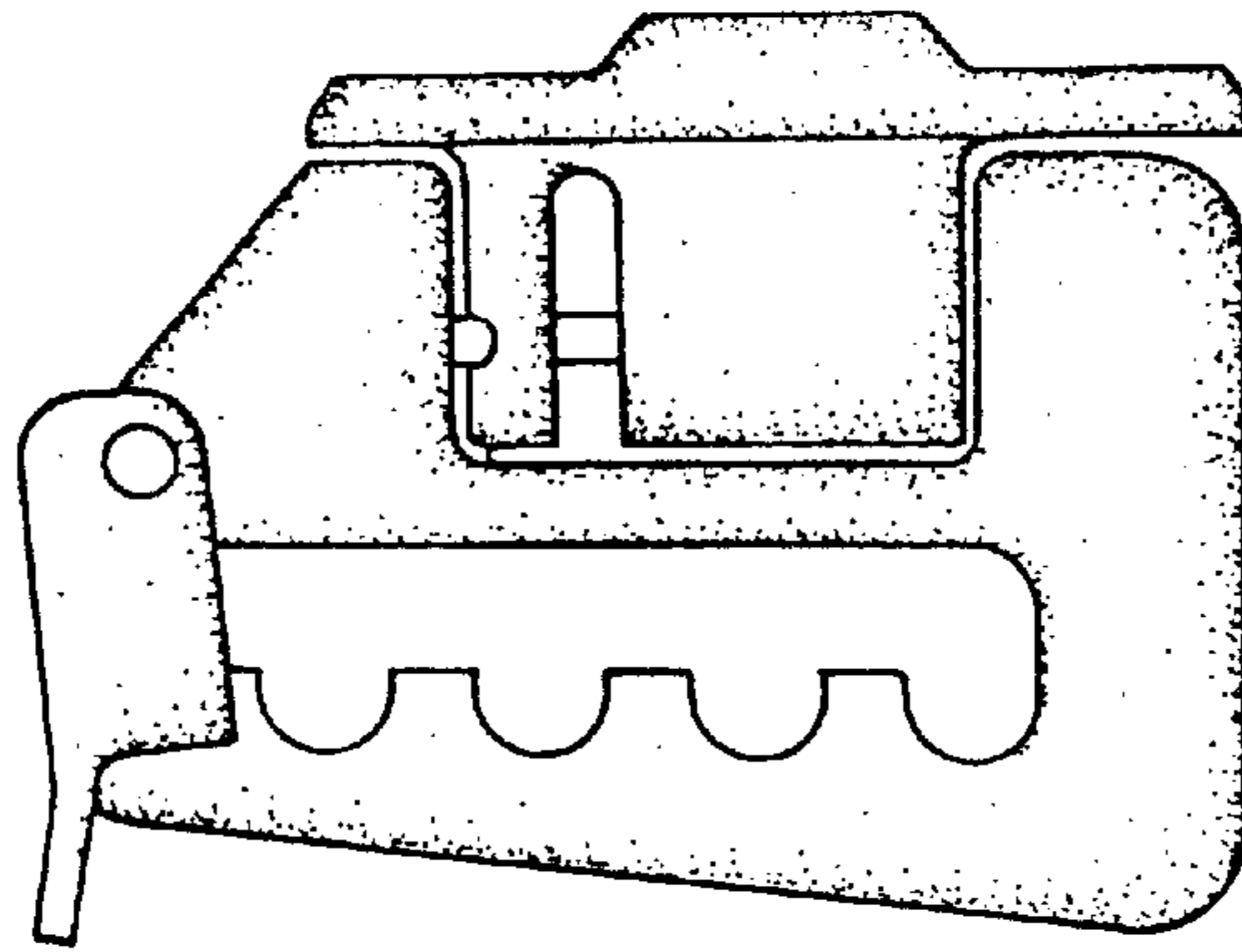


FIG. 2

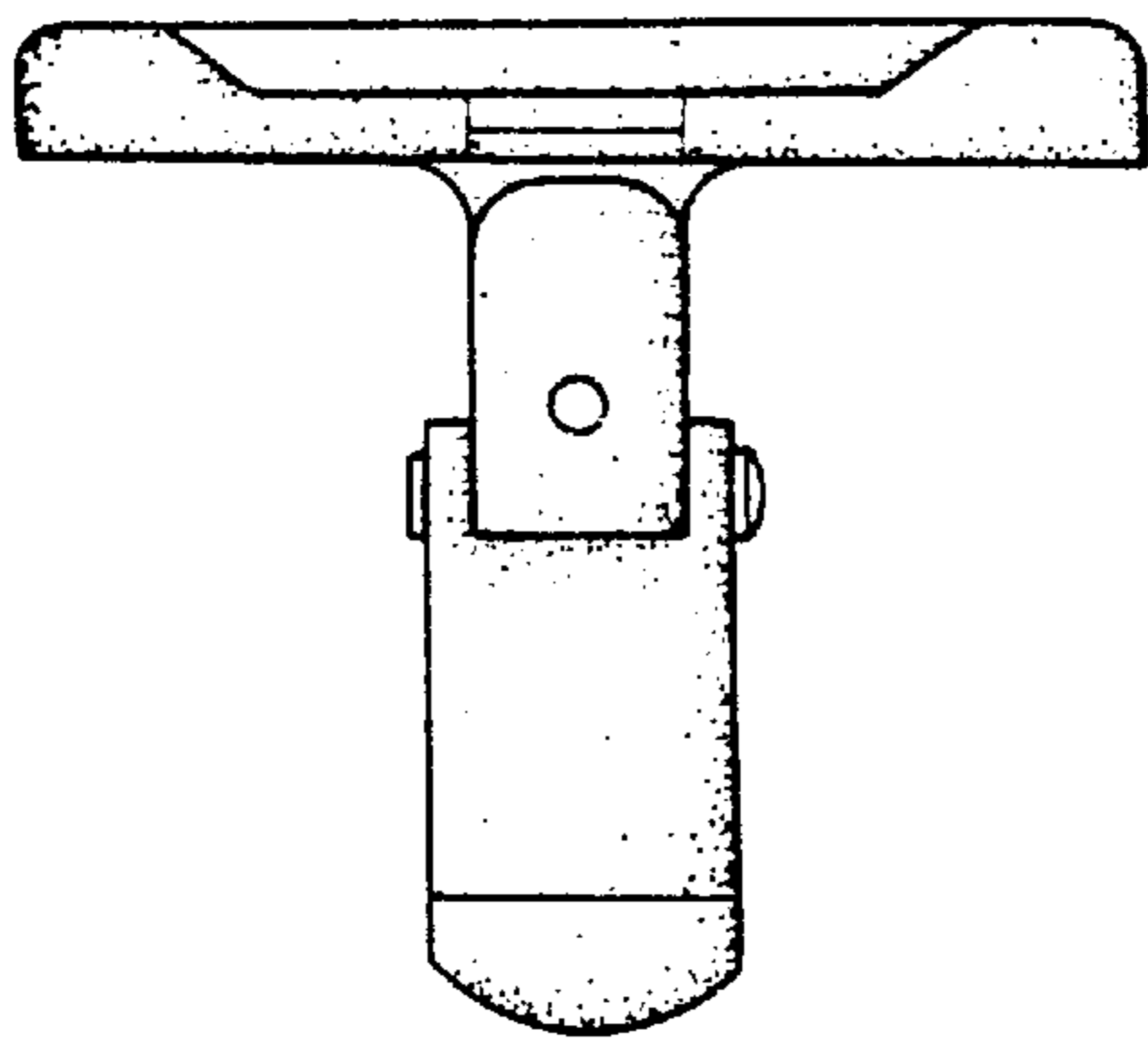


FIG. 5

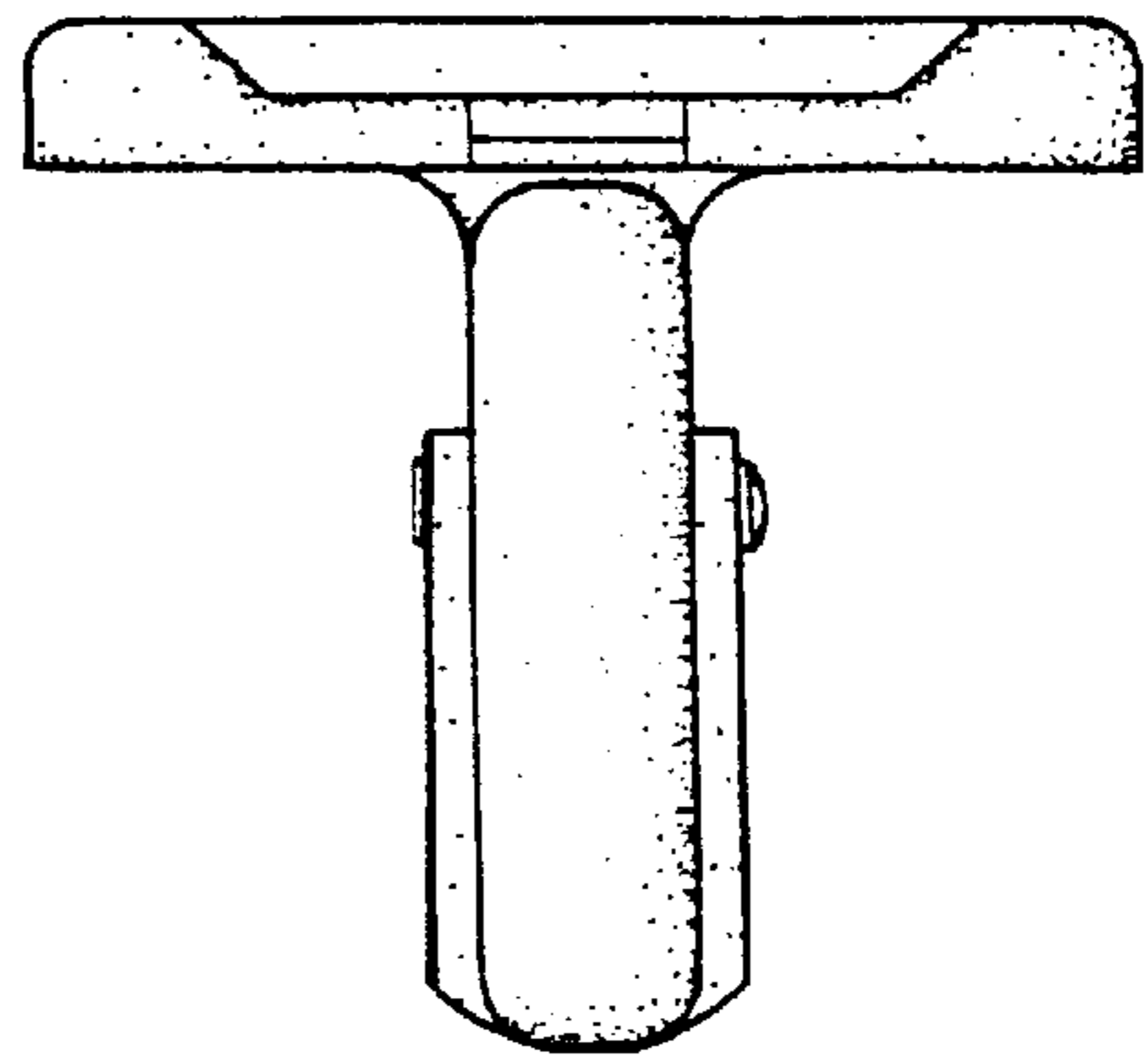


FIG. 6

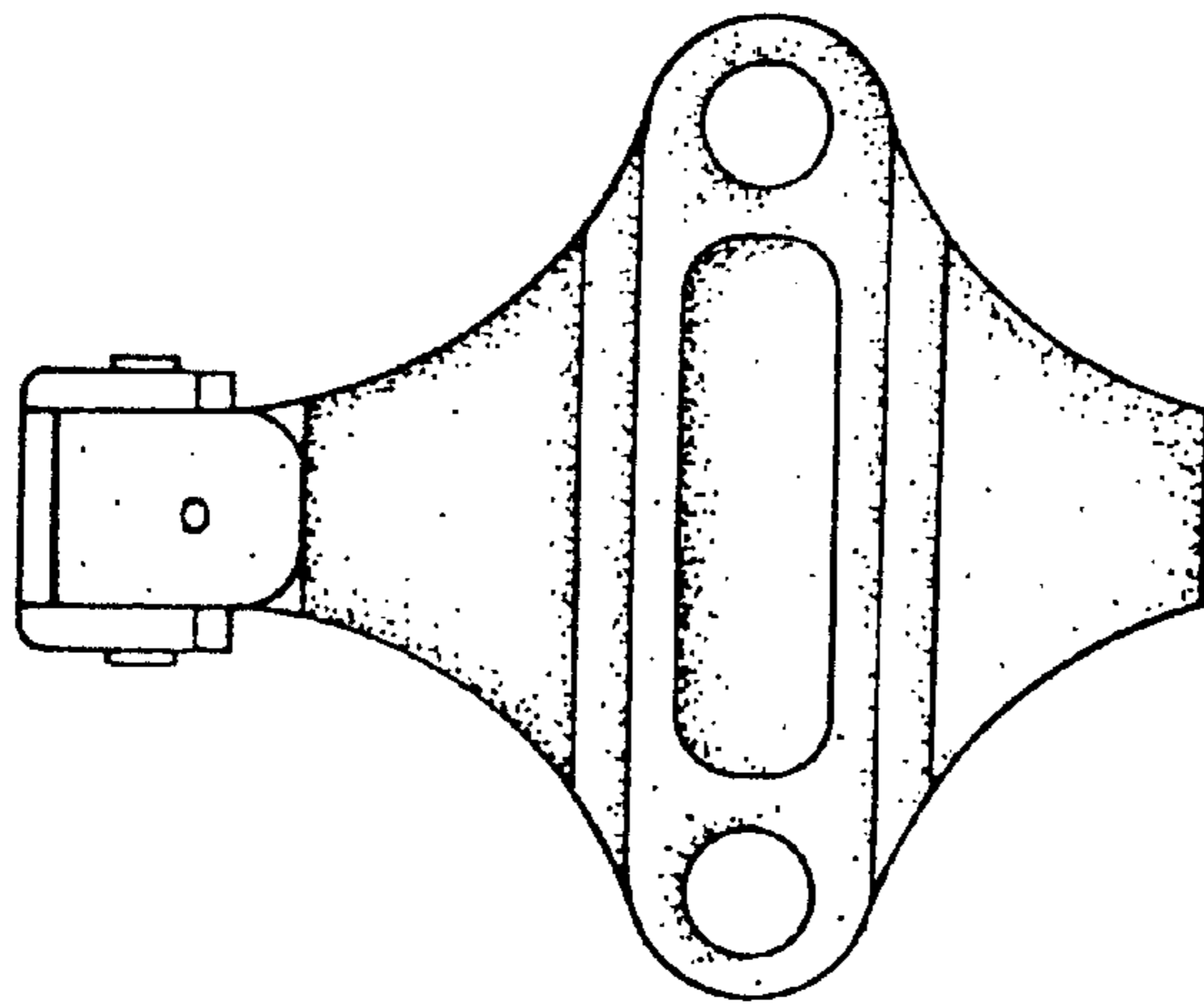


FIG. 3

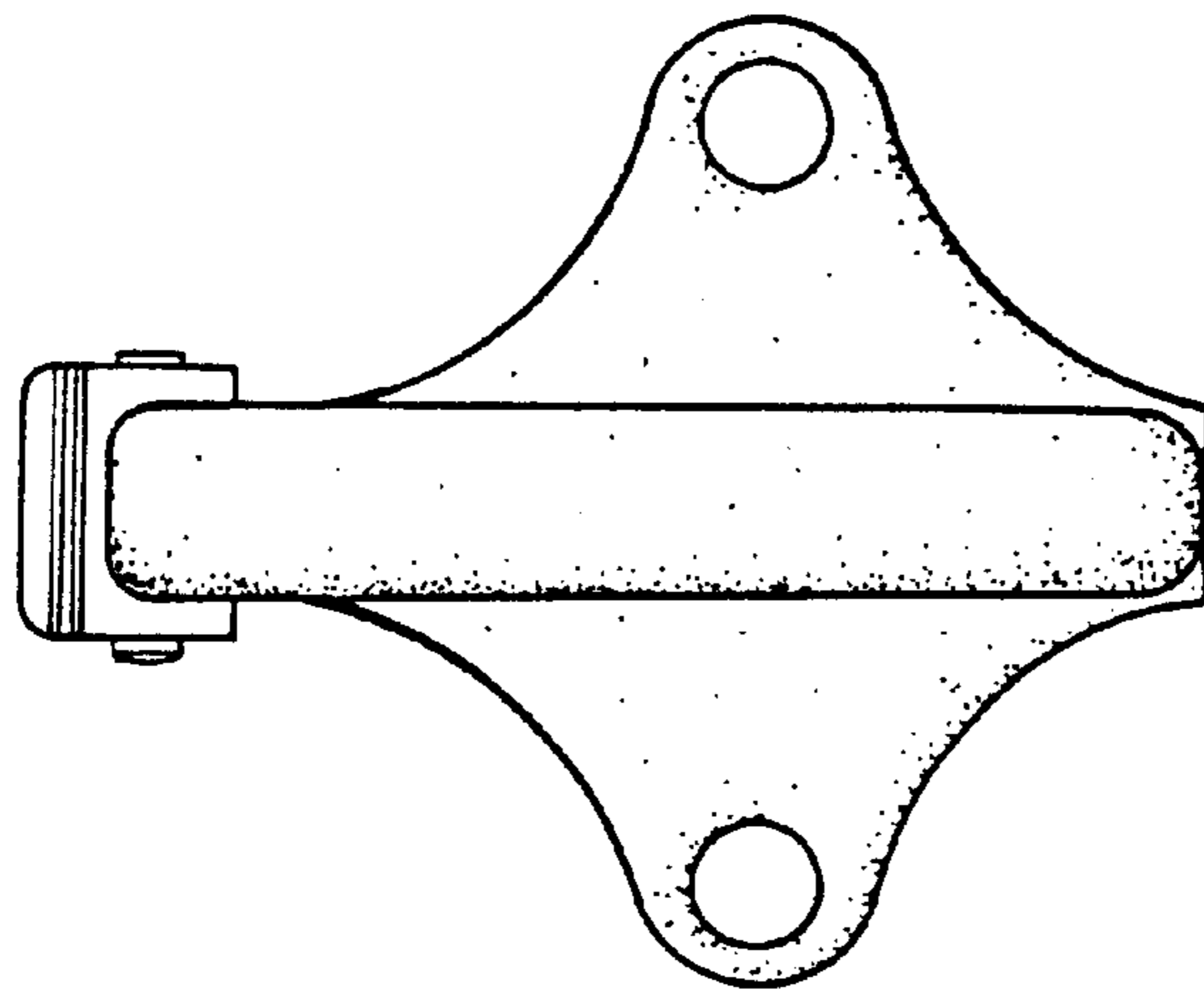


FIG. 4

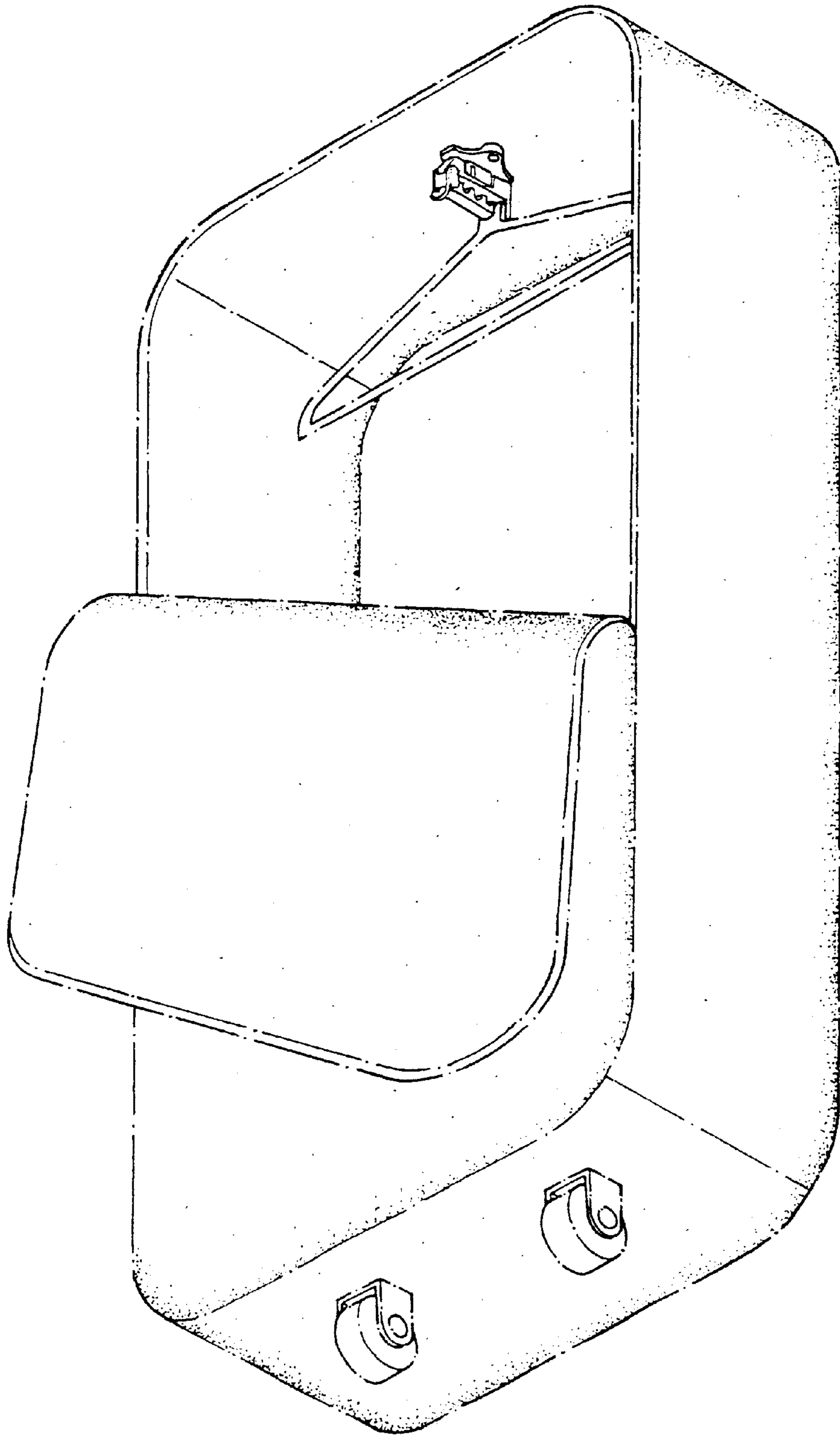


FIG. 7