



US00D451365B1

(12) **United States Design Patent**  
**Mudryk et al.**

(10) **Patent No.:** **US D451,365 S**

(45) **Date of Patent:** **\*\* Dec. 4, 2001**

(54) **POST HINGE**

(75) Inventors: **Boydan Joseph Mudryk**, Seaham;  
**Garry David Campbell**, Valentine,  
both of (AU)

(73) Assignee: **Rondo Building Services Pty. Ltd.**,  
New South Wales (AU)

(\*\*) Term: **14 Years**

(21) Appl. No.: **29/112,491**

(22) Filed: **Oct. 19, 1999**

(30) **Foreign Application Priority Data**

May 27, 1999 (AU) ..... 1671/99

(51) **LOC (7) Cl.** ..... **08-06**

(52) **U.S. Cl.** ..... **D8/325**

(58) **Field of Search** ..... D8/323, 325, 382;  
16/225, 277, 280; 403/291, 292, 295; 256/1,  
66, 73; 116/63 R; 404/6, 10, 11; D25/121,  
126

(56) **References Cited**

**U.S. PATENT DOCUMENTS**

4,090,465 \* 5/1978 Bell, Sr. .... 116/63 R

4,645,168 \* 2/1987 Beard ..... 404/10  
5,197,819 \* 3/1993 Hughes ..... 116/63 R  
6,053,658 \* 4/2000 Gibson, Jr. .... 404/10  
6,109,820 \* 8/2000 Hughes, Sr. .... 404/10

\* cited by examiner

*Primary Examiner*—B. J. Bullock

(74) *Attorney, Agent, or Firm*—Frommer Lawrence &  
Haug LLP; William S. Frommer; Marilyn M. Brogan

(57) **CLAIM**

The ornamental design for a post hinge, as shown and described.

**DESCRIPTION**

FIG. 1 is a perspective view of the post hinge showing our new design;

FIG. 2 is left view thereof;

FIG. 3 is a right view thereof;

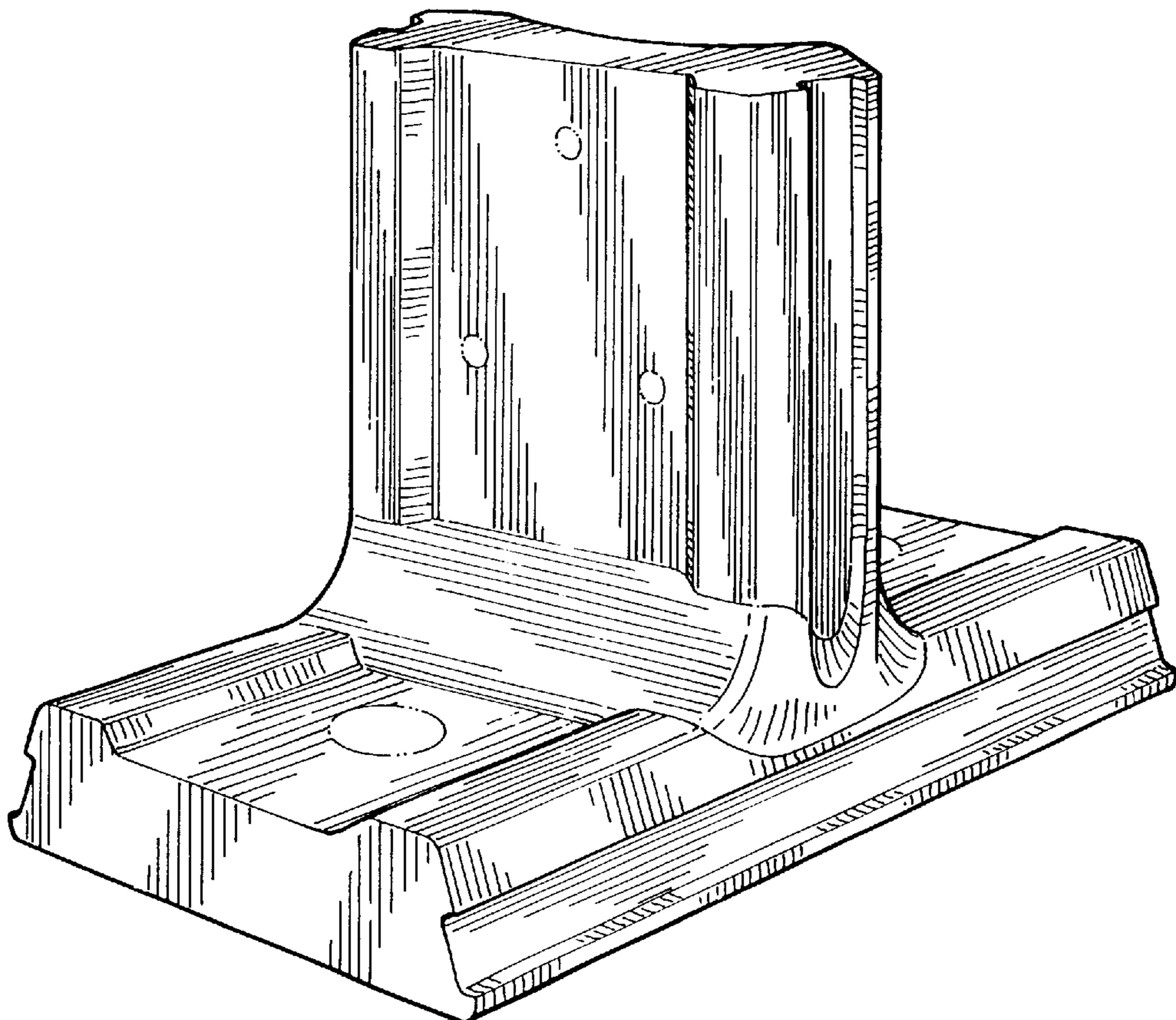
FIG. 4 is a front/rear view thereof;

FIG. 5 is a top view thereof; and,

FIG. 6 is a bottom view thereof.

Broken lines which lie within the bounds of the claimed design are for illustrative purposes only and form no part of the claimed design.

**1 Claim, 2 Drawing Sheets**



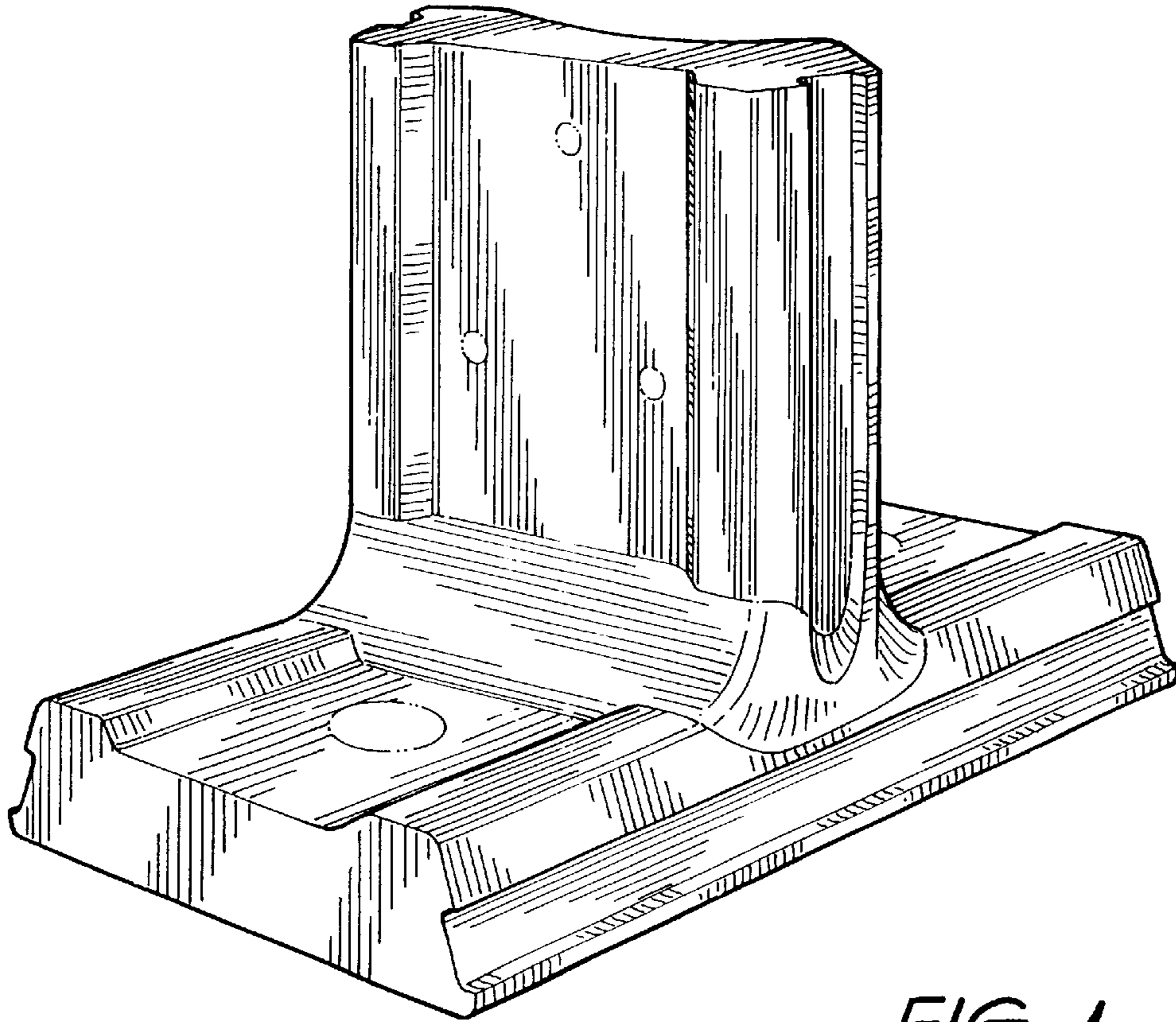


FIG. 1

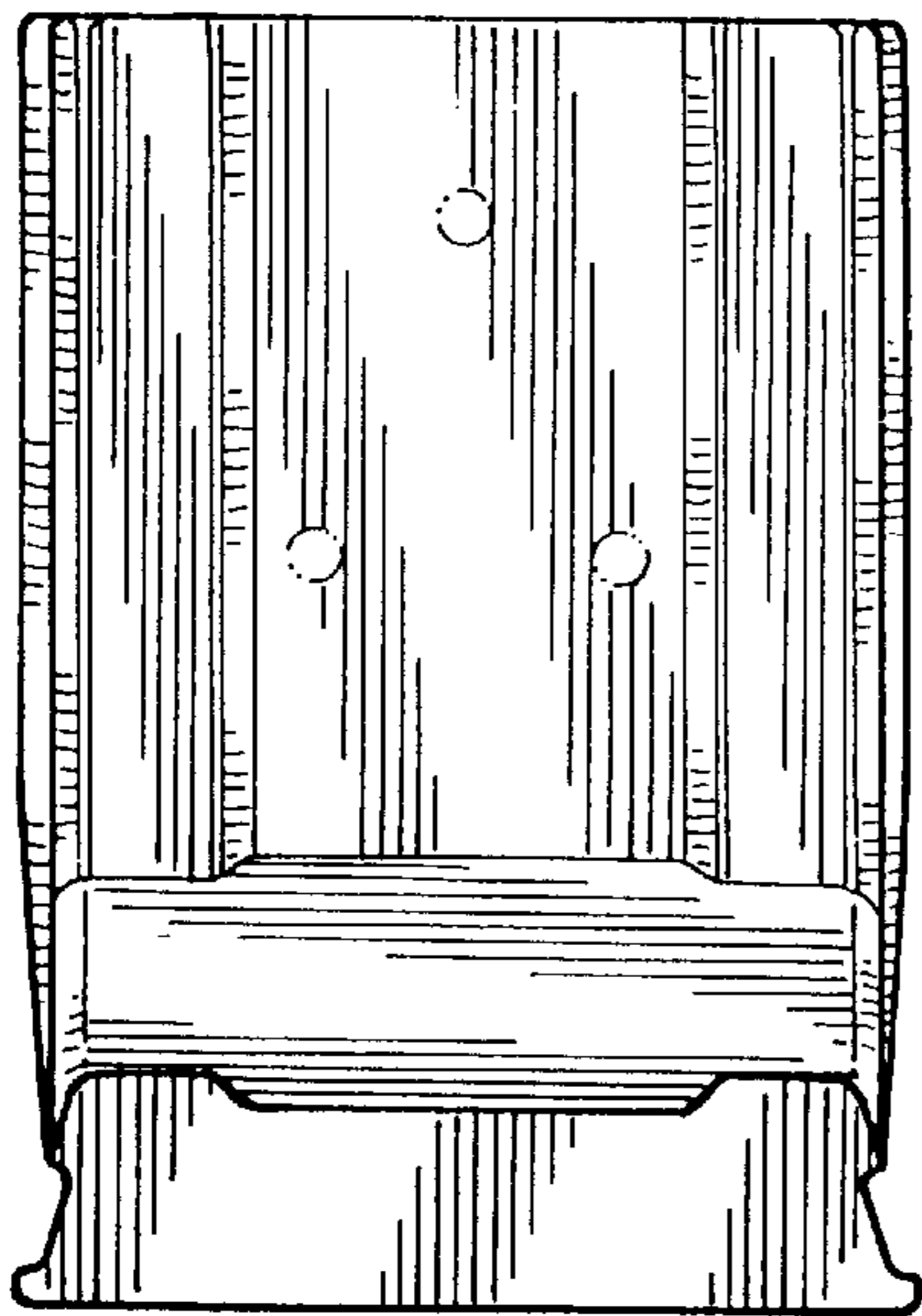


FIG. 2

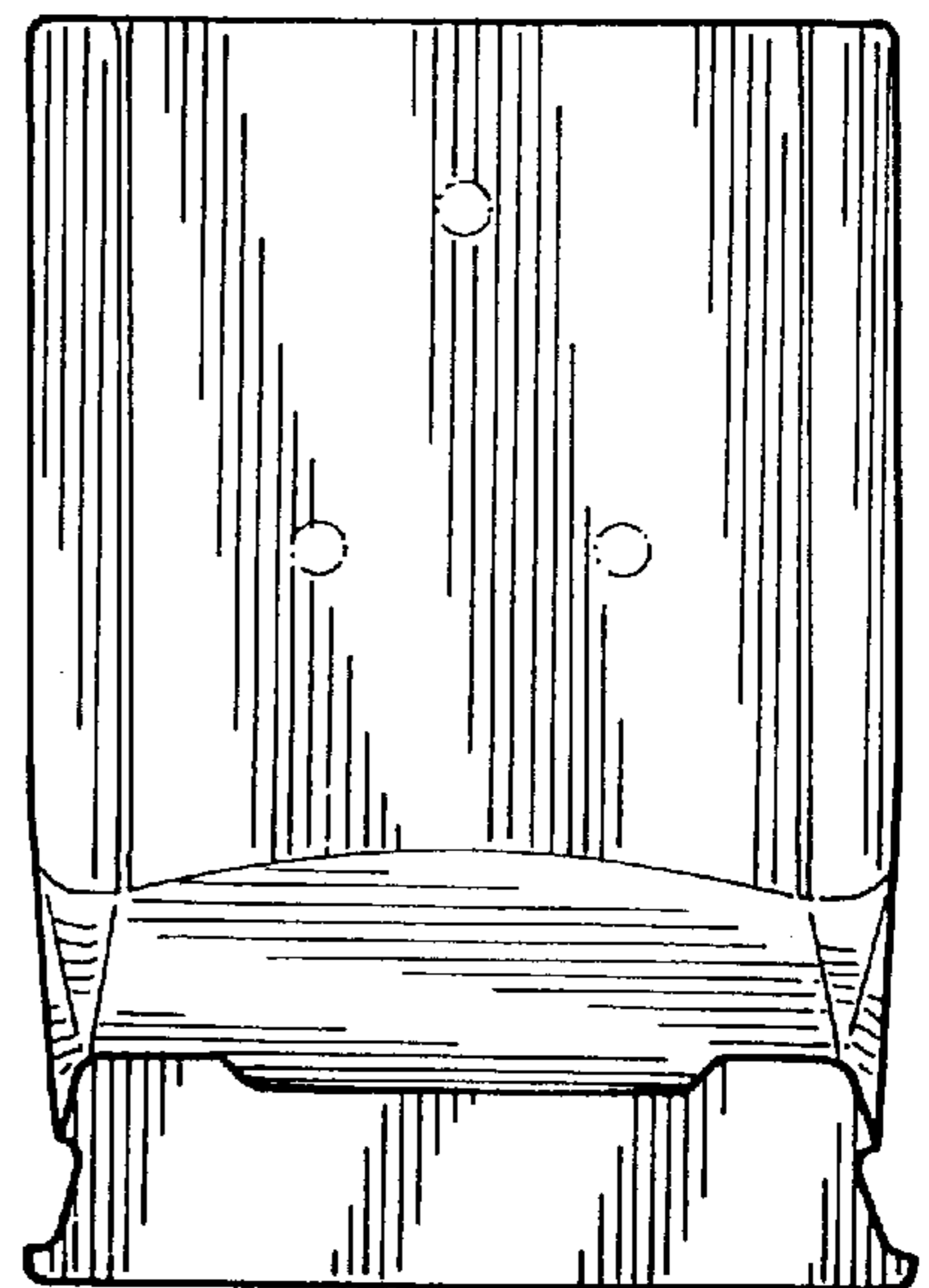


FIG. 3

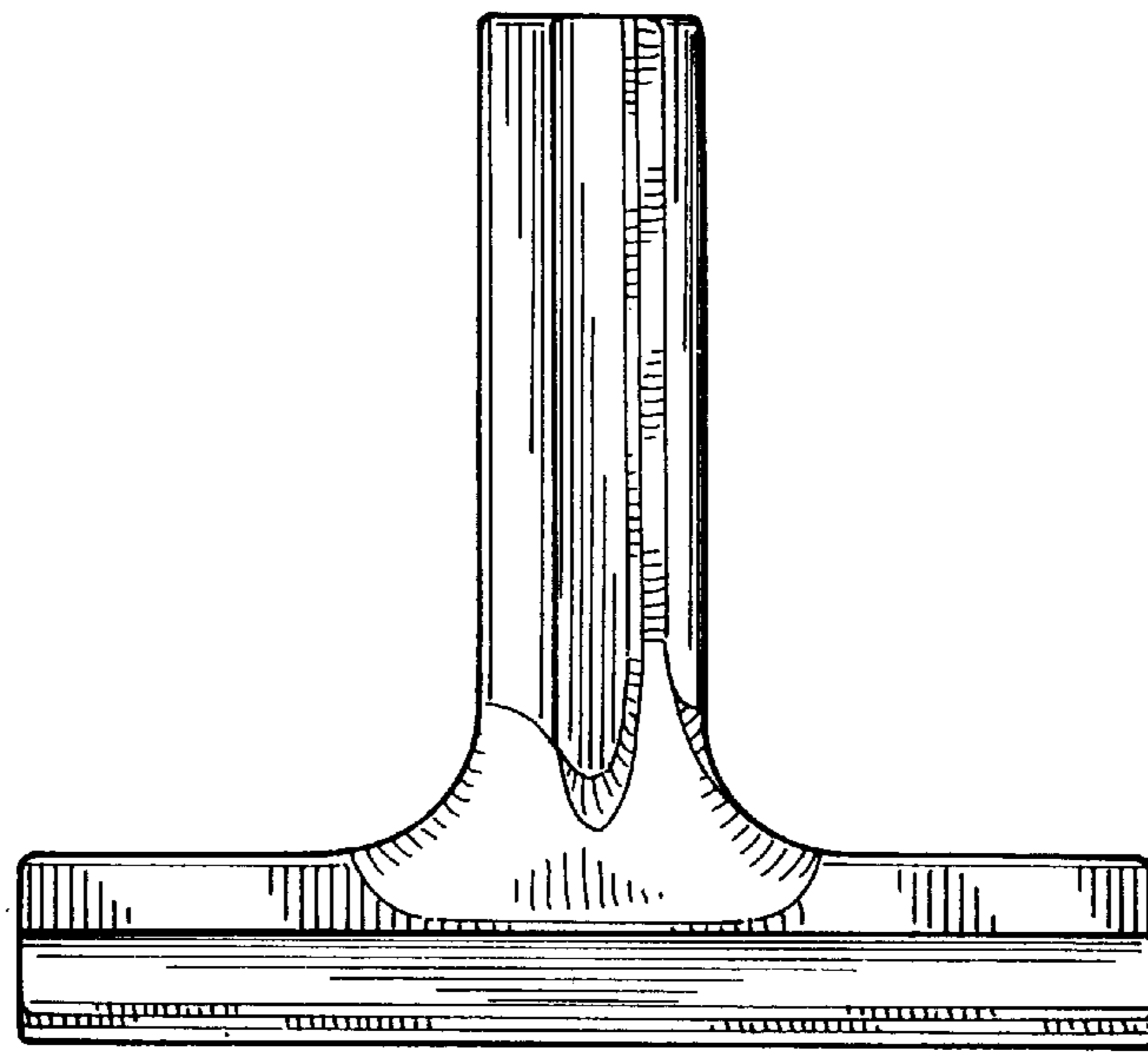


FIG. 4

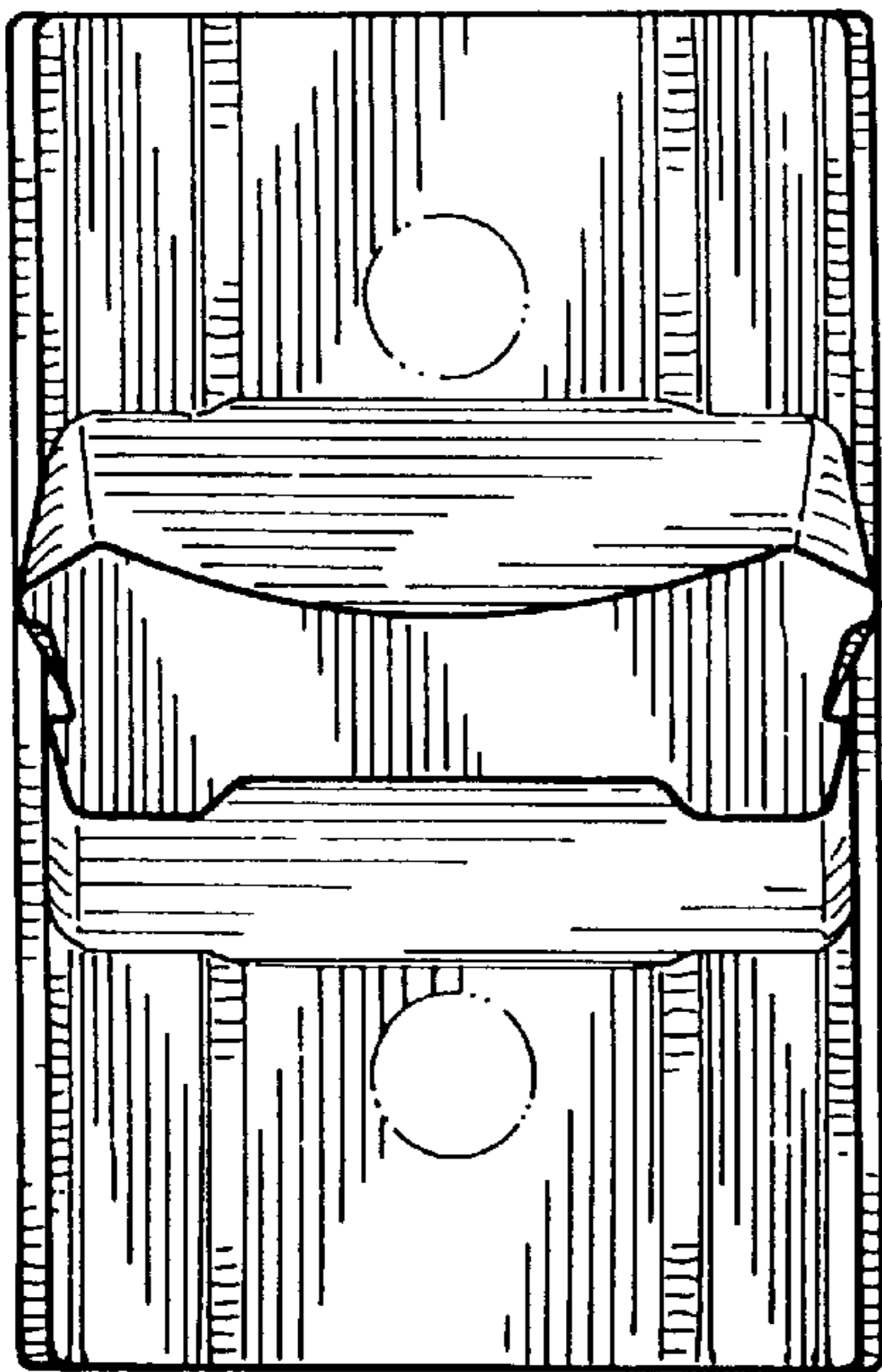


FIG. 5

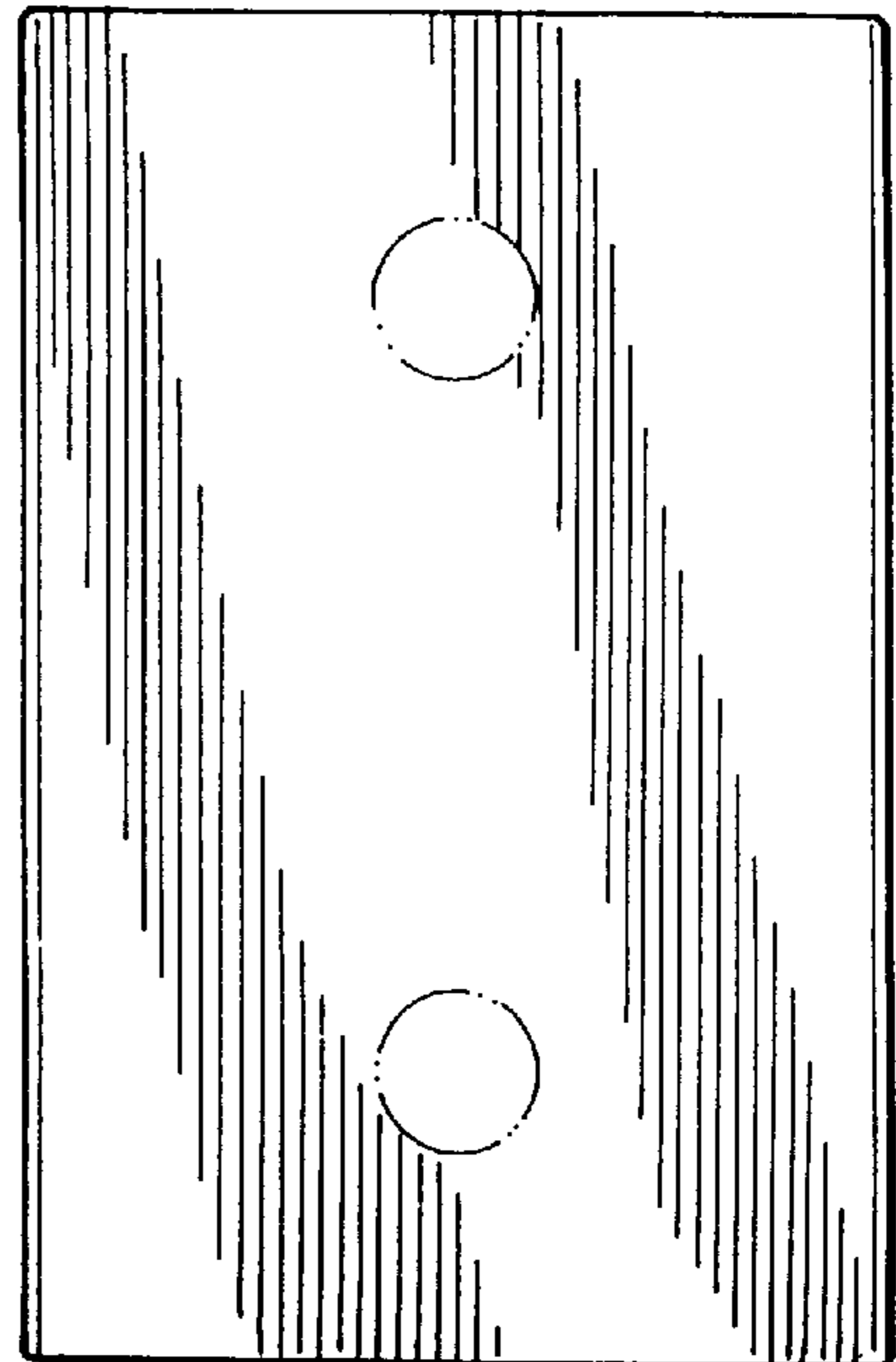


FIG. 6