



US00D451363B1

(12) **United States Design Patent**
Miller

(10) **Patent No.:** **US D451,363 S**

(45) **Date of Patent:** **** Dec. 4, 2001**

(54) **DOOR PULL AND TOWEL BAR FINIAL**

D. 417,995 * 12/1999 Chen D6/550

(75) Inventor: **Craig Miller**, Leawood, KS (US)

OTHER PUBLICATIONS

(73) Assignee: **The Group Legacy L.C.**, Kansas City, MO (US)

Dexter Lock Cat. 986 L; p. 50; lever Old Colony Style 82.*

(**) Term: **14 Years**

* cited by examiner

(21) Appl. No.: **29/136,280**

Primary Examiner—B. J. Bullock

(22) Filed: **Jan. 26, 2001**

(74) *Attorney, Agent, or Firm*—Hovey, Williams, Timmons & Collins

(51) **LOC (7) Cl.** **08-06**

(52) **U.S. Cl.** **D8/321; D6/549; D6/550**

(58) **Field of Search** D8/300–302, 315–320,
D8/321, 378; 16/110.1, 412, 415, 419,
420, 444–6; 428/28; 292/336.3, 347, 357;
D6/549, 550

(57) **CLAIM**

The ornamental design for a door pull and towel bar finial, as shown and described.

DESCRIPTION

FIG. 1 is a side elevational view showing a door pull and towel bar finial of the present invention in use on a door pull, shown in dashed lines for environmental purposes only and not forming a part of the present invention.

FIG. 2 is a rear perspective view of the door pull and towel bar finial hereof;

FIG. 3 is a side elevational view thereof; and,

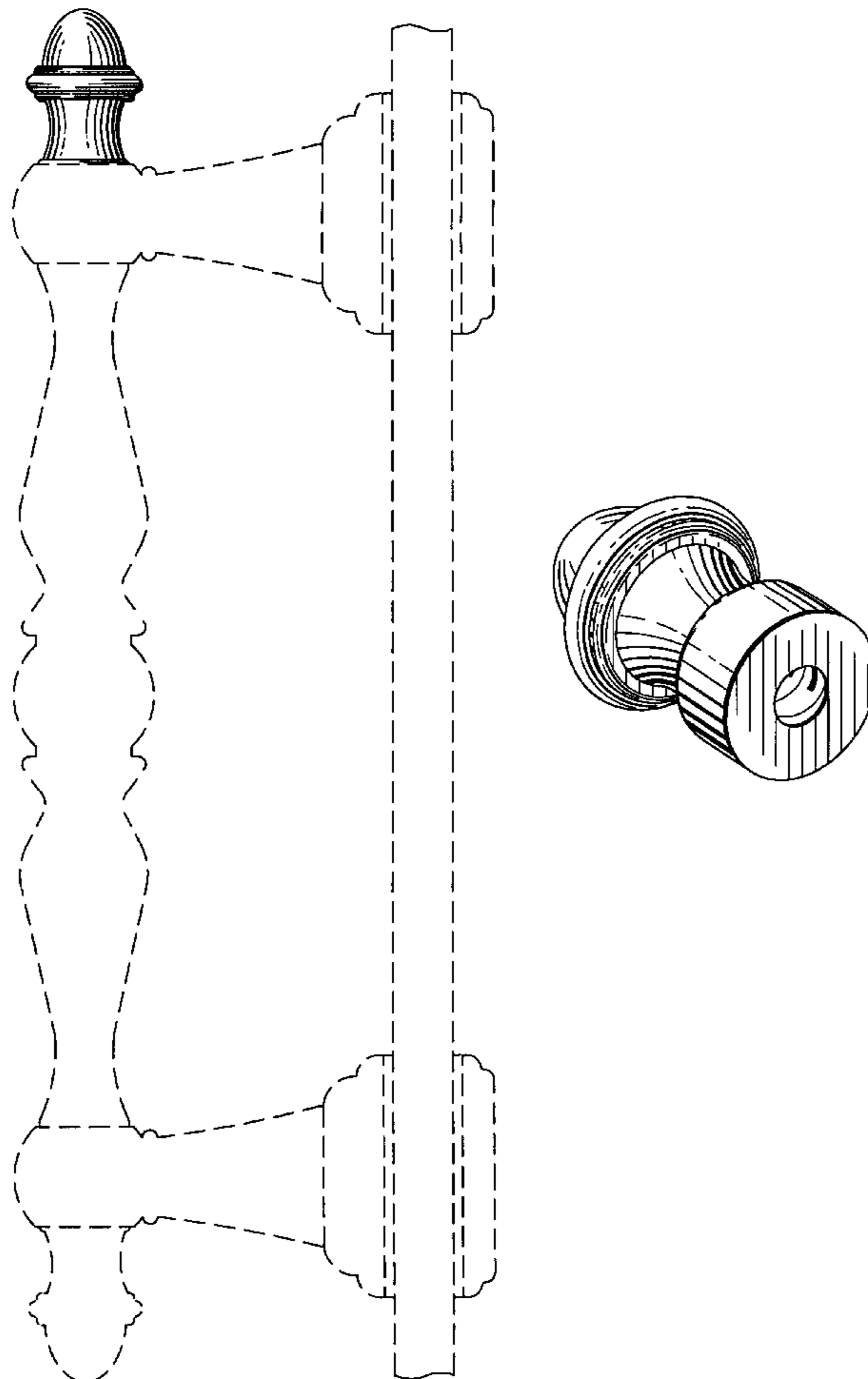
FIG. 4 is a front elevational view thereof.

(56) **References Cited**

U.S. PATENT DOCUMENTS

- D. 37,935 * 4/1906 Schehr .
- D. 60,037 * 12/1921 Kahns .
- D. 230,678 * 3/1974 Zagaroli .
- D. 274,035 * 5/1984 Pawlow D8/316

1 Claim, 1 Drawing Sheet



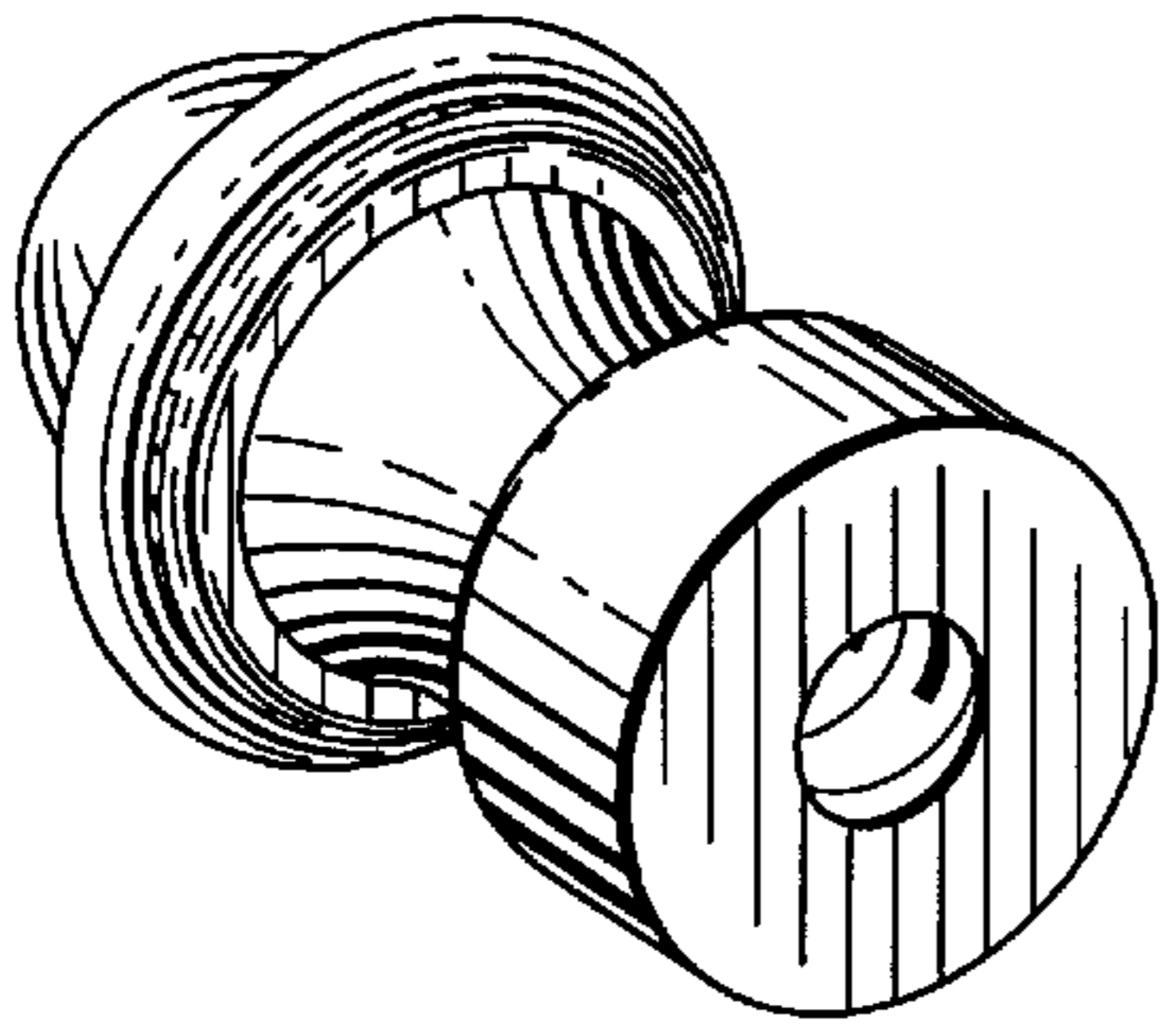


FIG. 2.

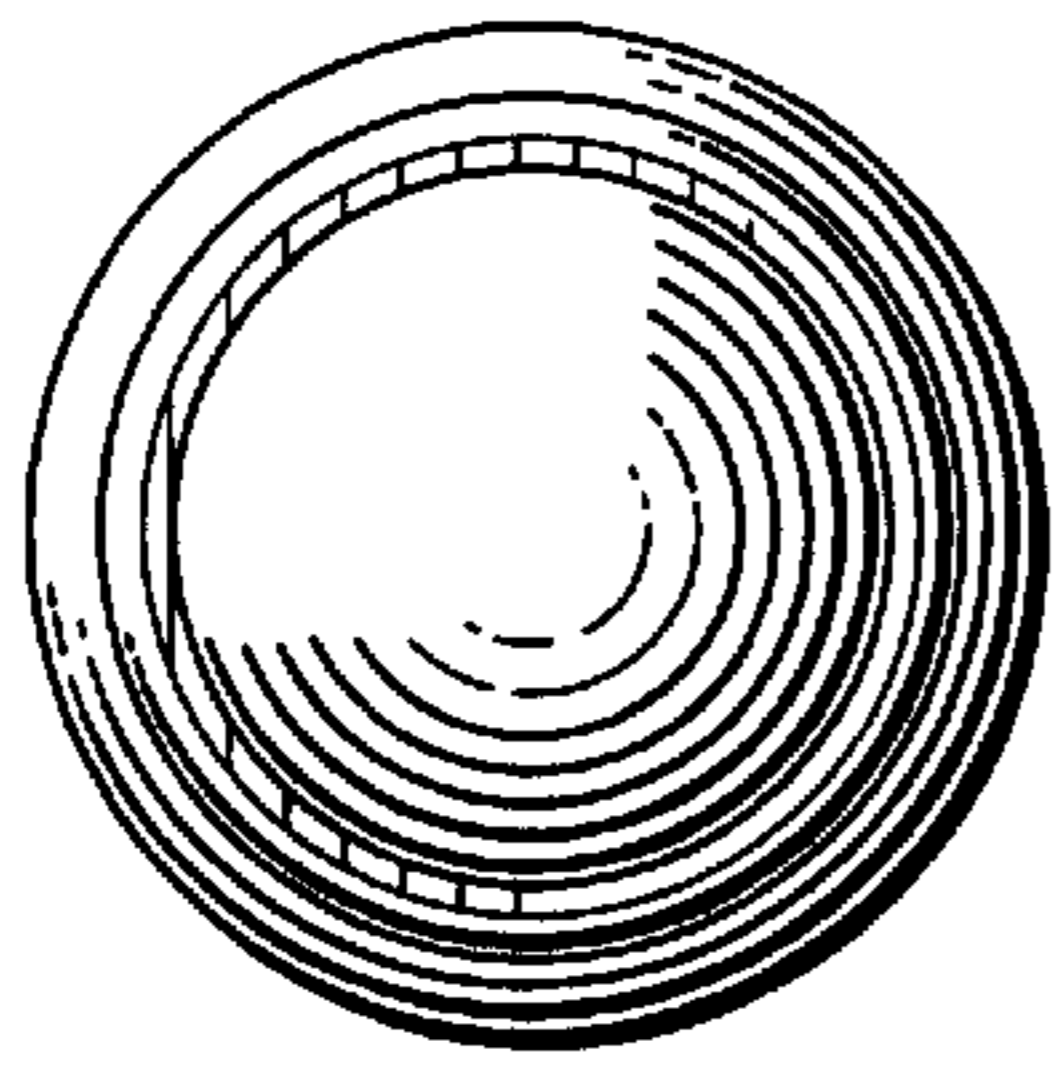


FIG. 4.

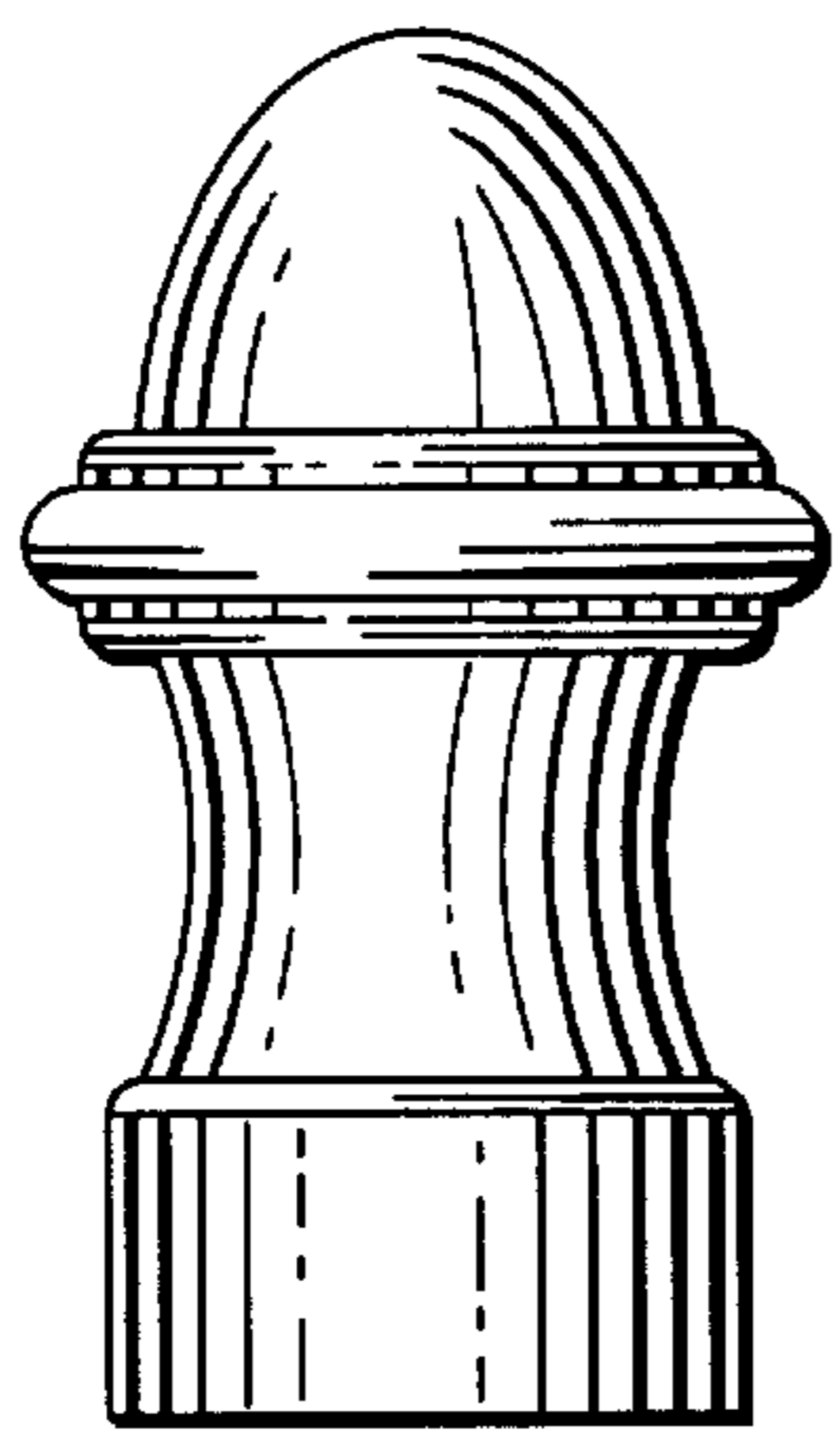


FIG. 3.

FIG. 1.

