



US00D451362B1

(12) **United States Design Patent**
Dewald et al.

(10) **Patent No.:** **US D451,362 S**

(45) **Date of Patent:** **** Dec. 4, 2001**

(54) **PULL**

(75) Inventors: **Kevin Dewald**, Spring Lake; **Scott A. Thor**, Comstock Park; **Deborah Mattson**, Plainwell, all of MI (US)

(73) Assignee: **Belwith International, Ltd.**, Grandville, MI (US)

(**) Term: **14 Years**

(21) Appl. No.: **29/136,437**

(22) Filed: **Jan. 31, 2001**

Related U.S. Application Data

(62) Division of application No. 29/103,329, filed on Apr. 13, 1999, now Pat. No. Des. 442,462.

(51) **LOC (7) Cl.** **08-06**

(52) **U.S. Cl.** **D8/307**

(58) **Field of Search** D8/300, 307; 16/110.1, 16/412, 414, 415, 417, 441, 416, 443

(56)

References Cited

U.S. PATENT DOCUMENTS

- D. 51,961 * 4/1918 Healey .
- D. 64,095 * 2/1924 Yates .
- D. 65,142 * 7/1924 Roth .
- D. 188,342 * 7/1960 Faber .
- D. 235,617 * 7/1975 Tegner .

* cited by examiner

Primary Examiner—B. J. Bullock

(74) *Attorney, Agent, or Firm*—Rader, Fishman & Grauer PLLC

(57)

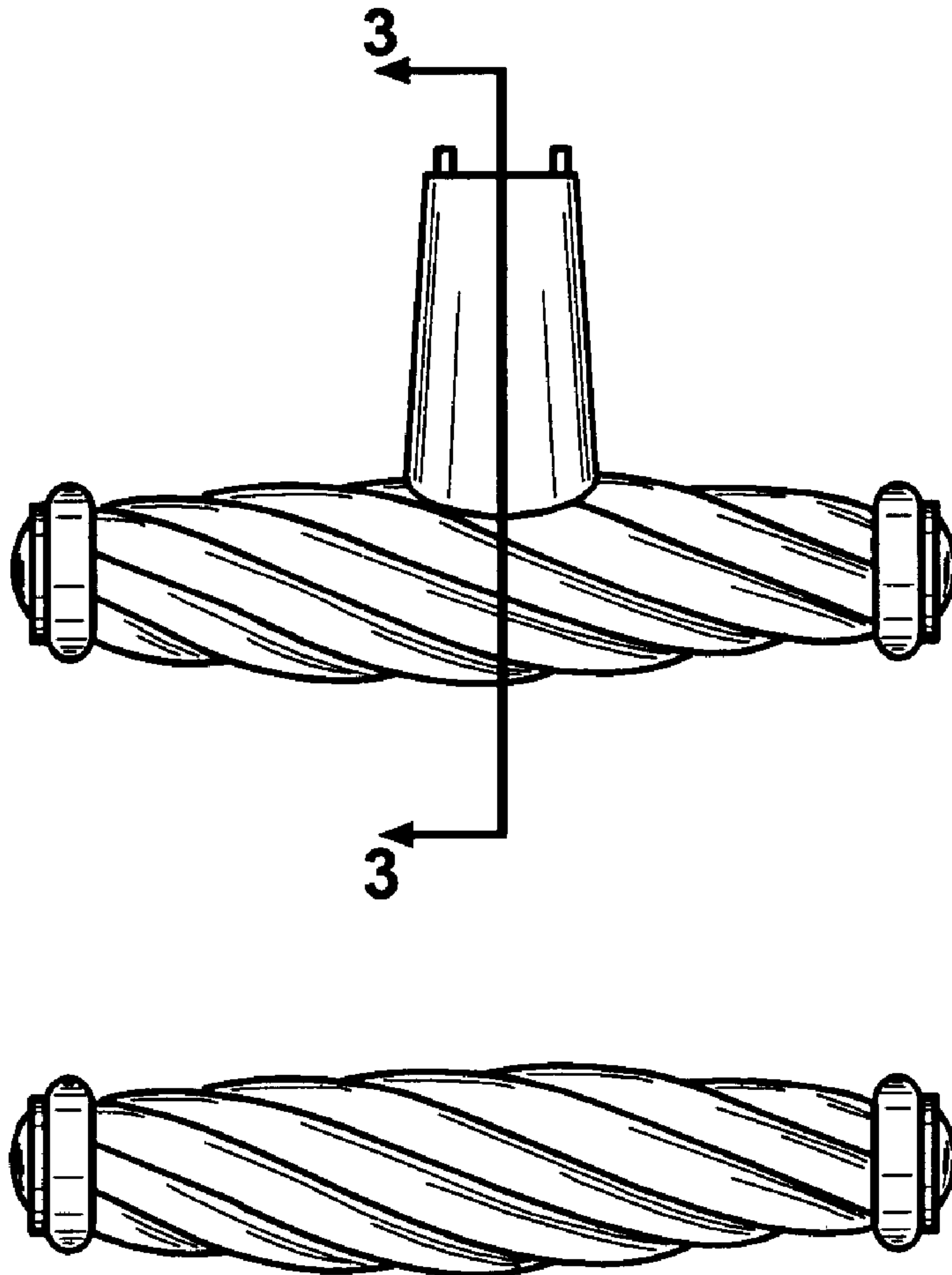
CLAIM

The ornamental design for a pull, as shown and described.

DESCRIPTION

FIG. 1 is a top view of the pull of the present invention. FIG. 2 is a front elevational view of the pull of FIG. 1; and, FIG. 3 is a cross sectional view taken substantially through lines 3—3 of FIG. 1.

1 Claim, 1 Drawing Sheet



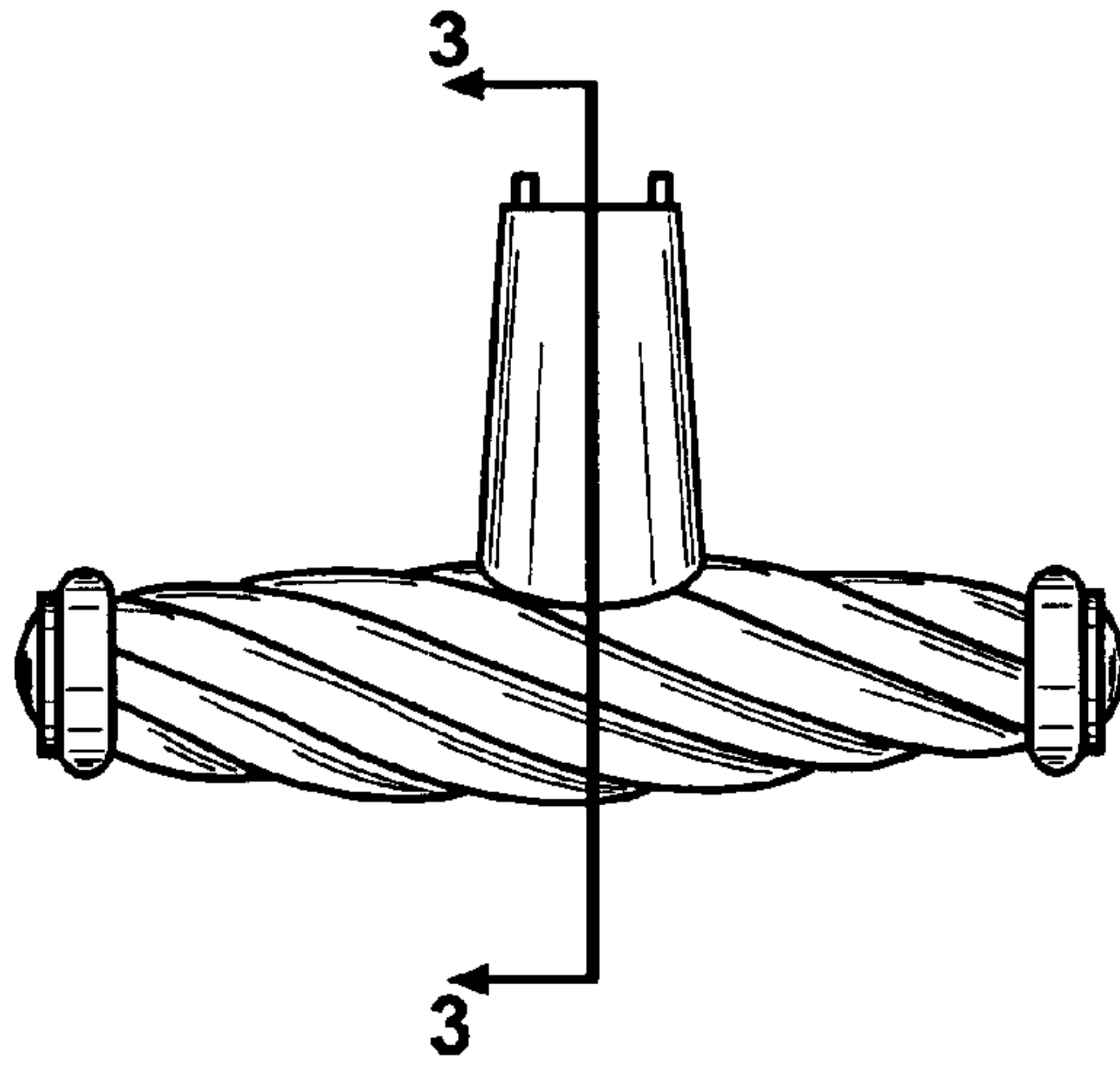


Fig. 1



Fig. 2

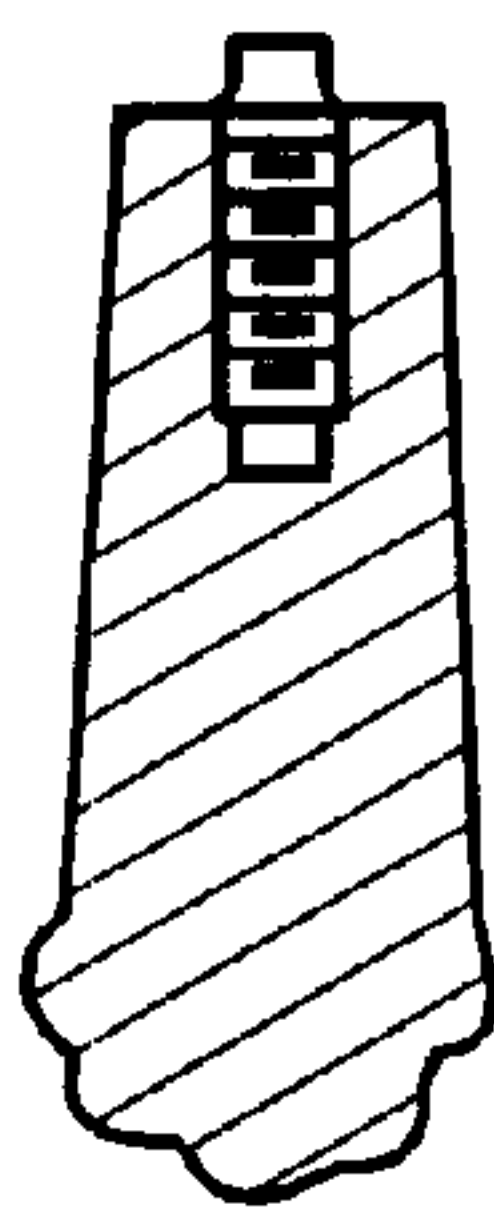


Fig. 3