



US00D451361B1

(12) **United States Design Patent**
Yang

(10) **Patent No.:** **US D451,361 S**

(45) **Date of Patent:** **** Dec. 4, 2001**

(54) **KNOB**

(75) Inventor: **Guoliang Yang**, Kunsan (CN)

(73) Assignee: **Hon Hai Precision Ind. Co., Ltd.**,
Taipei Hsien (TW)

(**) Term: **14 Years**

(21) Appl. No.: **29/134,815**

(22) Filed: **Dec. 29, 2000**

(30) **Foreign Application Priority Data**

Oct. 31, 2000 (CN) 089307319

(51) **LOC (7) Cl.** **08-06**

(52) **U.S. Cl.** **D8/307**

(58) **Field of Search** D8/300, 307-312,
D8/399, 397; 16/110.1, 412-417, 419, 420,
441, 443; 116/309, 319, 320

(56) **References Cited**

U.S. PATENT DOCUMENTS

D. 101,826 * 11/1936 Sinko .

D. 187,847 * 5/1960 Kohler .

D. 218,674 * 9/1970 Ernest .

D. 278,029 * 3/1985 Suponitsky D8/397

2,496,714 * 2/1950 Haines .

3,561,287 * 2/1971 Lawrence, Jr. .

* cited by examiner

Primary Examiner—B. J. Bullock

(74) *Attorney, Agent, or Firm*—Wei Te Chung

(57) **CLAIM**

The ornamental design for a knob, as shown.

DESCRIPTION

FIG. 1 is a front, bottom and right side perspective view of a knob showing my new design;

FIG. 2 is a front elevational view thereof;

FIG. 3 is a rear elevational view thereof;

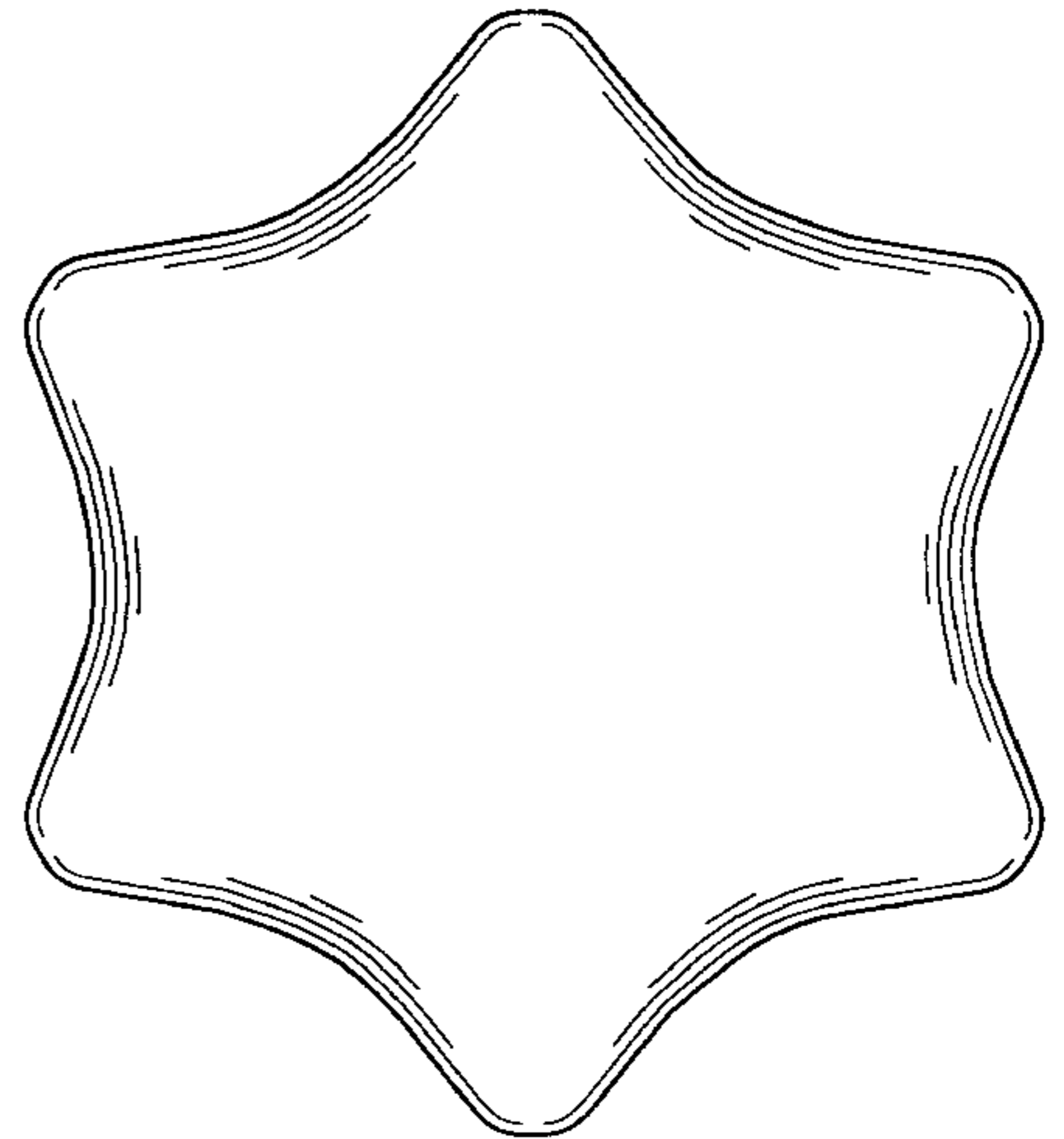
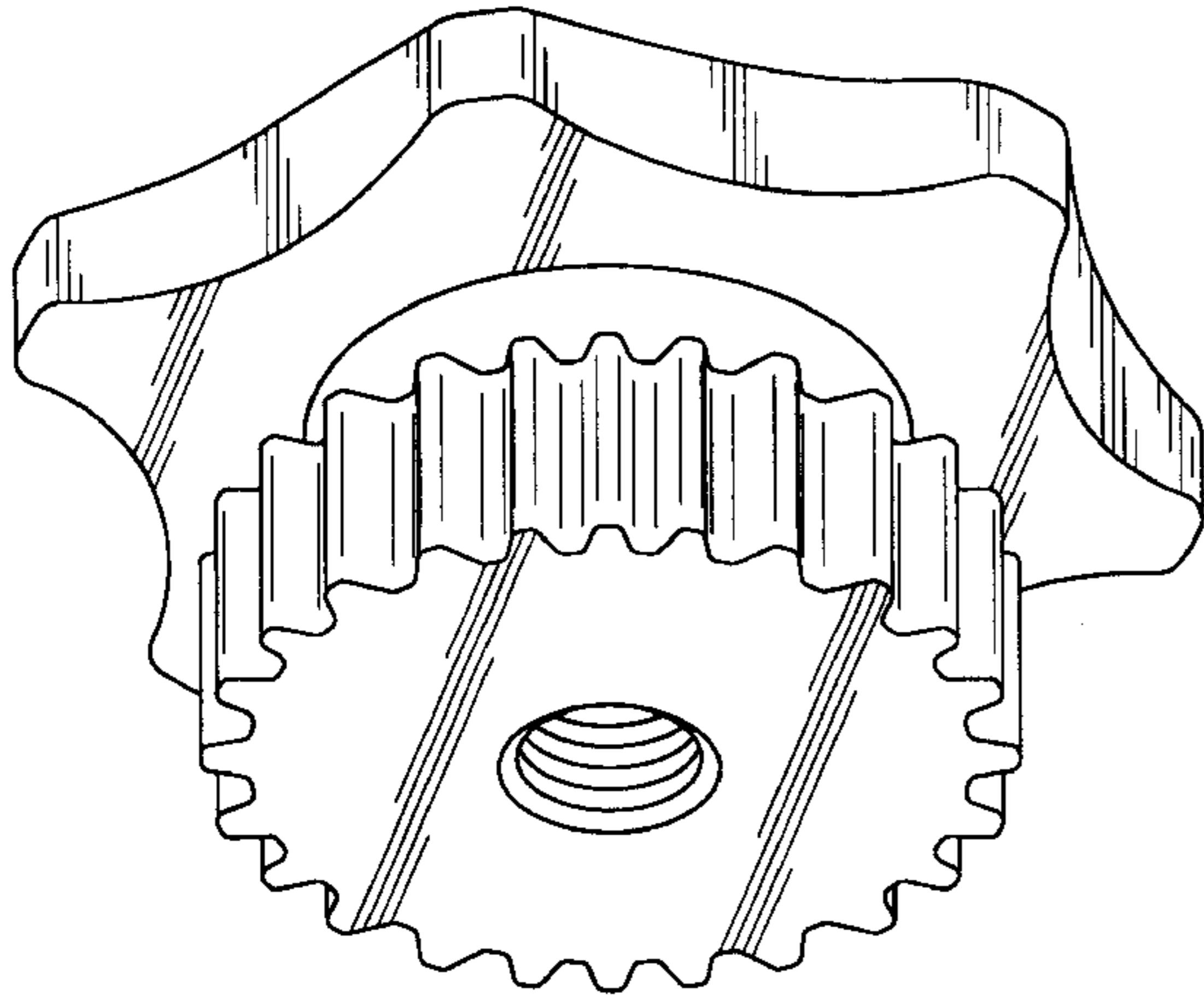
FIG. 4 is a left side elevational view thereof;

FIG. 5 is a right side elevational view thereof;

FIG. 6 is a top plan view thereof; and,

FIG. 7 is a bottom plan view thereof.

1 Claim, 4 Drawing Sheets



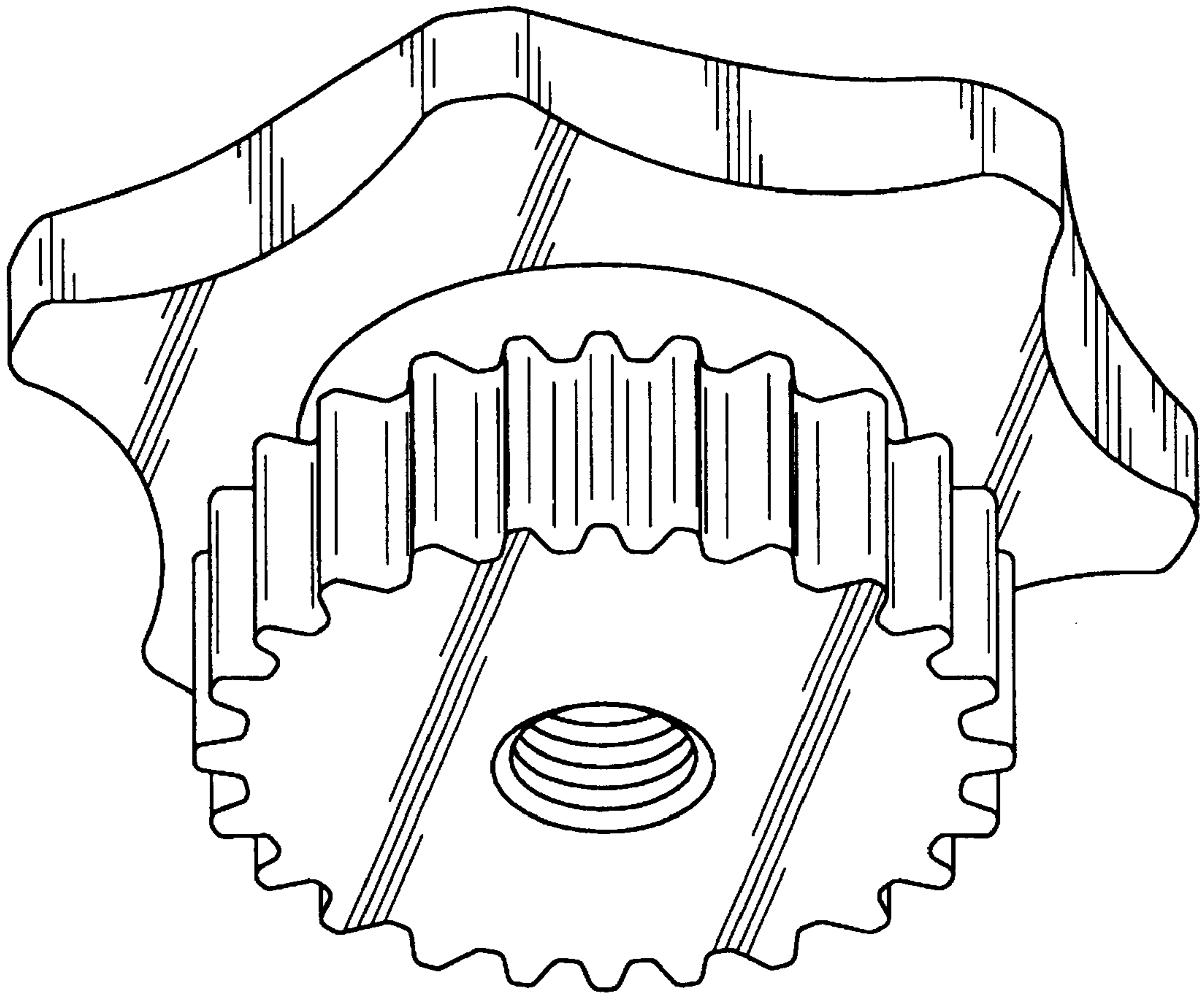


FIG. 1

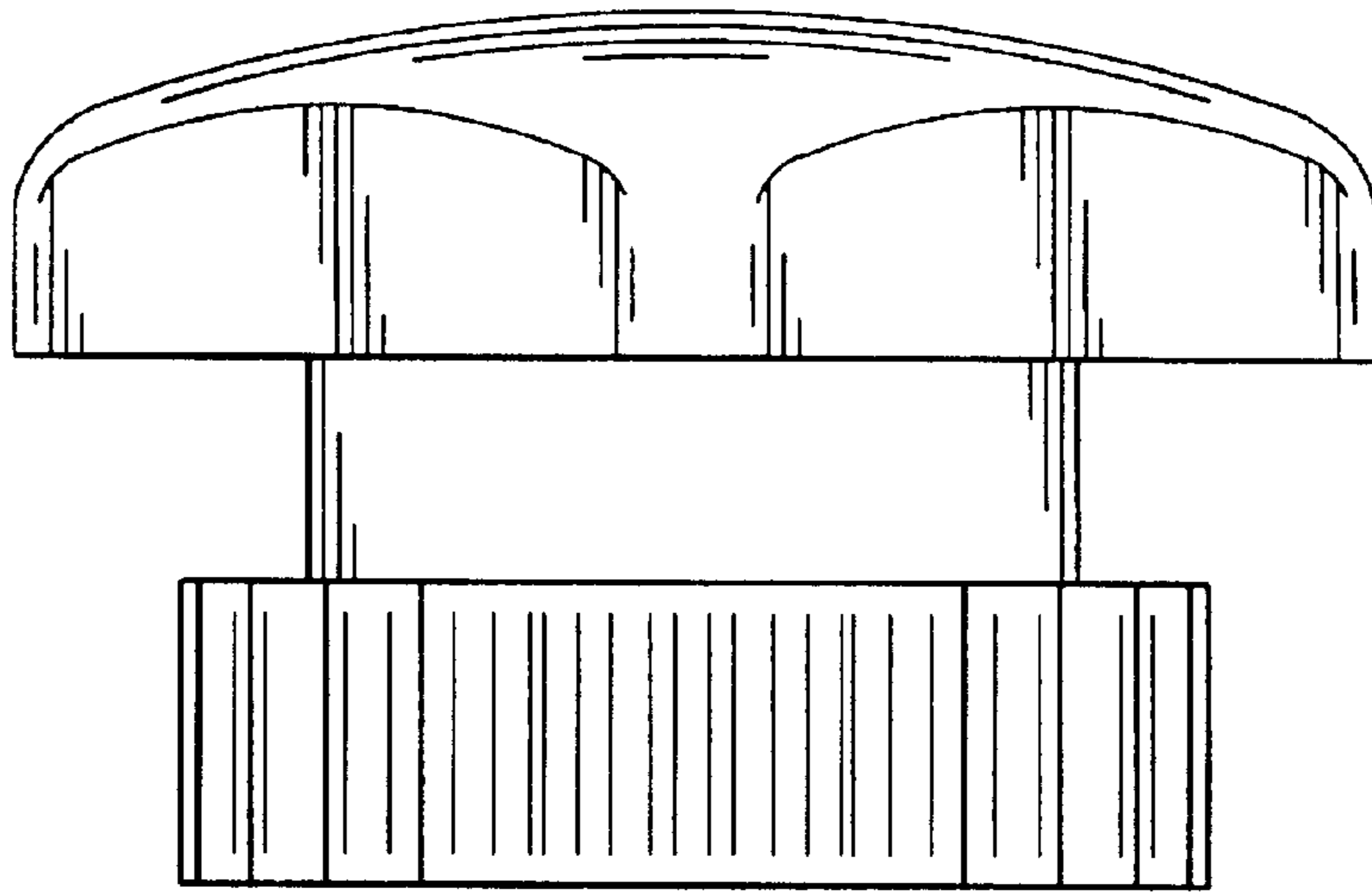


FIG. 2

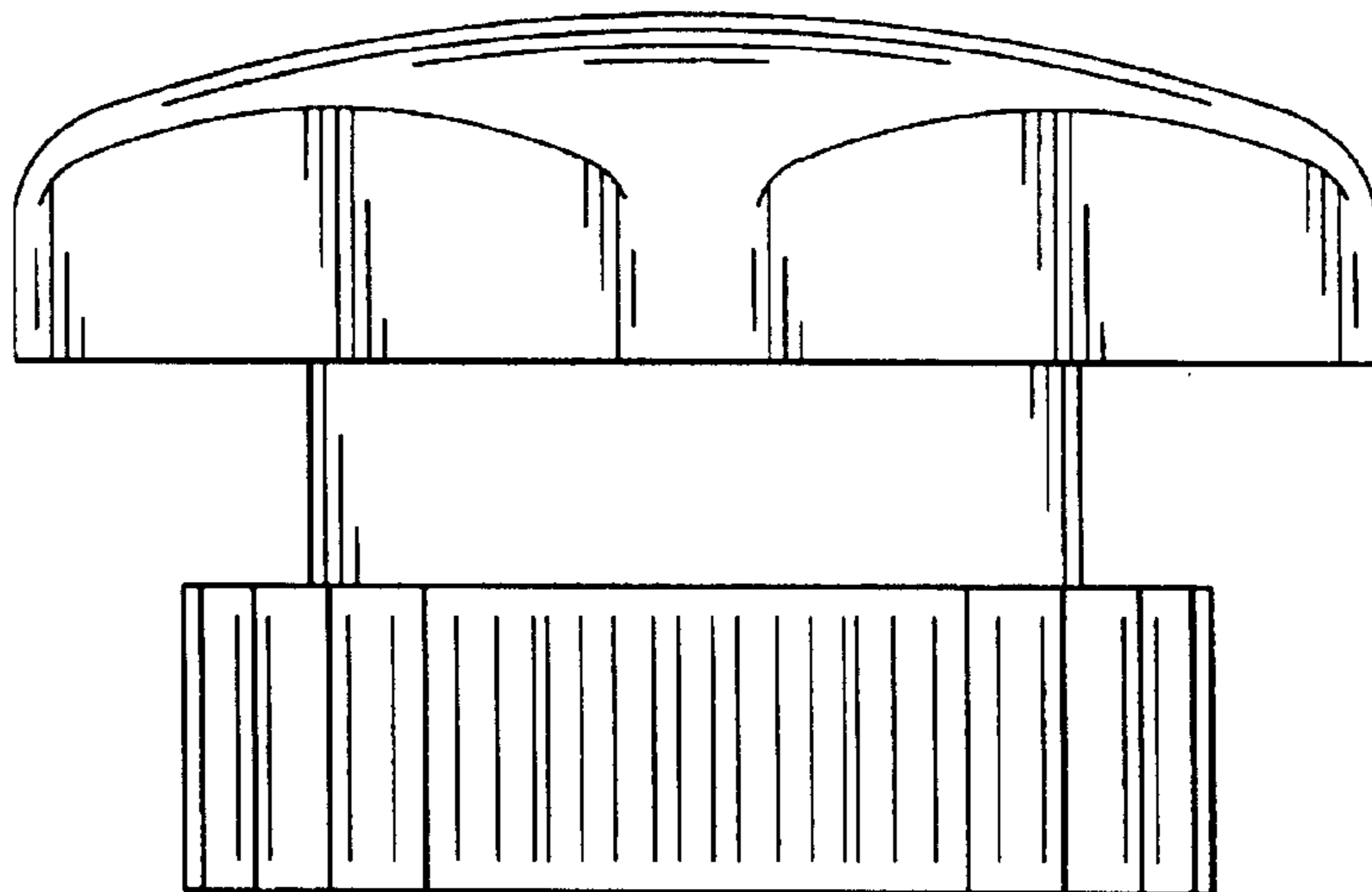


FIG. 3

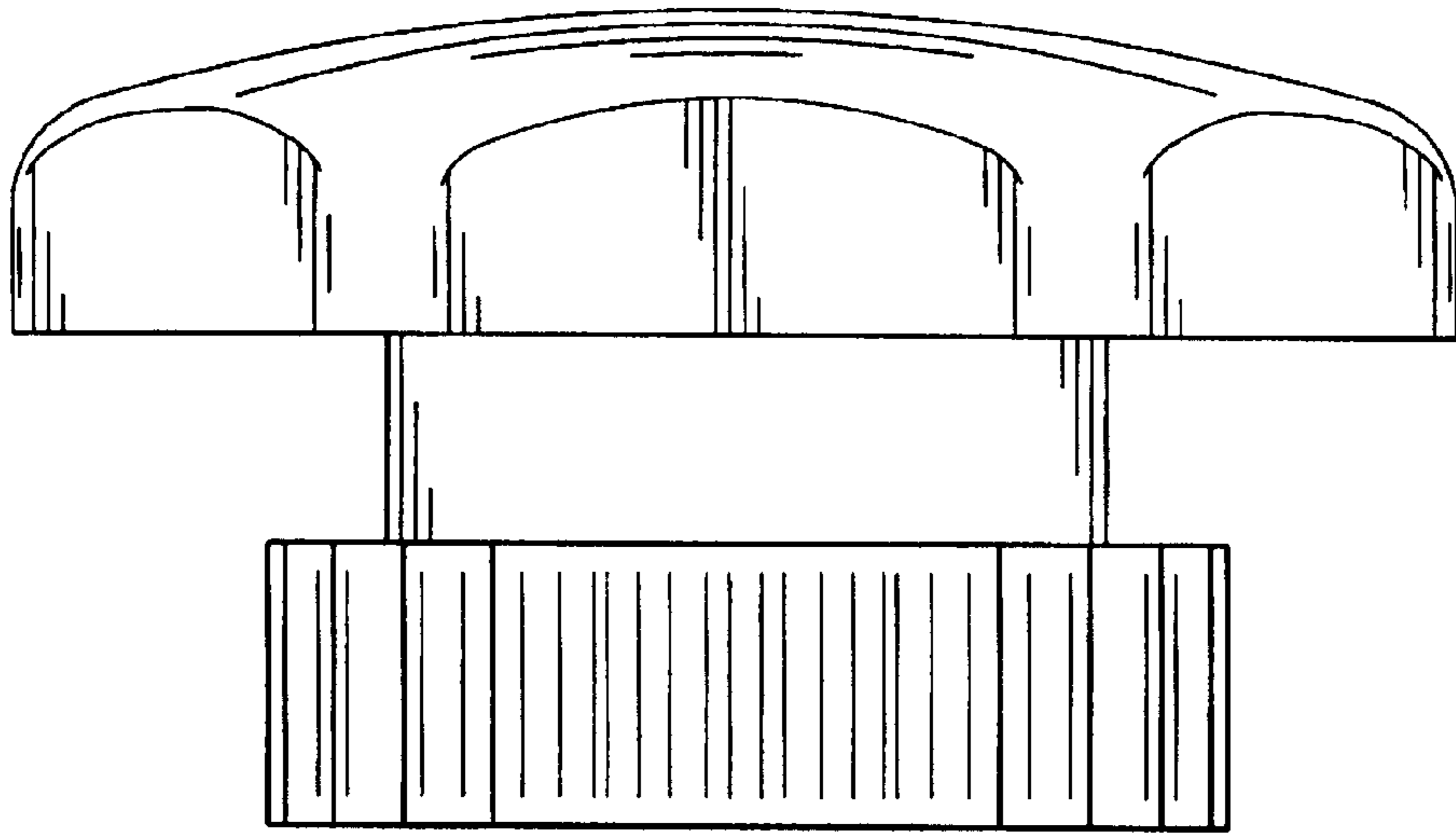


FIG. 4

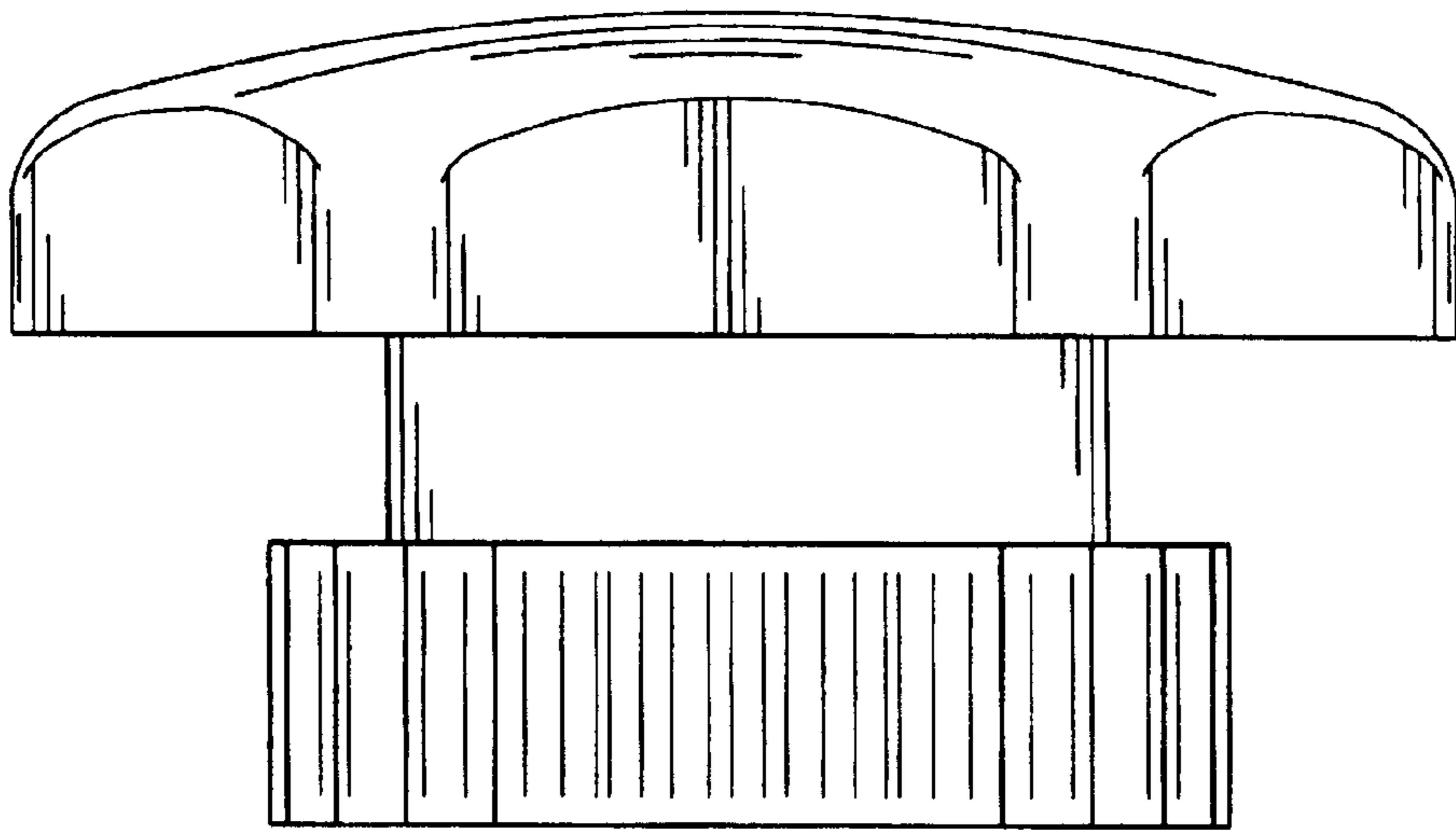


FIG. 5

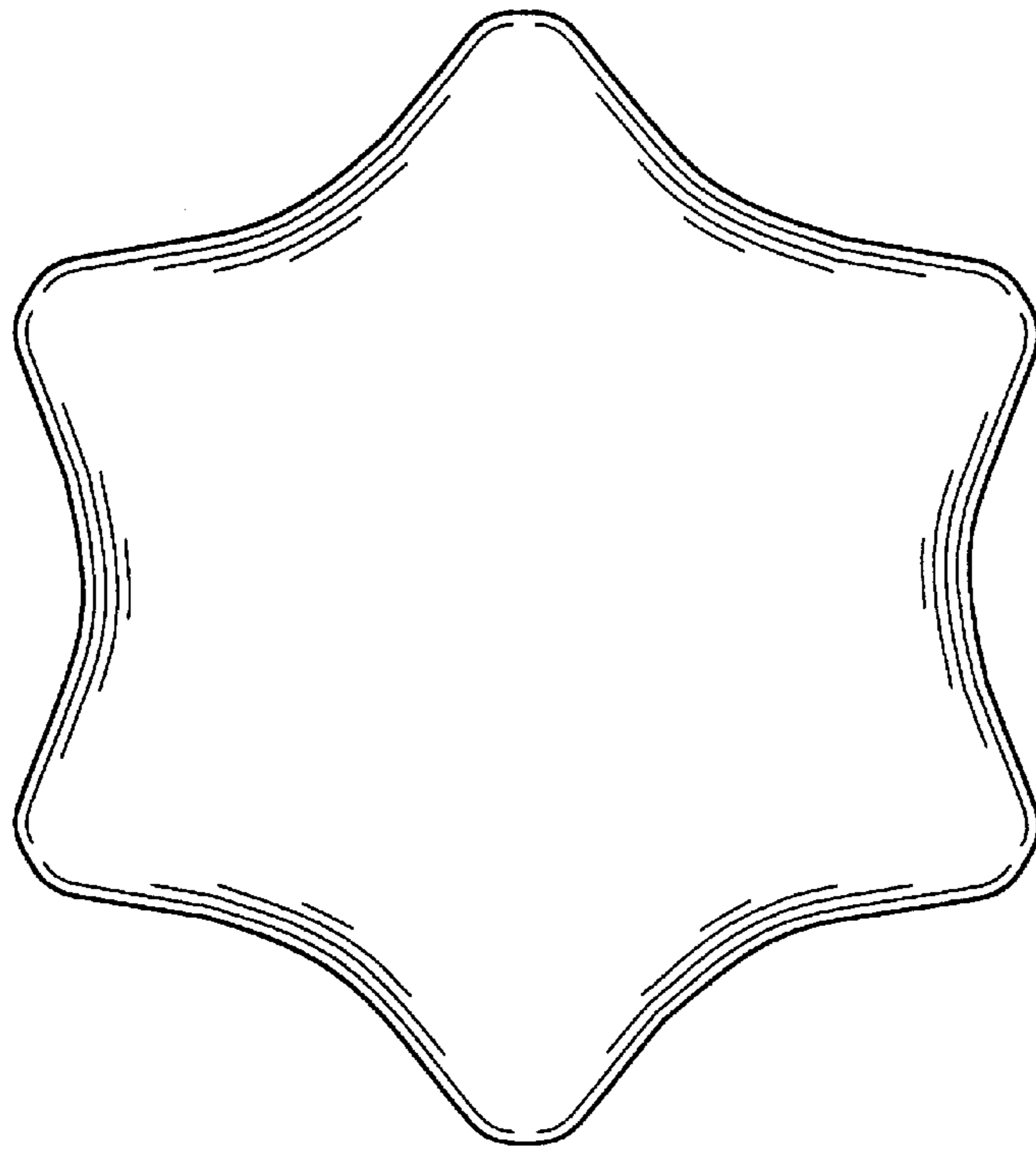


FIG. 6

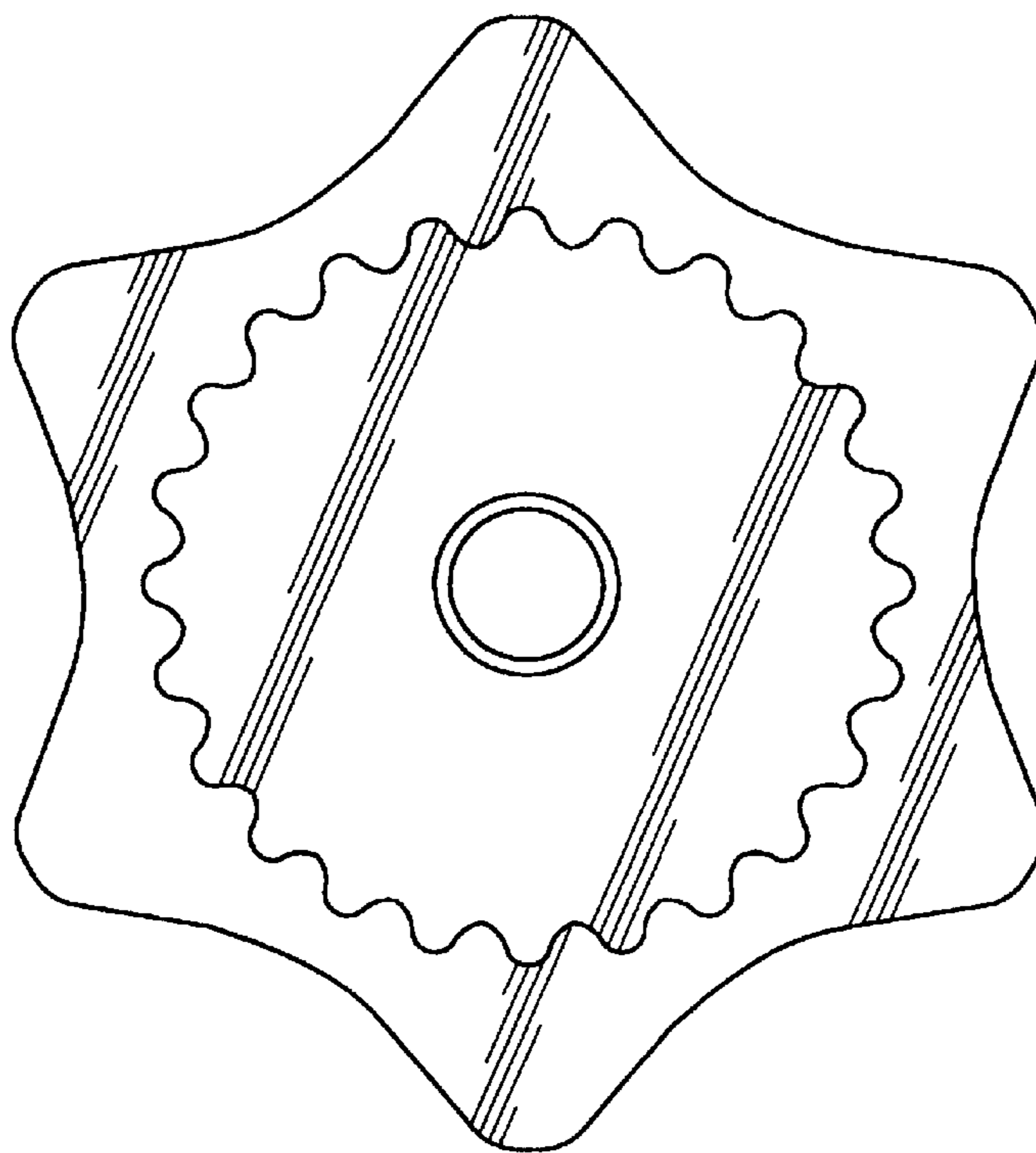


FIG. 7