



US00D451356B1

(12) **United States Design Patent**
Pretzell

(10) **Patent No.:** **US D451,356 S**

(45) **Date of Patent:** **** Dec. 4, 2001**

(54) **JIG SAW**

(75) **Inventor:** **Peter Pretzell, Bochum (DE)**

(73) **Assignee:** **Lidl Stiftung & Co. KG (DE)**

(**) **Term:** **14 Years**

(21) **Appl. No.:** **29/122,088**

(22) **Filed:** **Apr. 19, 2000**

(30) **Foreign Application Priority Data**

Oct. 20, 1999 (DE) 4 99 09 945

(51) **LOC (7) Cl.** **08-01**

(52) **U.S. Cl.** **D8/64**

(58) **Field of Search** D8/61-70; 81/57.11,
81/56, 54, 57.42; 30/376, 377, 387-393,
375

(56) **References Cited**

U.S. PATENT DOCUMENTS

D. 197,549	*	2/1964	Johnson	D8/64
D. 262,472	*	12/1981	Wildman	D21/532
D. 339,276	*	9/1993	Matsuoka et al.	D8/64
D. 404,274	*	1/1999	Ogasawara et al.	D8/64
D. 409,469	*	5/1999	Niwa et al.	D8/69
D. 414,094	*	9/1999	Heun	D8/64
D. 420,876	*	2/2000	Bosten et al.	D8/64

D. 423,314	*	4/2000	Robson	D8/64
3,087,519	*	4/1963	McCarty et al.	30/376
3,339,598	*	9/1967	Frostad	30/376
3,863,342	*	2/1975	Griffies et al.	30/393
5,306,025	*	4/1994	Langhoff	279/90
5,535,520	*	7/1996	Armstrong	30/375
5,573,255	*	11/1996	Salpaka	279/75
5,634,277	*	6/1997	Wada et al.	30/392
5,727,322	*	3/1998	Giacometti	30/376
5,765,463	*	6/1998	Okubo et al.	83/747
5,819,421	*	10/1998	Giacometti et al.	30/392

* cited by examiner

Primary Examiner—Jeffrey Asch

(74) *Attorney, Agent, or Firm*—Morgan & Finnegan, LLP

(57) **CLAIM**

The ornamental design for jig saw, as shown and described.

DESCRIPTION

FIG. 1 is a perspective view from the left side of jig saw showing my new design;

FIG. 2 is a top perspective view thereof;

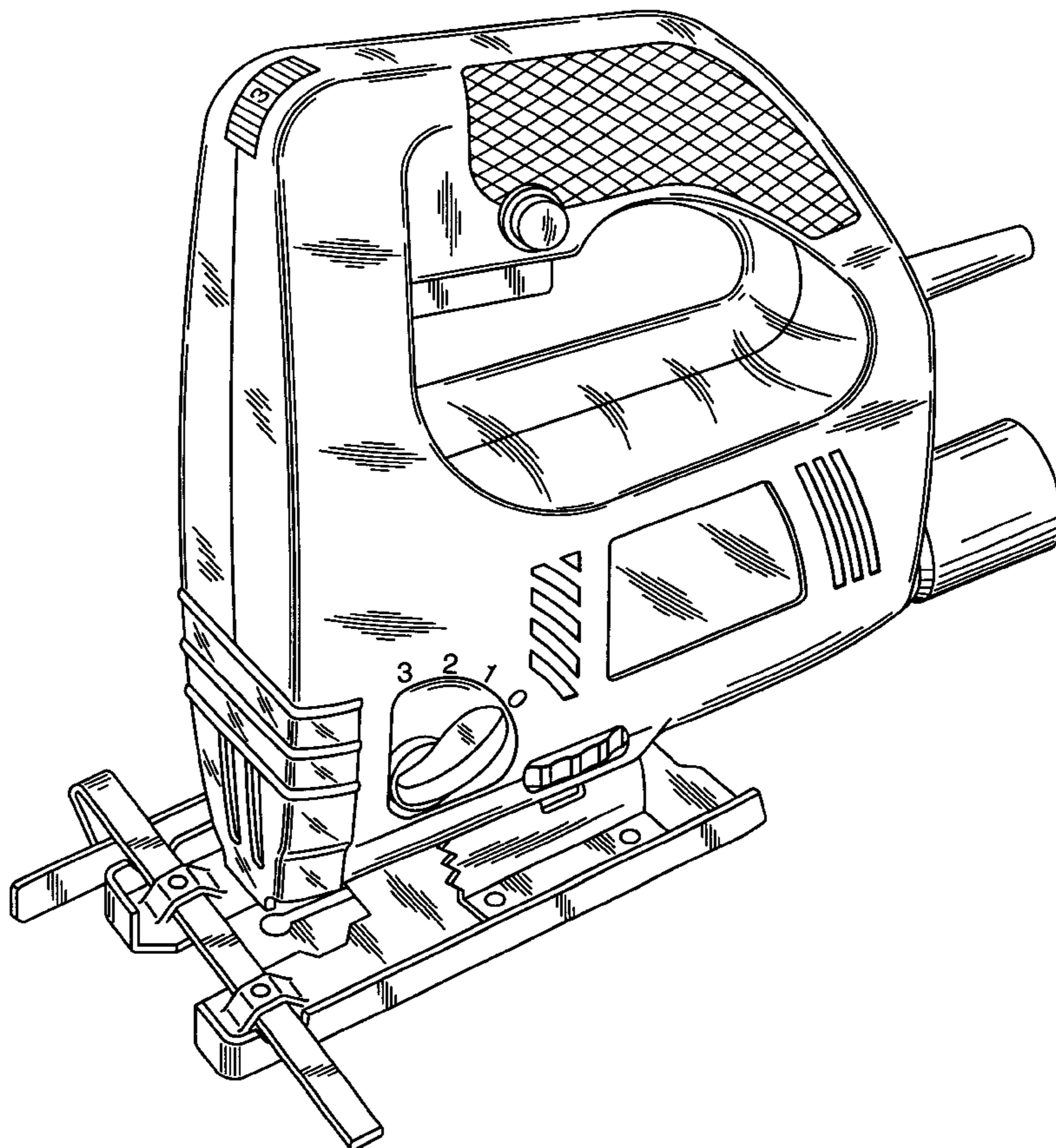
FIG. 3 is a front view thereof;

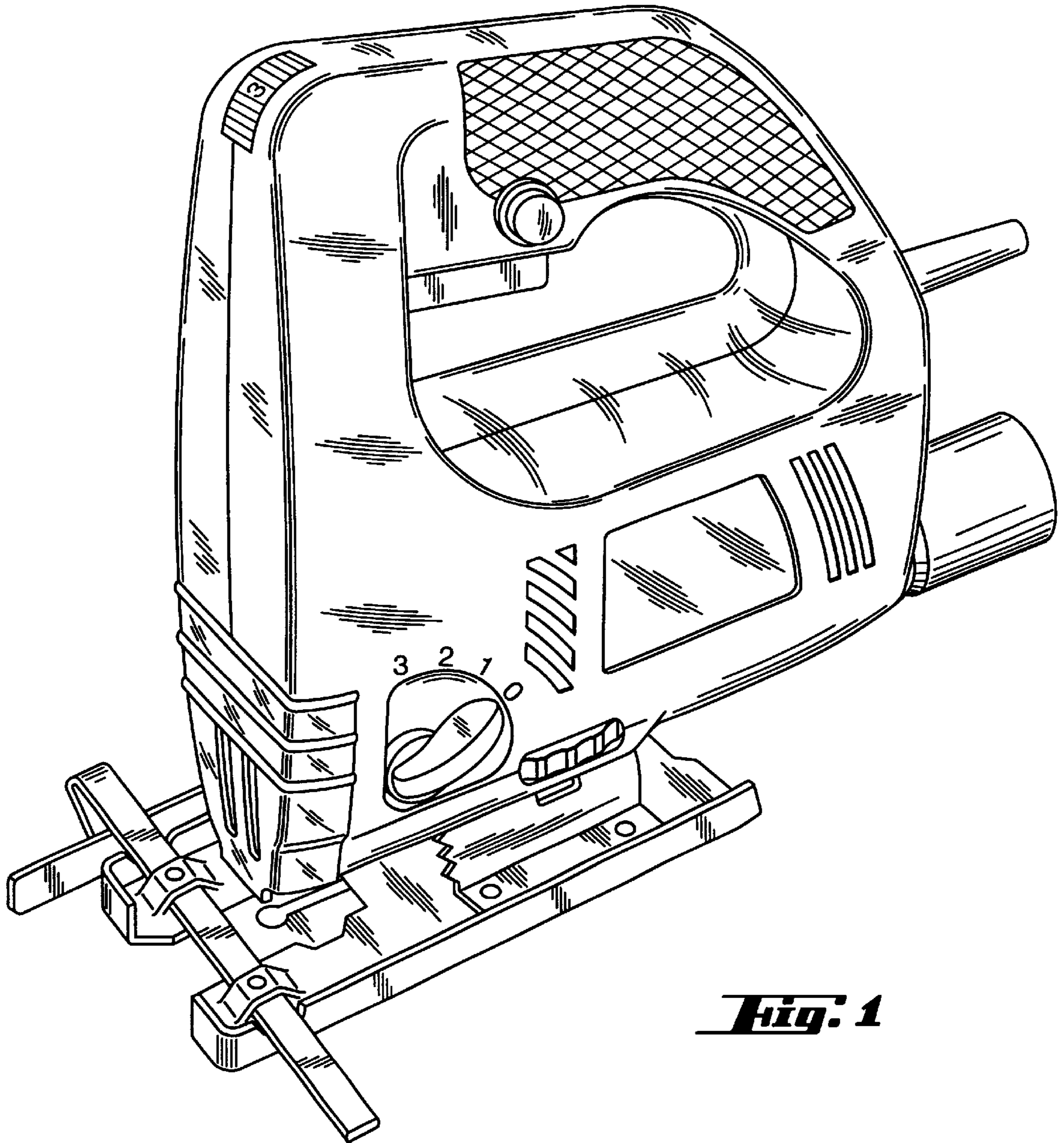
FIG. 4 is a rear view thereof;

FIG. 5 is a left side view thereof; and,

FIG. 6 is a right side view thereof.

1 Claim, 6 Drawing Sheets





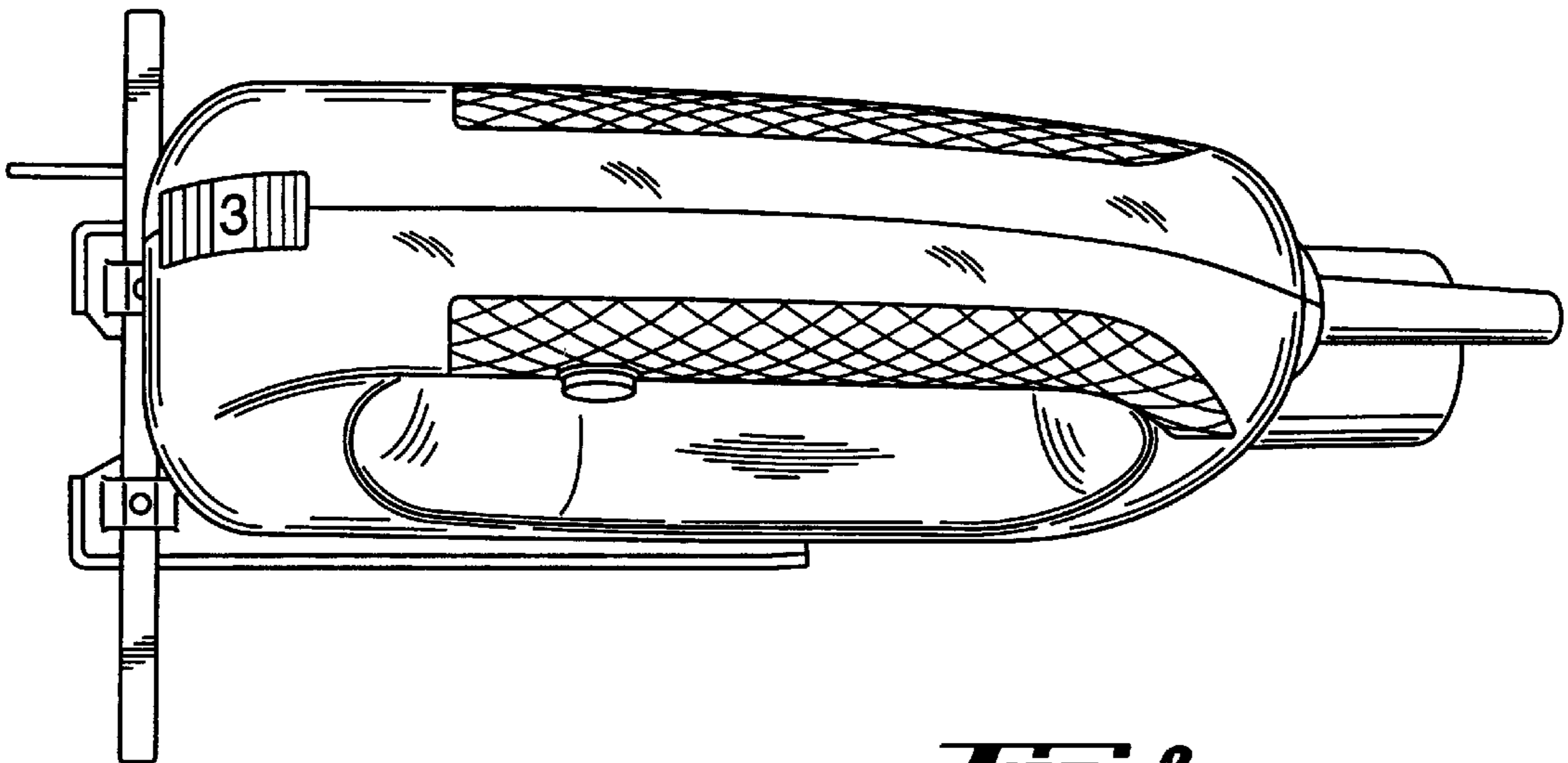


Fig. 2

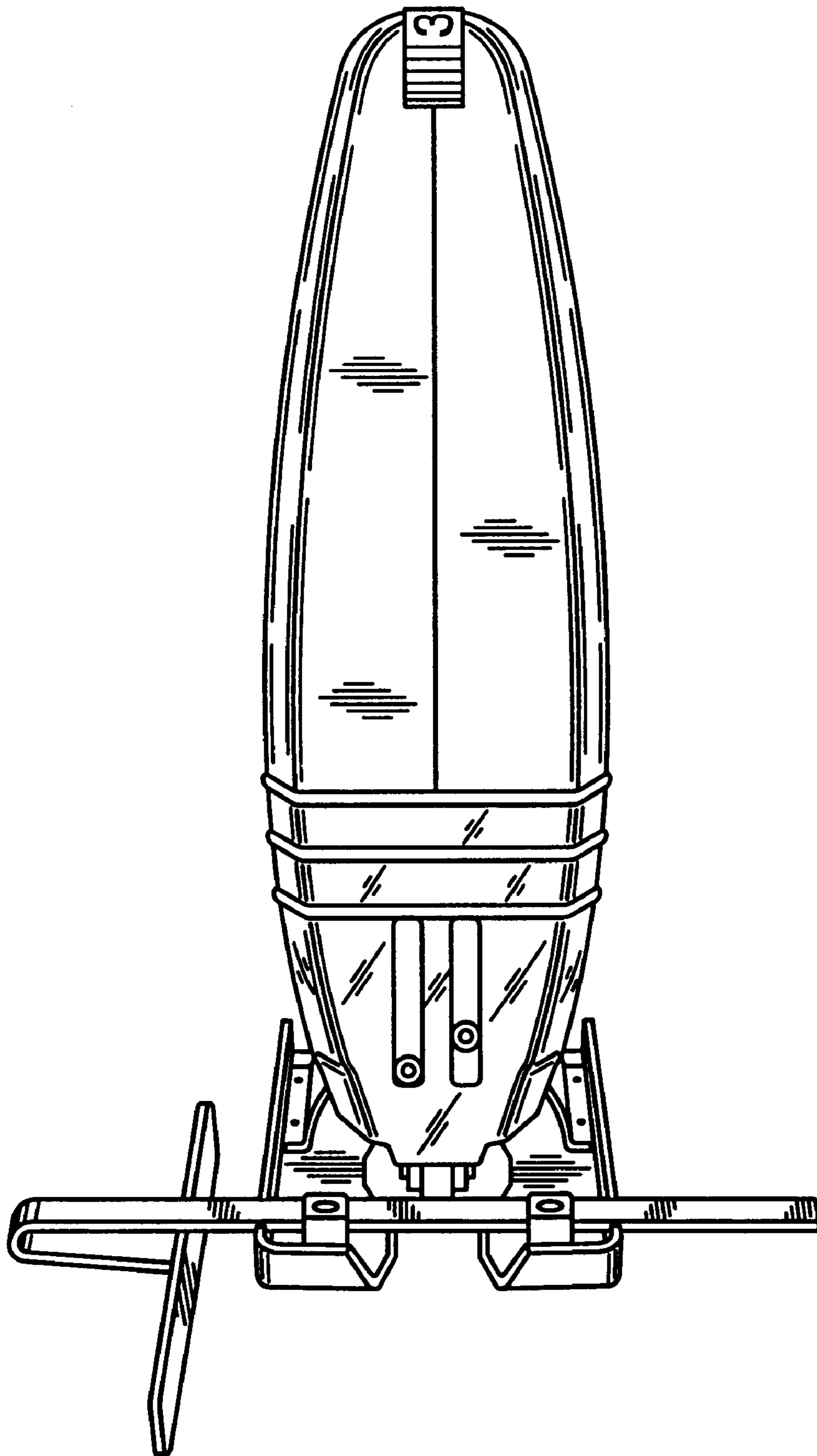


Fig. 3

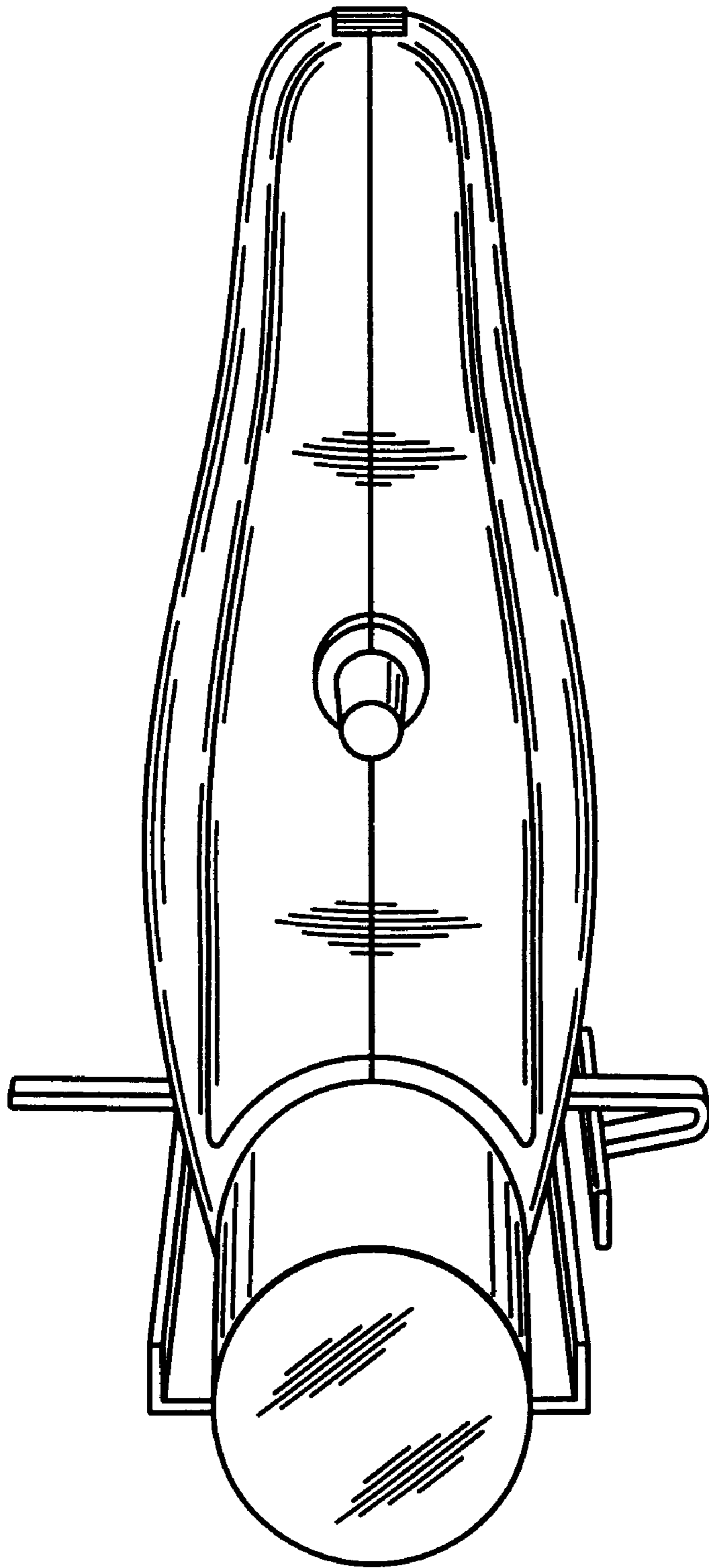


Fig. 4

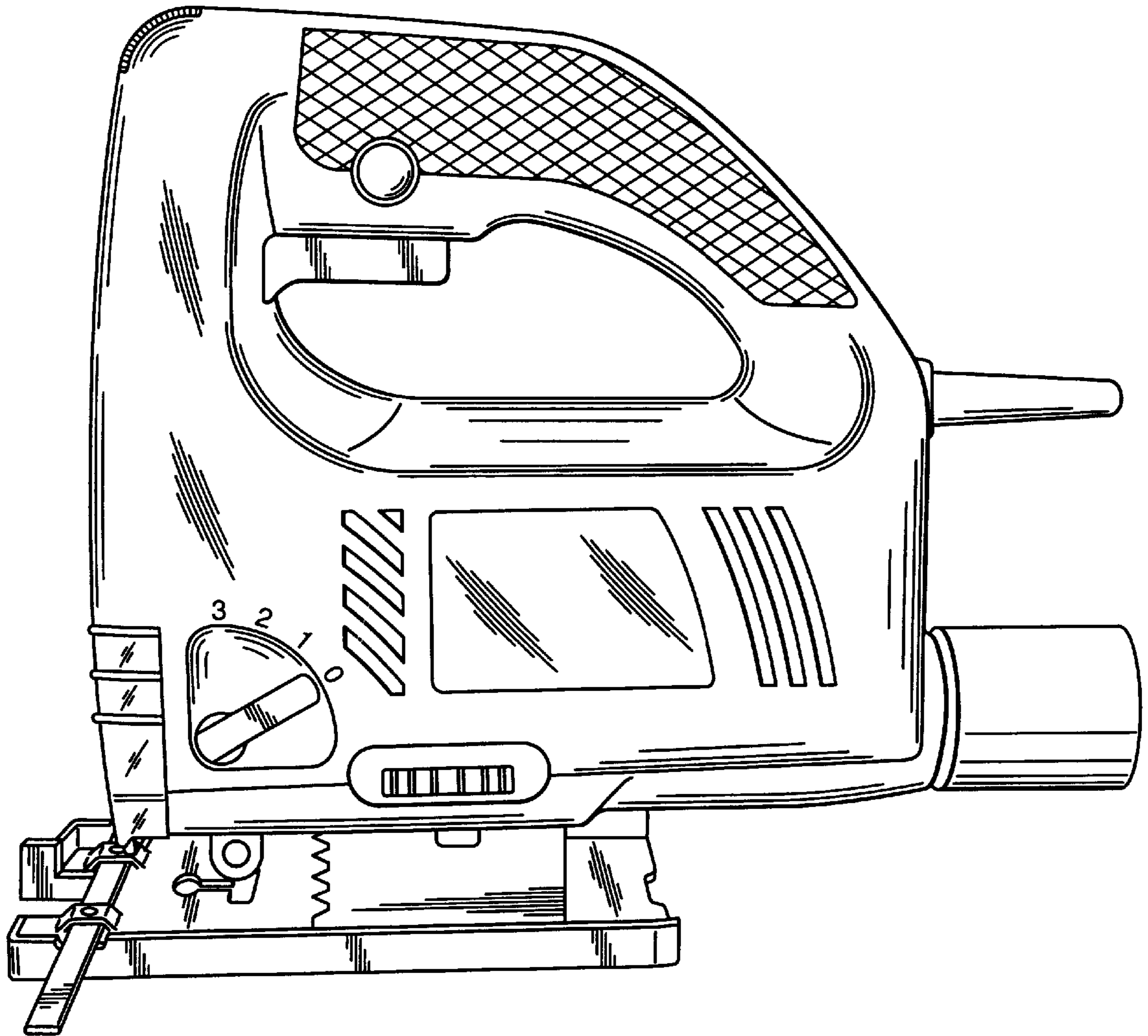


Fig. 5

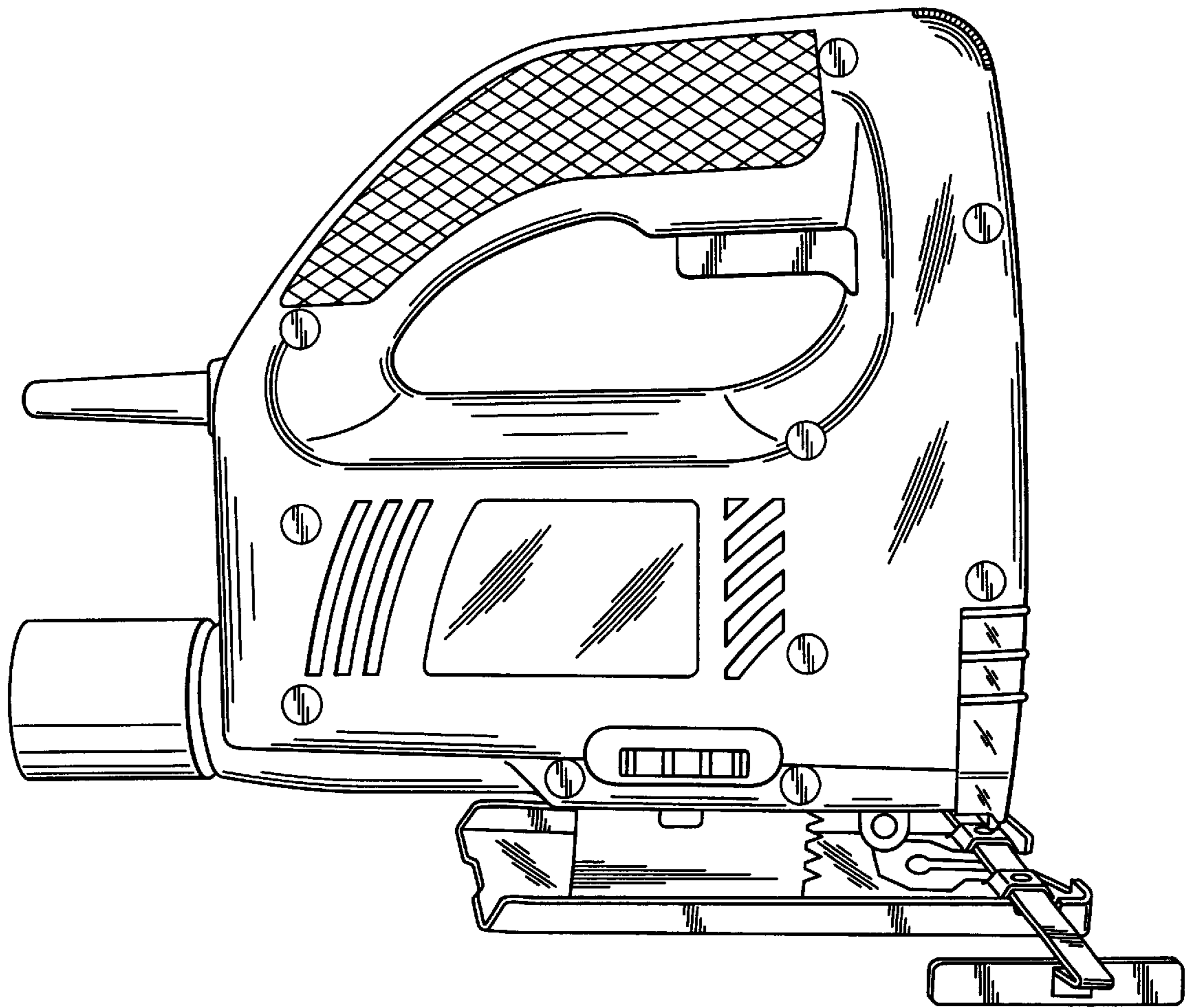


Fig. 6