



US00D451347B1

(12) **United States Design Patent**
Kleckauskas et al.

(10) **Patent No.:** **US D451,347 S**

(45) **Date of Patent:** **** Dec. 4, 2001**

(54) **TRAY**

(75) Inventors: **Robert Kleckauskas**, St. Charles;
Bruce Ronner, Glencoe; **John P. Coursey**, Chicago; **Rita Sifuentes**,
Melrose Park; **Robert Giacolo**,
Woodridge, all of IL (US); **Jeff Fish**,
Perrysburg, OH (US); **Boris Goldstein**,
Glenview, IL (US)

(73) Assignee: **Arrow Plastic Manufacturing Co.**, Elk
Grove, IL (US)

(**) Term: **14 Years**

(21) Appl. No.: **29/132,856**

(22) Filed: **Nov. 16, 2000**

(51) **LOC (7) Cl.** **07-01**

(52) **U.S. Cl.** **D7/550.1**

(58) **Field of Search** D7/550.1, 552.2,
D7/554.3, 554.4, 543, 545, 354, 360; 206/564,
511; 220/575, 556, 23.8

(56) **References Cited**

U.S. PATENT DOCUMENTS

D. 434,606 * 12/2000 Reamers et al. D7/550.1

D. 436,495 * 1/2001 Ferrer D7/550.1

* cited by examiner

Primary Examiner—Antoine Duval Davis

(74) *Attorney, Agent, or Firm*—Rockey, Milnamow &
Katz, Ltd.

(57) **CLAIM**

The ornamental design for a tray, as shown and described.

DESCRIPTION

FIG. 1 is a perspective view showing our new design;
FIG. 2 is a right side elevational view, the left side eleva-
tional view being a substantial mirror image thereof;
FIG. 3 is a end elevational view thereof, the opposite end
elevational view being a substantial mirror image thereof;
FIG. 4 is a top plan view thereof; and,
FIG. 5 is a bottom plan view thereof.

1 Claim, 2 Drawing Sheets

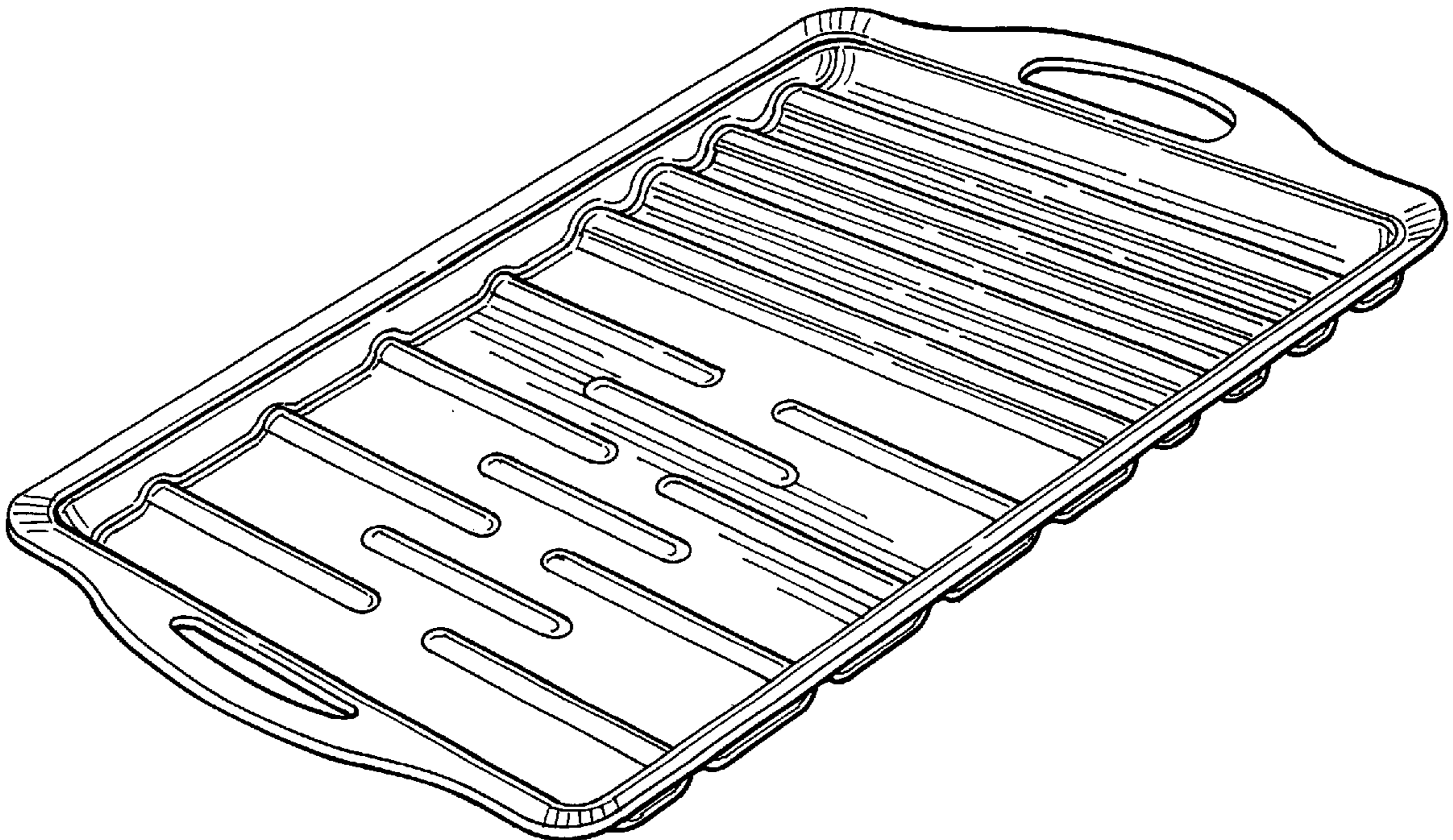


FIG.1

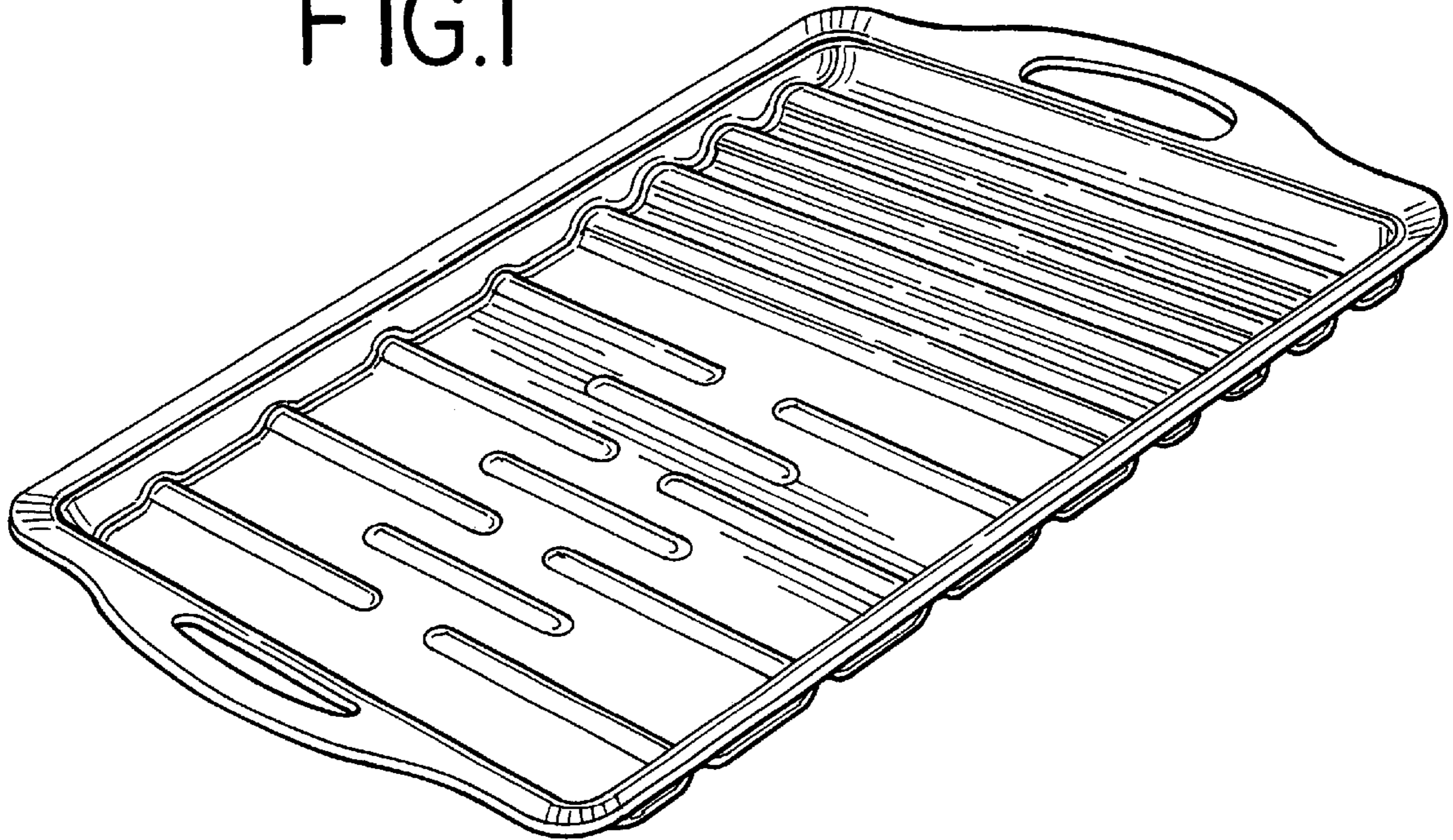


FIG.2



FIG.3

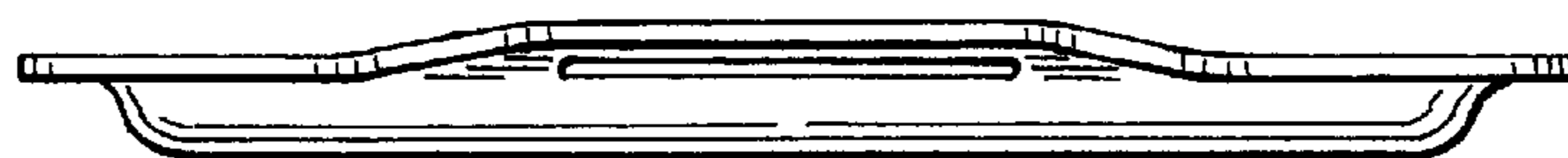


FIG.5

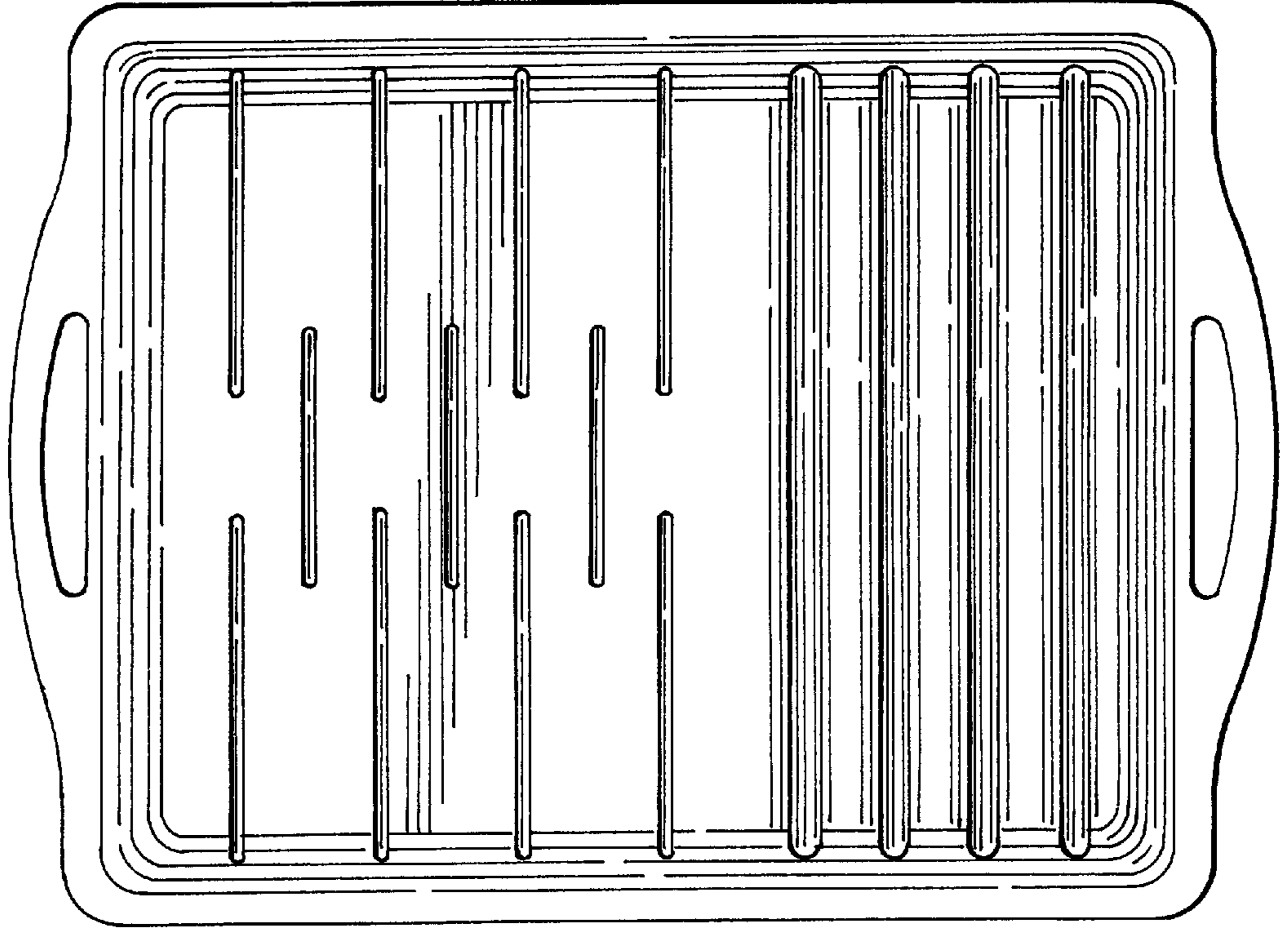


FIG.4

