



US00D451340B1

(12) **United States Design Patent**
Ide et al.

(10) **Patent No.:** **US D451,340 S**

(45) **Date of Patent:** **** Dec. 4, 2001**

(54) **KETTLE'S HANDLE**

(75) Inventors: **Takatoshi Ide**, Tokyo (JP); **Mario Bellini; Claudio Bellini**, both of Milan (IT)

(73) Assignee: **Cherry Terrace Inc.**, Tokyo (JP)

(**) Term: **14 Years**

(21) Appl. No.: **29/131,552**

(22) Filed: **Oct. 25, 2000**

(30) **Foreign Application Priority Data**

Apr. 28, 2000 (JP) 12-011593

(51) **LOC (7) Cl.** **07-01**

(52) **U.S. Cl.** **D7/393**

(58) **Field of Search** D7/393, 312-322; 16/110.1, 436; 222/475, 475.1, 541.2, 465.1

(56) **References Cited**

U.S. PATENT DOCUMENTS

D. 302,511 * 8/1989 Porcelli D7/318 X
3,591,060 * 7/1971 Nakamura et al. 222/475

FOREIGN PATENT DOCUMENTS

190168 10/2000 (CN) .
4 00 10 092.4 10/2000 (DE) .
MR 2001
00233 2/2001 (DK) .
MR 2001
00234 2/2001 (DK) .
2096854 1/2001 (GB) .
2096855 1/2001 (GB) .

OTHER PUBLICATIONS

Denmark Publication for Opposition of Denmark Design Application No. MA 2000 01148. Feb. 28, 2001.

Denmark Publication for Opposition of Denmark Design Application No. MA 2000 01149. Feb. 28, 2001.

German Publication for Design Registration No. 4 00 10 092.4, Oct. 24, 2000.

First Office Action issued by the Indian Patent Office against Indian Design Application No. 183727 and 183728. Dec. 18, 2000.

First Office Action issued by the Indian Patent Office against Indian Design Application No. 183727 and 183728.

Reply to first Office Action issued by the Indian Patent Office against Indian Design Application No. 183727 and 183728 dated Feb. 13, 2001.

* cited by examiner

Primary Examiner—Terry A. Wallace

(74) *Attorney, Agent, or Firm*—Smith, Gambrell & Russell, LLP

(57) **CLAIM**

The ornamental design for a kettle's handle, as show and described.

DESCRIPTION

FIG. 1 is a perspective view of a kettle's handle design showing our new design;

FIG. 2 is a left side elevation view thereof;

FIG. 3 is a front elevation view thereof;

FIG. 4 is a rear elevation view thereof;

FIG. 5 is a top view thereof;

FIG. 6 is a bottom view thereof; and,

FIG. 7 is a right side elevation view thereof.

1 Claim, 2 Drawing Sheets

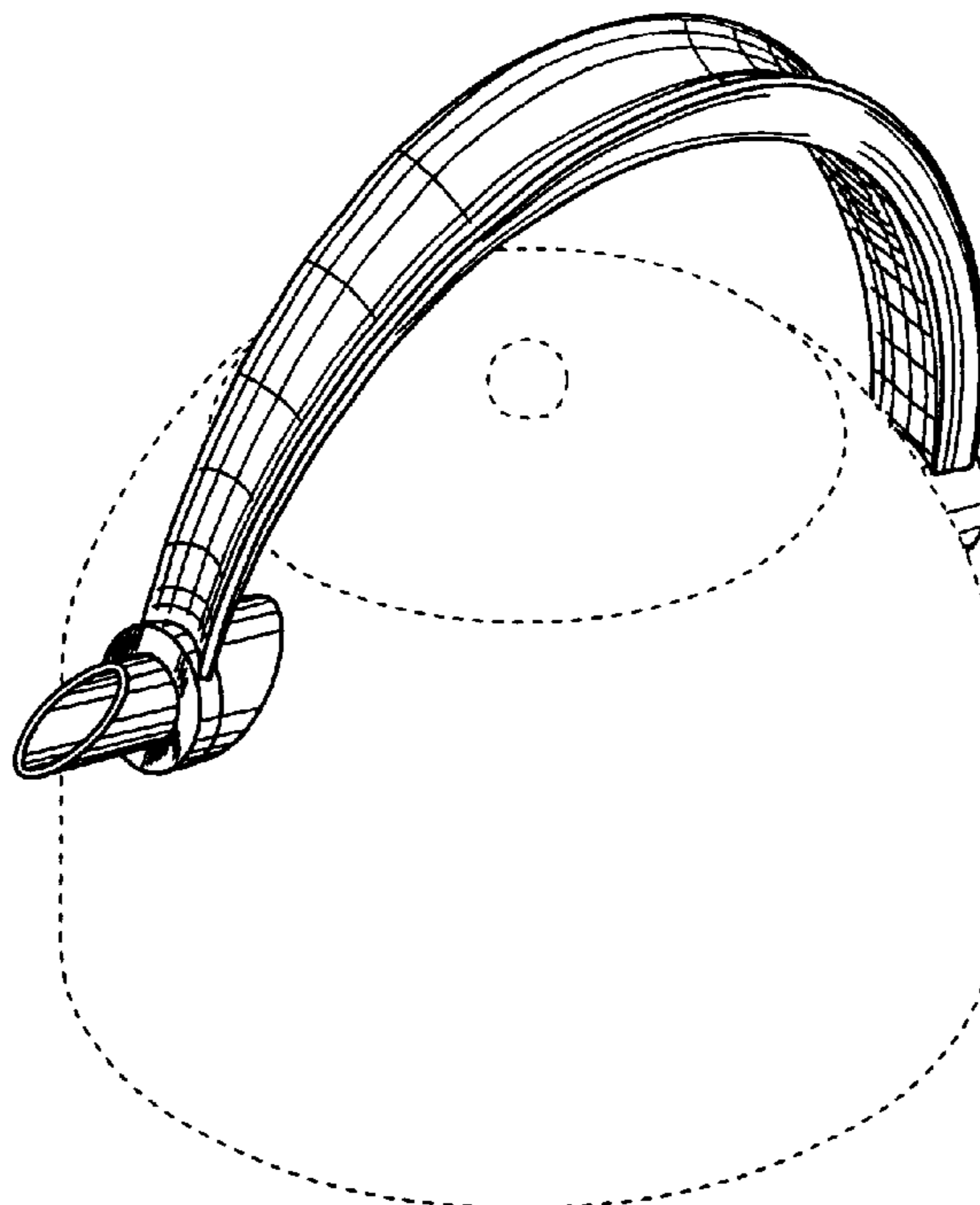


FIG.1

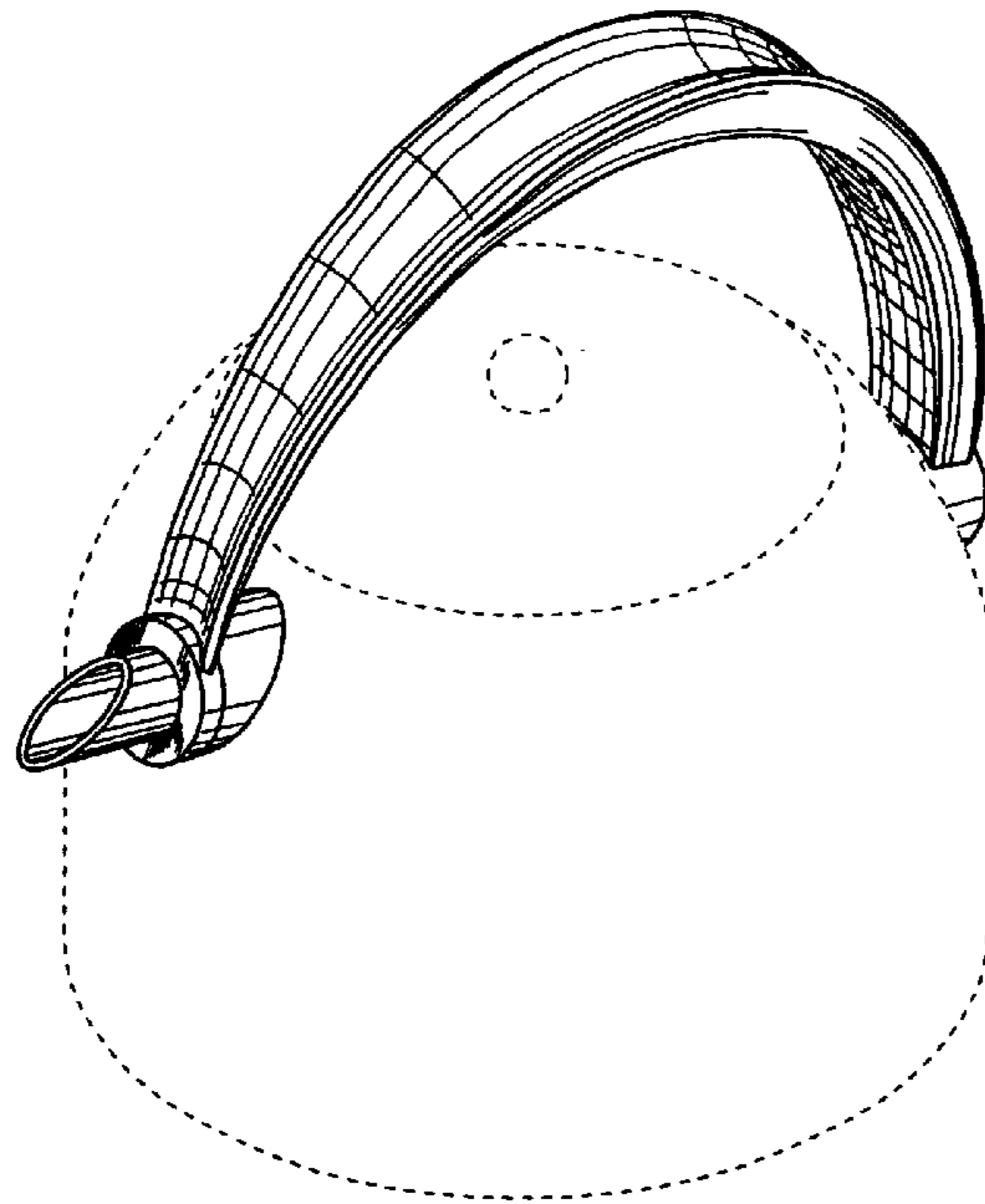


FIG.4

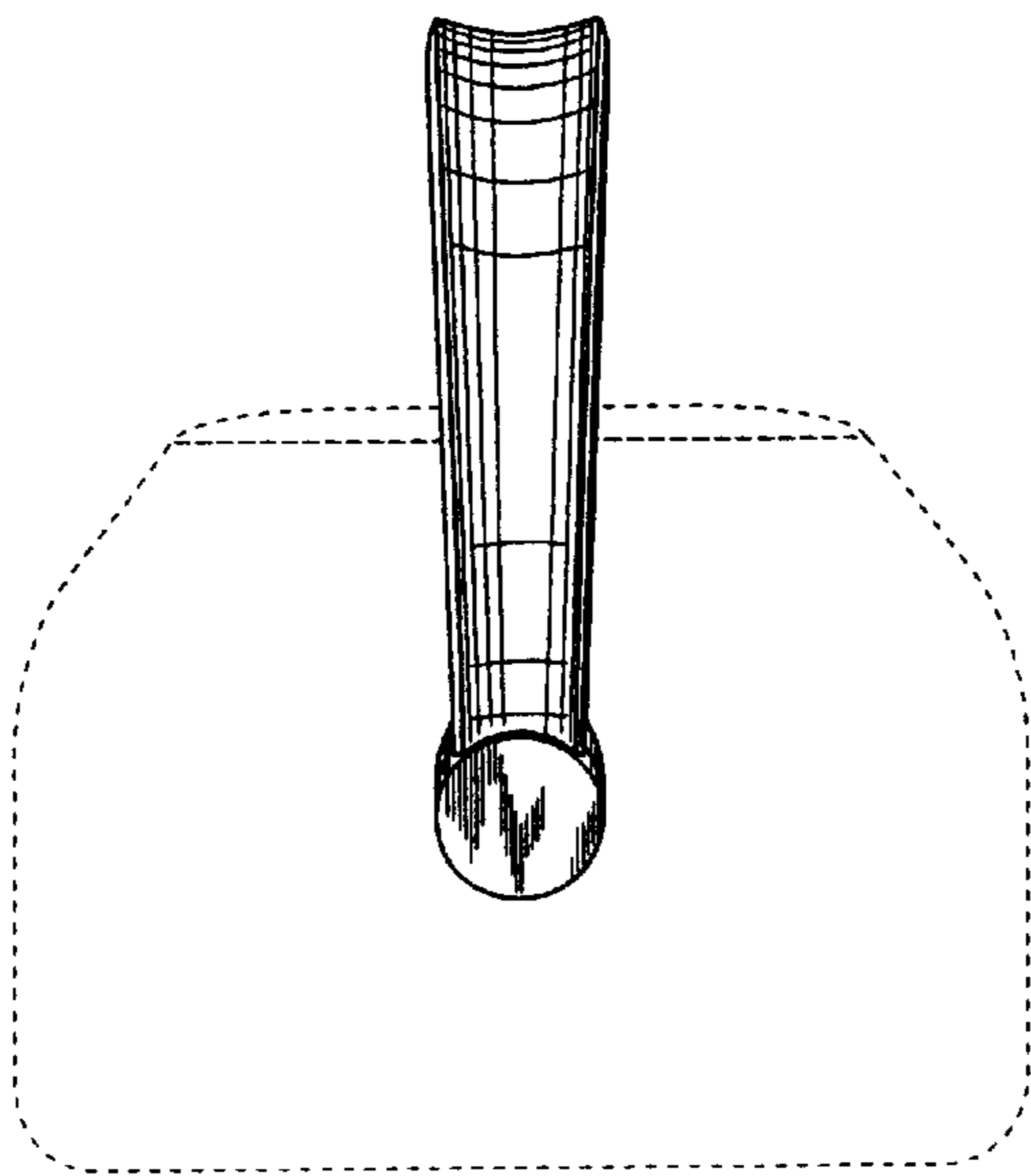


FIG.7

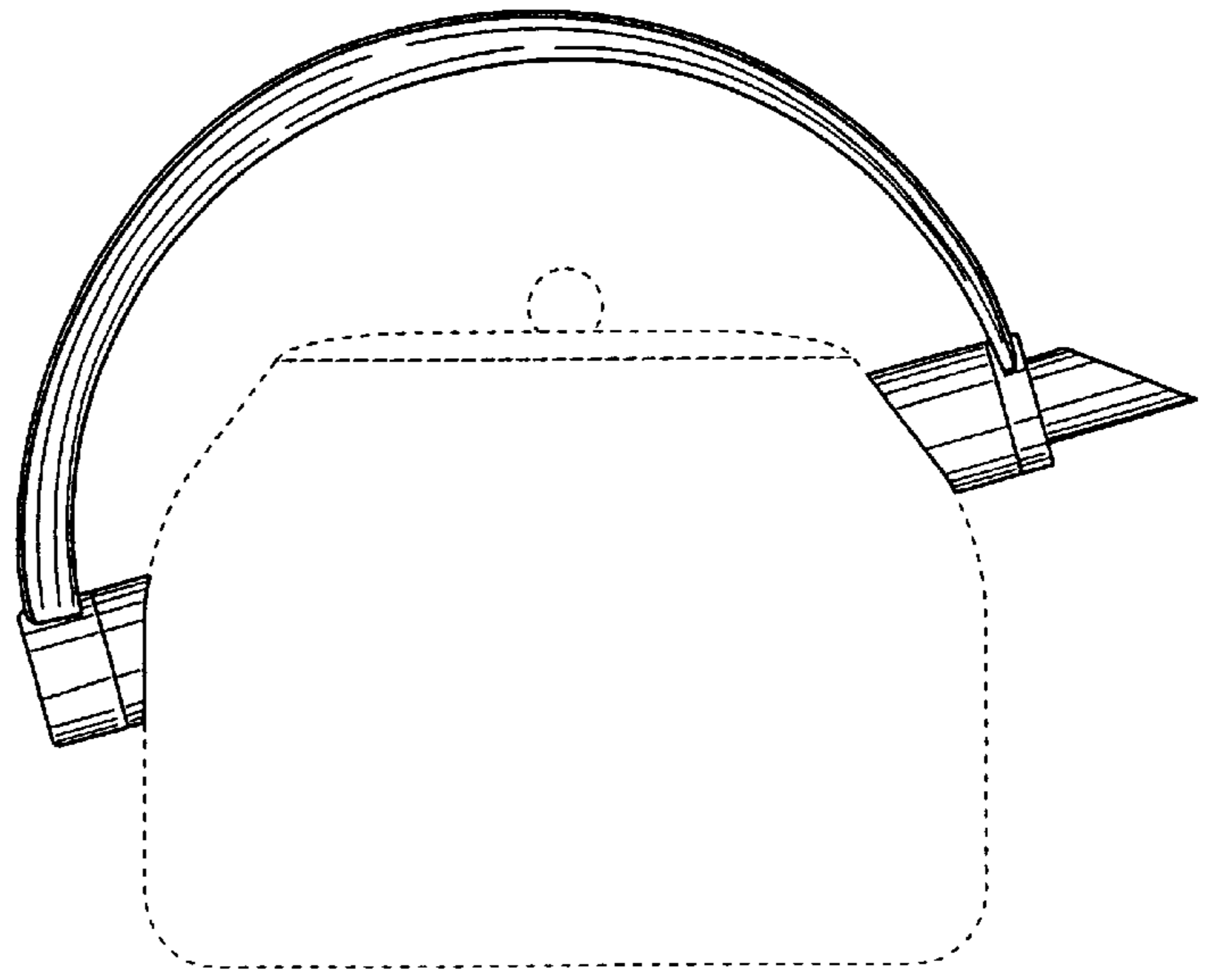


FIG.5

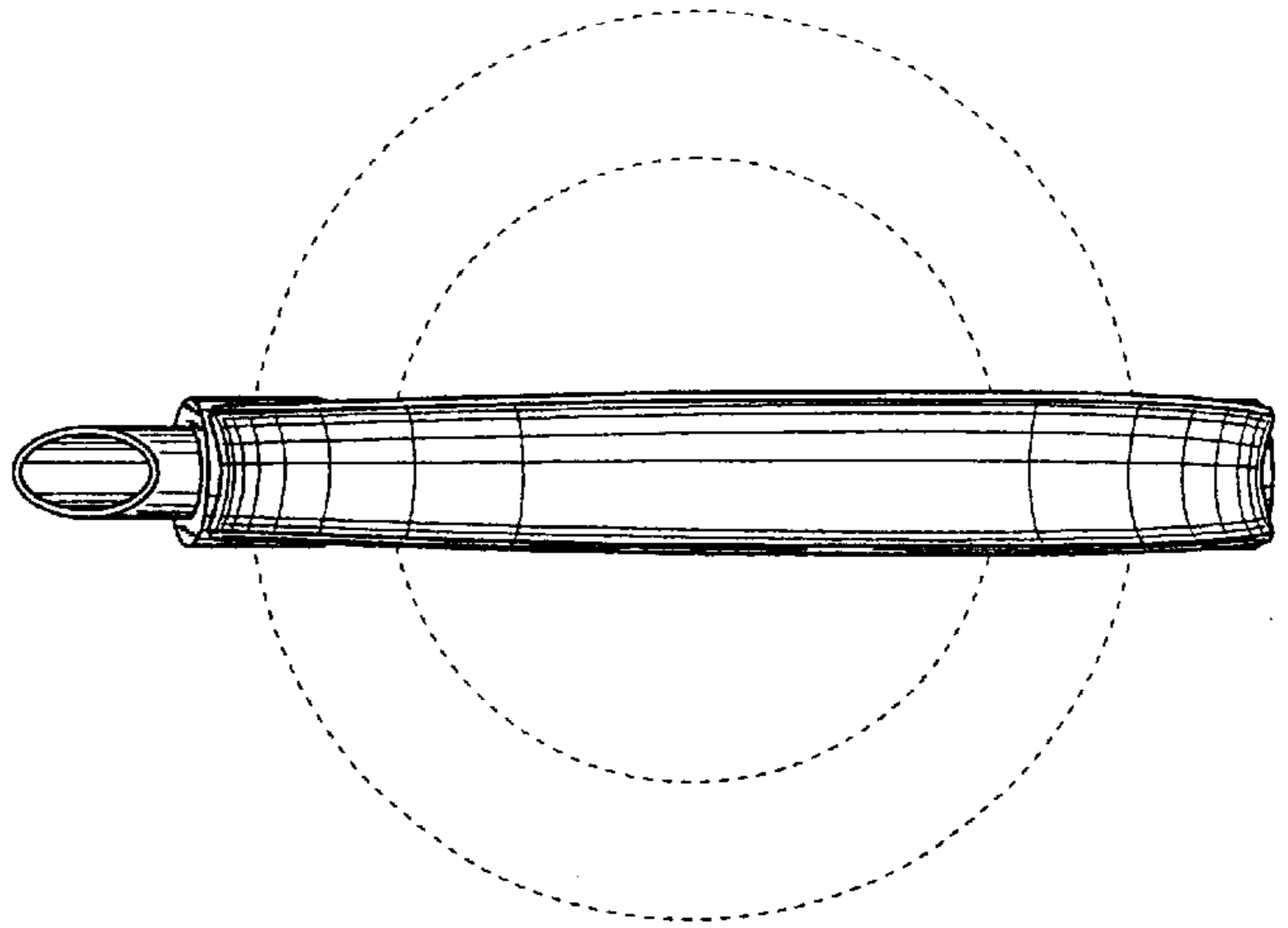


FIG.3

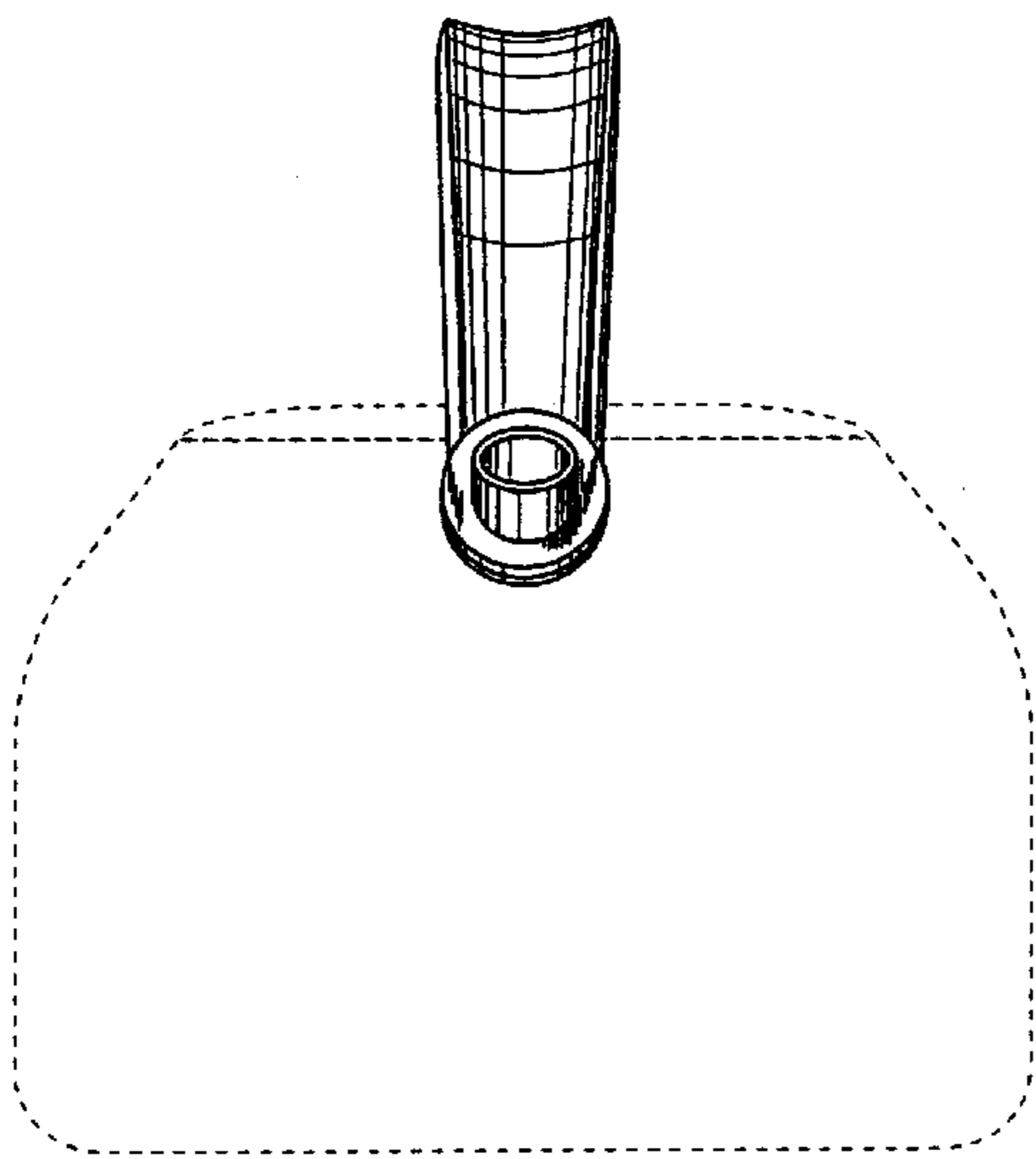


FIG.2

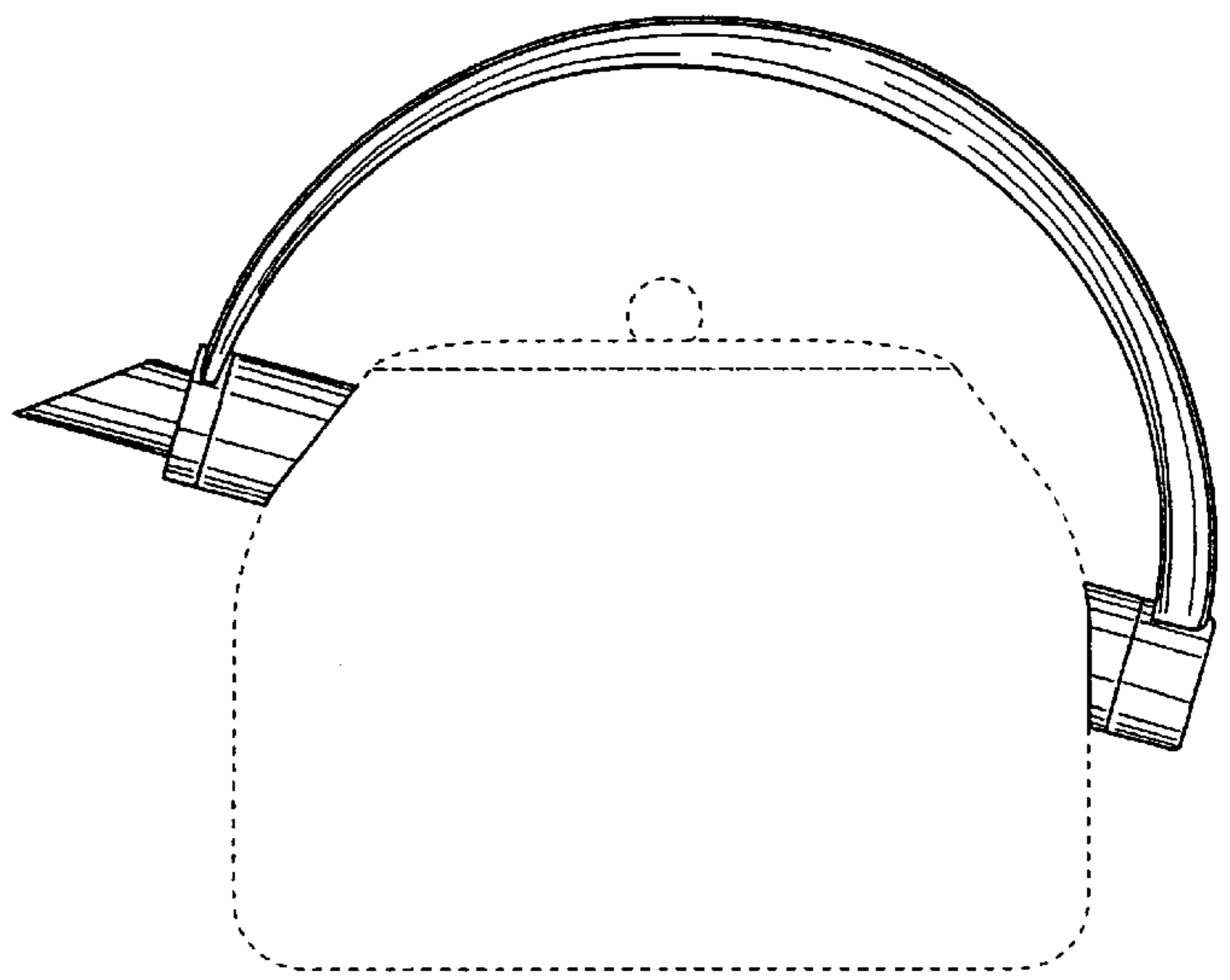


FIG.6

