



US00D451339B1

(12) **United States Design Patent**
Munari

(10) **Patent No.:** **US D451,339 S**

(45) **Date of Patent:** **** Dec. 4, 2001**

(54) **HANDLE KNOB FOR A LID OF A COOKING VESSEL**

5,584,414 * 12/1996 Neubeck 16/431 X

* cited by examiner

(75) Inventor: **Marco Munari**, Cardano al Campo (IT)

Primary Examiner—Terry A. Wallace

(73) Assignee: **La Termoplastica F.B.M. S.r.l.** (IT)

(74) *Attorney, Agent, or Firm*—Ladas & Parry

(**) Term: **14 Years**

(57) **CLAIM**

(21) Appl. No.: **29/126,894**

The ornamental design for a handle knob for a lid of a cooking vessel, substantially as shown and described in the accompanying drawings.

(22) Filed: **Jul. 24, 2000**

(30) **Foreign Application Priority Data**

DESCRIPTION

Jan. 24, 2000 (XH) DM/050 961

FIG. 1 is a top/side perspective view of my new design relating to a handle knob for a lid of a cooking vessel;

(51) **LOC (7) Cl.** **07-02**

FIG. 2 is a bottom/side perspective view of my new design;

(52) **U.S. Cl.** **D7/393**

FIG. 3 is a side elevation view of my new design, any side being identical;

(58) **Field of Search** D7/393, 395, 354-361;
D8/107, 300, 307, 321; 16/110.1, 433,
441, 431

FIG. 4 is a top plan view of my new design;

FIG. 5 is a bottom plan view of my new design; and,

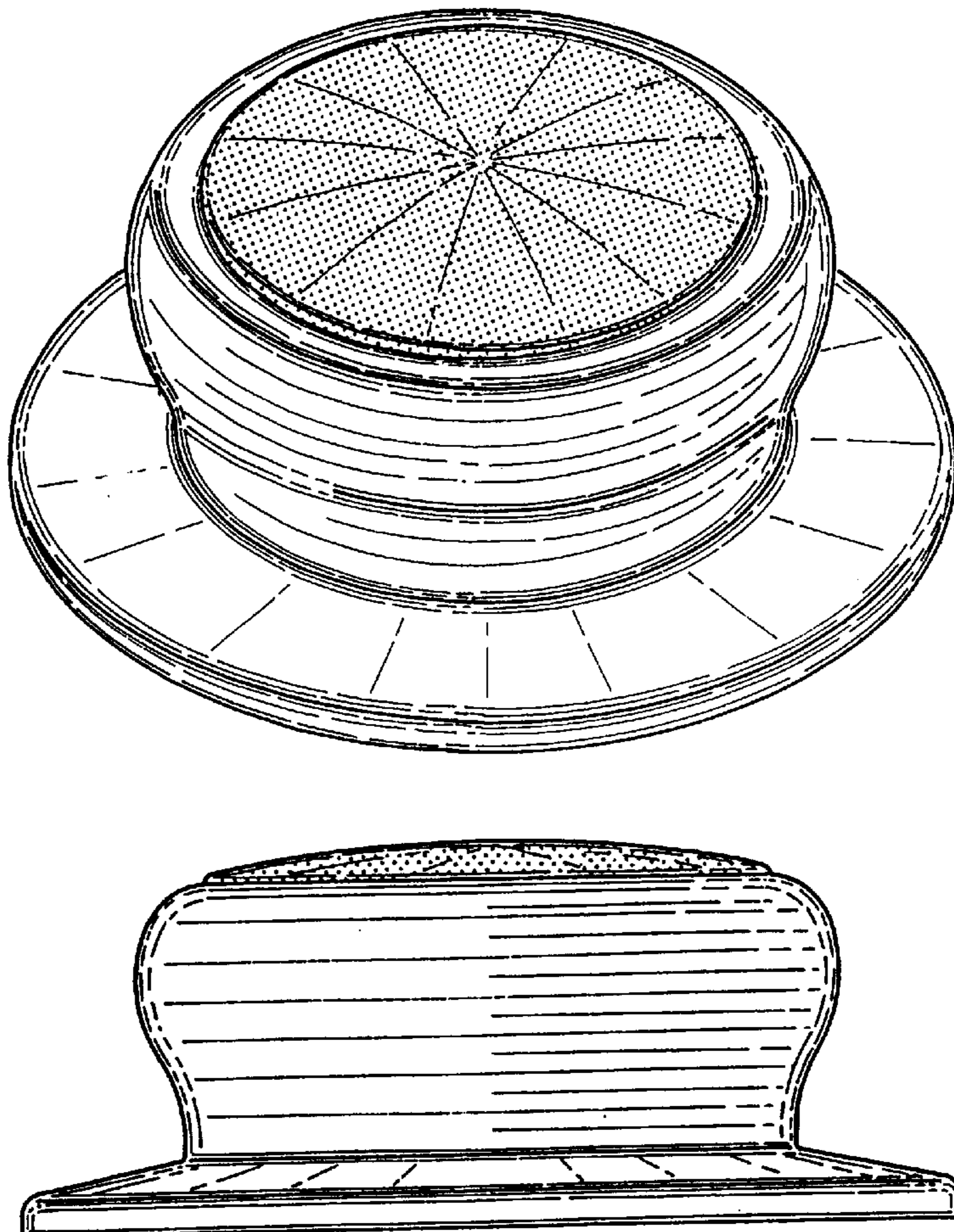
(56) **References Cited**

FIG. 6 is a top/side perspective exploded view of my new design.

U.S. PATENT DOCUMENTS

D. 284,444 * 7/1986 Baumgarten D7/393

1 Claim, 3 Drawing Sheets



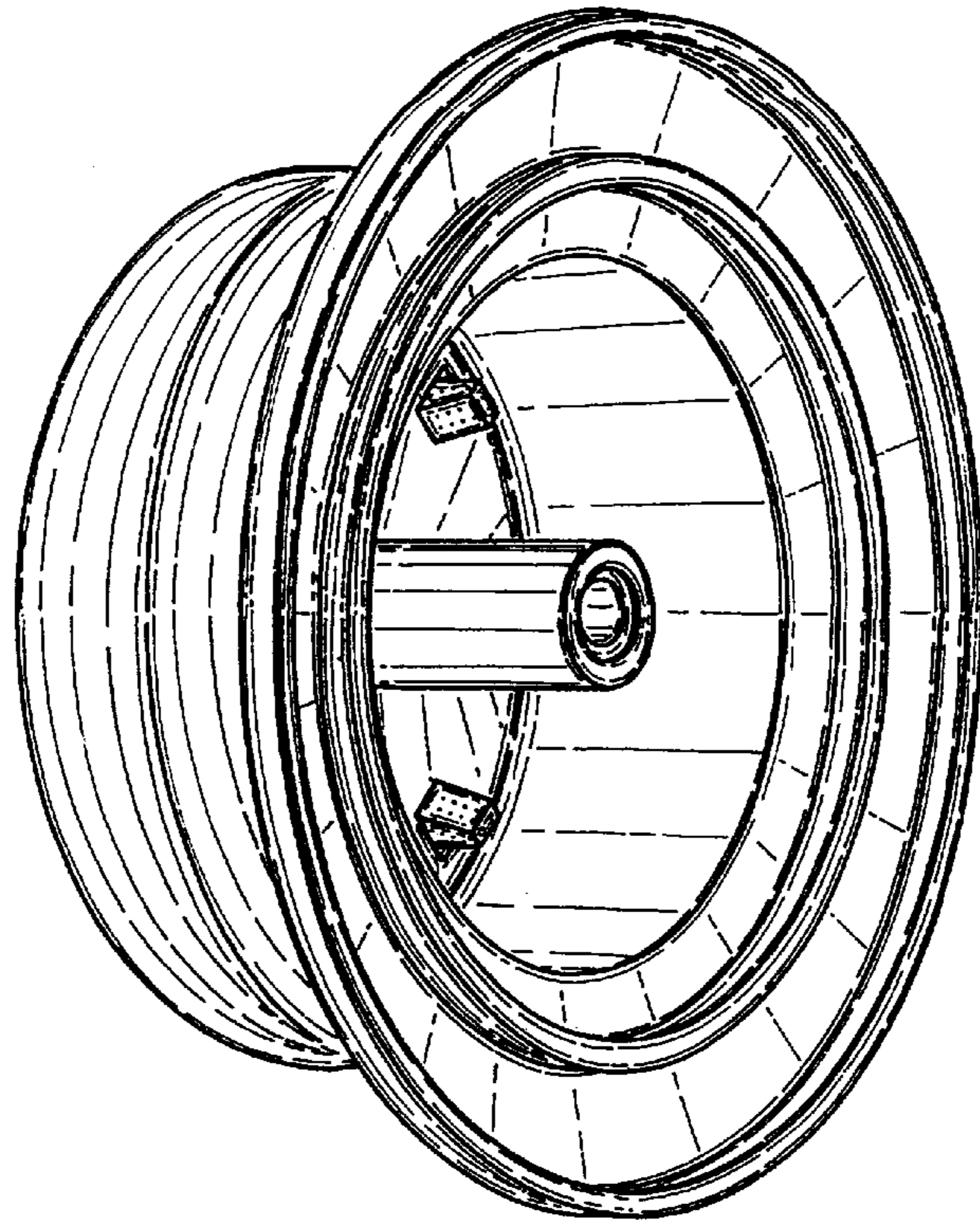


FIG. 2

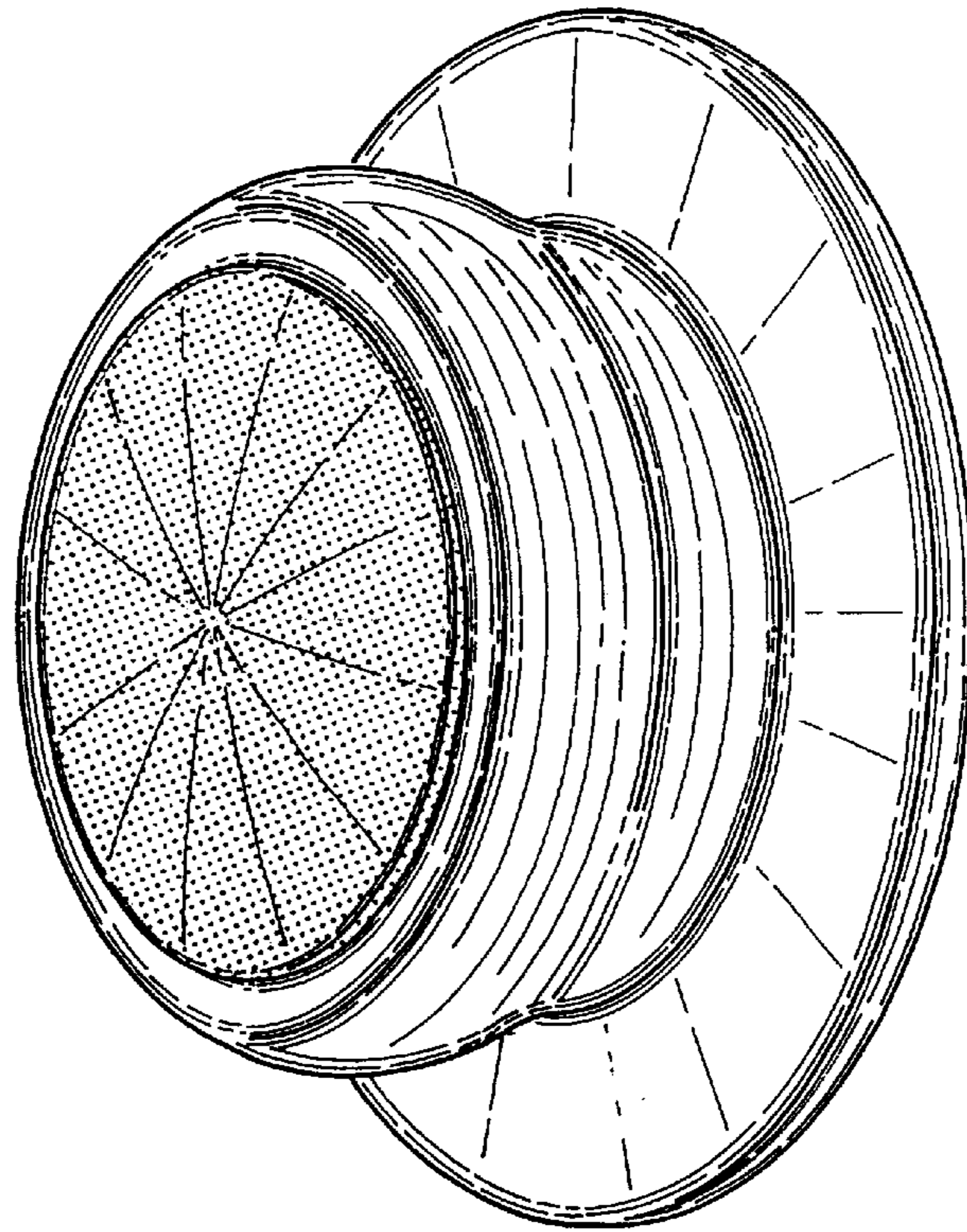


FIG. 1

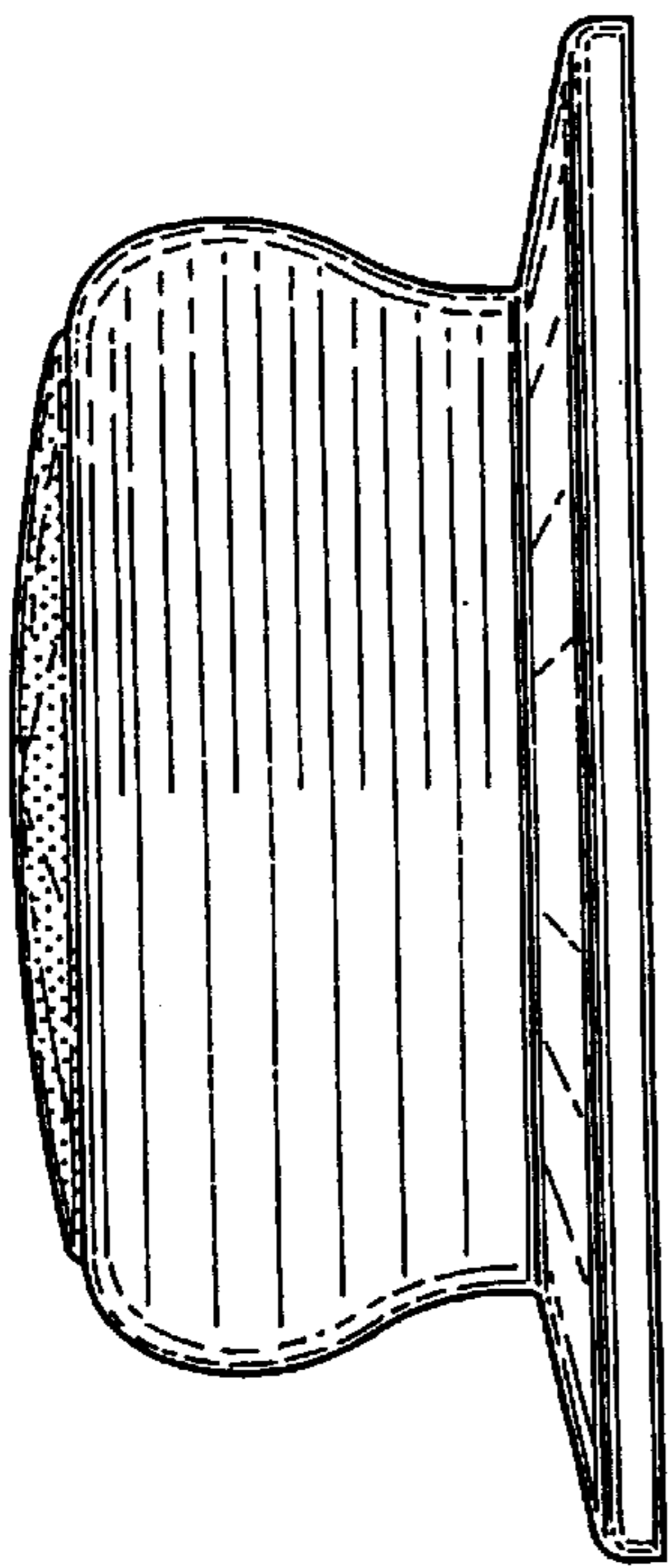


FIG. 3

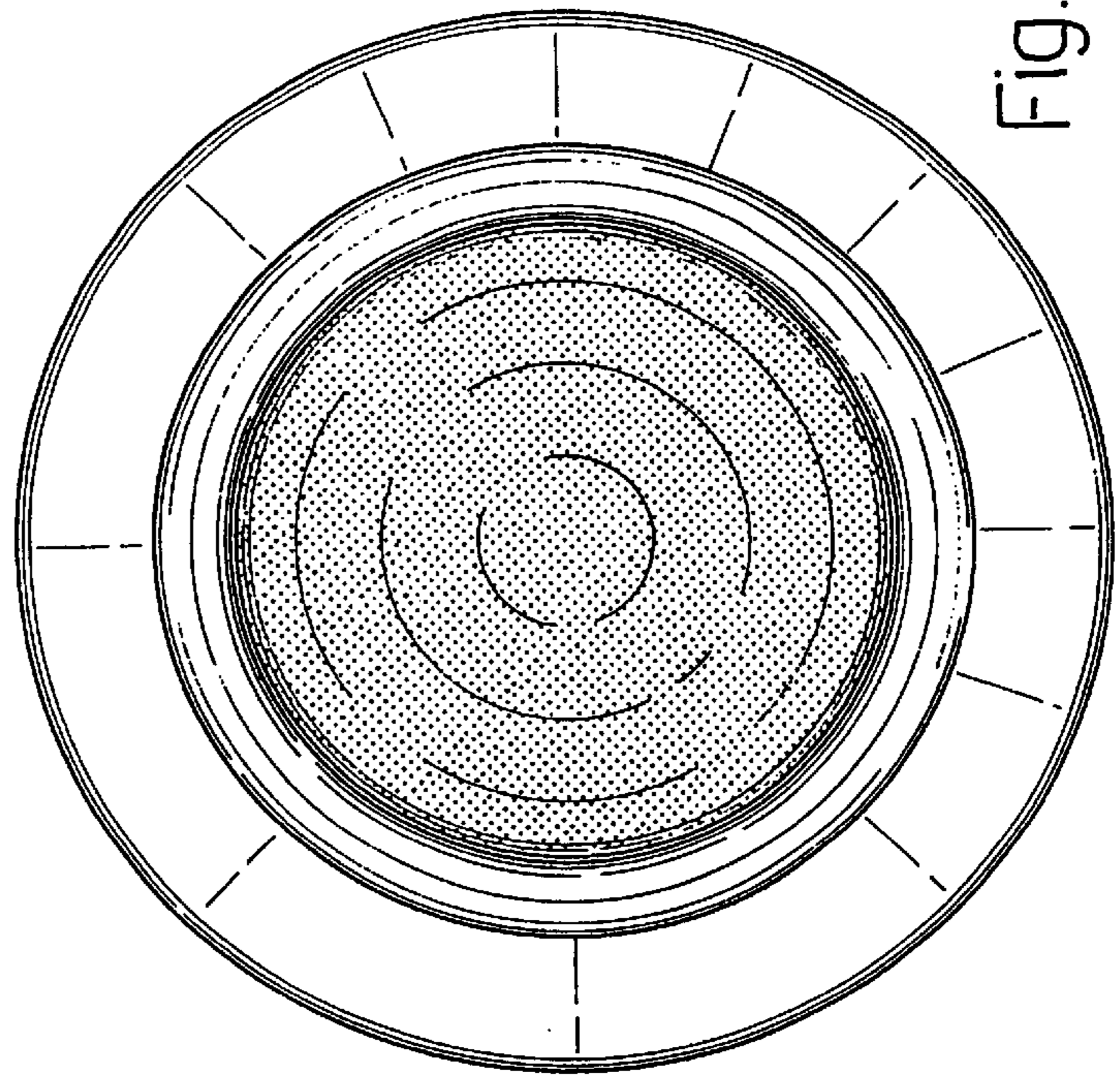


FIG. 4

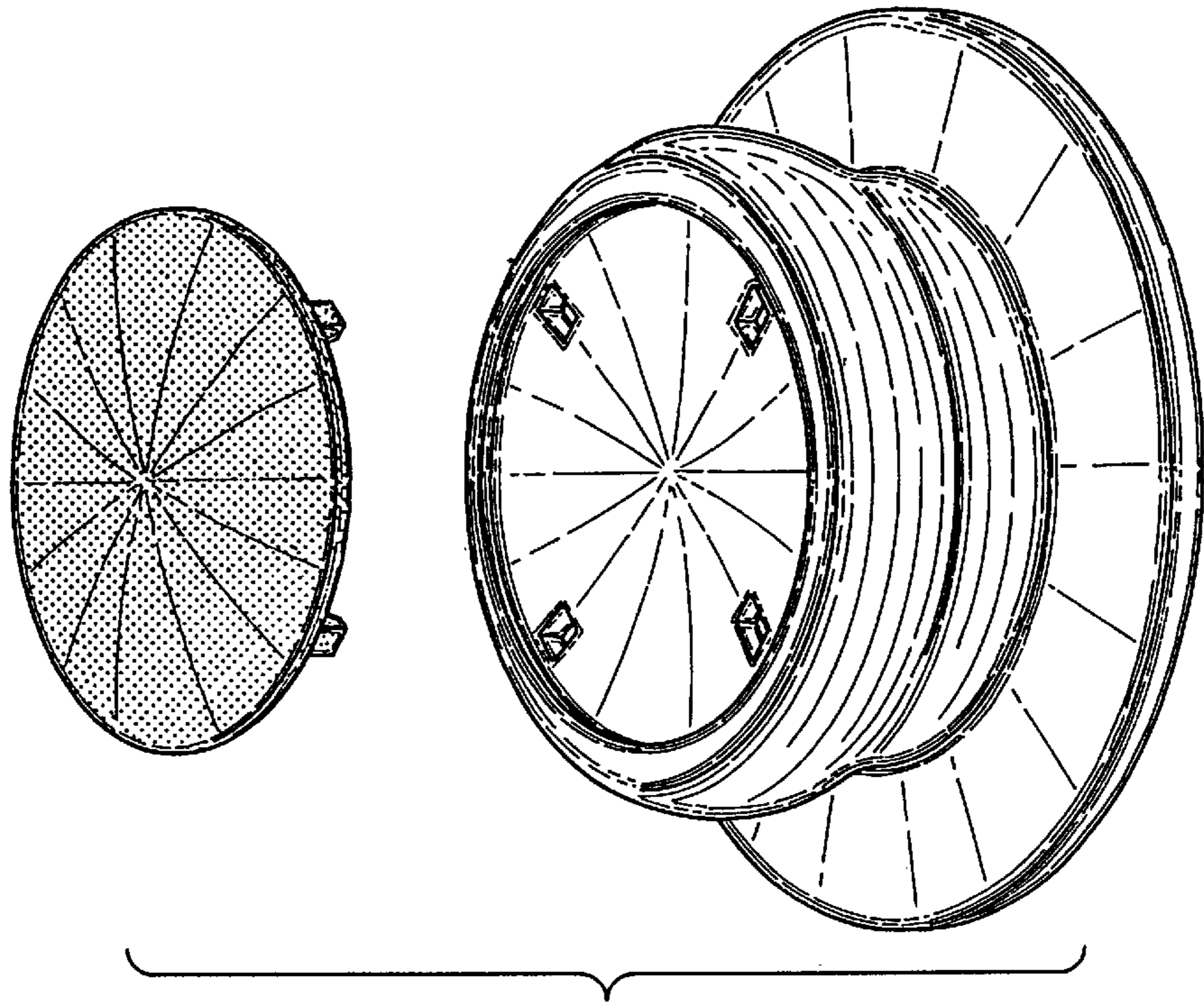


FIG. 6

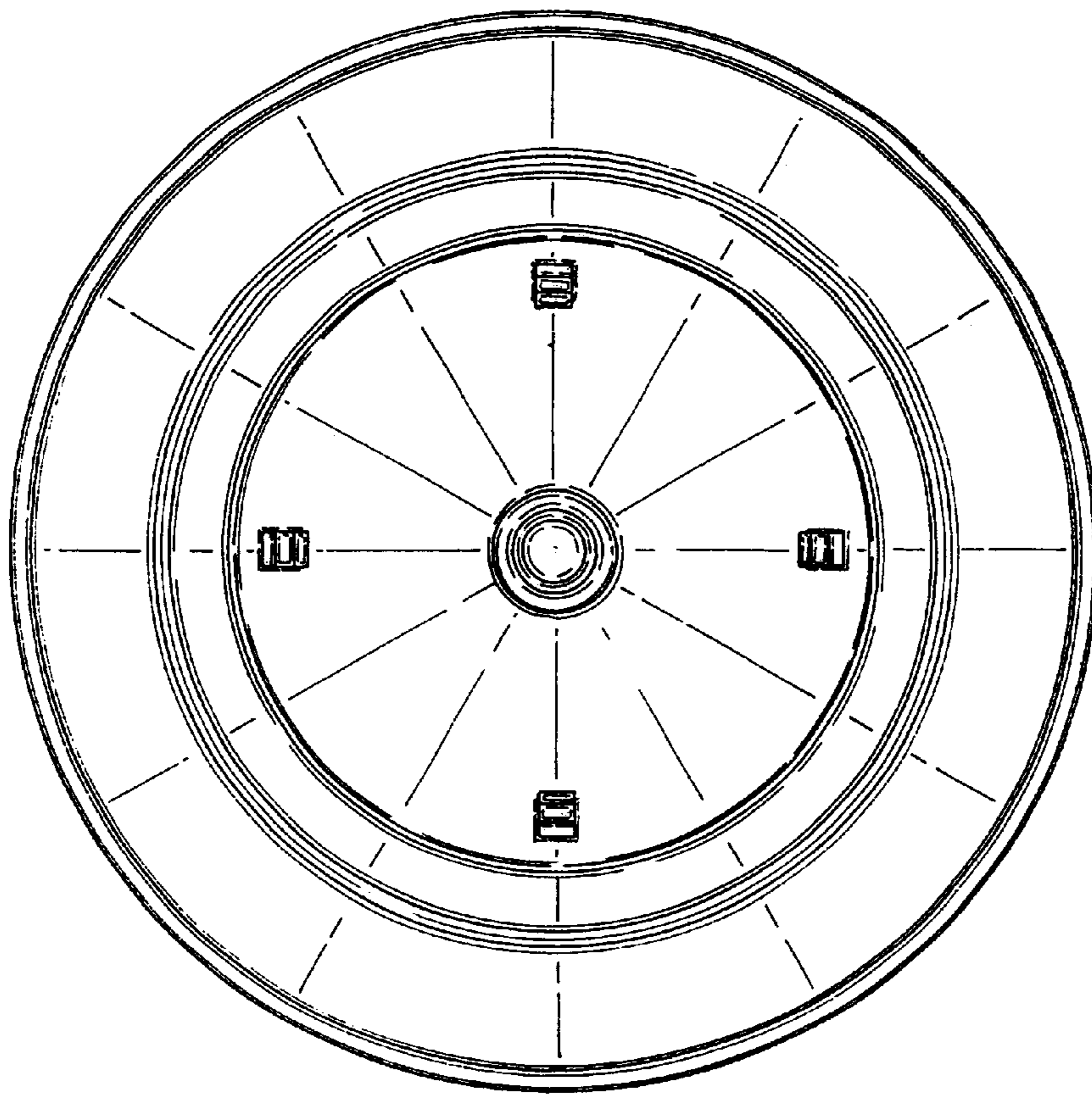


FIG. 5