



US00D451338B1

(12) **United States Design Patent**
Fradkin

(10) **Patent No.:** **US D451,338 S**

(45) **Date of Patent:** **** Dec. 4, 2001**

(54) **COVER FOR CYLINDRICAL FOOD PRODUCT**

(75) Inventor: **Steven G. Fradkin**, Northbrook, IL (US)

(73) Assignee: **AJS Industries, Inc.**, Northbrook, IL (US)

(**) Term: **14 Years**

(21) Appl. No.: **29/134,786**

(22) Filed: **Dec. 29, 2000**

Related U.S. Application Data

(63) Continuation-in-part of application No. 29/124,534, filed on Jun. 7, 2000, now abandoned, which is a continuation-in-part of application No. 29/115,176, filed on Dec. 9, 1999, now Pat. No. Des. 433,597.

(51) **LOC (7) Cl.** **07-01**

(52) **U.S. Cl.** **D7/392.1**

(58) **Field of Search** D7/391, 392.1, D7/425-441, 510, 511, 316, 317, 321, 322, 703, 629, 396.2, 397, 398; D9/523-525, 529, 434-454, 215, 228, 229, 305; 220/212.5, 318, 578, 580

(56) **References Cited**

U.S. PATENT DOCUMENTS

- D. 367,818 * 3/1996 Zans D9/434
- D. 406,237 * 3/1999 Bettiga D9/434
- D. 416,436 * 11/1999 Miller D7/391
- D. 433,597 11/2000 Fradkin .

OTHER PUBLICATIONS

Copy of U.S. application No. 29/124,534 (parent application), Fradkin, filed Jun. 7, 2000.

Copy of U.S. application No. 19/115,176 (parent application), Fradkin, filed Dec. 9, 1999.

* cited by examiner

Primary Examiner—Antoine Duval Davis

(74) *Attorney, Agent, or Firm*—Rockey, Milnamow & Katz, Ltd.

(57) **CLAIM**

The ornamental design for a cover for cylindrical food product, substantially as shown and described.

DESCRIPTION

FIG. 1 is a perspective view of a cover in accordance with the present invention;

FIG. 2 is a top plan view of the cover of FIG. 1;

FIG. 3 is an elevational view of one side of the cover of FIG. 1;

FIG. 4 is an elevational view of the opposite side of the cover of FIG. 1;

FIG. 5 is a bottom plan view of the cover of FIG. 1;

FIG. 6 is a perspective view of the cover of FIG. 1 from a different orientation than in FIG. 1;

FIG. 7 is a perspective view of an alternate embodiment of the cover of FIG. 1;

FIG. 8 is a top plan view of the cover of FIG. 7;

FIG. 9 is an elevational view of one side of the cover of FIG. 7;

FIG. 10 is an elevational view of the opposite side of the cover of FIG. 7;

FIG. 11 is a bottom plan view of the cover of FIG. 7; and, FIG. 12 is a perspective view of the cover of FIG. 7 from a different orientation than in FIG. 7.

Alternate side elevational views of the cover of FIG. 1 are identical to that of FIG. 4. Alternate side elevational views of the cover of FIG. 7 are identical to that of FIG. 10.

1 Claim, 4 Drawing Sheets

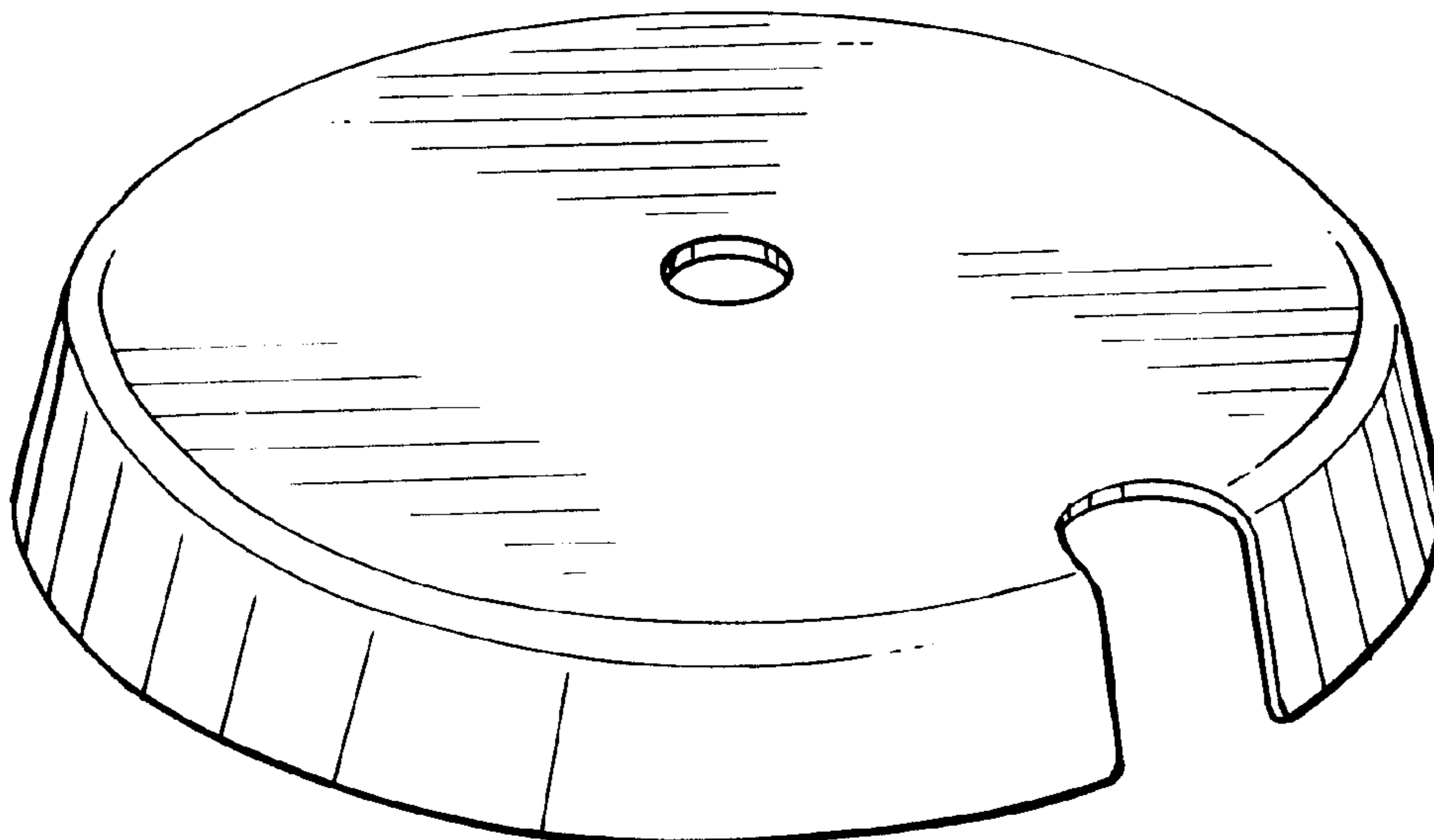


FIG. 1

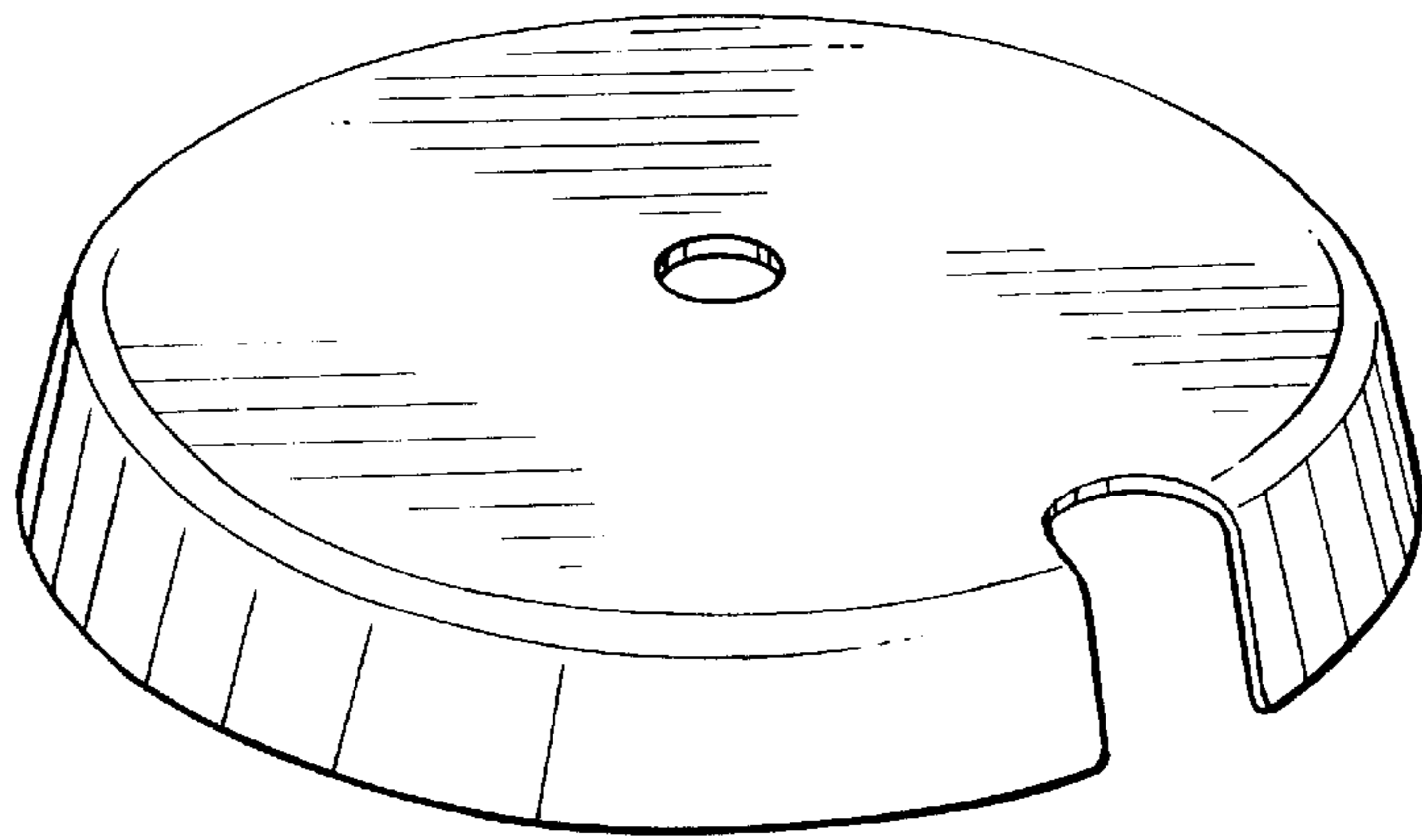


FIG. 2

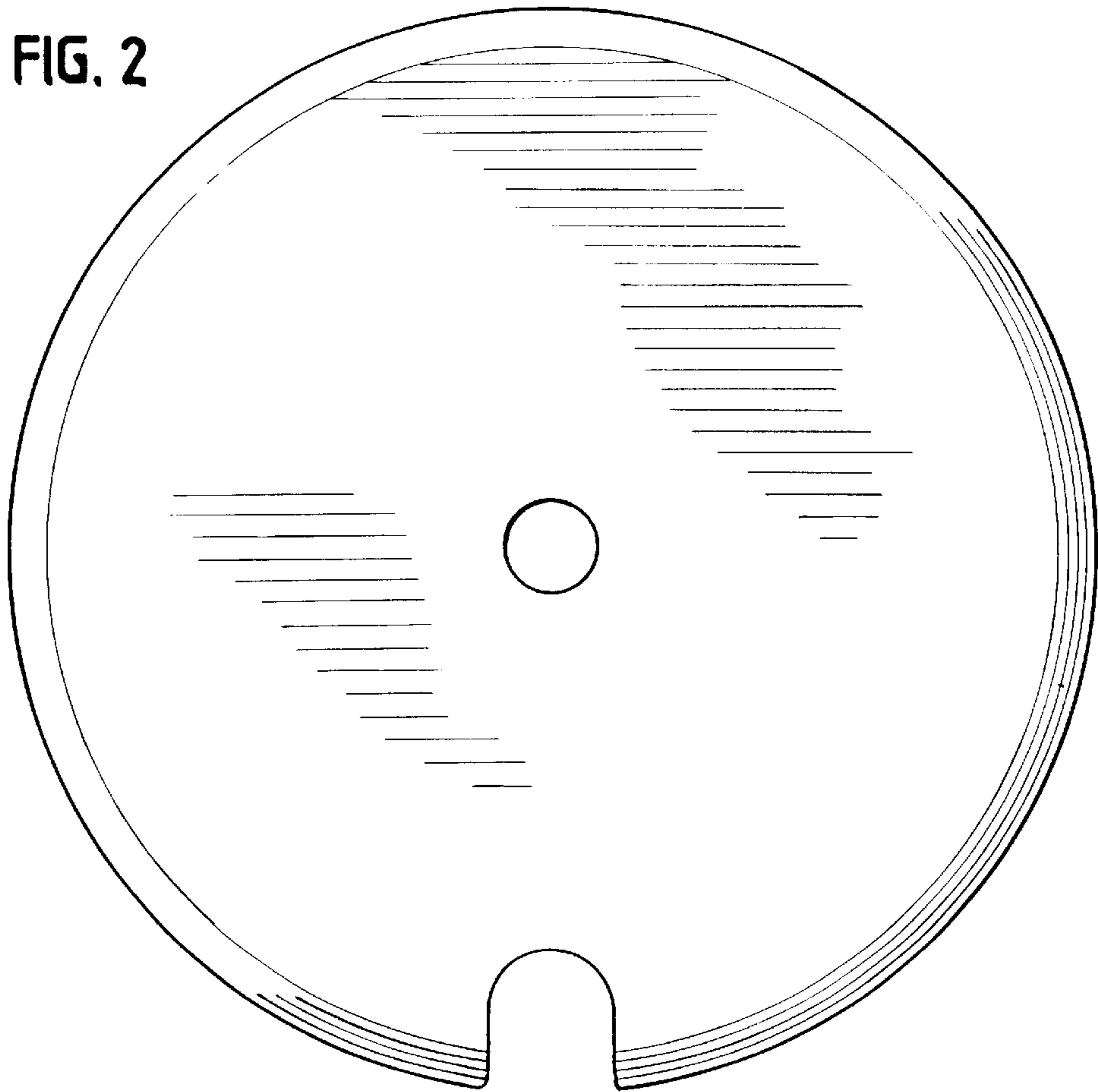


FIG. 3

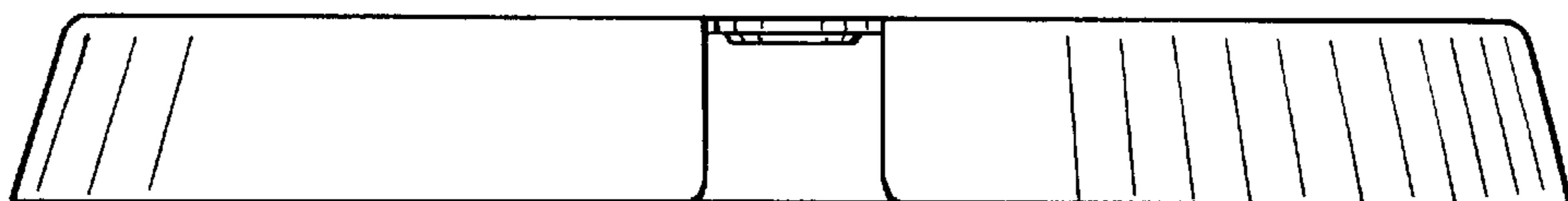


FIG. 4



FIG. 5

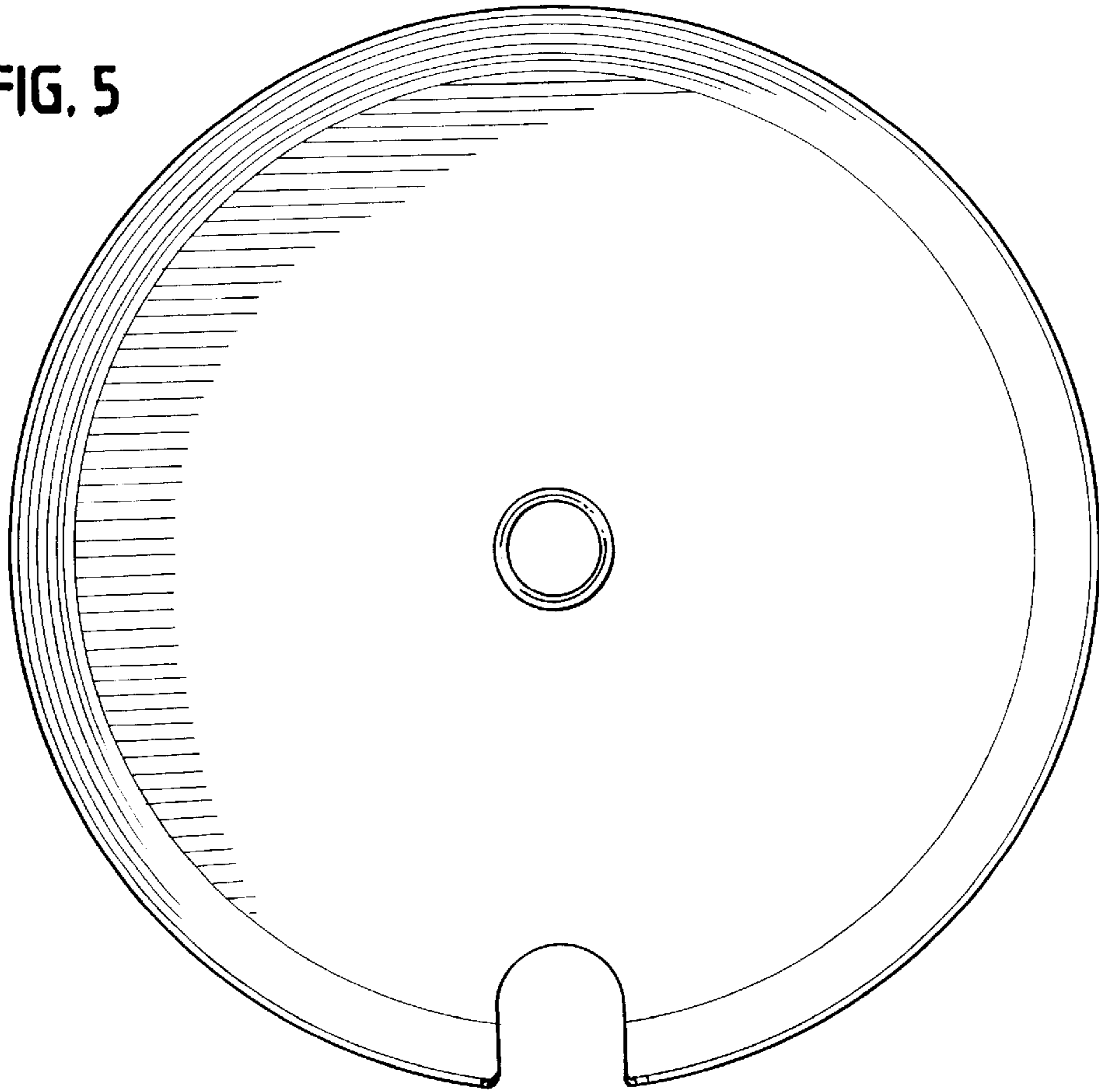


FIG. 6

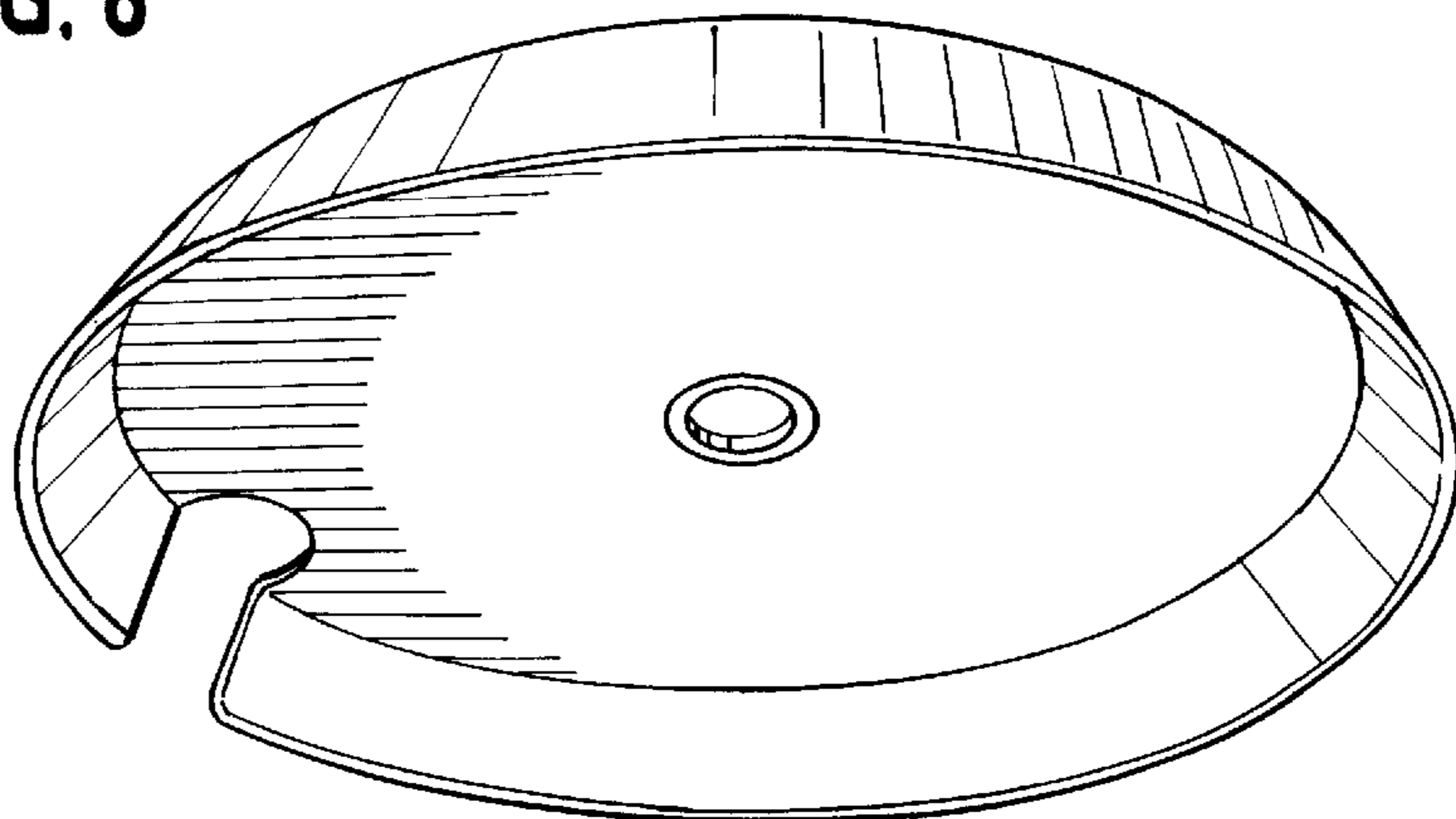


FIG. 7

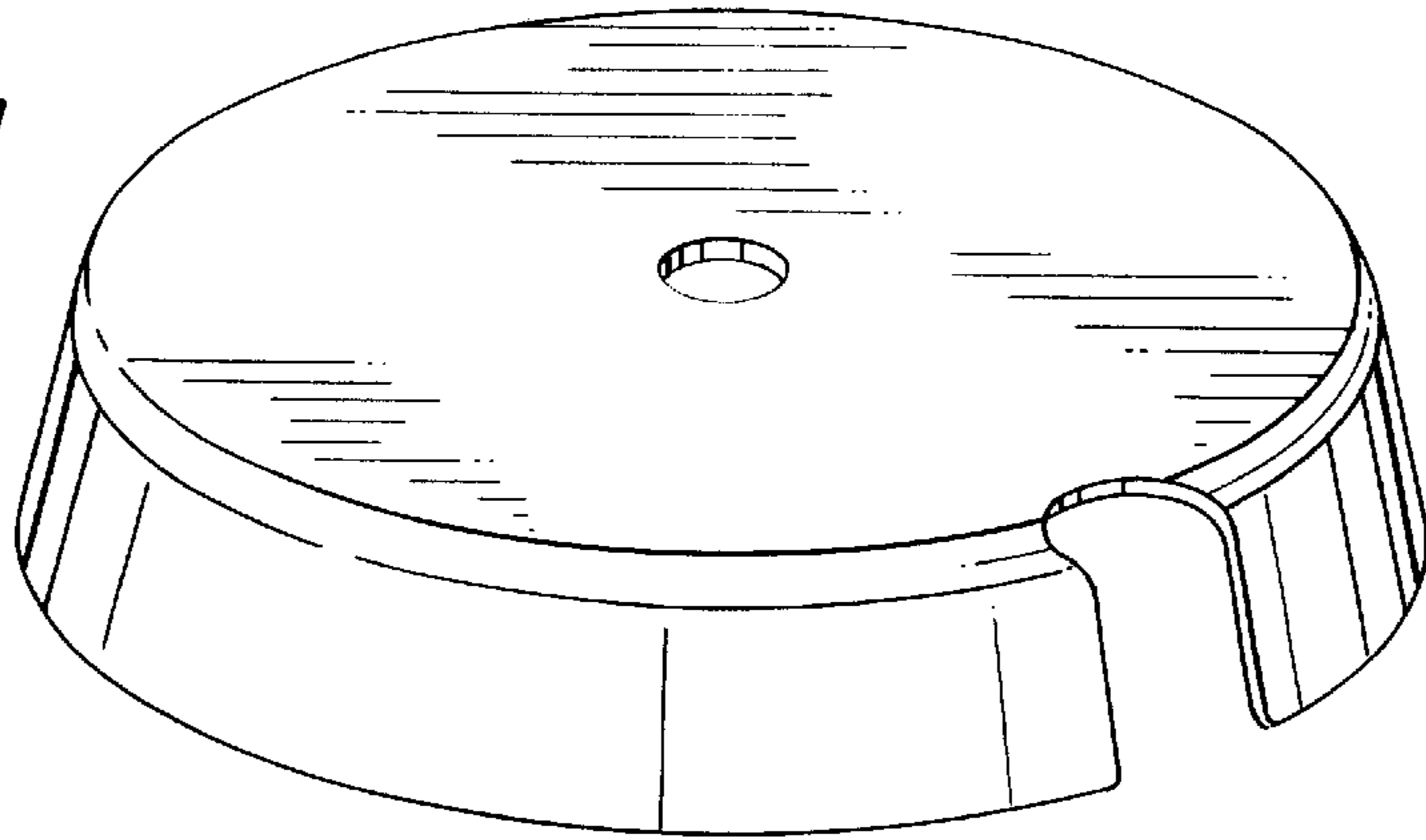


FIG. 8

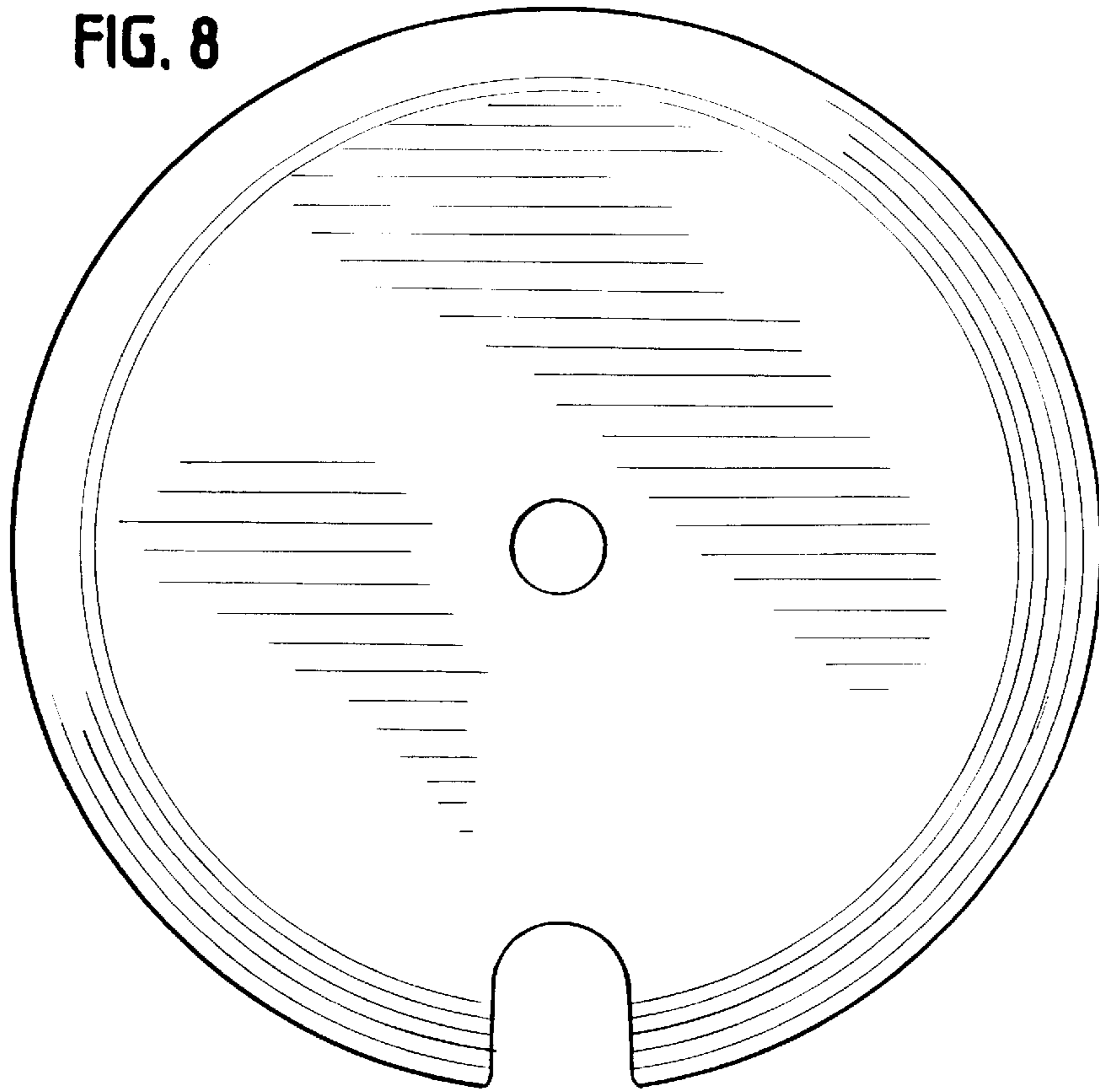


FIG. 9

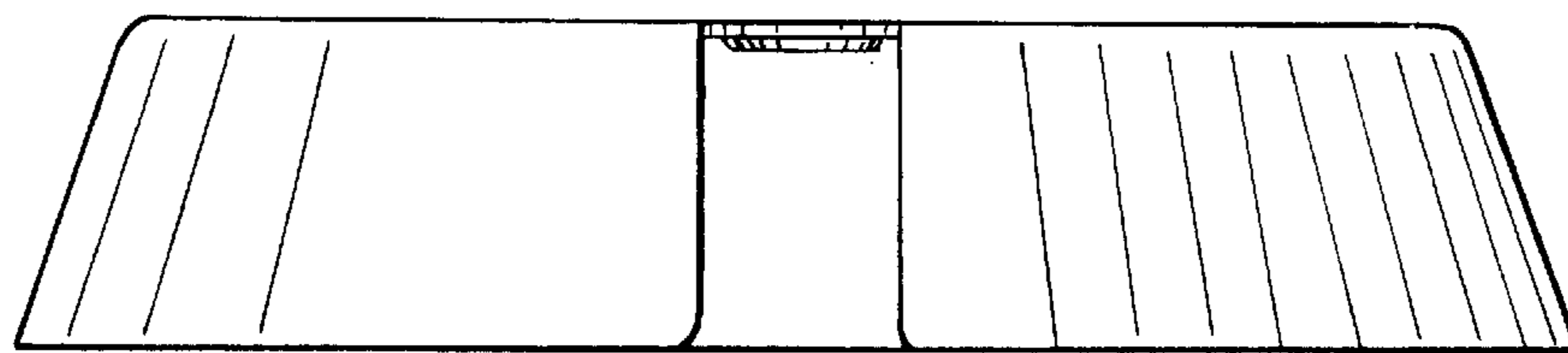


FIG. 10

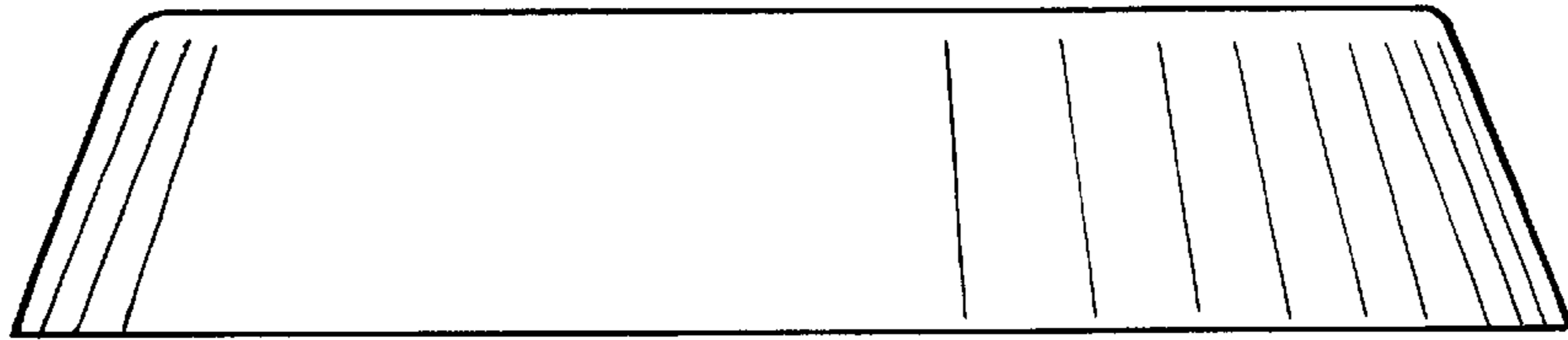


FIG. 11

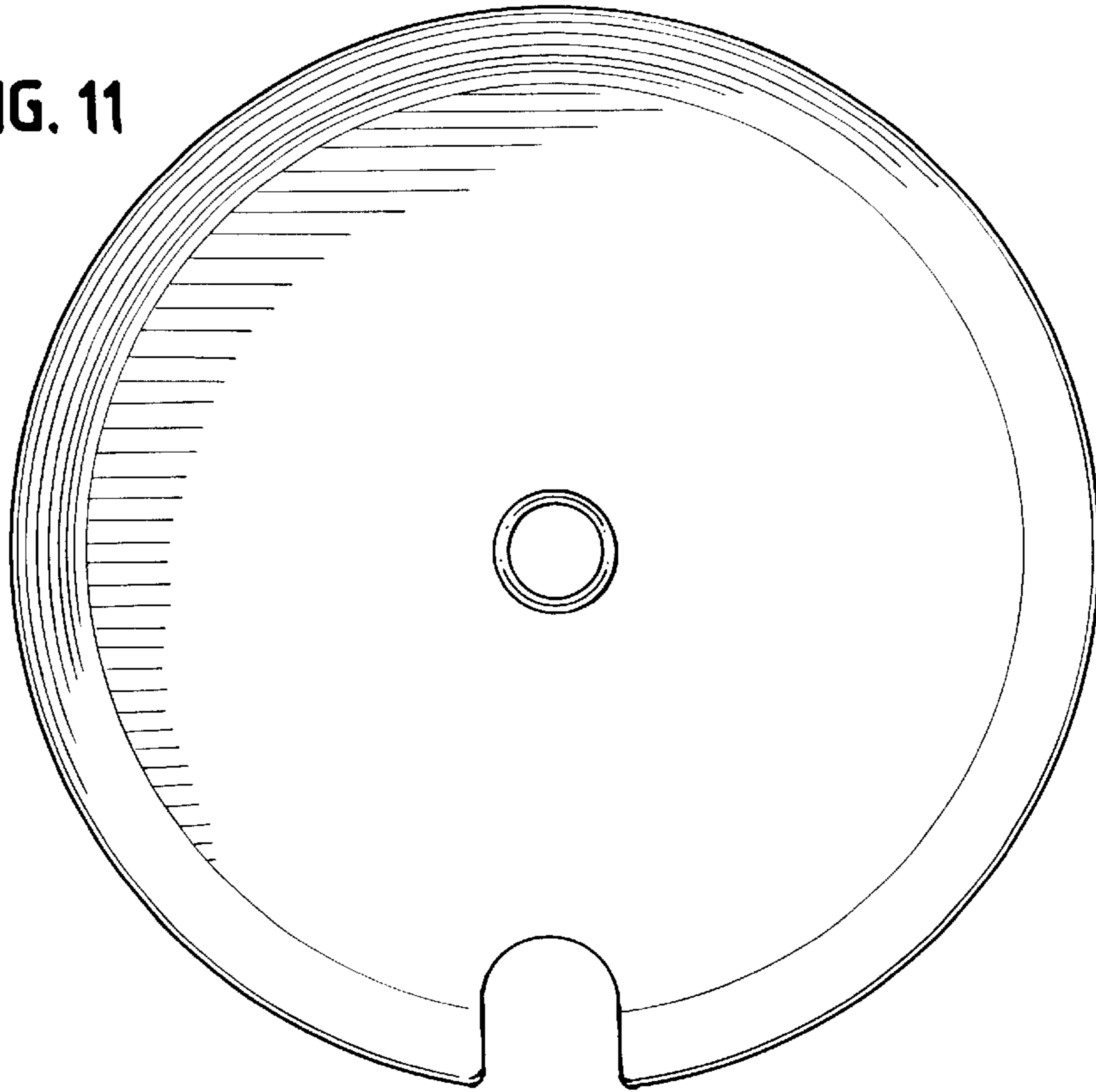


FIG. 12

