



US00D451337B1

(12) **United States Design Patent**
Sum

(10) **Patent No.:** **US D451,337 S**

(45) **Date of Patent:** **** Dec. 4, 2001**

(54) **BOTTLE STOPPER**

(75) Inventor: **David Sum, Kowloon (HK)**

(73) Assignee: **Forexim (H.K.) Limited, Kowloon (HK)**

(**) Term: **14 Years**

(21) Appl. No.: **29/136,041**

(22) Filed: **Jan. 24, 2001**

(30) **Foreign Application Priority Data**

Jul. 27, 2000 (GB) 2094517

(51) **LOC (7) Cl.** **07-99**

(52) **U.S. Cl.** **D7/387; D9/439**

(58) **Field of Search** **D7/387; D9/439;**
215/355-364

(56) **References Cited**

U.S. PATENT DOCUMENTS

D. 9,683 * 12/1876 Steele D9/439

D. 122,941 * 10/1940 Grunberg D9/439

D. 188,471 * 7/1960 Tarwilliger D9/439
D. 192,710 * 5/1962 Hecht D9/439
D. 223,147 * 3/1972 Douglas D9/439
D. 420,589 * 2/2000 Baxter D9/439
D. 421,570 * 3/2000 Hollinger D9/439
D. 422,214 * 4/2000 Hollinger D9/439

* cited by examiner

Primary Examiner—Dominic Simone

(74) *Attorney, Agent, or Firm*—Salter & Michaelson

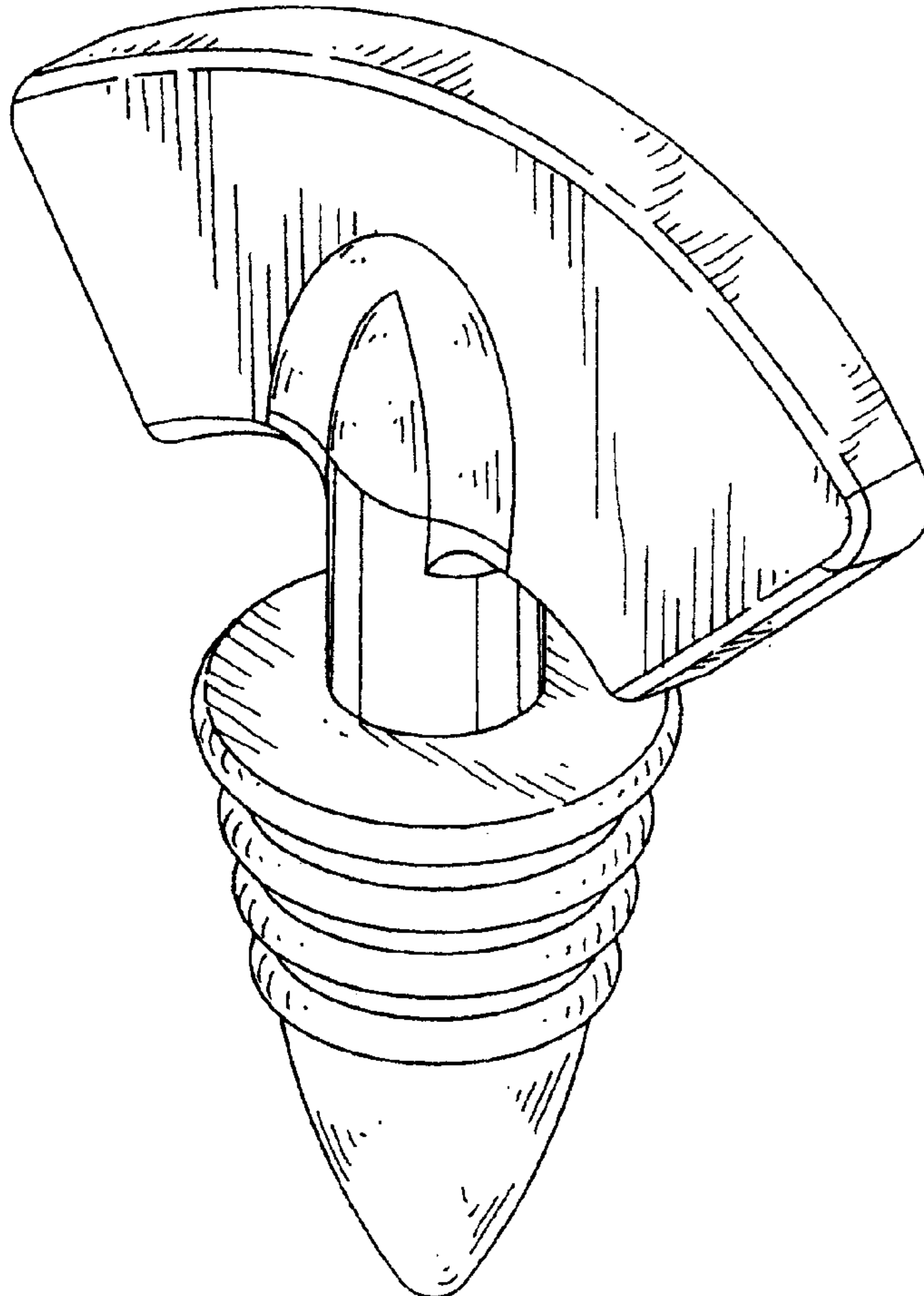
(57) **CLAIM**

The ornamental design for a bottle stopper, as shown.

DESCRIPTION

FIG. 1 is a perspective view of a bottle stopper;
FIG. 2 is a front elevational view thereof;
FIG. 3 is a rear elevational view thereof;
FIG. 4 is a left side elevational view thereof;
FIG. 5 is a right side elevational view thereof;
FIG. 6 is a top plan view thereof; and,
FIG. 7 is a bottom plan view thereof.

1 Claim, 3 Drawing Sheets



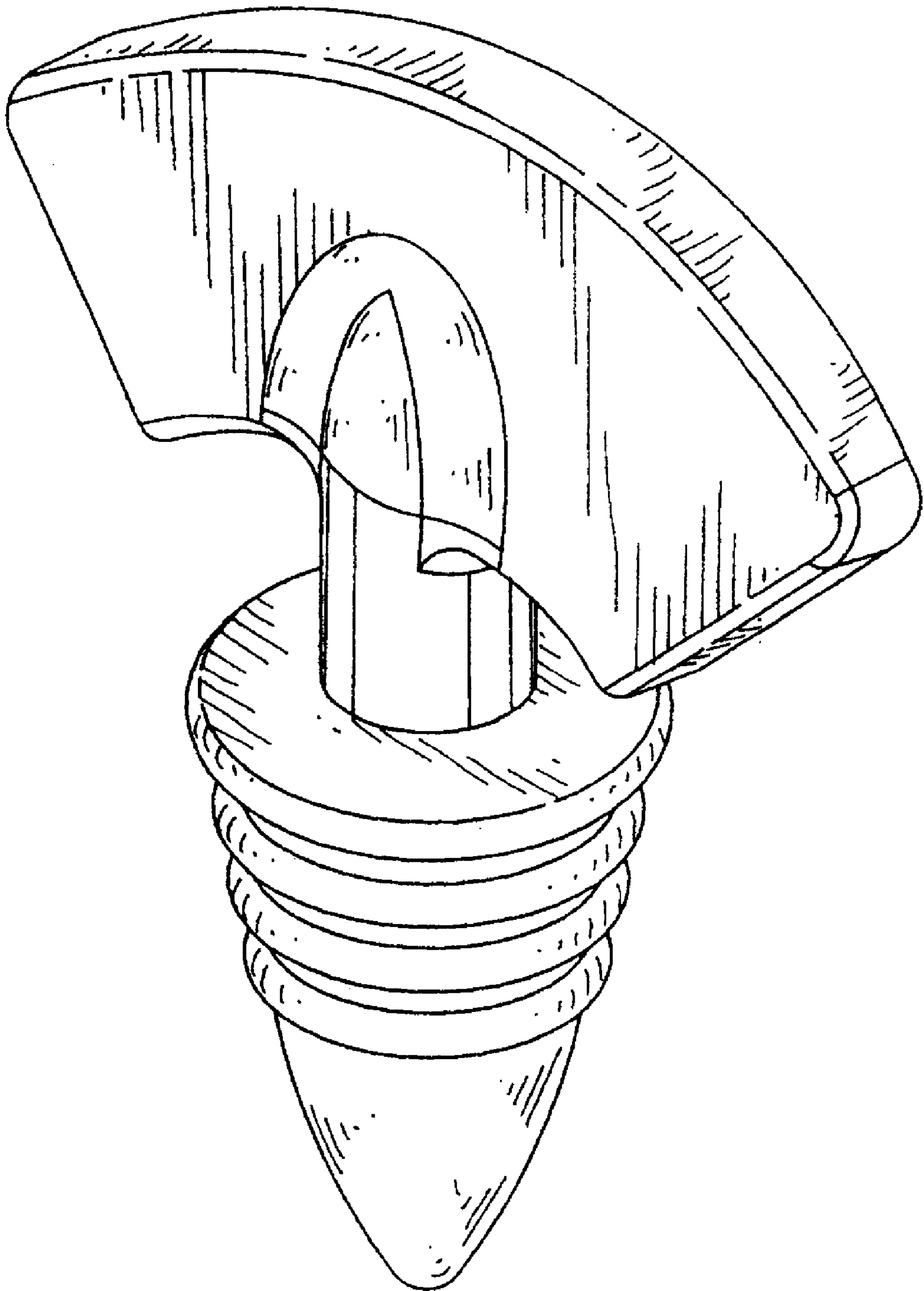


FIG. 1

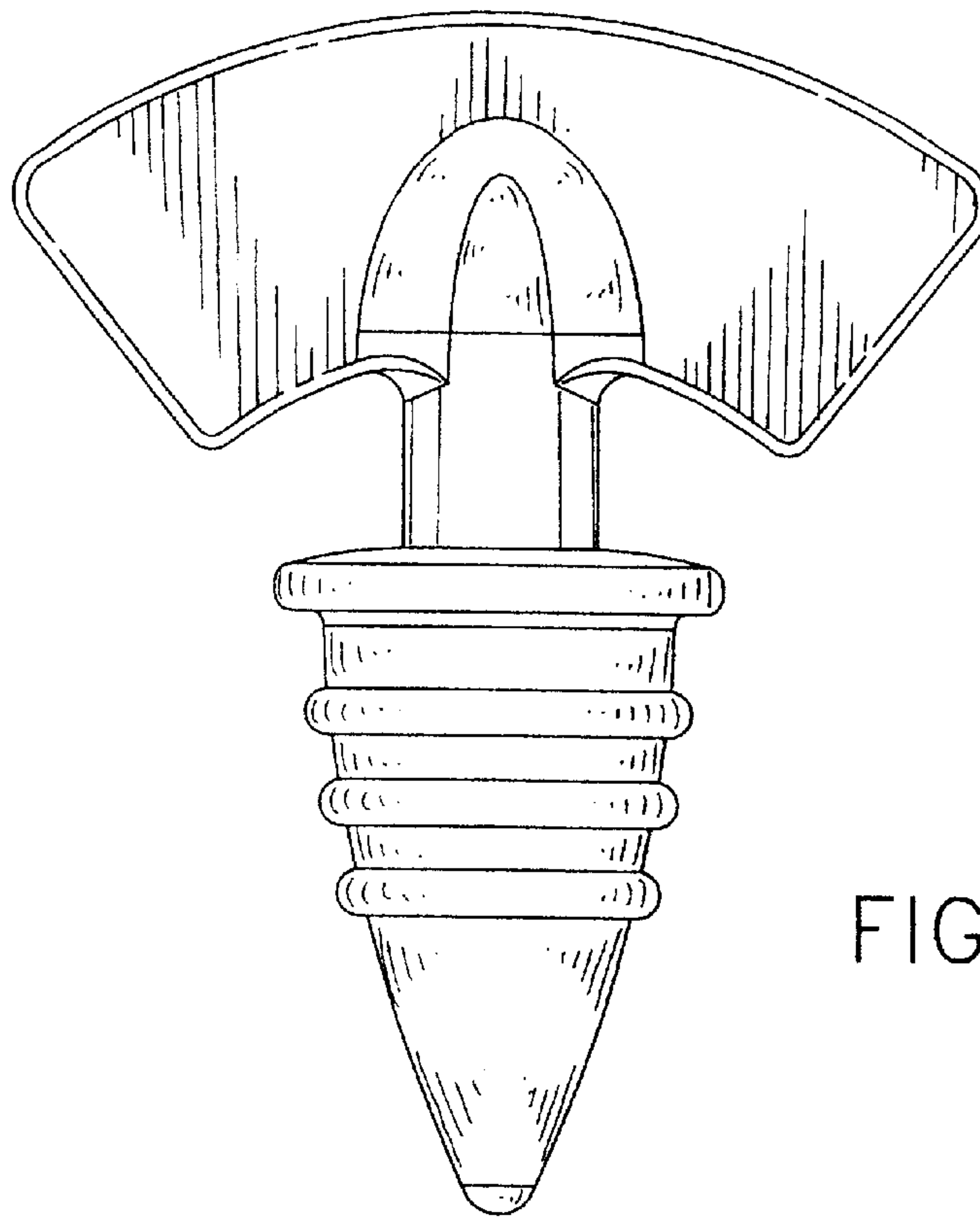


FIG. 2

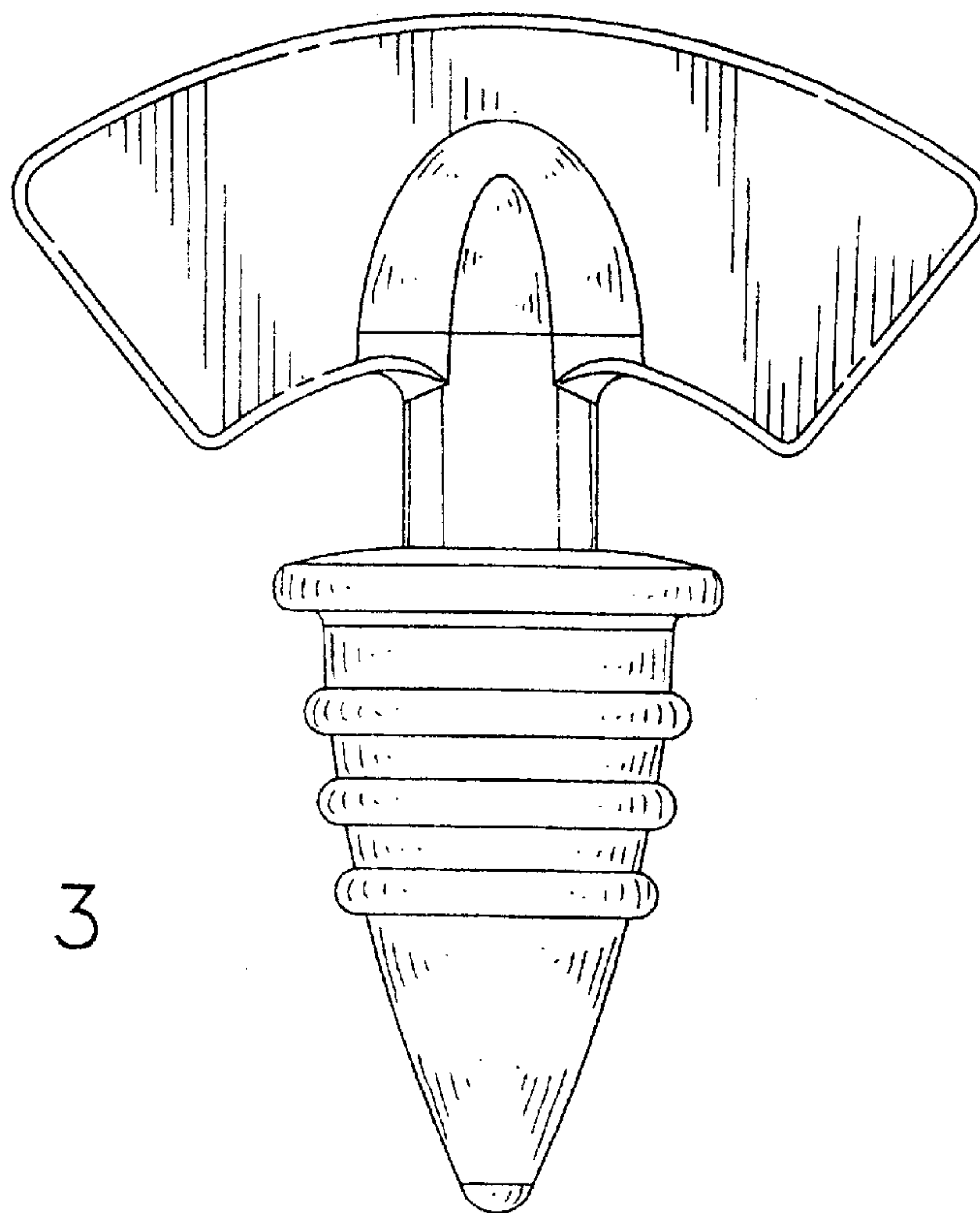


FIG. 3

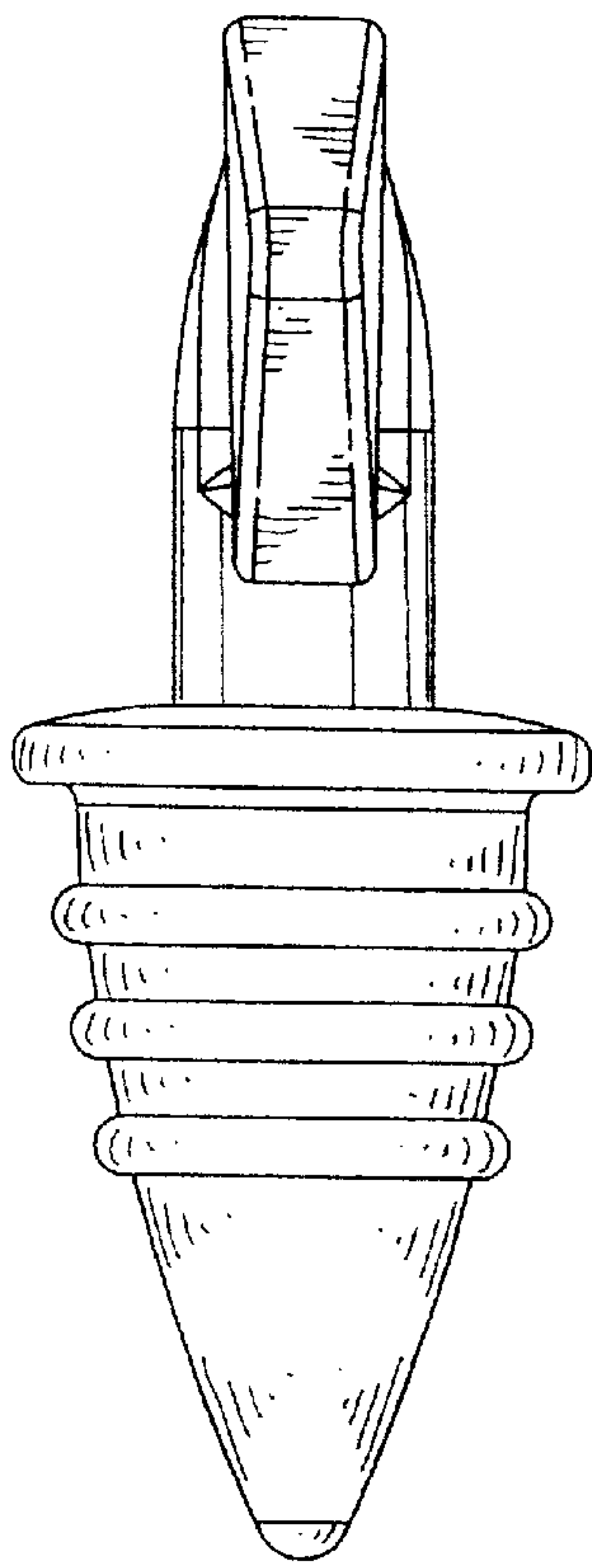


FIG. 4

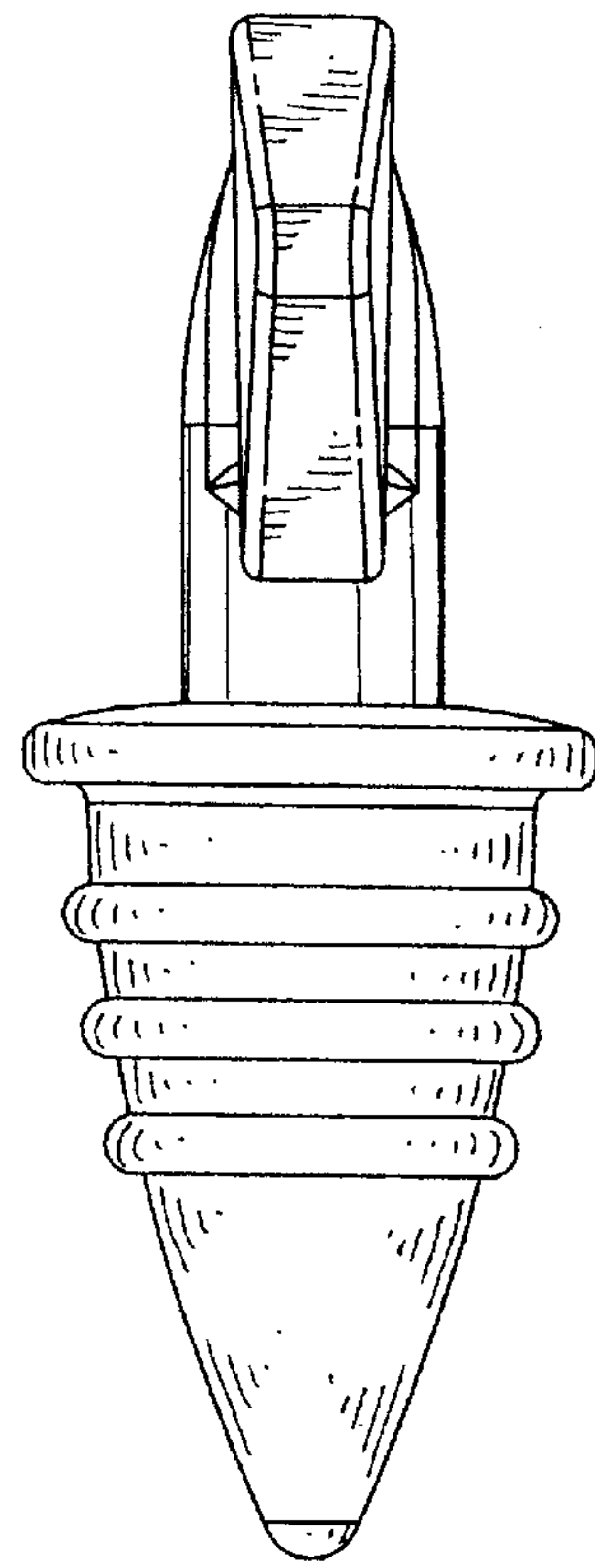


FIG. 5

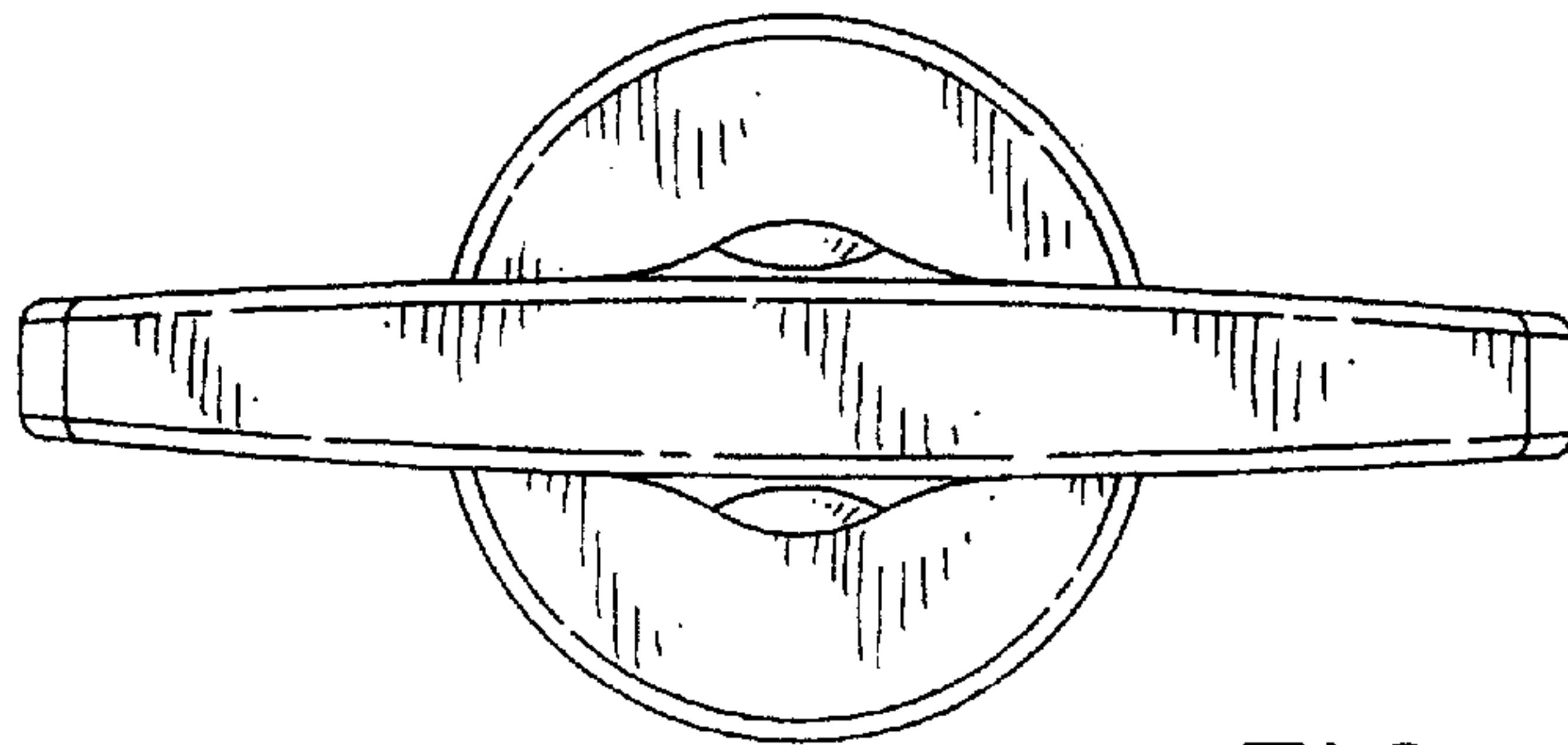


FIG. 6

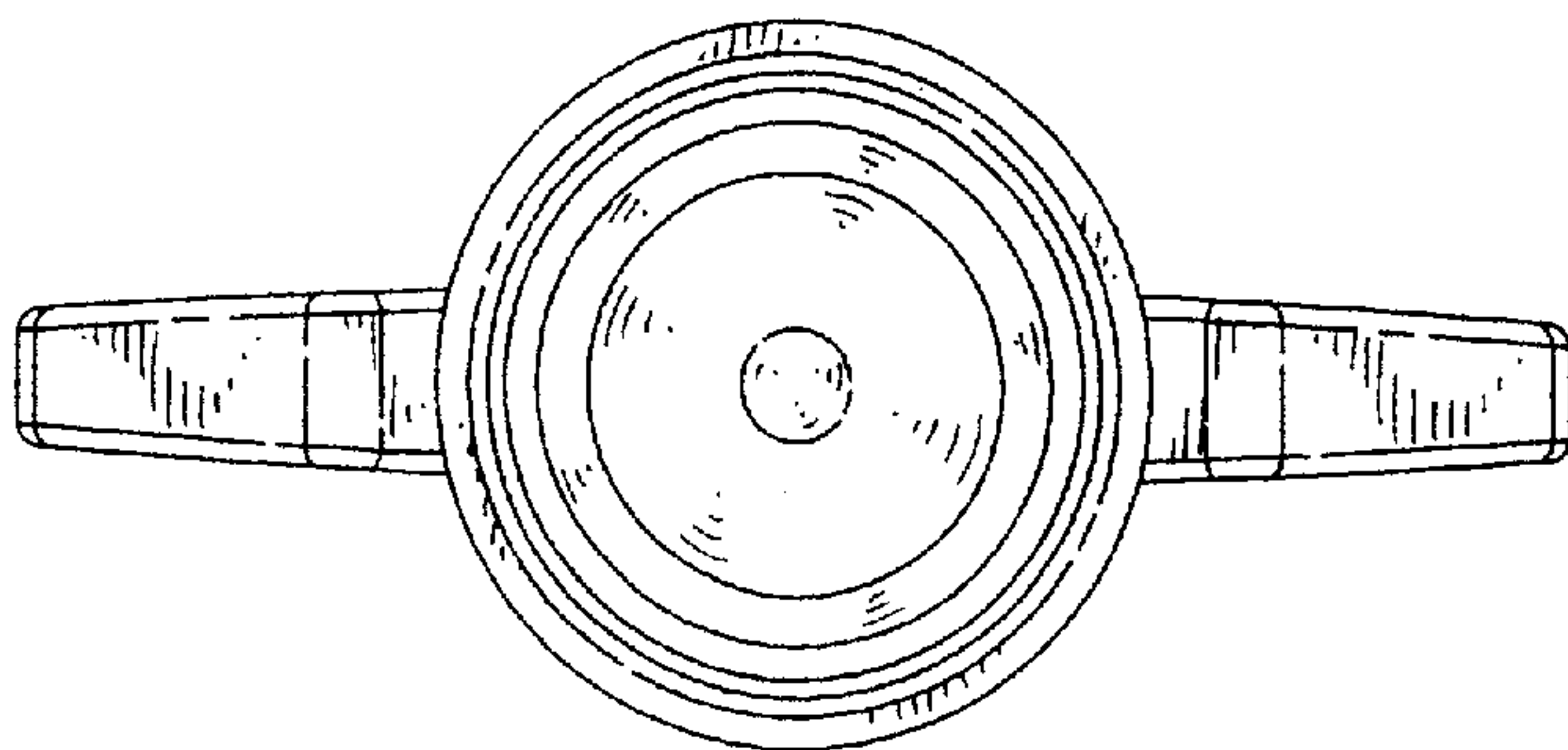


FIG. 7