



US00D451333B1

(12) **United States Design Patent**
Hsu

(10) **Patent No.:** **US D451,333 S**

(45) **Date of Patent:** **** Dec. 4, 2001**

(54) **ROASTER**

(75) Inventor: **Tony Hsu, Yung Kang (TW)**

(73) Assignee: **Lundar Electric Industrial Co., Ltd.,
Tainan Hsien (TW)**

(**) Term: **14 Years**

(21) Appl. No.: **29/132,465**

(22) Filed: **Nov. 13, 2000**

(51) **LOC (7) Cl.** **07-02**

(52) **U.S. Cl.** **D7/350.4**

(58) **Field of Search** D7/350.1, 350.3,
D7/350.4, 351, 402, 405-406, 362-367;
126/273 A, 275 R, 275 E, 19 M, 21 R;
219/678, 756-758, 739; 99/421 R, 341,
350, DIG. 14

(56) **References Cited**

U.S. PATENT DOCUMENTS

- D. 422,172 * 4/2000 Hsu D7/350
- D. 423,280 * 4/2000 Lin D7/363
- D. 433,867 * 11/2000 Hsu D7/350

- D. 438,421 * 3/2001 Su D7/350
- 6,029,649 * 2/2000 Su 126/200
- 6,076,453 * 6/2000 Hsu 99/421 H
- 6,082,352 * 7/2000 Hsu 126/194
- 6,131,505 * 10/2000 Lin 99/340
- 6,199,548 * 3/2001 Hsu 126/194

* cited by examiner

Primary Examiner—Ruth McInroy

(74) *Attorney, Agent, or Firm*—Rosenberg, Klein & Lee

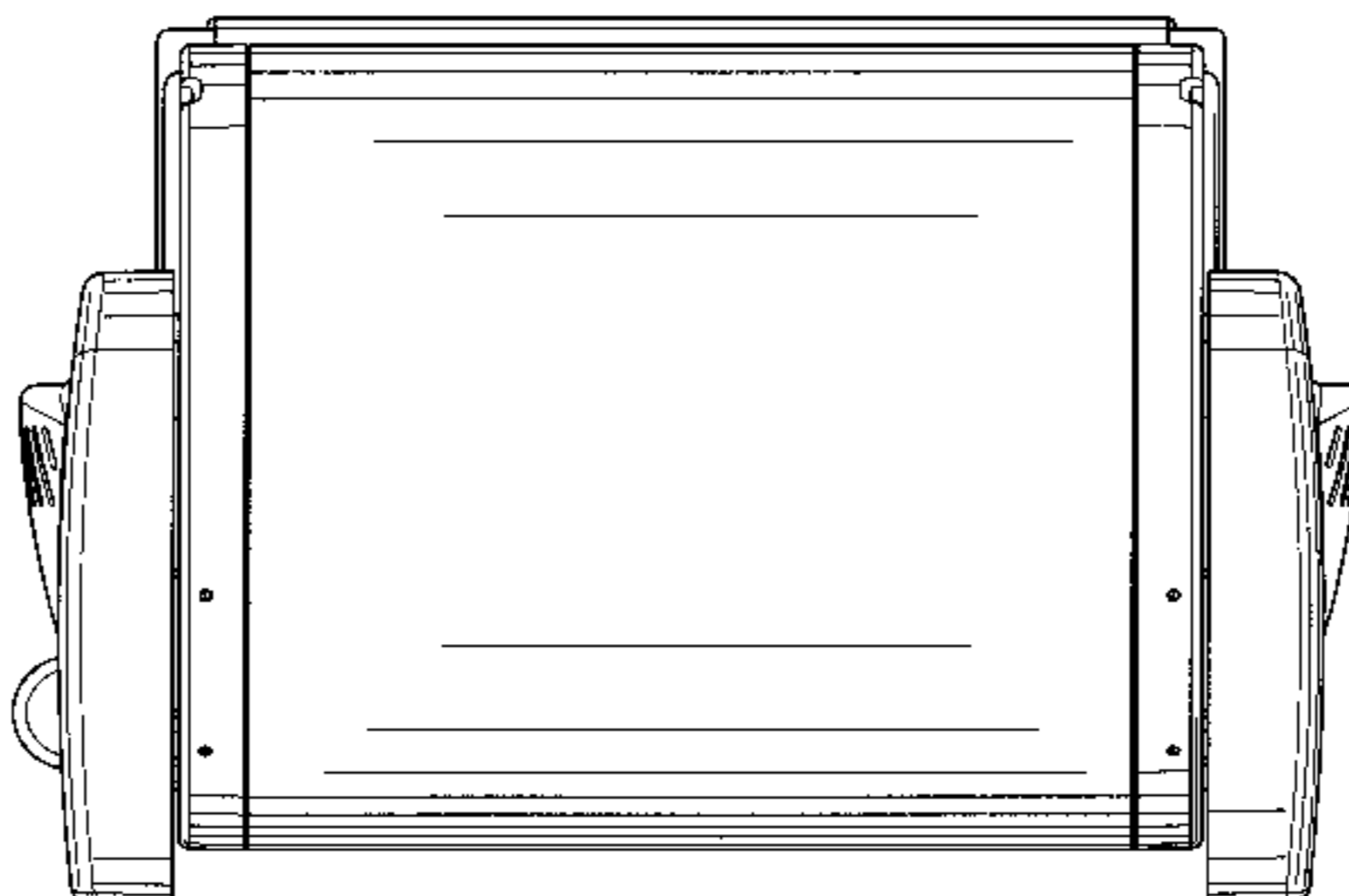
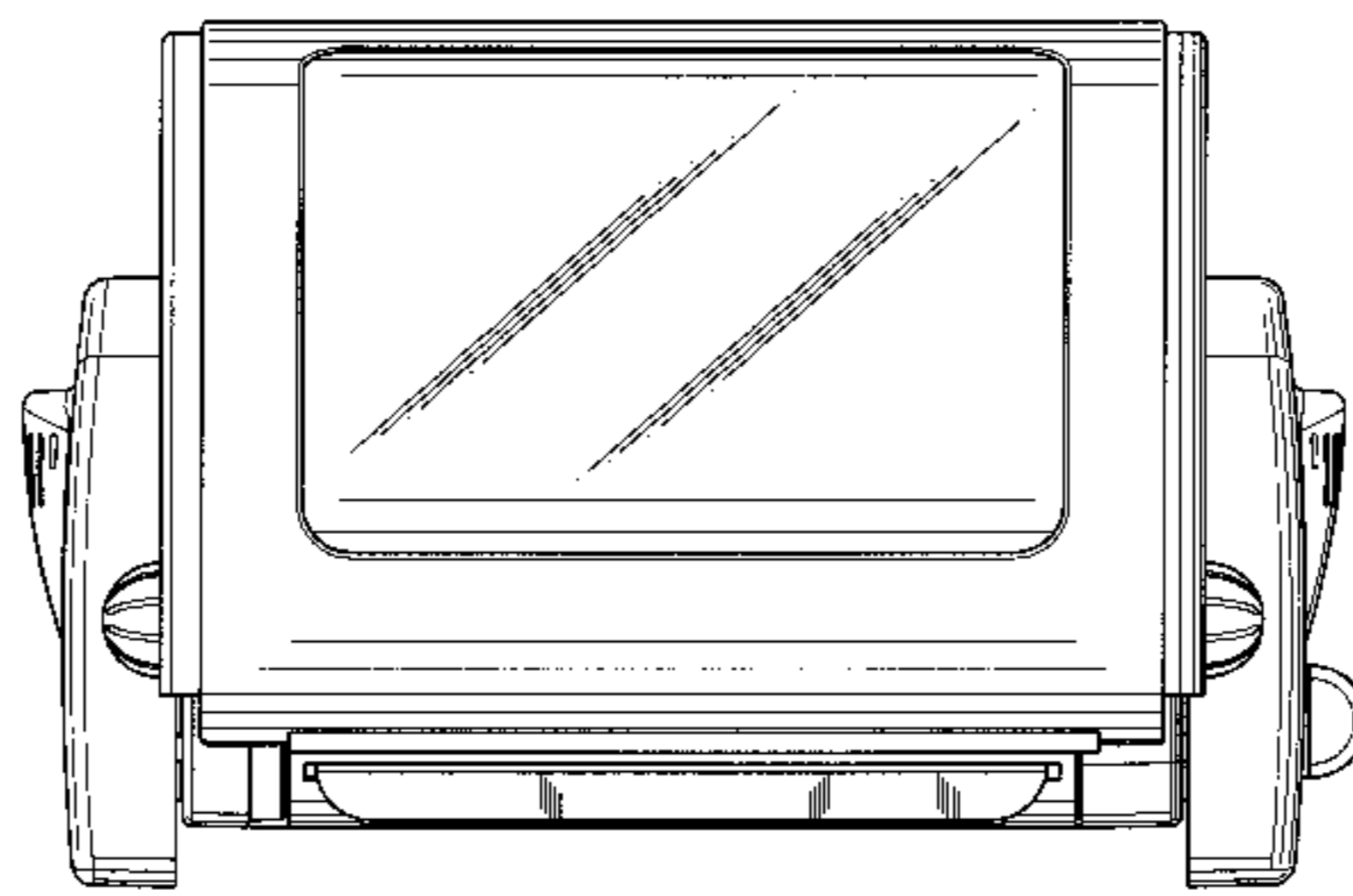
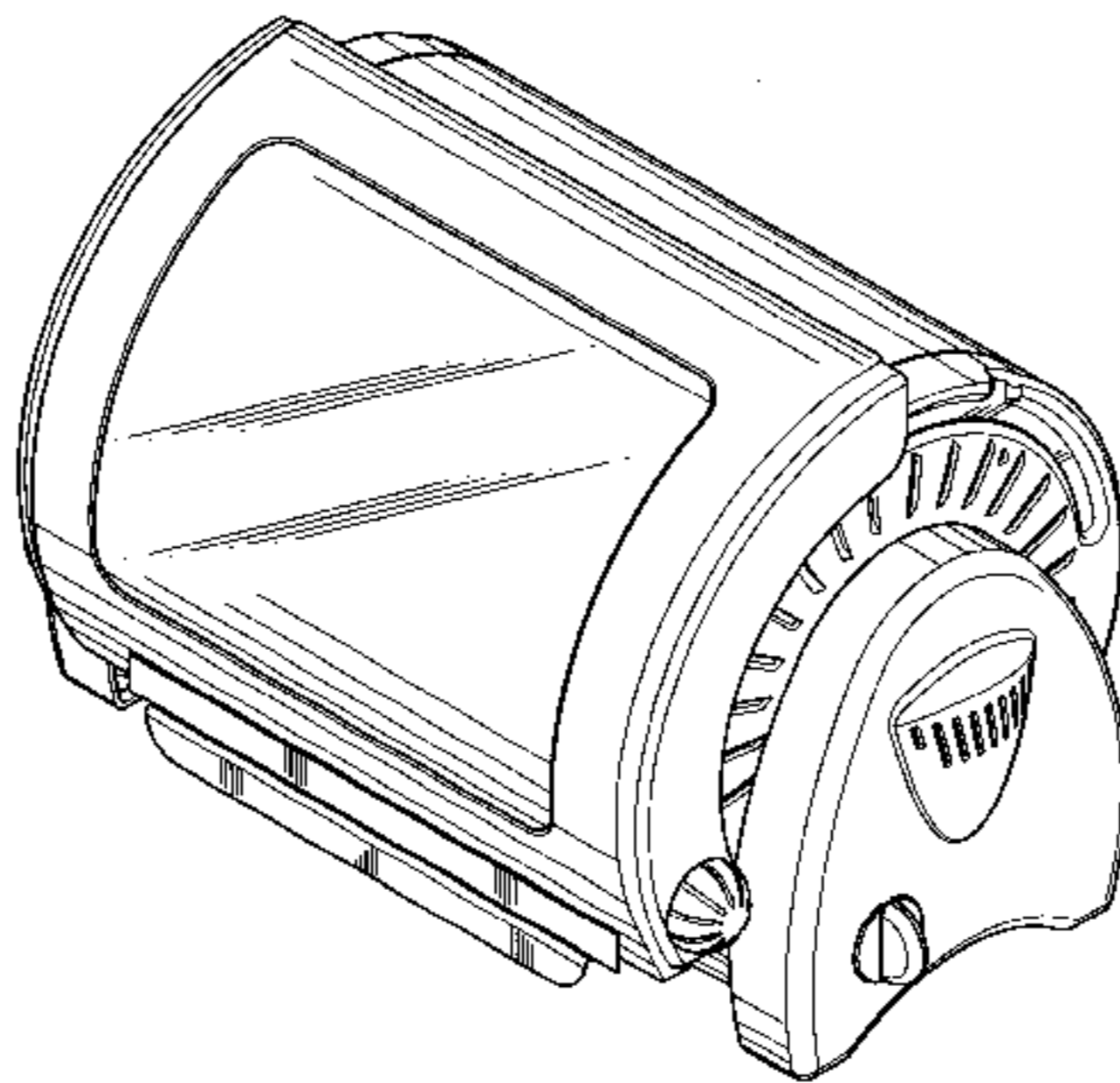
(57) **CLAIM**

The ornamental design for roaster, as shown and described.

DESCRIPTION

FIG. 1 is a perspective view of roaster showing my new design;
 FIG. 2 is a front view thereof;
 FIG. 3 is a rear view thereof;
 FIG. 4 is a left view thereof;
 FIG. 5 is a right view thereof;
 FIG. 6 is a top plan view thereof; and,
 FIG. 7 is a bottom plan view.

1 Claim, 7 Drawing Sheets



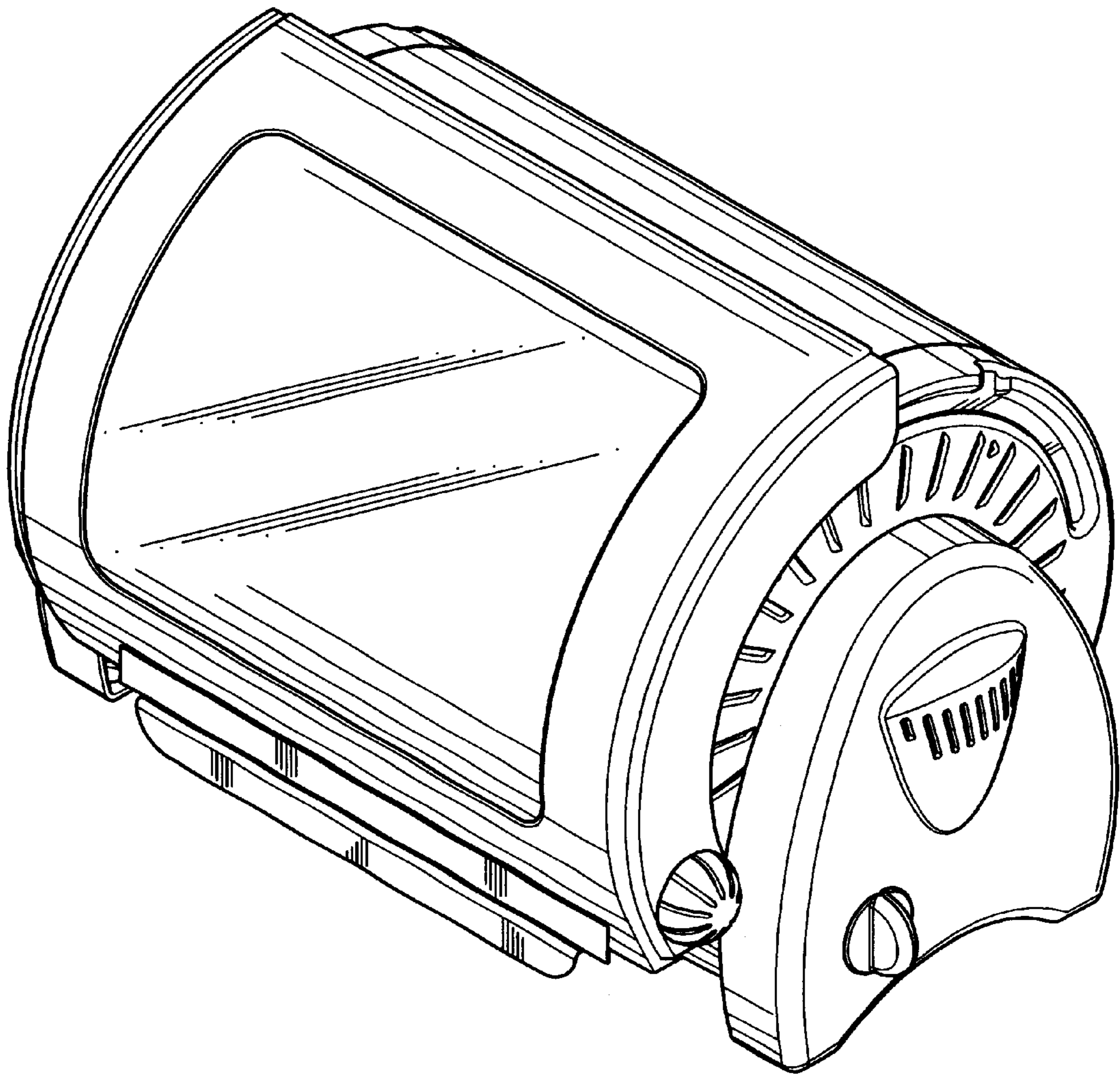


FIG. 1

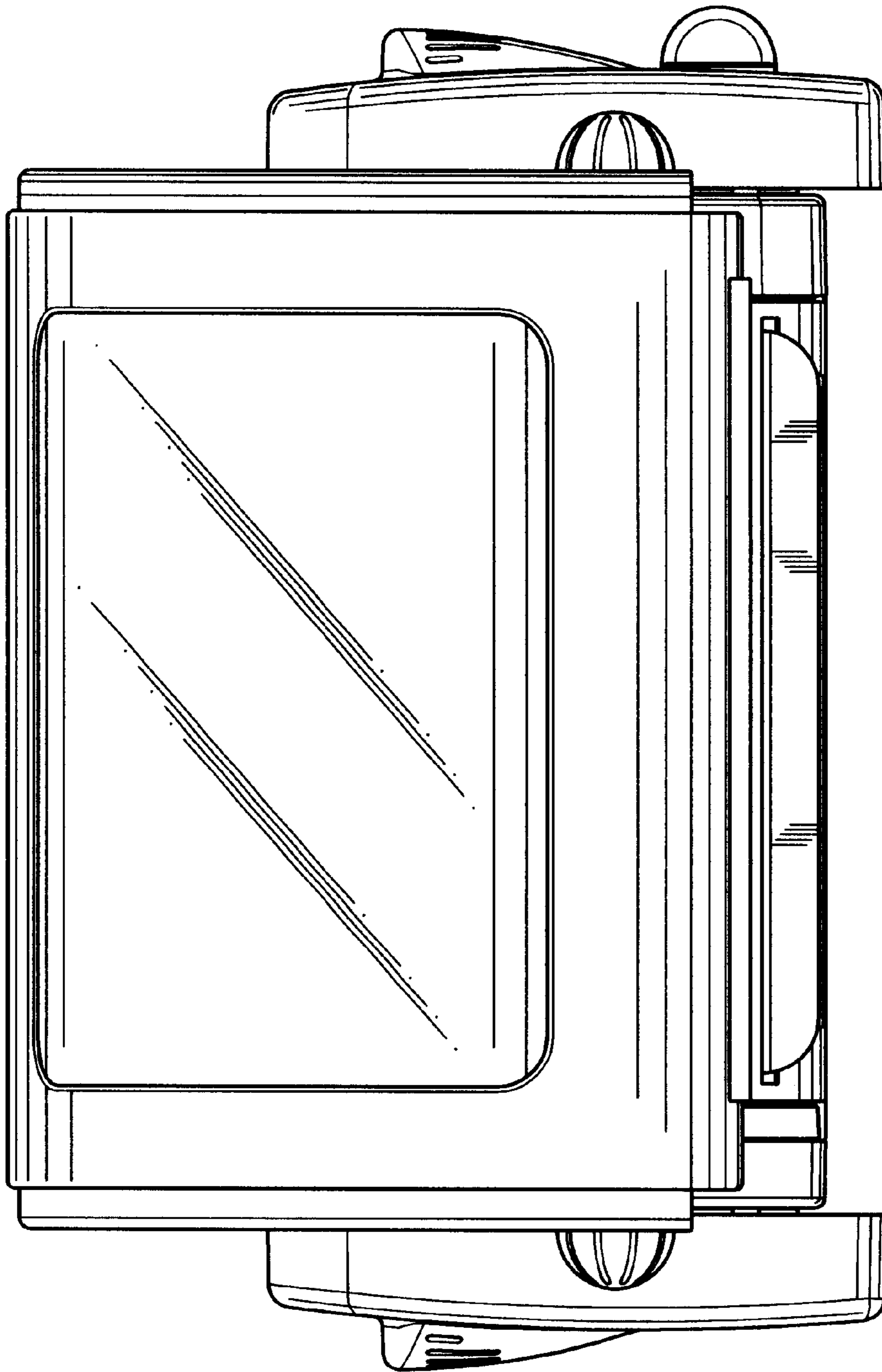


FIG. 2

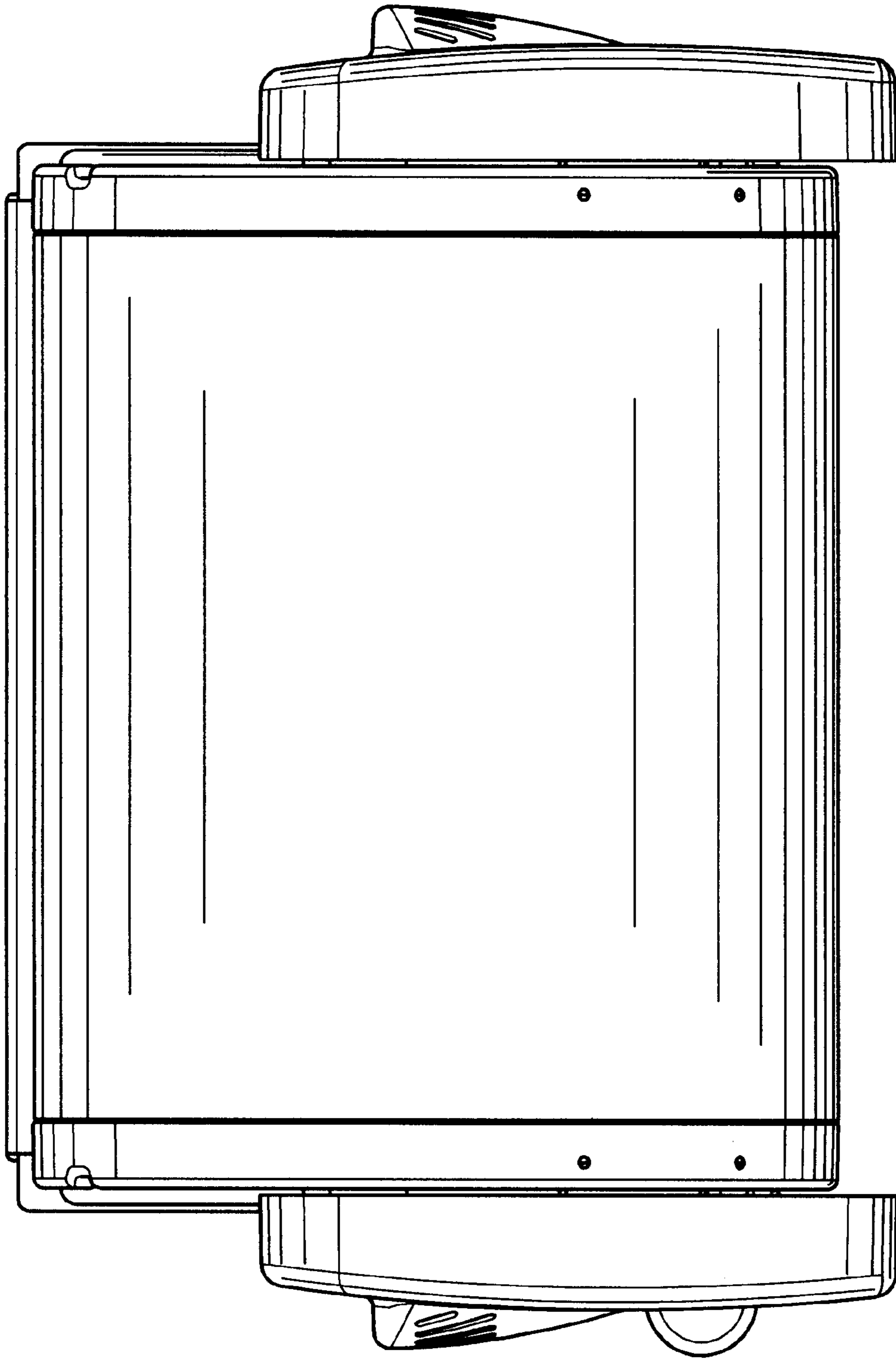


FIG. 3

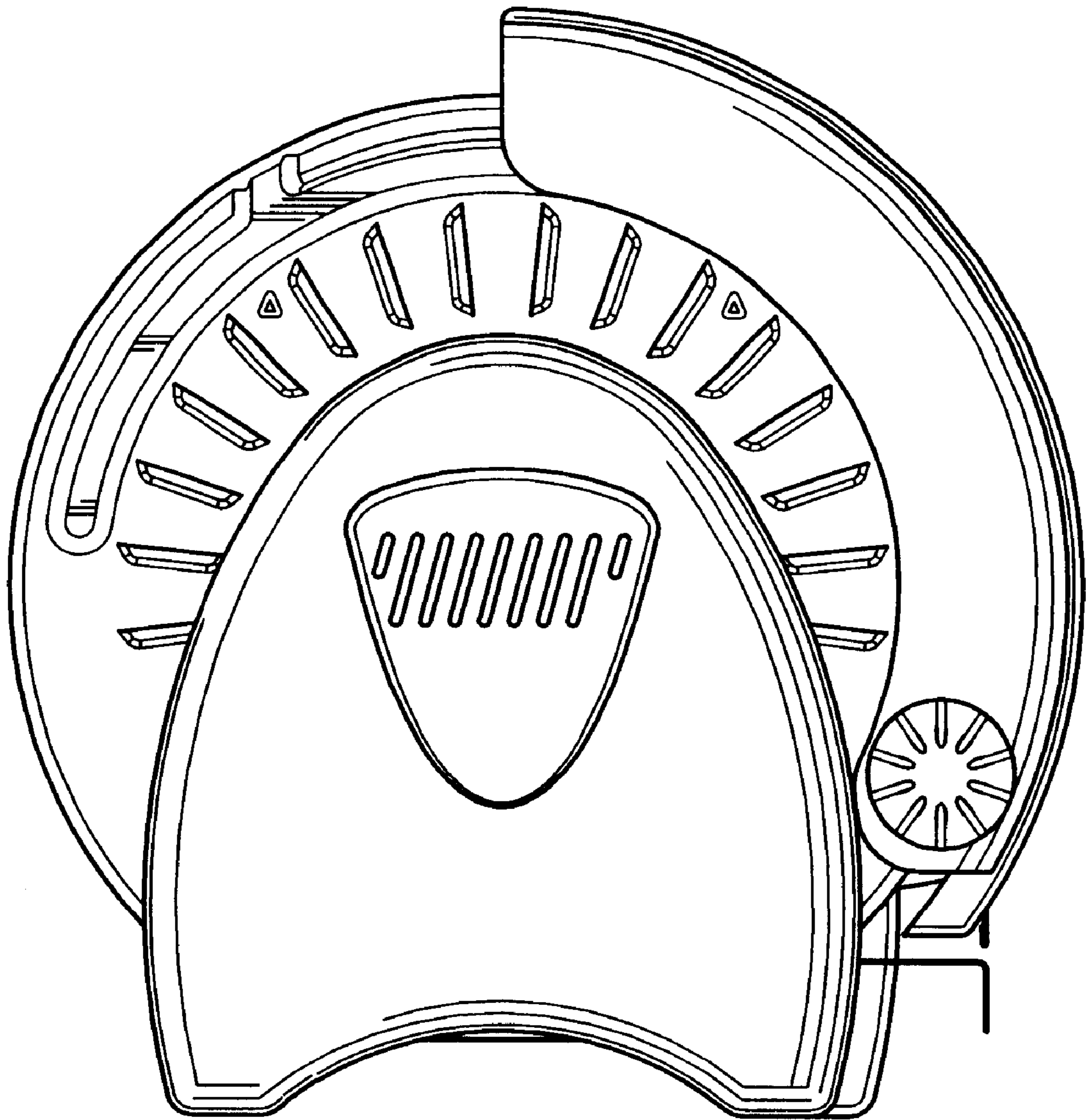


FIG. 4

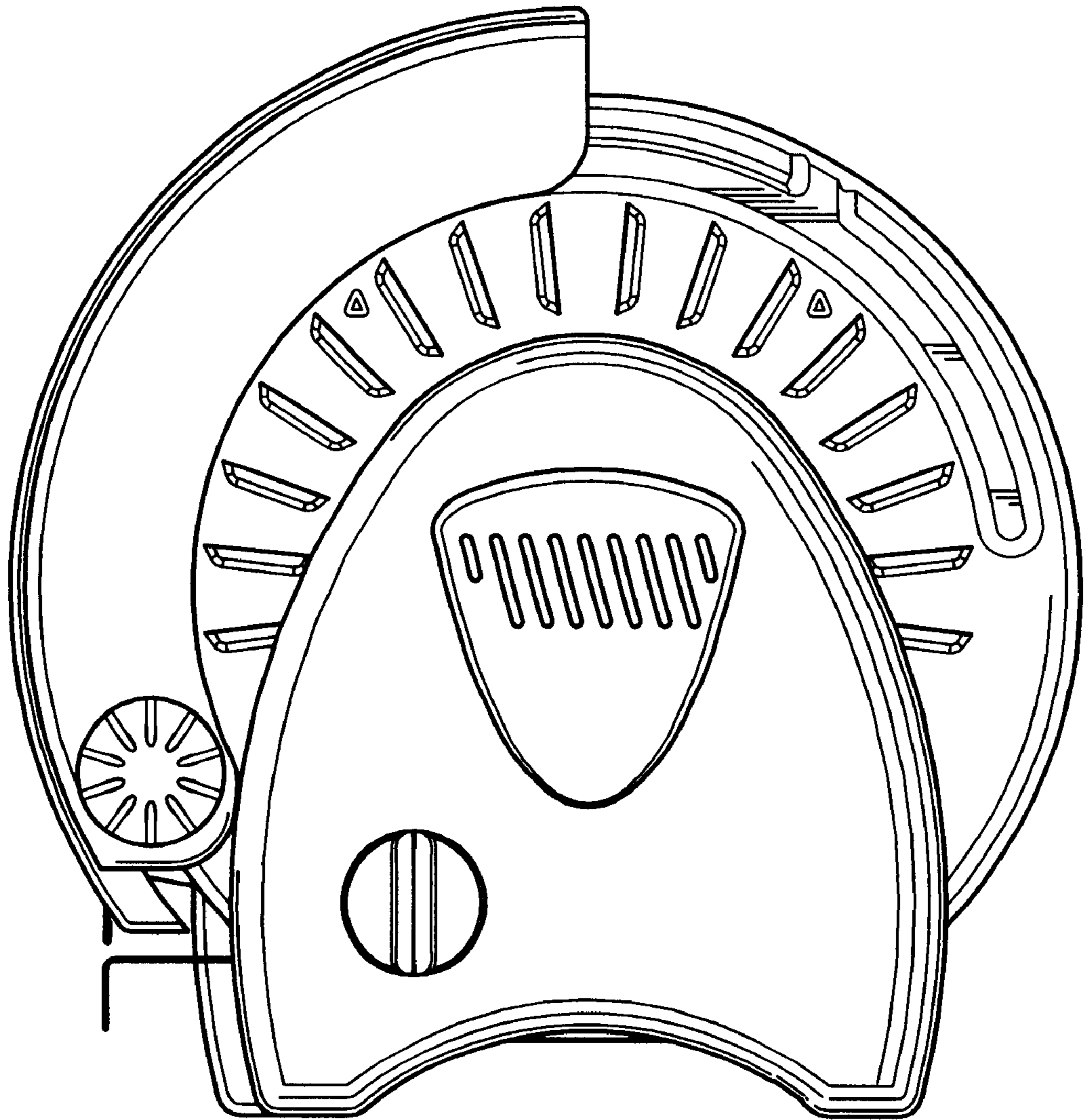


FIG. 5

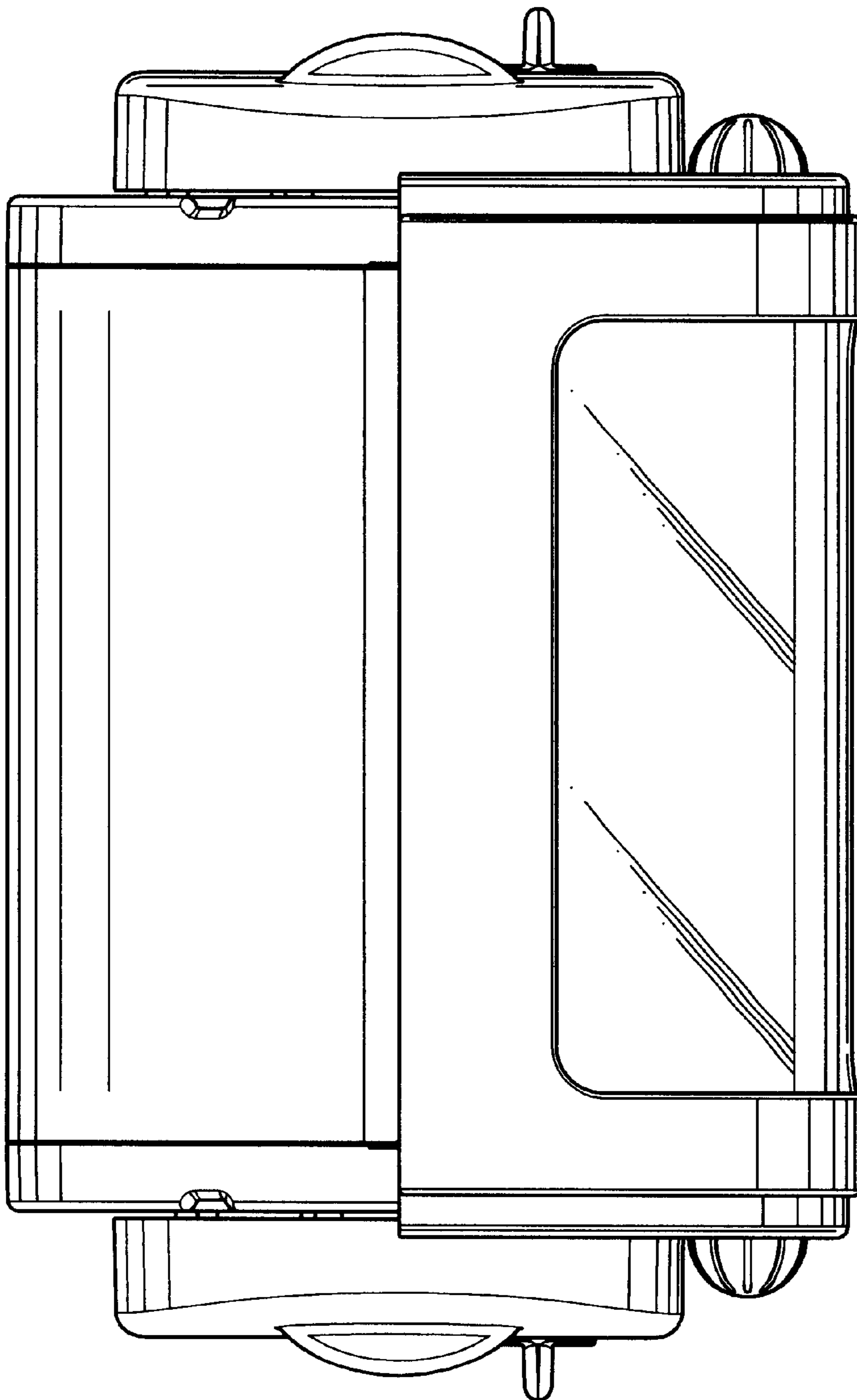


FIG. 6

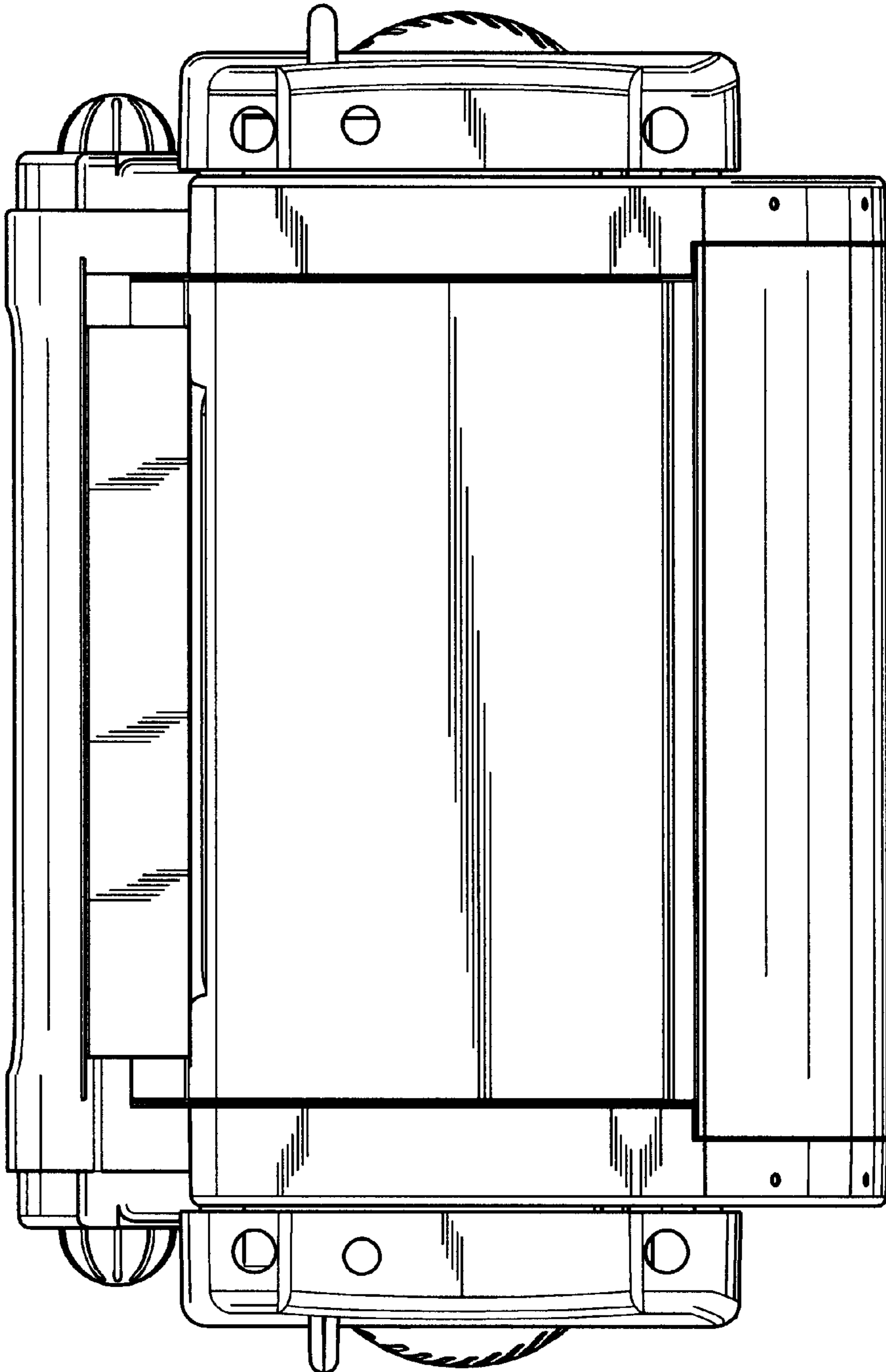


FIG. 7