



US00D451326B1

(12) **United States Design Patent**
Gottwald

(10) **Patent No.:** **US D451,326 S**

(45) **Date of Patent:** **** Dec. 4, 2001**

(54) **ARTICLE HOLDER FOR SANITARY FACILITIES**

(75) **Inventor:** **Adolf Gottwald, Iserlohn (DE)**

(73) **Assignee:** **Friedrich Grohe AG & Co. KG, Hemer (DE)**

(**) **Term:** **14 Years**

(21) **Appl. No.:** **29/142,605**

(22) **Filed:** **May 30, 2001**

(30) **Foreign Application Priority Data**

Dec. 1, 2000 (DE) 400 11 471

(51) **LOC (7) Cl.** **23-02**

(52) **U.S. Cl.** **D6/524**

(58) **Field of Search** D6/581, 524, 535, D6/536, 540; 248/205.3, 205.5, 309.1

(56) **References Cited**

U.S. PATENT DOCUMENTS

D. 157,147 * 2/1950 Hallenscheid D6/535

D. 283,283 * 4/1986 Sollen D6/535
D. 371,735 * 7/1996 Motta D6/535 X
D. 425,742 * 5/2000 Duggan D6/535
D. 433,859 * 11/2000 Fiegl et al. D6/551

* cited by examiner

Primary Examiner—Brian N. Vinson

(74) *Attorney, Agent, or Firm*—Herbert Dubno

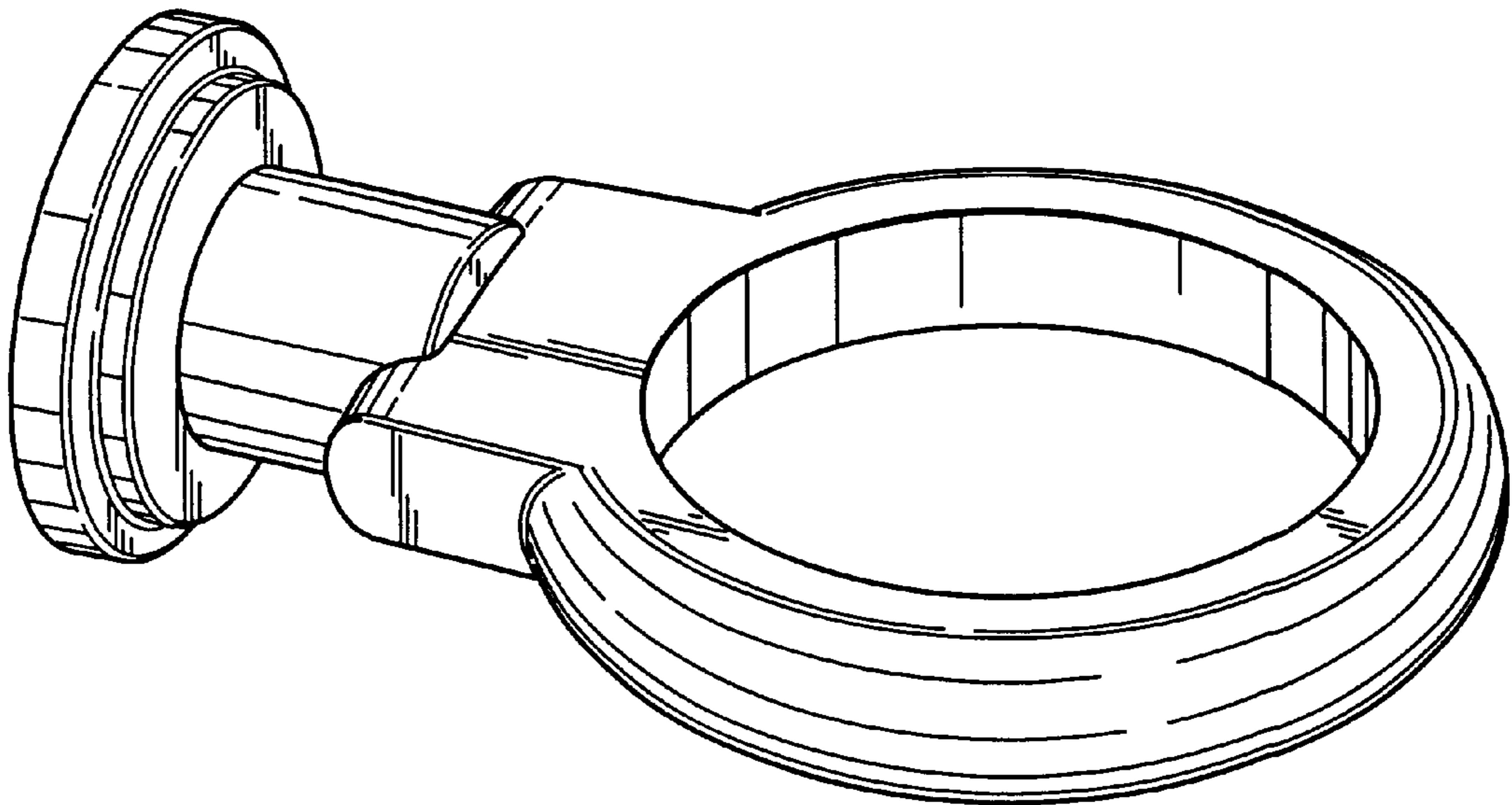
(57) **CLAIM**

The ornamental design for an article holder for sanitary facilities, as shown and described.

DESCRIPTION

FIG. 1 is a top, front, left-side perspective view of an article holder for sanitary facilities showing my new design; FIG. 2 is a front elevational view thereof; FIG. 3 is a rear elevational view thereof; FIG. 4 is a top plan view thereof, the bottom plan view being identical thereto; and, FIG. 5 is a right side elevational view thereof, the left side elevational view being mirror symmetrical thereto.

1 Claim, 2 Drawing Sheets



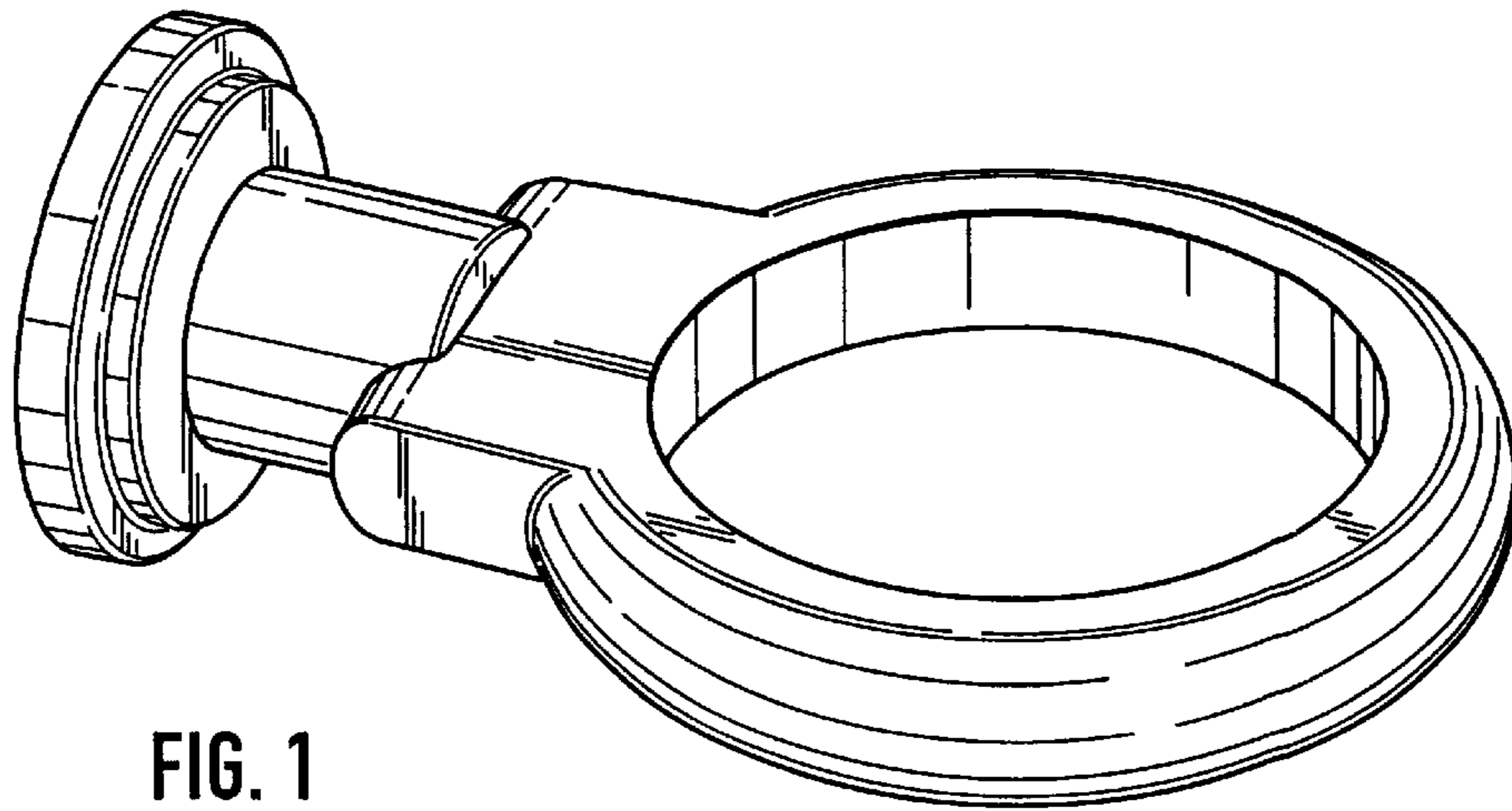


FIG. 1

FIG. 2

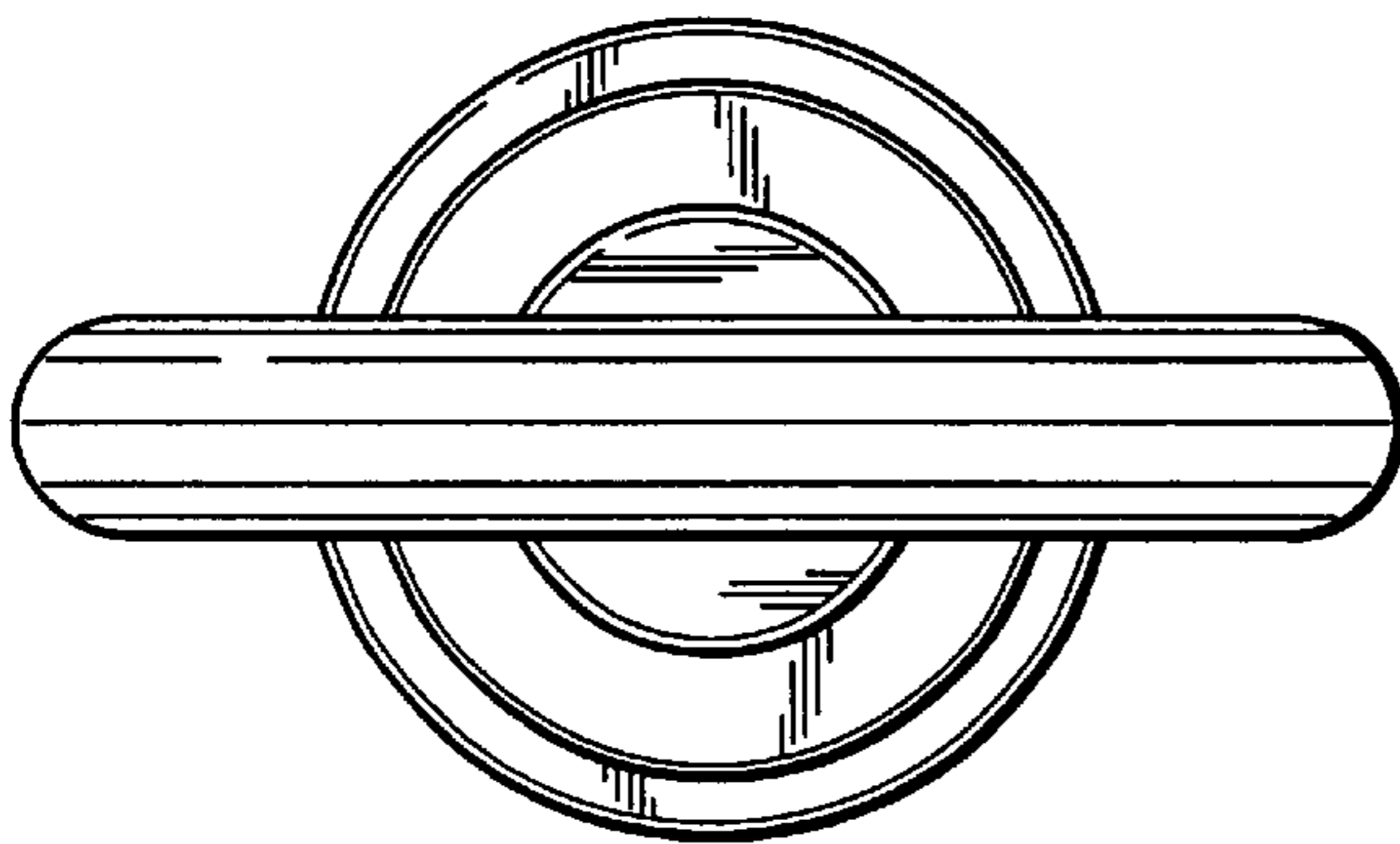


FIG. 3

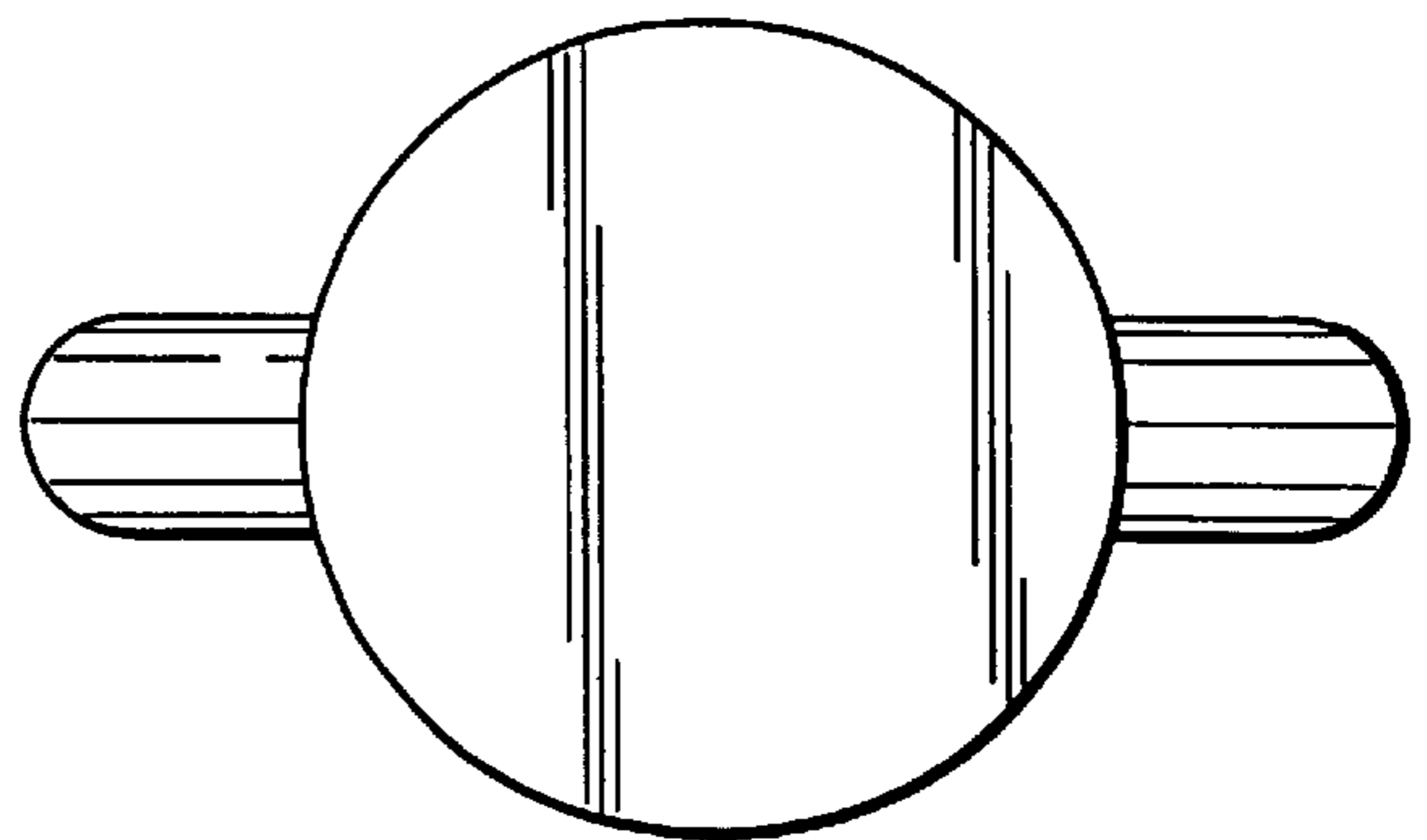


FIG. 4

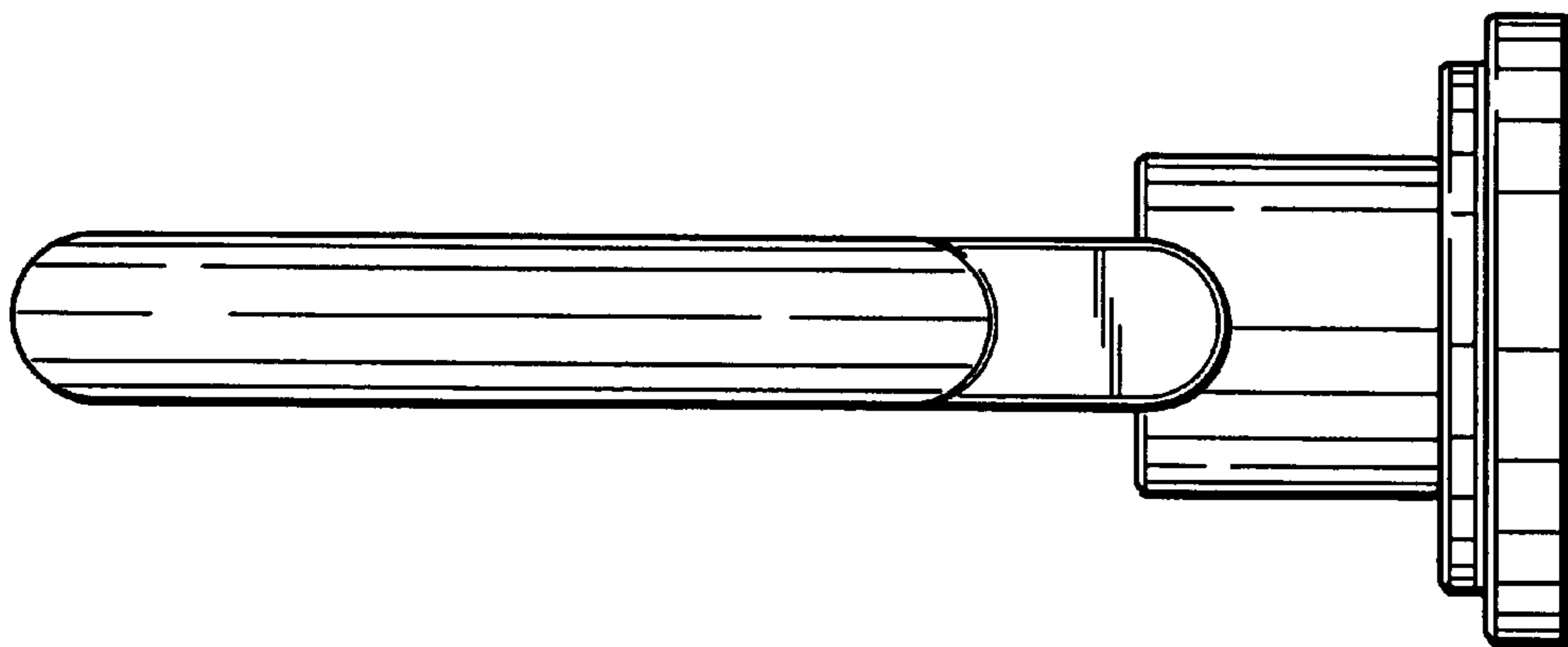
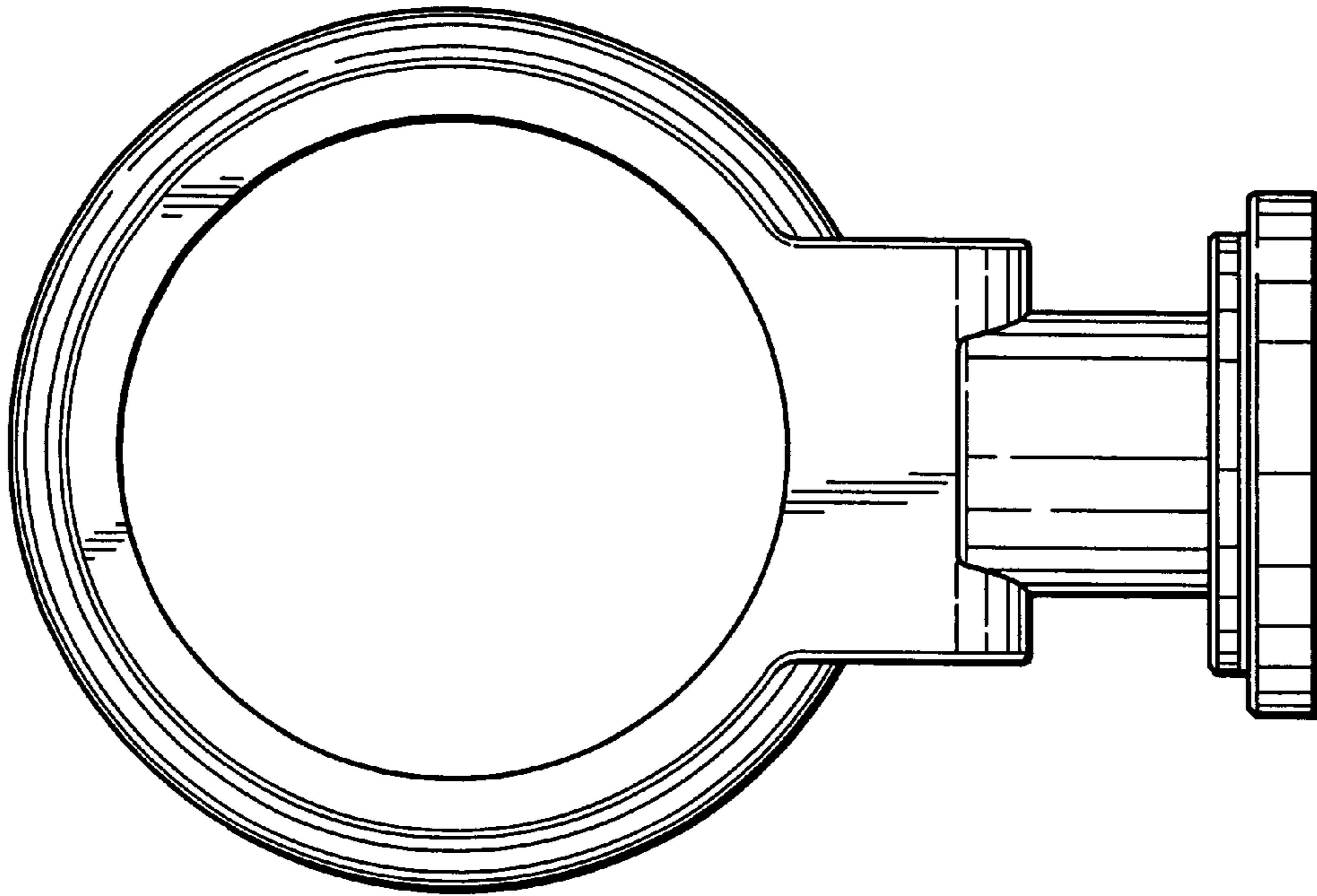


FIG. 5