



US00D451318B1

(12) **United States Design Patent**
Chi

(10) **Patent No.:** **US D451,318 S**

(45) **Date of Patent:** **** Dec. 4, 2001**

(54) **ARMREST**

(76) **Inventor:** **Ching-Hui Chi**, No. 24-2, Hsi Wei Street, San Chung City, Taipei Hsien (TW)

(**) **Term:** **14 Years**

(21) **Appl. No.:** **29/134,447**

(22) **Filed:** **Dec. 22, 2000**

(51) **LOC (7) Cl.** **06-06**

(52) **U.S. Cl.** **D6/501; D6/366**

(58) **Field of Search** D6/334, 335, 364, D6/365, 366, 367, 379, 500, 501, 502; 297/411.2, 411.28

(56) **References Cited**

U.S. PATENT DOCUMENTS

- D. 279,332 * 6/1985 Diffrient D6/379
- D. 382,149 * 8/1997 Pimental et al. D6/500
- D. 388,269 * 12/1997 Tedesco et al. D6/501
- D. 410,159 * 5/1999 Wu D6/501
- D. 437,498 * 2/2001 Hammer D6/366

D. 438,732 * 3/2001 Goodworth D6/501

* cited by examiner

Primary Examiner—Gary D. Watson

(74) *Attorney, Agent, or Firm*—Rosenberg, Klein & Lee

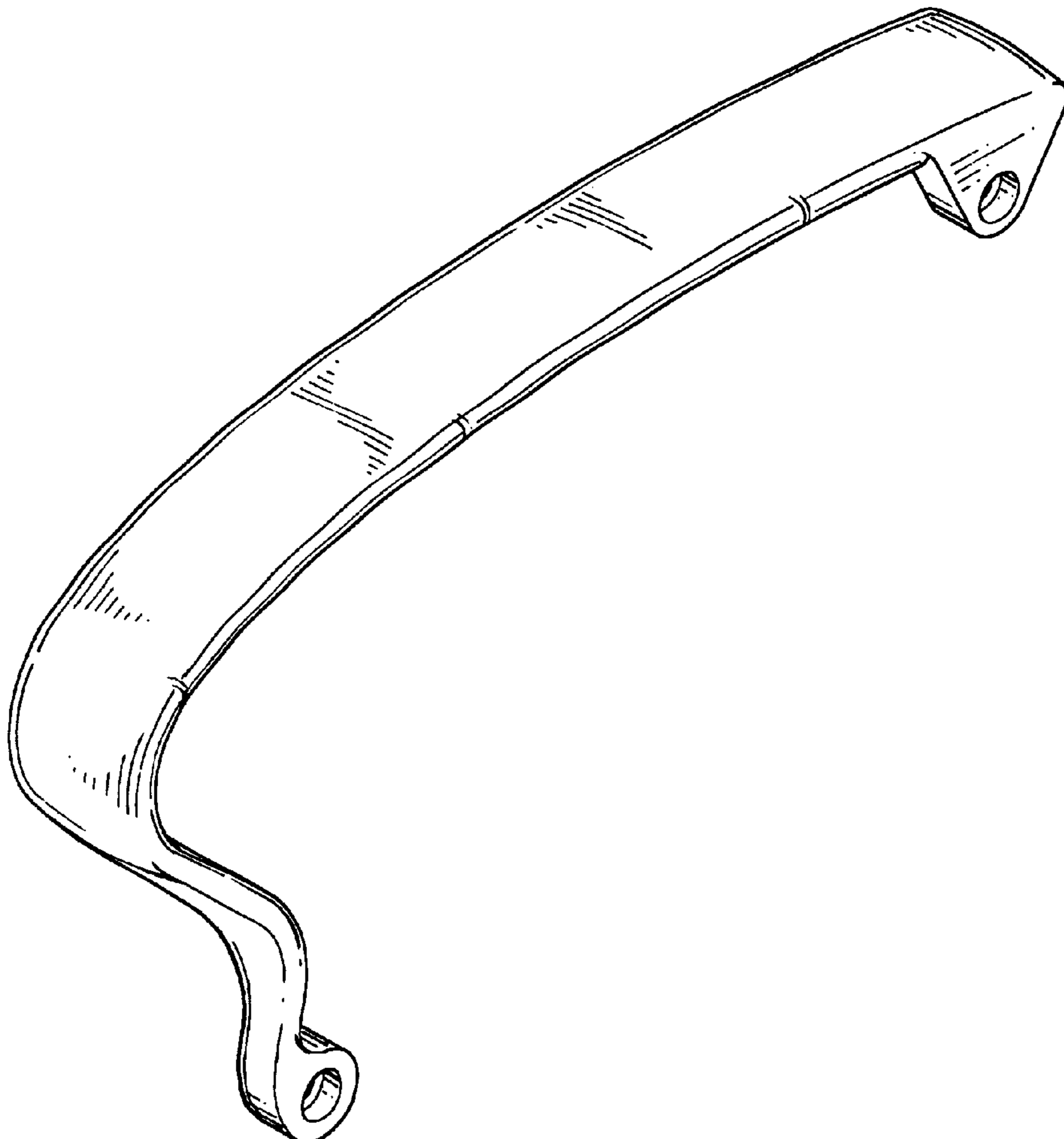
(57) **CLAIM**

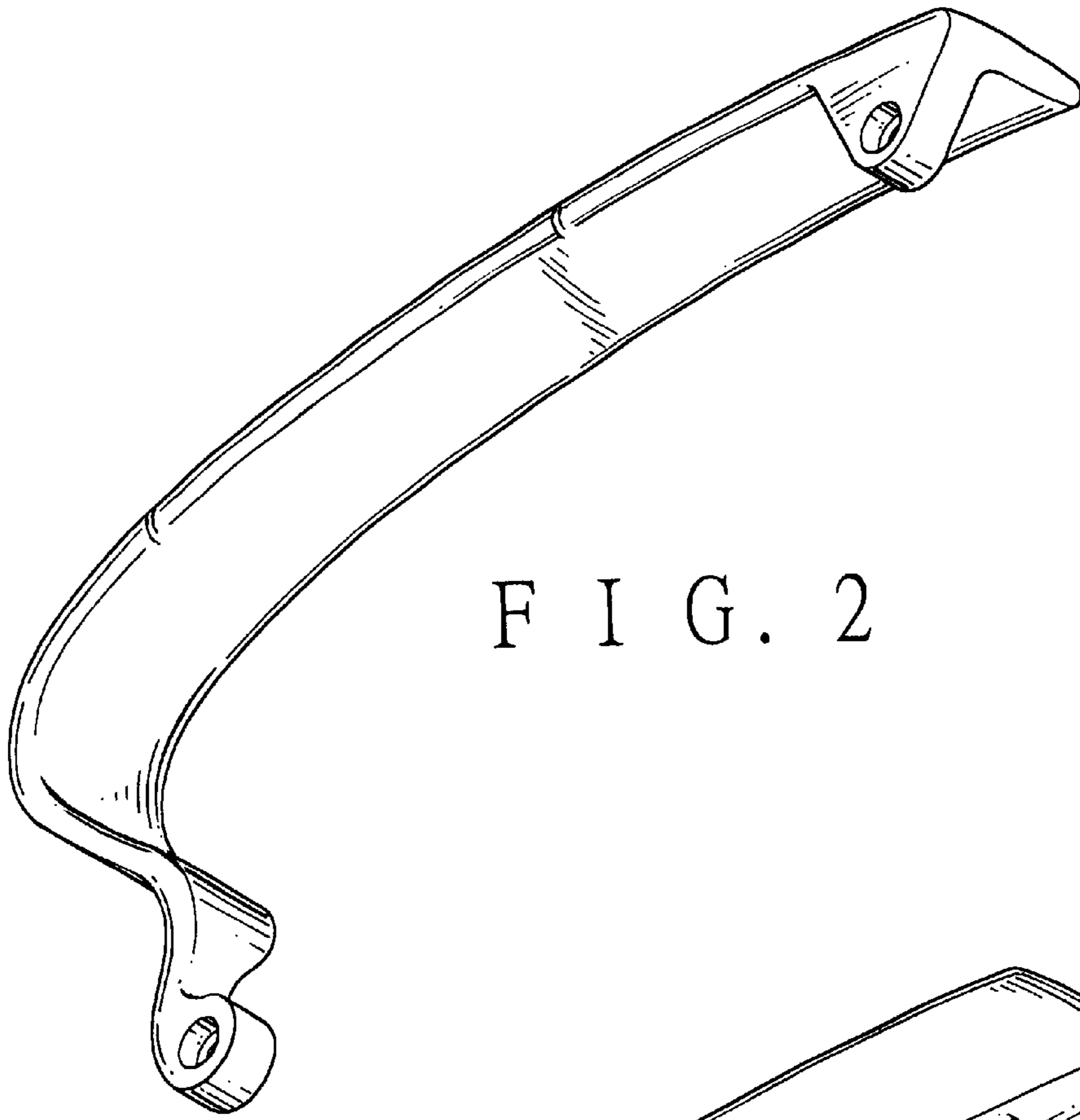
The ornamental design for an armrest, as shown and described.

DESCRIPTION

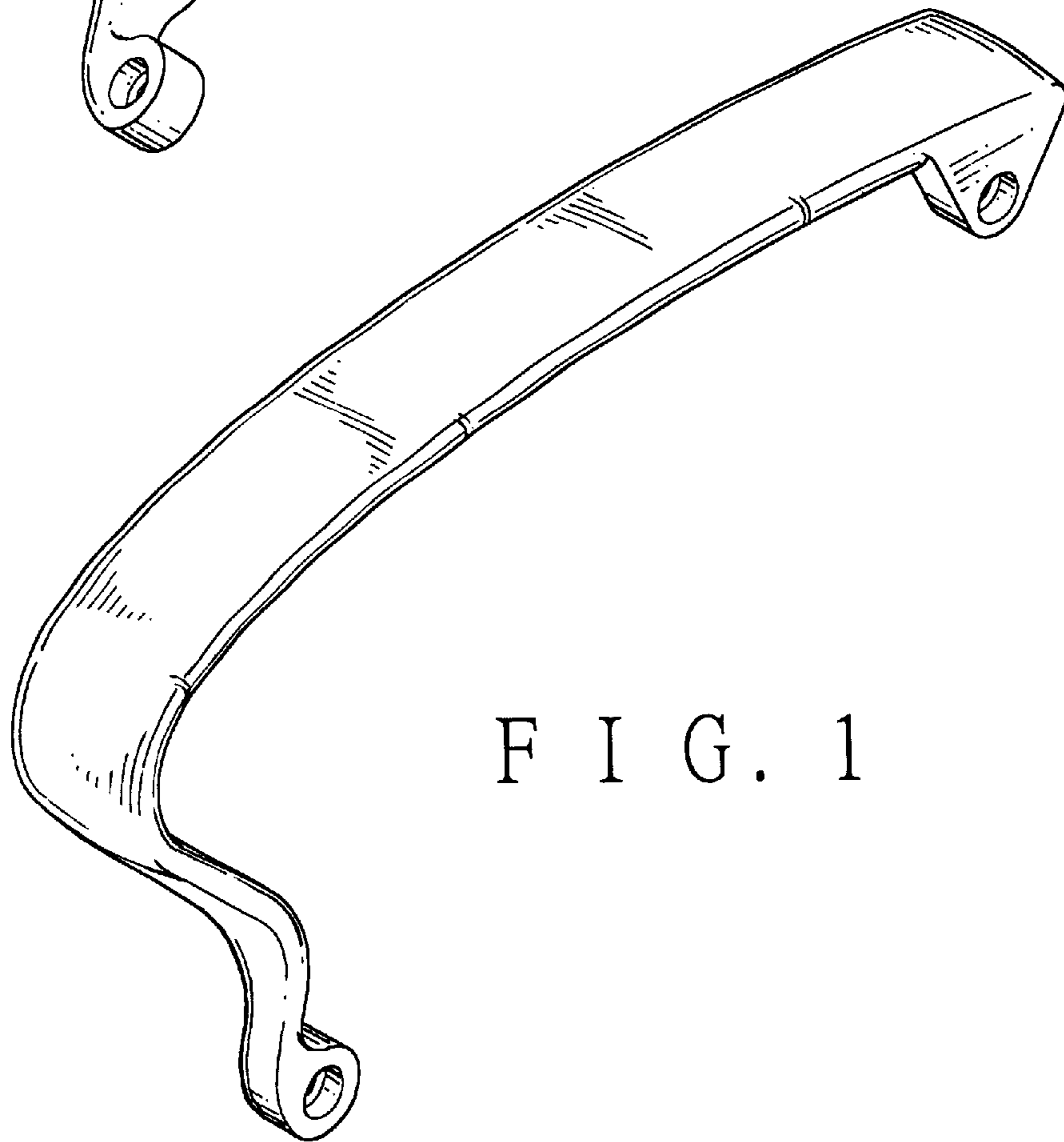
FIG. 1 is a perspective view of an armrest showing my new design;
 FIG. 2 is a bottom perspective view thereof;
 FIG. 3 is a front elevational view thereof;
 FIG. 4 is a rear elevational view thereof;
 FIG. 5 is a left side elevational view thereof;
 FIG. 6 is a right side elevational view thereof;
 FIG. 7 is a top plan view thereof;
 FIG. 8 is a bottom plan view thereof;
 FIG. 9 is a cross-sectional view taken along line 9—9 of FIG. 10; and,
 FIG. 10 is another right side elevational view thereof.

1 Claim, 4 Drawing Sheets





F I G . 2



F I G . 1

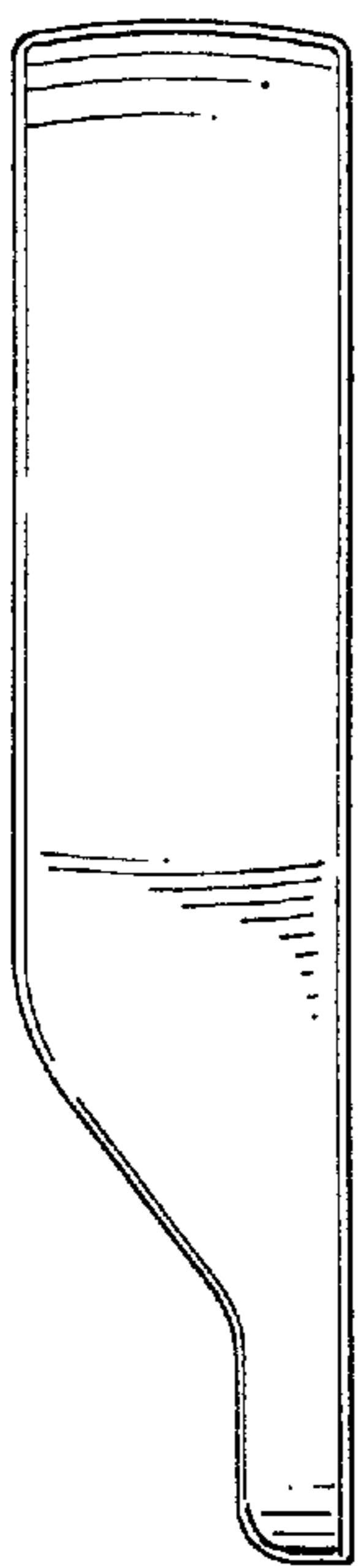


FIG. 3

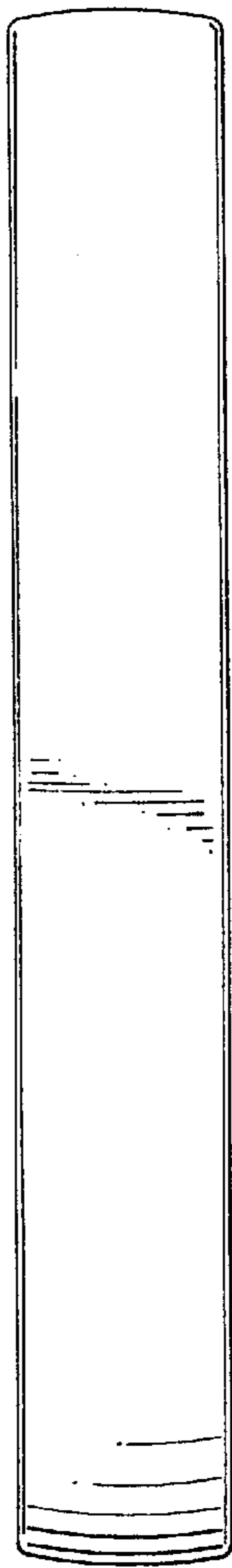


FIG. 7

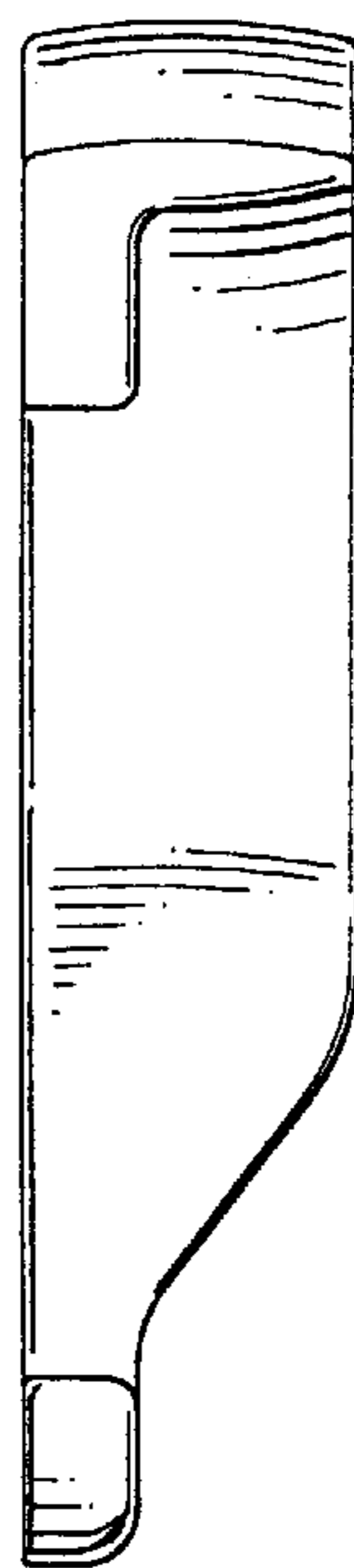


FIG. 4

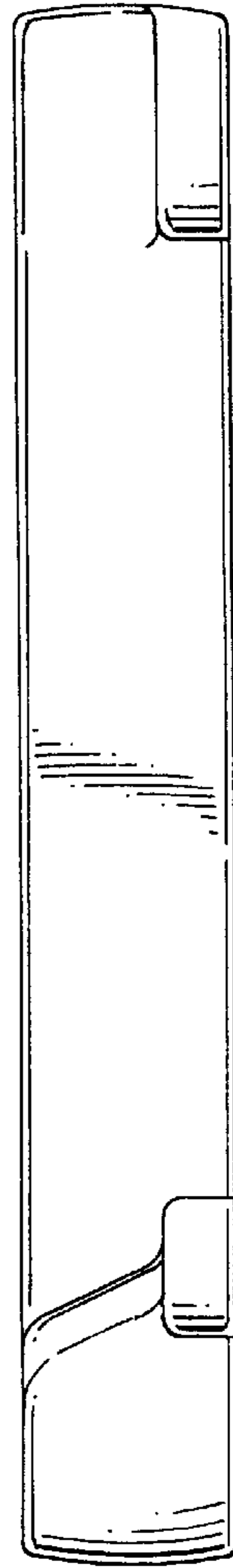


FIG. 8

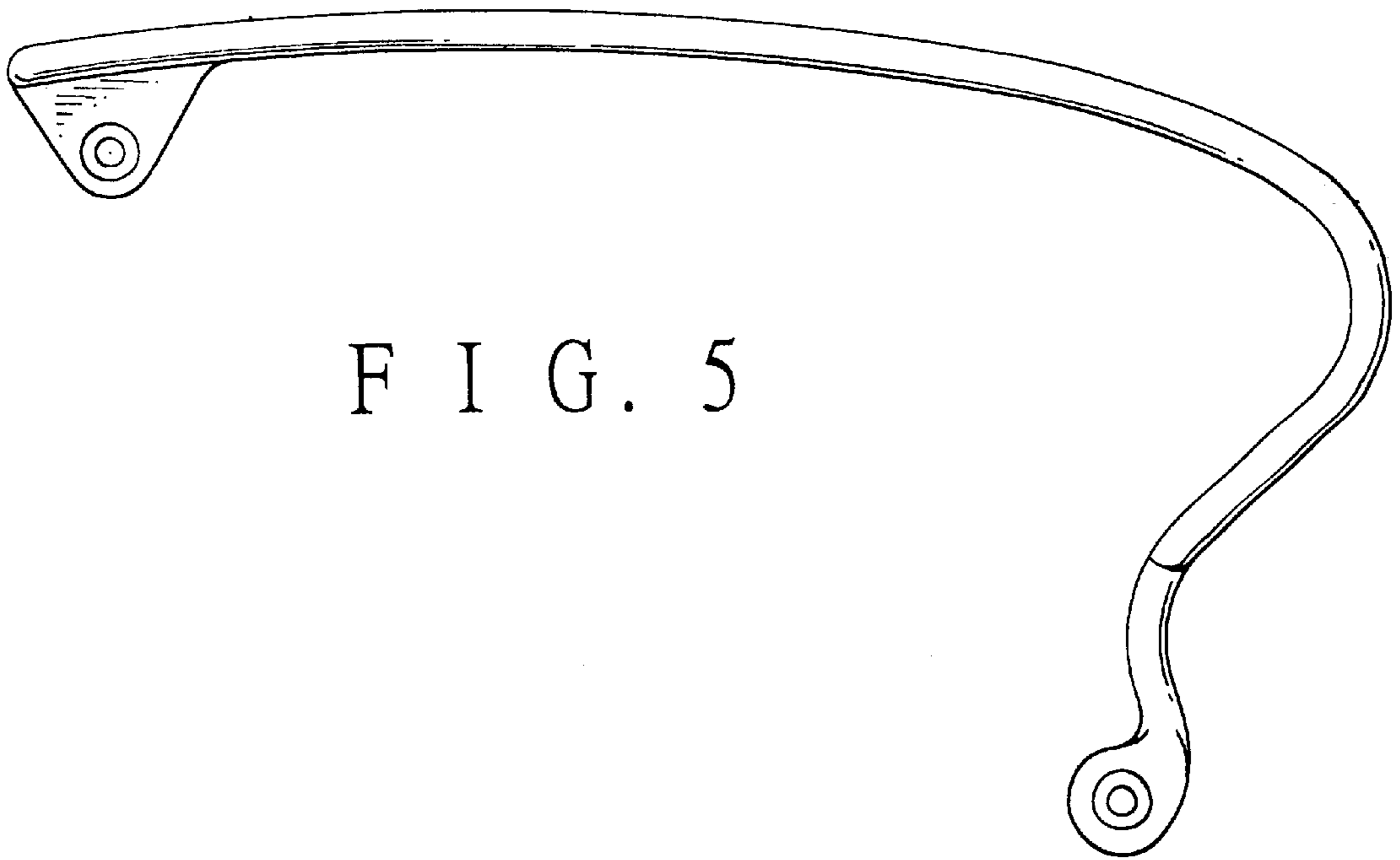


FIG. 5

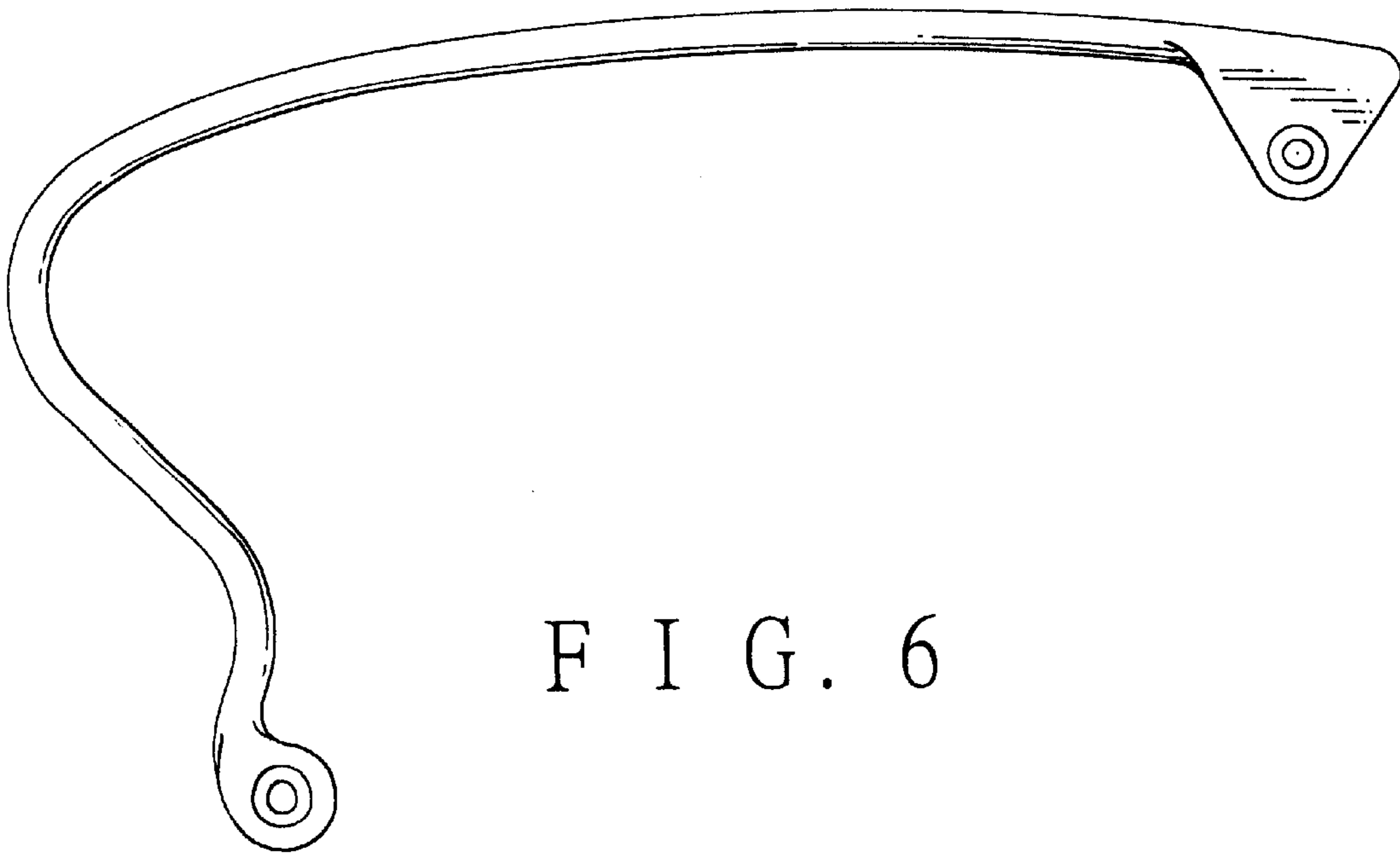
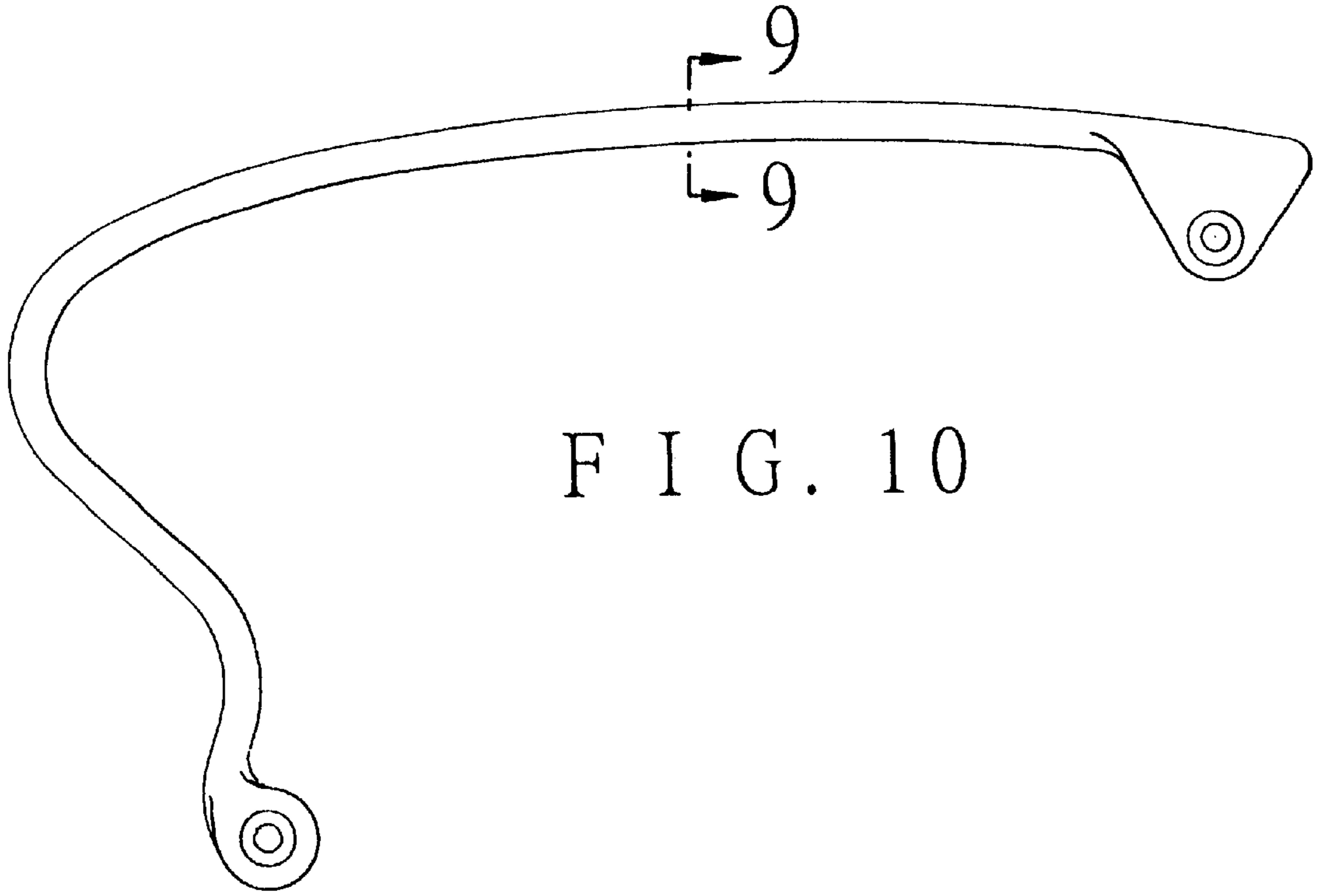
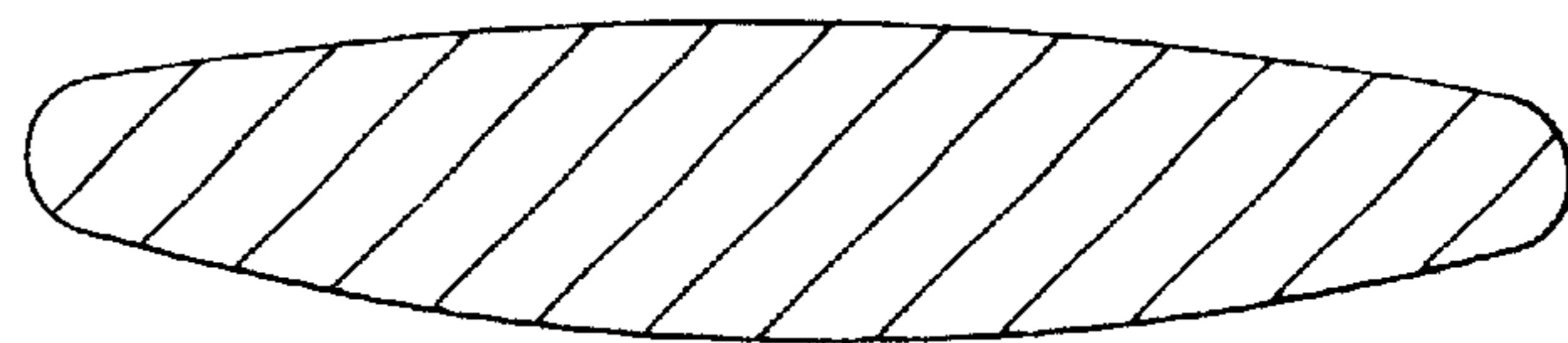


FIG. 6



F I G . 1 0



F I G . 9