



US00D451312B1

(12) **United States Design Patent**
Kain

(10) **Patent No.:** **US D451,312 S**

(45) **Date of Patent:** **** Dec. 4, 2001**

(54) **CARRYING HANDLE**

(75) **Inventor:** **James M. Kain, Troy, OH (US)**

(73) **Assignee:** **Cosco Management, Inc., Wilmington, DE (US)**

(**) **Term:** **14 Years**

(21) **Appl. No.:** **29/129,839**

(22) **Filed:** **Sep. 22, 2000**

(51) **LOC (7) Cl.** **06-01**

(52) **U.S. Cl.** **D6/500; D6/333**

(58) **Field of Search** **D6/333, 334, 335, D6/336, 390, 391, 491, 500-502; D3/213, 217; 297/183.1, 183.2, 183.3, 183.4, 183.6, 250.1, 256.13, 256.16; 294/140**

(56) **References Cited**

U.S. PATENT DOCUMENTS

D. 289,465	4/1987	Wise .	
D. 294,777	3/1988	Wise et al. .	
D. 311,822	11/1990	Meeker .	
D. 325,132	4/1992	Cone .	
D. 330,527	10/1992	Jones .	
D. 347,121	5/1994	Harper et al. .	
D. 347,737	6/1994	Allard et al. .	
D. 353,288	12/1994	Kain .	
D. 369,707	5/1996	Kain .	
D. 371,248	7/1996	Niessen et al. .	
D. 372,149 *	7/1996	Cone, II et al.	D6/491
D. 373,028	8/1996	Kain .	
D. 374,558	10/1996	Kain .	
D. 379,888	6/1997	Cone, II et al. .	
D. 402,124	12/1998	Haut et al. .	
D. 402,477	12/1998	Cone, III .	
D. 404,938	2/1999	Greger .	
D. 418,700	1/2000	Julien .	
D. 421,860	3/2000	Gibson et al. .	
D. 423,833	5/2000	Gregor et al. .	
D. 427,463	7/2000	Celestina-Krevh .	
D. 427,817	7/2000	Dierickx .	
D. 429,075	8/2000	Cone, II .	
4,371,206	2/1983	Johnson, Jr. .	

4,516,806	5/1985	McDonald et al. .
4,634,175	1/1987	Wise .
4,634,177	1/1987	Meeker .
4,664,396	5/1987	Pietrafesa .
4,688,850	8/1987	Brownlie et al. .
4,744,599	5/1988	Jankowski et al. .
4,943,113	7/1990	Meeker .
4,958,887	9/1990	Meeker .
4,982,997	1/1991	Knoedler et al. .
4,986,599	1/1991	Wise .
4,997,231	3/1991	Smith .
4,998,307	3/1991	Cone .
5,011,221	4/1991	Wise .
5,074,616	12/1991	Smith .
5,115,523	5/1992	Cone .
5,143,419	9/1992	Tepper et al. .
5,207,476	5/1993	Payne .
5,244,292	9/1993	Wise .
5,322,343	6/1994	Parker et al. .
5,324,094	6/1994	Kain .
5,385,387	1/1995	Kain .
5,409,292	4/1995	Kain et al. .
5,478,135	12/1995	Kain .
5,516,190	5/1996	Kain et al. .
5,522,639	6/1996	Jaime .
5,540,365	7/1996	LaMair .

(List continued on next page.)

Primary Examiner—Doris V. Coles

Assistant Examiner—Mimosa De

(74) *Attorney, Agent, or Firm*—Barnes & Thornburg

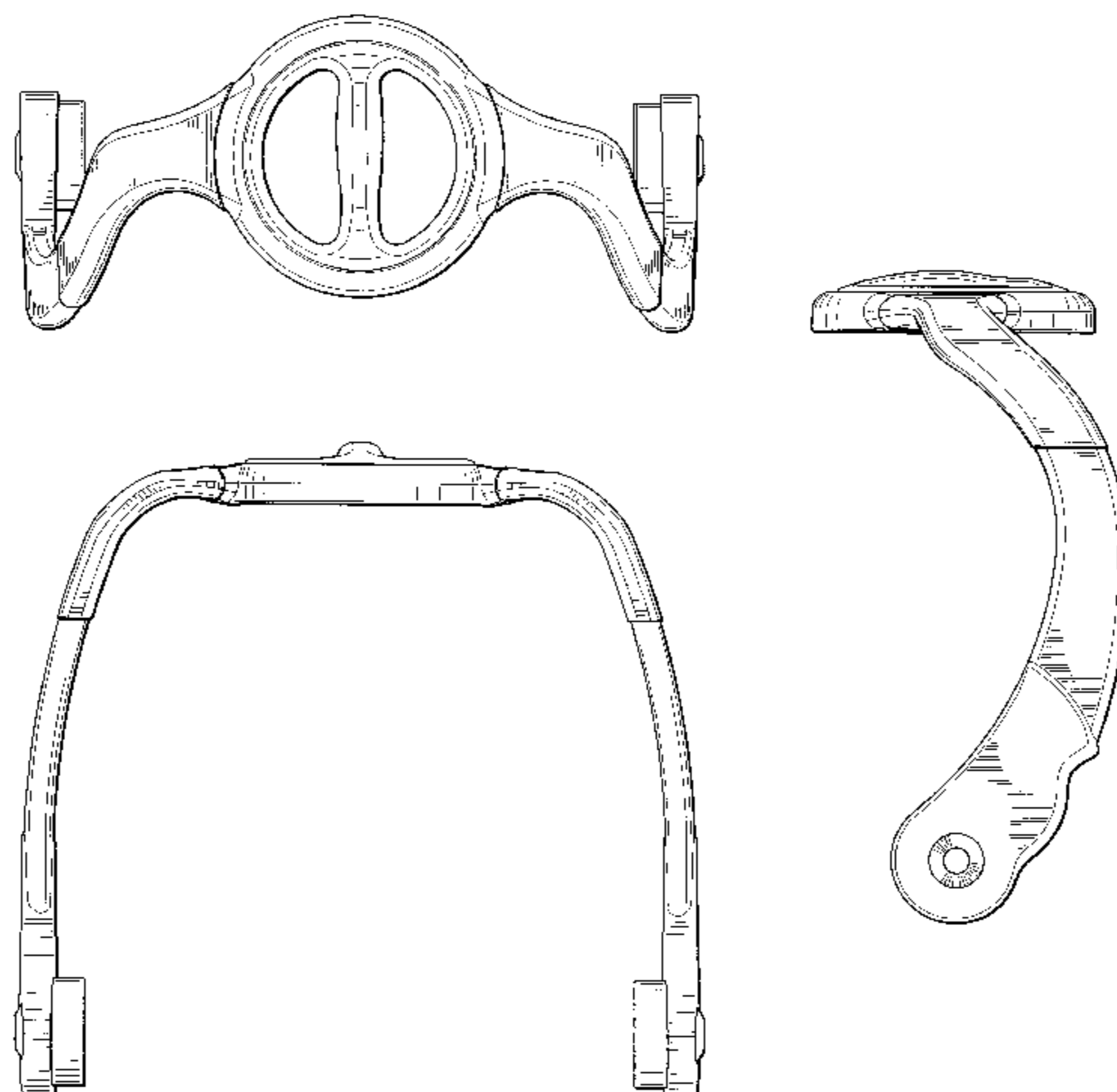
(57) **CLAIM**

The ornamental design for a carrying handle, as shown and described.

DESCRIPTION

FIG. 1 is a top plan view of a carrying handle showing my new design;
FIG. 2 is a front elevational view thereof;
FIG. 3 is a bottom view thereof;
FIG. 4 is a rear elevational view thereof;
FIG. 5 is a left-side elevational view thereof; and,
FIG. 6 is a right-side elevational view thereof.

1 Claim, 3 Drawing Sheets



US D451,312 S

Page 2

U.S. PATENT DOCUMENTS

5,544,935	*	8/1996	Cone, II et al.	297/183.2	5,806,924	9/1998	Gonas .
5,567,008		10/1996	Cone, II .		5,863,097	1/1999	Harper et al. .
5,575,530		11/1996	Harper et al. .		5,887,950	3/1999	Kuo .
5,581,234		12/1996	Emery et al. .		5,927,661	7/1999	Tinsley et al. .
5,625,956		5/1997	Cone, II et al. .		5,947,555	9/1999	Welsh, Jr. et al. .
5,658,044		8/1997	Krevh .		5,961,180	10/1999	Greger et al. .
5,660,430		8/1997	Clarke .		5,971,476	10/1999	Gibson et al. .
5,765,893		6/1998	Ziegler .		6,017,088	1/2000	Stephens et al. .
5,772,279		6/1998	Johnson, Jr. .		6,070,890	6/2000	Haut et al. .
5,803,535		9/1998	Jane Cabagnero .				

* cited by examiner

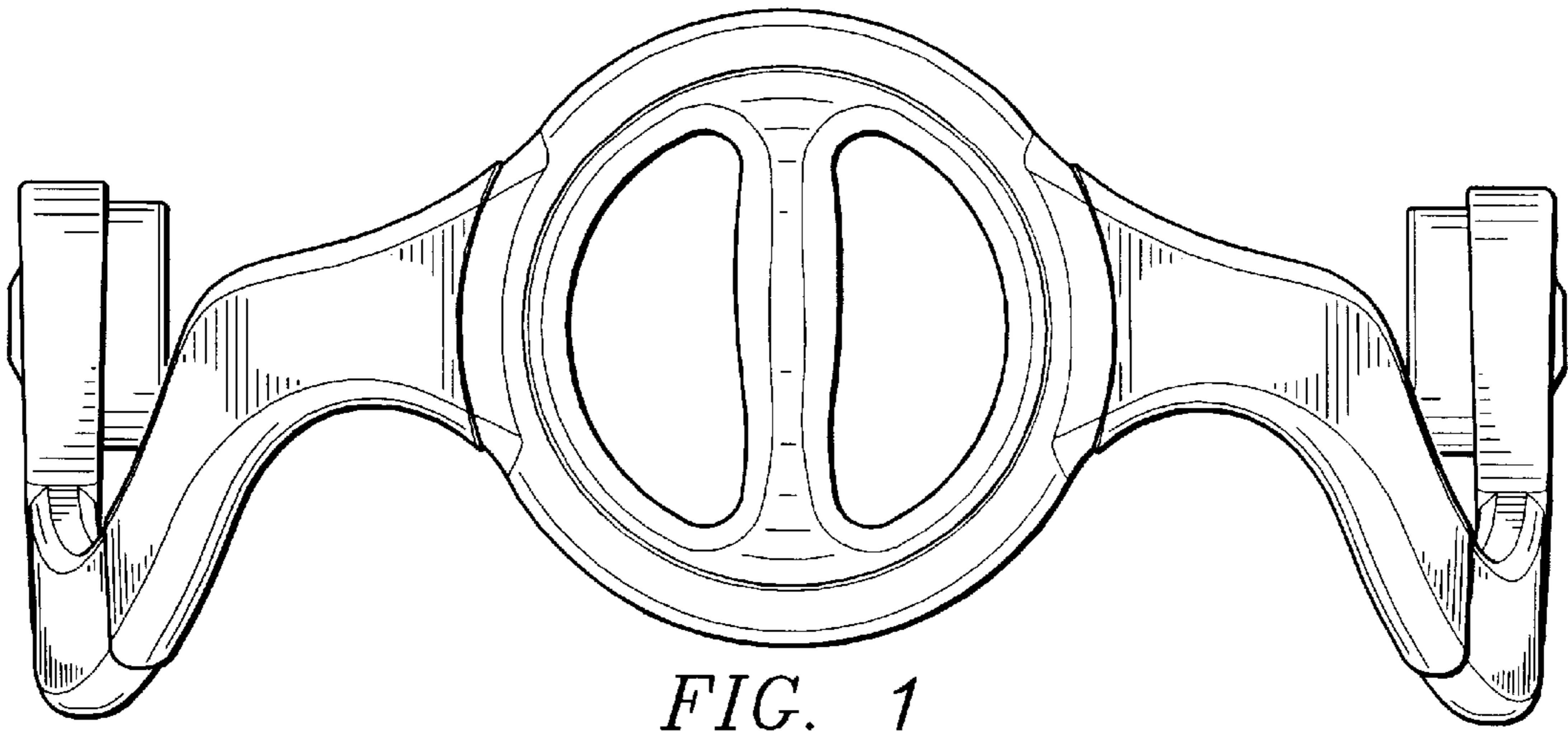


FIG. 1

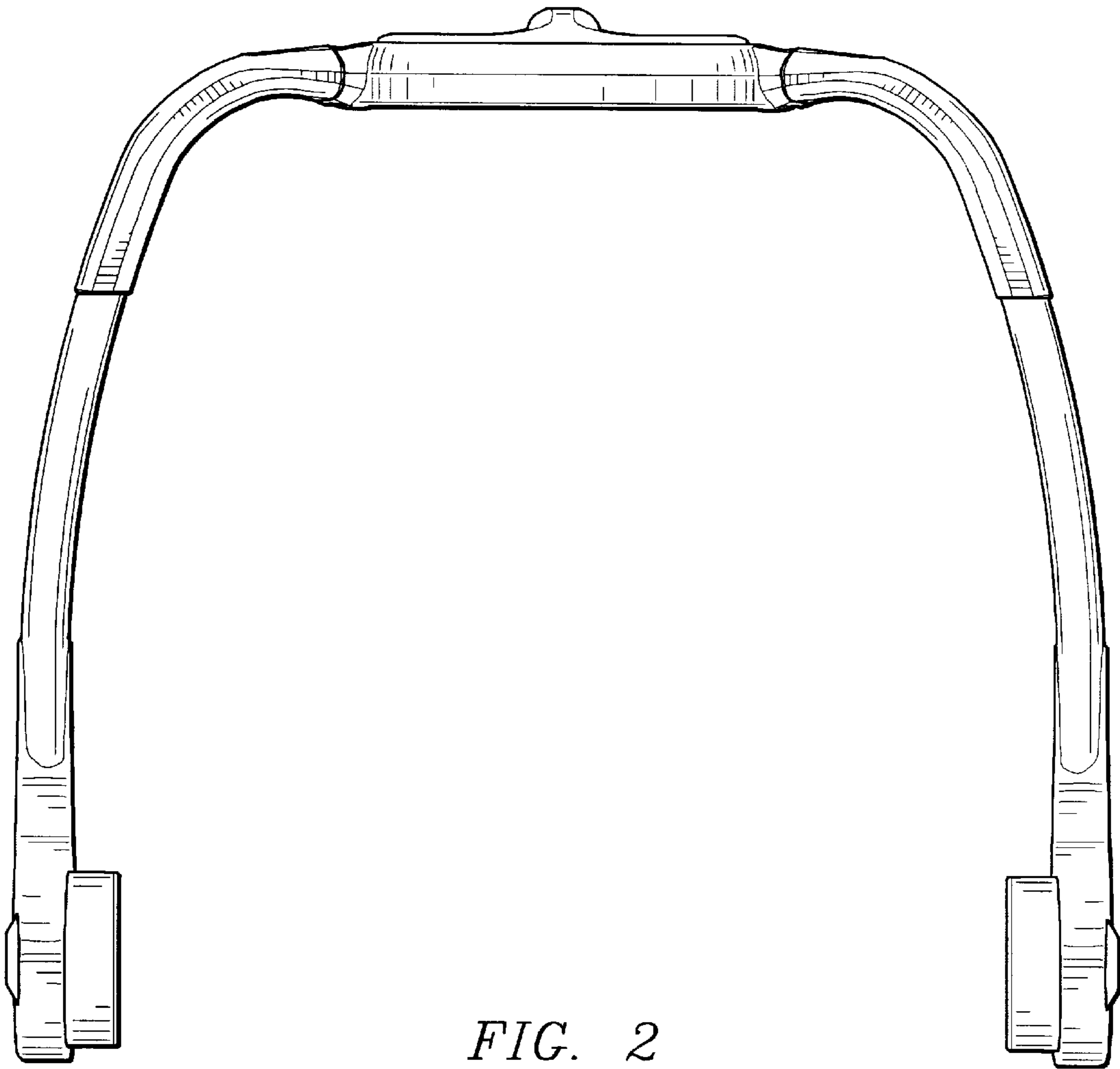


FIG. 2

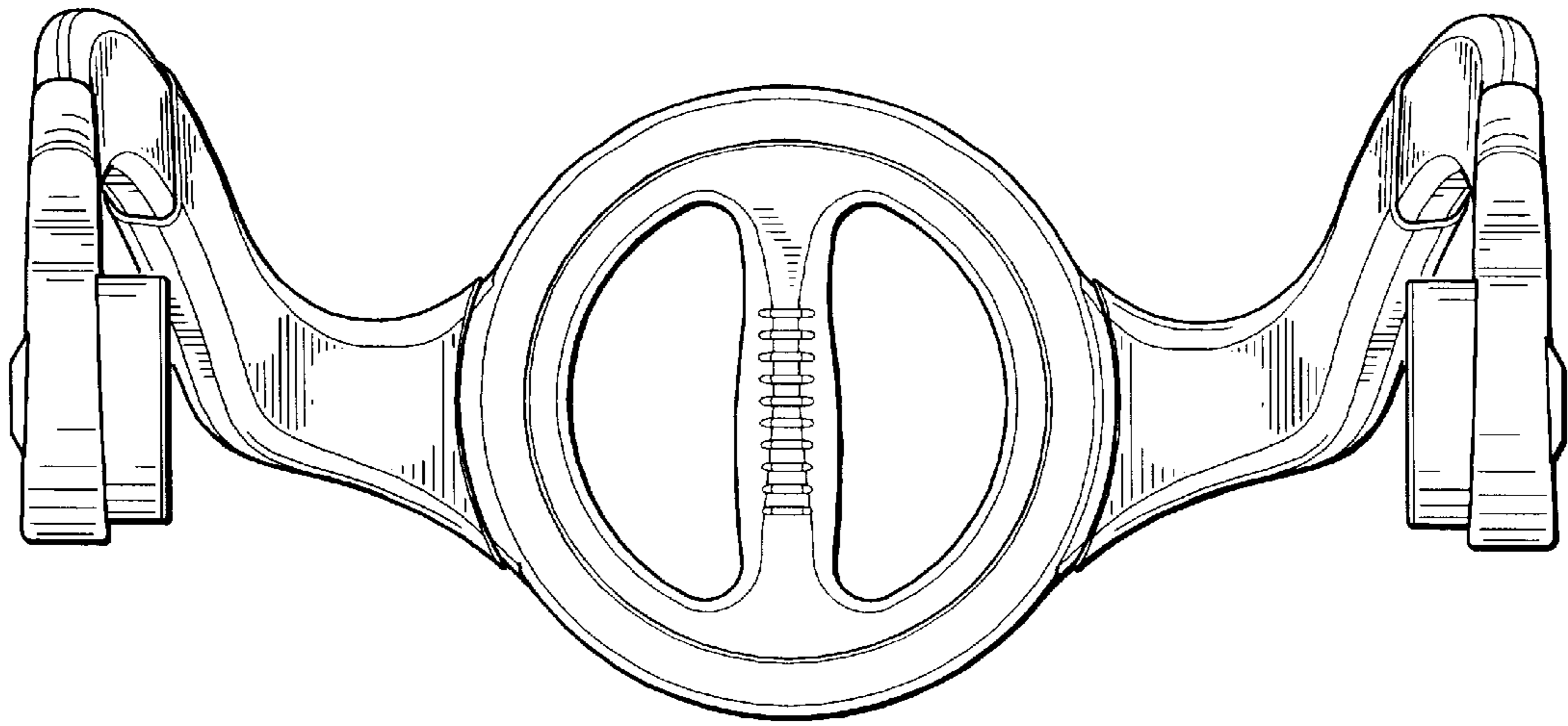


FIG. 3

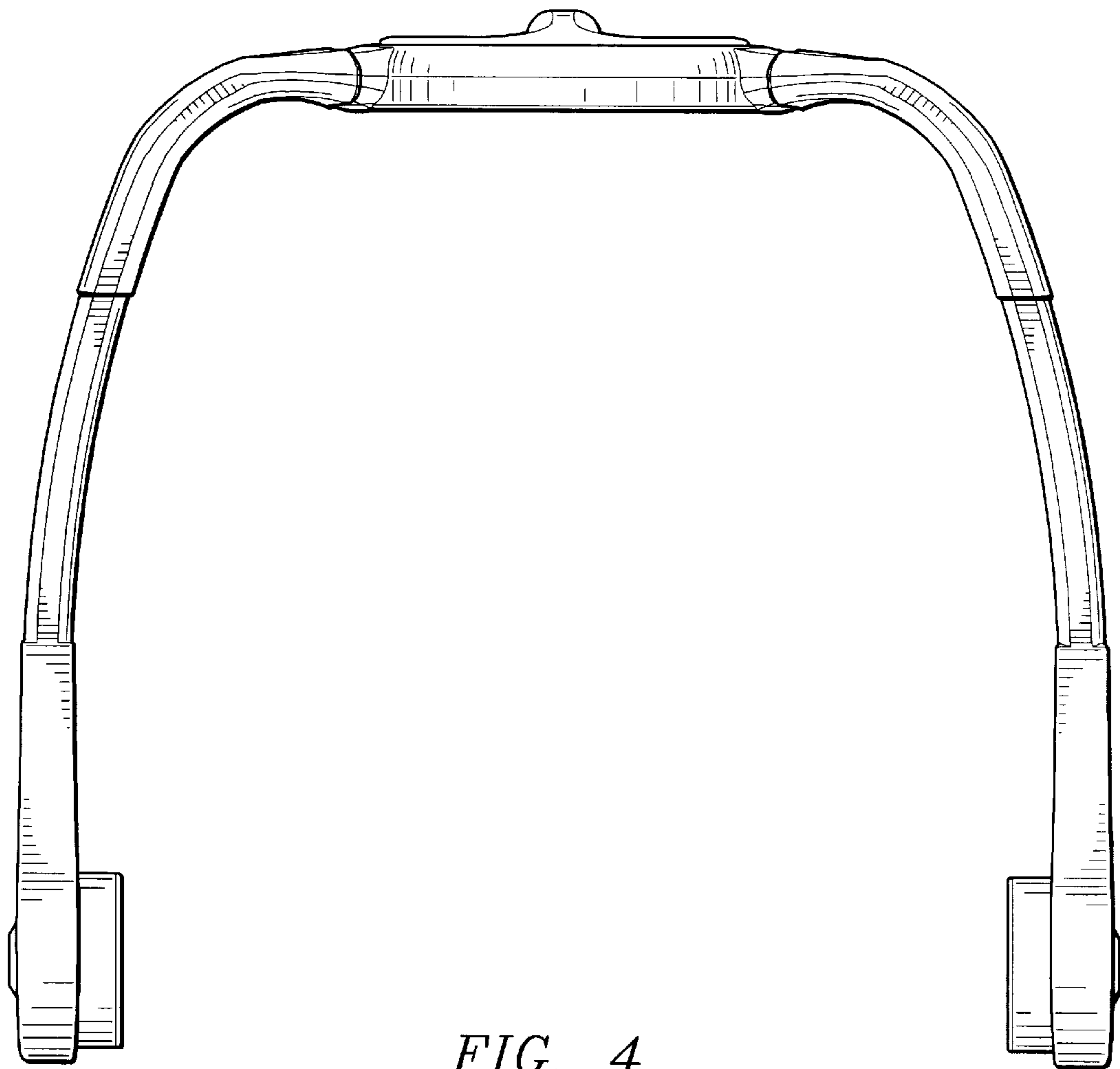


FIG. 4

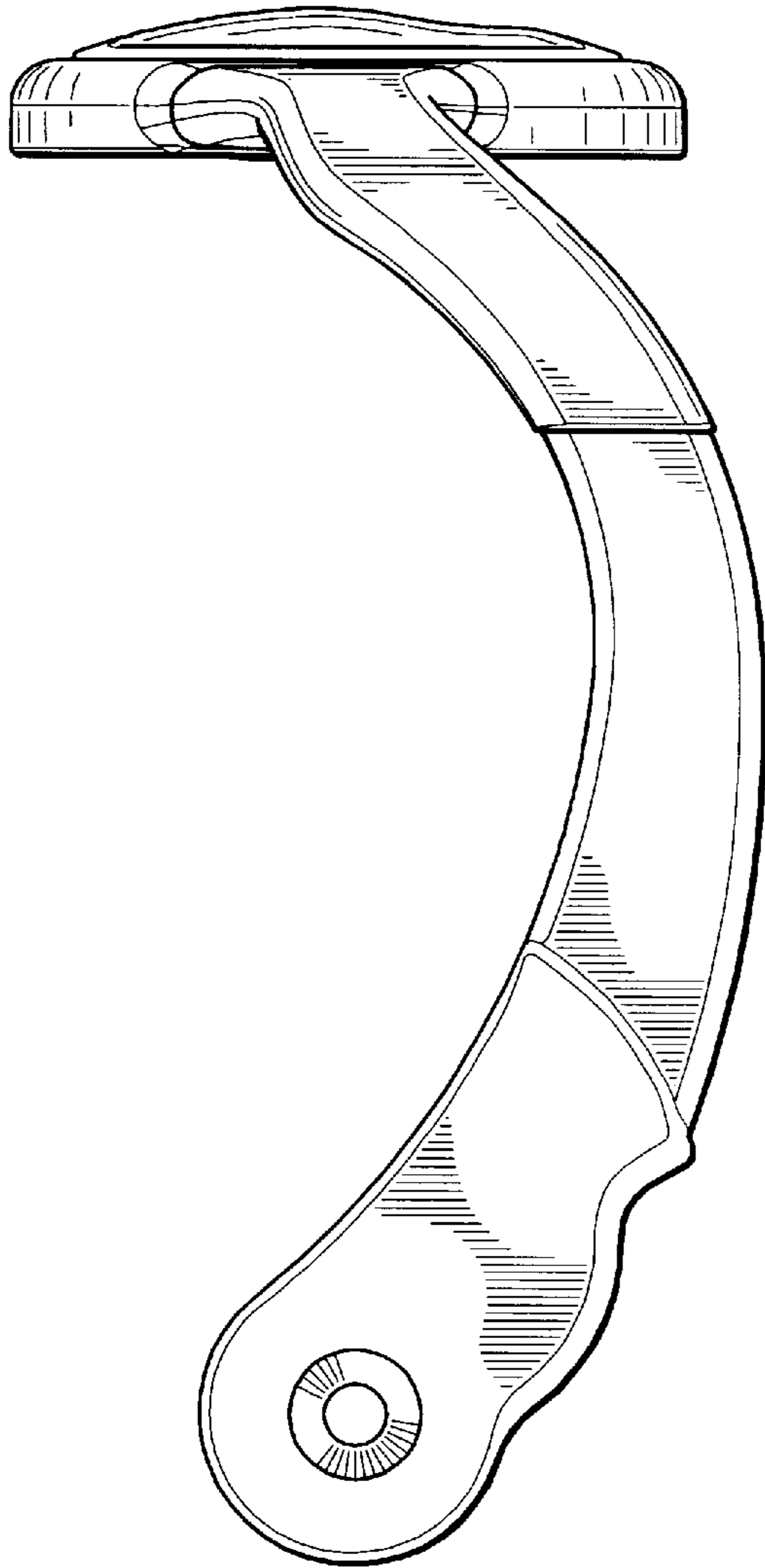


FIG. 5

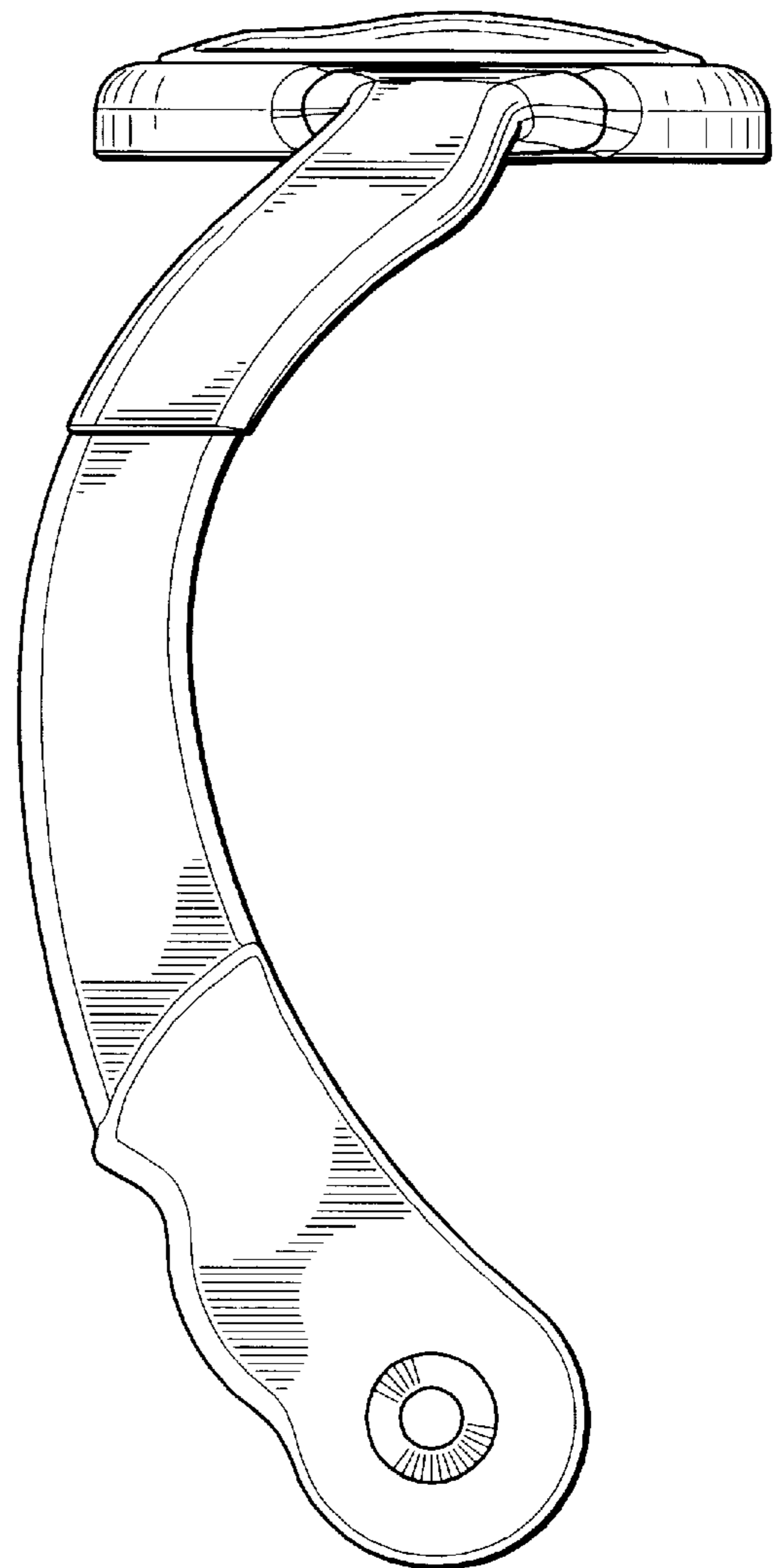


FIG. 6