



US00D451311B1

(12) **United States Design Patent**
Dion

(10) **Patent No.:** **US D451,311 S**

(45) **Date of Patent:** **** Dec. 4, 2001**

- (54) **SUPPORT FOR PALLET RACKS**
- (75) Inventor: **Dany Dion**, La Plaine (CA)
- (73) Assignee: **Damotech Inc.**, Boisbriand (CA)
- (**) Term: **14 Years**
- (21) Appl. No.: **29/127,885**
- (22) Filed: **Aug. 11, 2000**
- (51) **LOC (7) Cl.** **06-06**
- (52) **U.S. Cl.** **D6/499; D34/38**
- (58) **Field of Search** **D34/28, 38; D6/431, D6/499, 495; 248/346.01, 678, 499; 211/186, 189; 108/51.11, 57.16, 53.5, 55.1**

5,520,292	*	5/1996	Lombardi	211/189
5,535,898	*	7/1996	Burgess, Sr. et al.	211/189
5,644,992	*	7/1997	Clive-Smith	108/55.1
5,875,828	*	3/1999	Quiram et al.	248/678
5,967,728	*	10/1999	Gales et al.	211/186
6,050,428	*	4/2000	Hollander	211/186
6,123,208	*	9/2000	Haenszel	108/55.1
6,202,569	*	3/2001	Bailey et al.	108/53.5
6,237,783	*	5/2001	Sagawa	211/189

* cited by examiner

Primary Examiner—Cynthia E. Ramirez
(74) *Attorney, Agent, or Firm*—Eric Fincham

(57) **CLAIM**

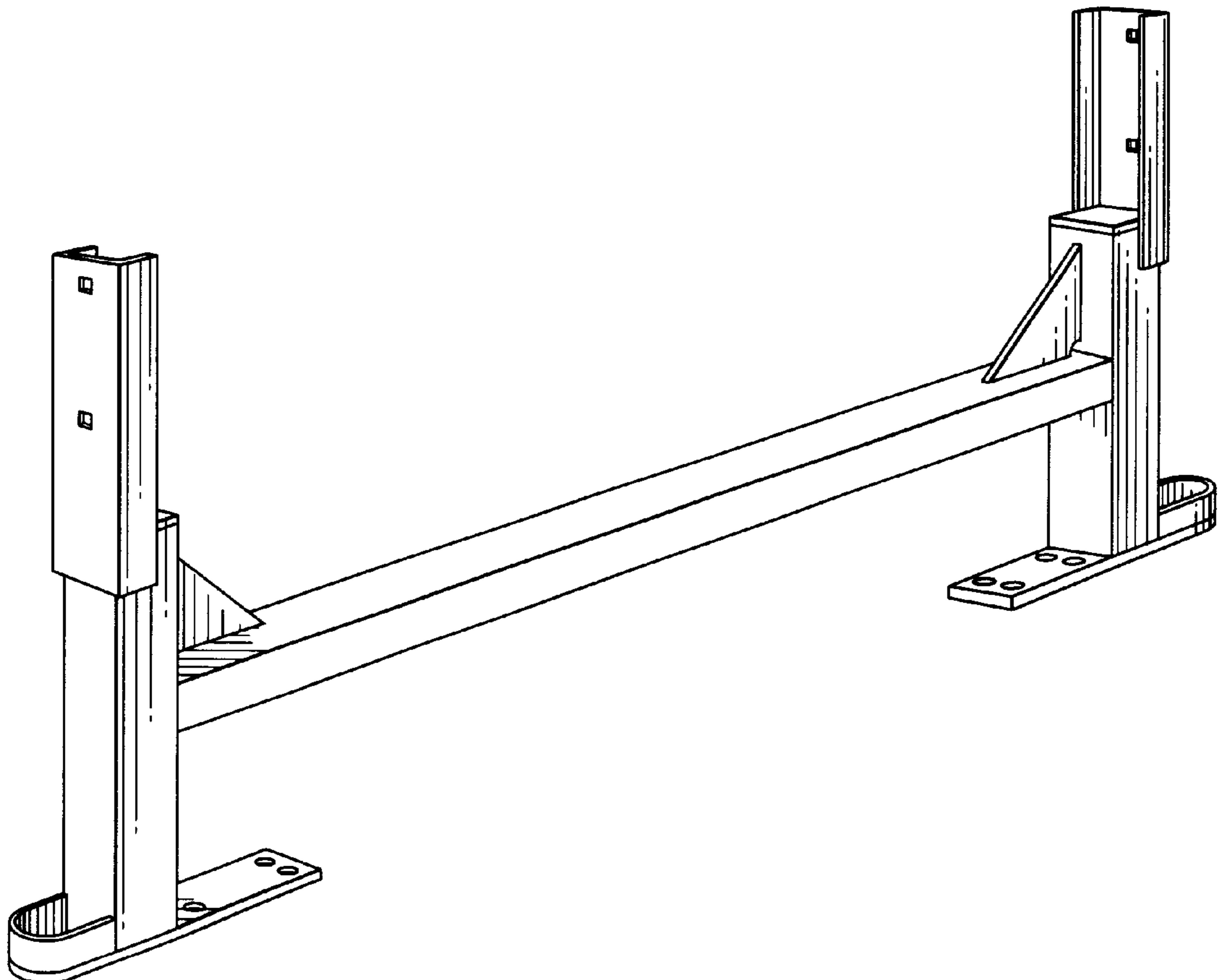
An ornamental design for a support for pallet racks, as shown and described.

- (56) **References Cited**
- U.S. PATENT DOCUMENTS**
- D. 442,759 * 5/2001 Bowman et al. D34/38
- 2,589,269 * 3/1952 Magnuson et al. 211/186
- 2,699,911 * 1/1955 Chase et al. 211/189
- 3,998,169 * 12/1976 Koch 108/51.11
- 4,032,165 * 6/1977 Russell 211/189
- 4,778,066 * 10/1988 Stjernberg 211/186
- 4,896,778 * 1/1990 Ferdinand et al. 211/189
- 5,269,112 * 12/1993 Weinrub et al. 211/189

DESCRIPTION

FIG. 1 is a perspective view of the support for pallet racks; FIG. 2 is a front elevational view thereof with a rear view being a mirror image; FIG. 3 is an end elevational view as seen from the left hand side of FIG. 2 with the end elevational view from the right hand side of FIG. 2 being a mirror image thereof; and, FIG. 4 is a top plan view thereof.

1 Claim, 2 Drawing Sheets



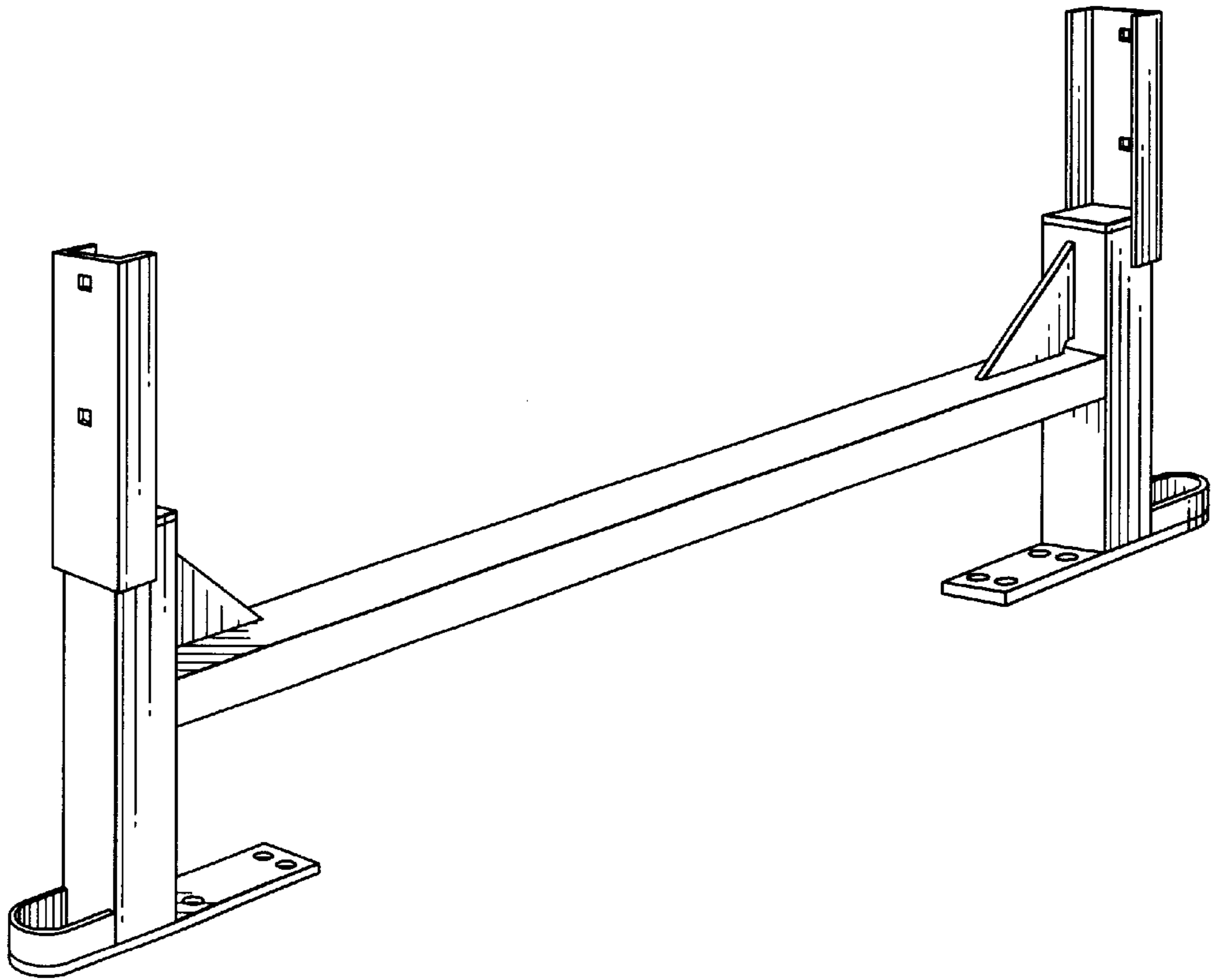


Fig. 1

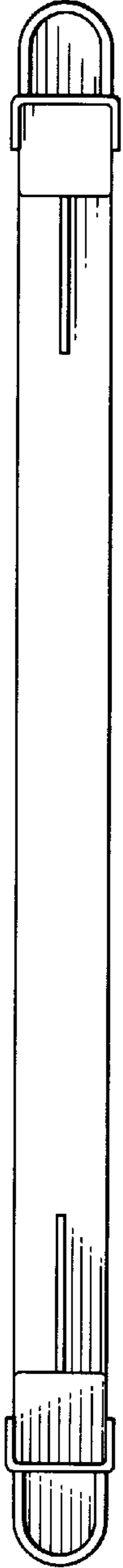


Fig. 4

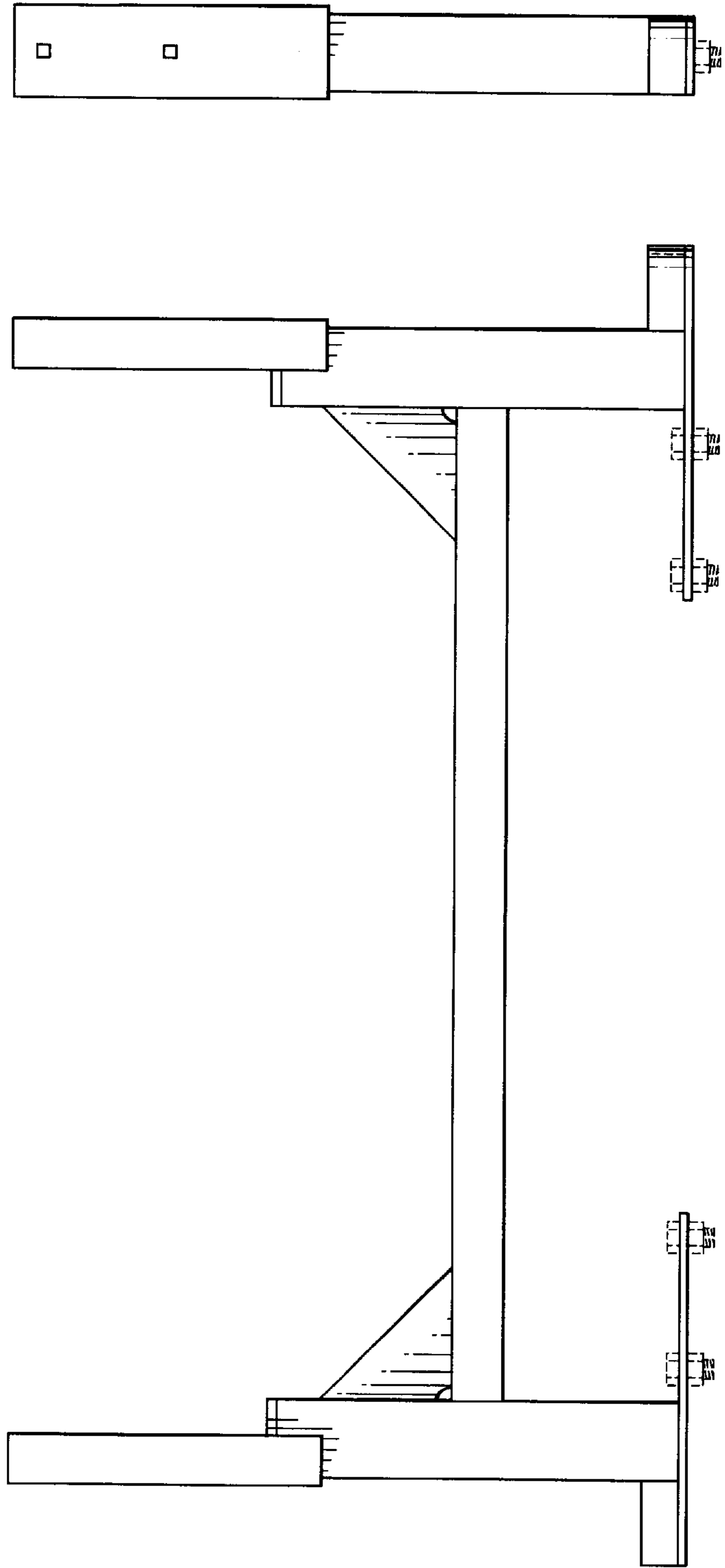


Fig. 2

Fig. 3