



US00D451310B1

(12) **United States Design Patent**
Schwartz et al.

(10) **Patent No.: US D451,310 S**

(45) **Date of Patent: ** Dec. 4, 2001**

- (54) **TABLE BASE**
- (75) **Inventors: David L. Schwartz; John E. Reinsch,**
both of Florence, AL (US)
- (73) **Assignee: HON Technology Inc., Muscatine, IA**
(US)
- (**) **Term: 14 Years**
- (21) **Appl. No.: 29/099,700**
- (22) **Filed: Jan. 27, 1999**
(Under 37 CFR 1.47)

- 3,994,461 11/1976 Dorantes .
- 4,043,278 8/1977 Kessler et al. .
- 4,599,950 7/1986 Evans .
- 4,760,802 8/1988 Leong .
- 4,789,122 12/1988 Gutgsell .
- 4,807,838 2/1989 Anderson .
- 4,929,021 5/1990 Kaye .
- 5,026,010 6/1991 Camarota .
- 5,146,855 9/1992 Morgan .
- 5,171,060 12/1992 Kaye .
- 5,353,716 10/1994 Wilbert .
- 5,383,635 1/1995 Barone .
- 5,560,303 10/1996 Severin .
- 5,577,344 11/1996 Zarembo et al. .

- (51) **LOC (7) Cl. 06-06**
- (52) **U.S. Cl. D6/495**
- (58) **Field of Search D6/480-489, 495,**
D6/496, 429; 108/150, 153.1, 155, 156,
157.1, 161; 248/188, 188.1, 188.8

OTHER PUBLICATIONS

Thomasville, Founder's Collection, Jun. 1986, table base at bottom of page.*

* cited by examiner

Primary Examiner—Janice E. Seeger

(74) *Attorney, Agent, or Firm*—Jones, Day, Reavis & Pogue

(56) **References Cited**

U.S. PATENT DOCUMENTS

- D. 62,335 5/1923 Nutrizio .
- D. 74,396 2/1928 Singer .
- D. 93,968 12/1934 Brower .
- D. 165,829 2/1952 Dorr, Jr. .
- D. 280,580 9/1985 Appel et al. .
- D. 290,796 7/1987 Becker .
- D. 291,394 8/1987 Dunwell .
- D. 306,107 2/1990 Grosfillex .
- D. 329,767 9/1992 White .
- D. 338,359 8/1993 Sorenson .
- D. 346,713 * 5/1994 Ferguson D6/451
- D. 349,415 * 8/1994 Peterson D6/480
- D. 372,818 8/1996 Snell .
- D. 376,935 12/1996 Nourse .
- 3,756,169 9/1973 Dybvig .

(57) **CLAIM**

The ornamental design for a table base, as shown and described.

DESCRIPTION

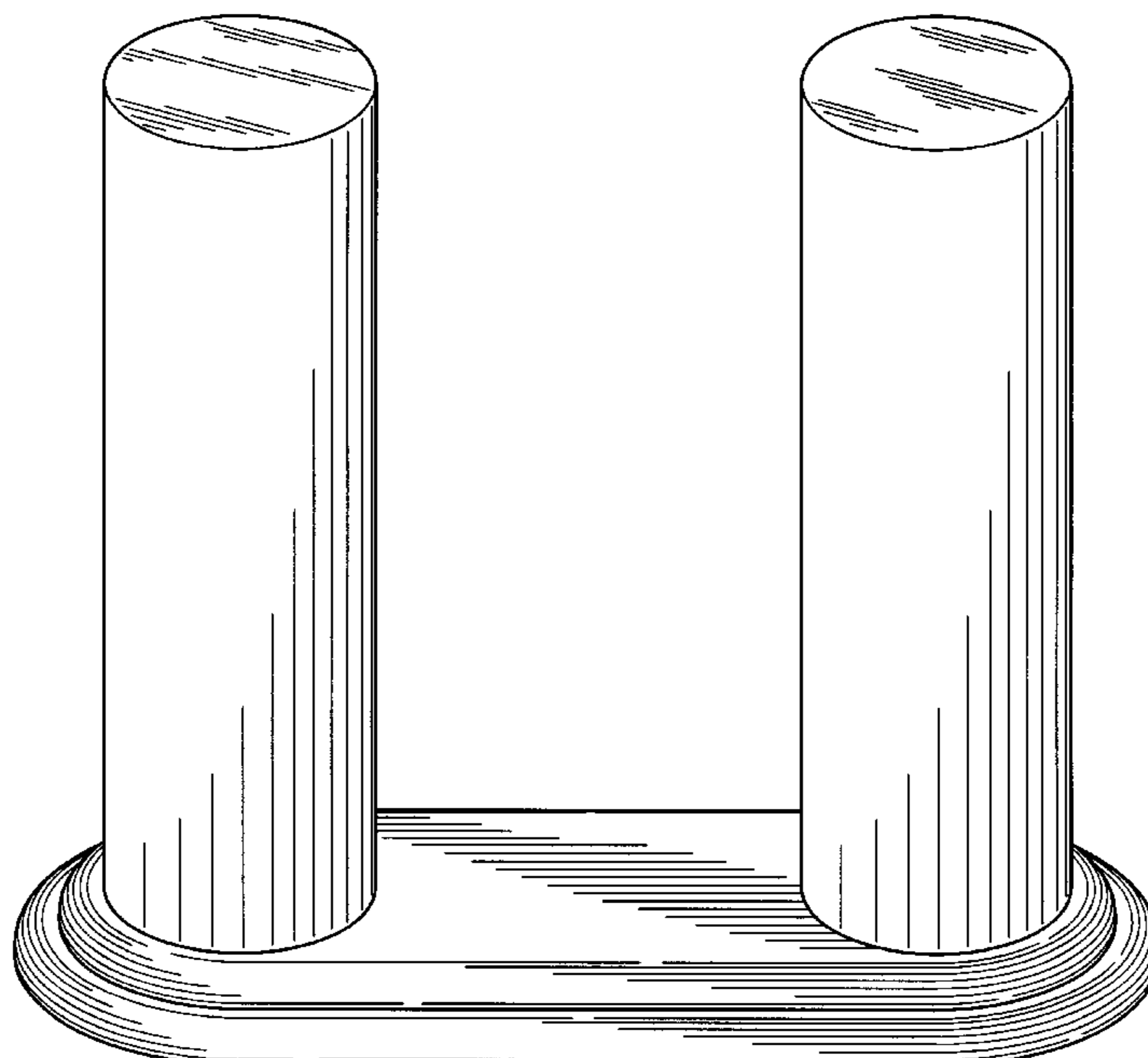
FIG. 1 is a side perspective view of a table base showing our new design, the opposite side view being a mirror image thereof;

FIG. 2 is another side perspective view, the opposite side perspective view being a mirror image thereof; and,

FIG. 3 is a top plan view thereof.

The bottom of the table base is plain and unornamented.

1 Claim, 3 Drawing Sheets



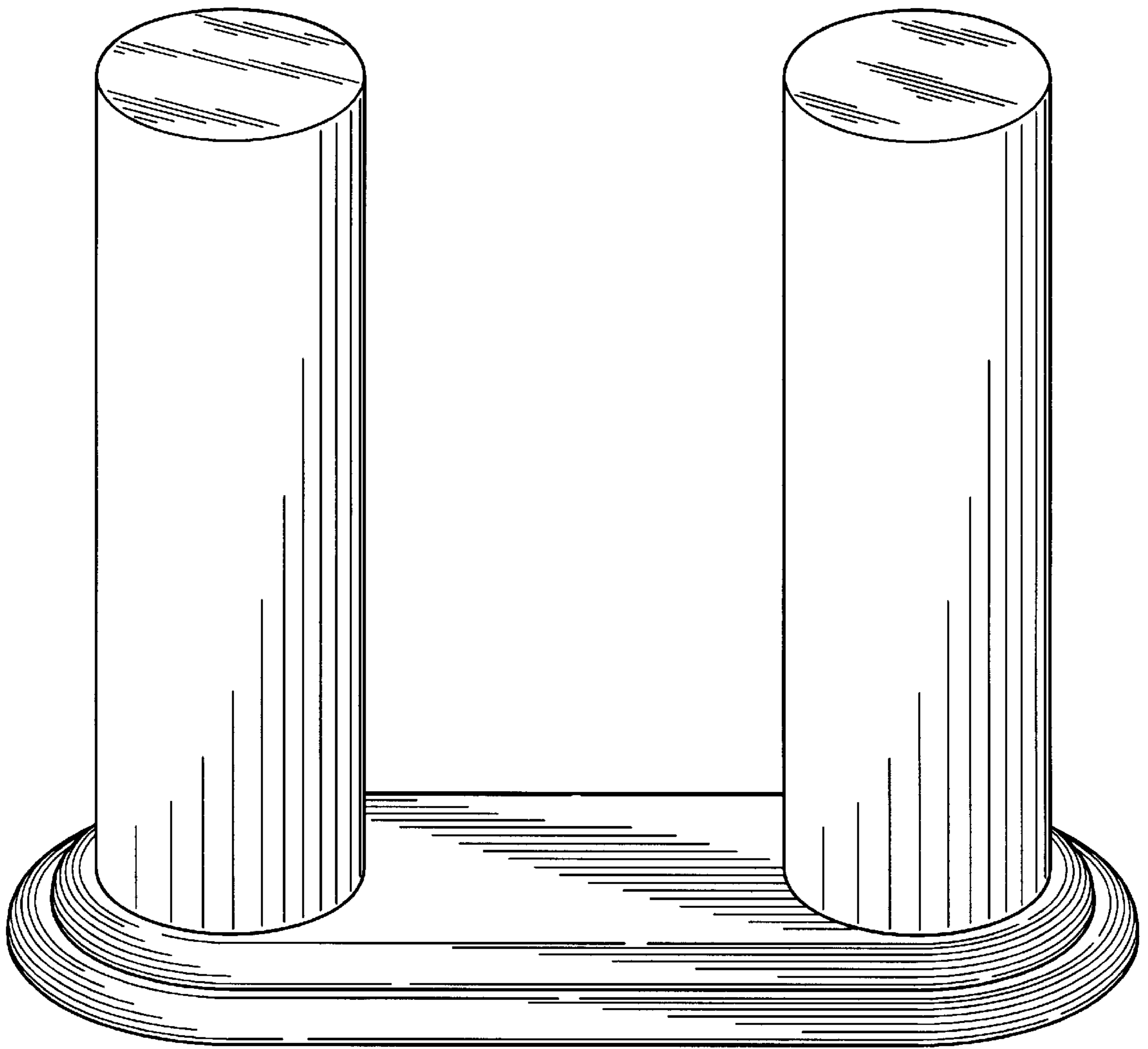


FIG. 1

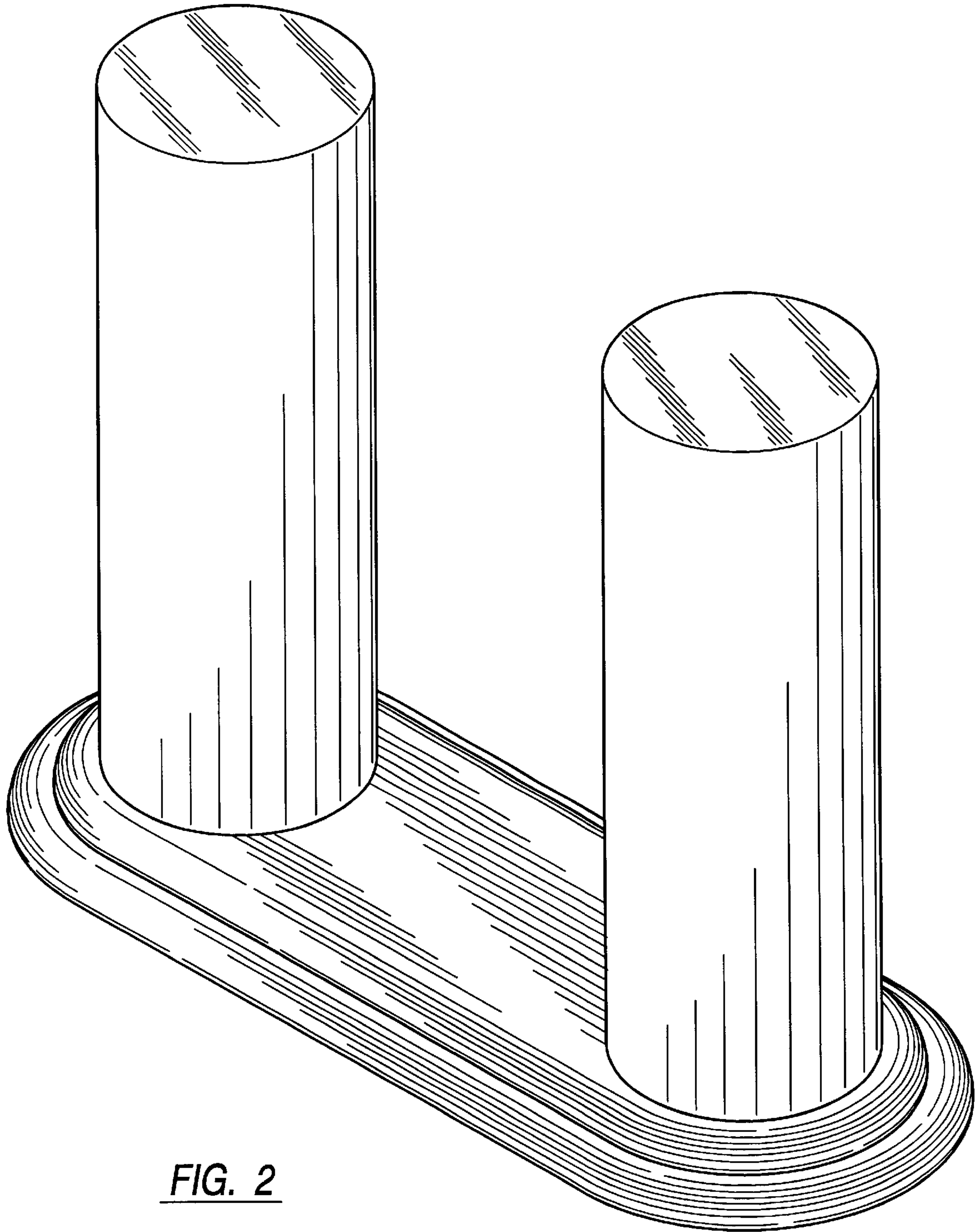


FIG. 2

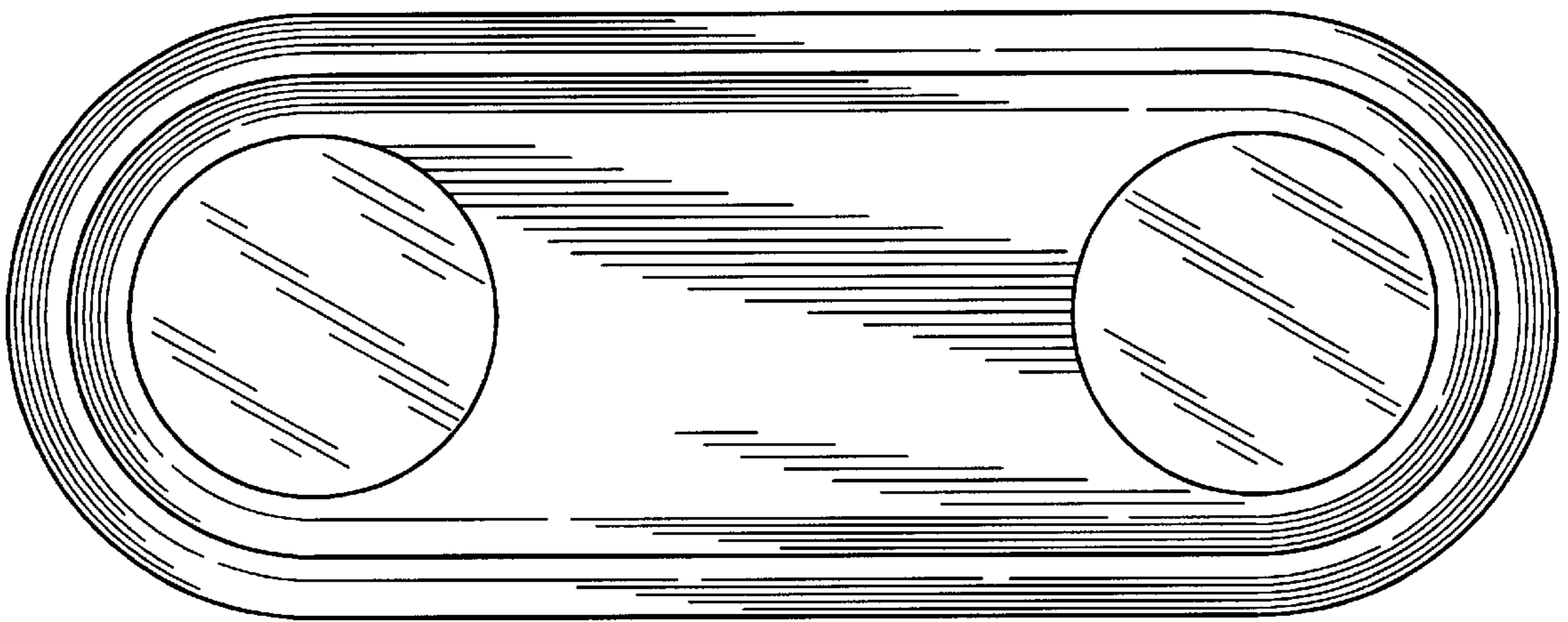


FIG. 3