



US00D451308B1

(12) **United States Design Patent**
Lira

(10) **Patent No.:** **US D451,308 S**

(45) **Date of Patent:** **** Dec. 4, 2001**

(54) **DISPLAY TABLE**

(75) Inventor: **Martin G. Lira**, Lake Mills, WI (US)

(73) Assignee: **Menasha Material Handling Corporation**, Neenah, WI (US)

(**) Term: **14 Years**

(21) Appl. No.: **29/137,072**

(22) Filed: **Feb. 12, 2001**

(51) **LOC (7) Cl.** **06-04**

(52) **U.S. Cl.** **D6/475; D6/477**

(58) **Field of Search** D6/396, 400, 449,
D6/475, 476, 477; 108/25, 93; 211/13.1,
85.4

(56) **References Cited**

U.S. PATENT DOCUMENTS

D. 290,666	*	7/1987	Joseph	D6/449
D. 337,898	*	8/1993	Chen	D6/400
5,556,181	*	9/1996	Bertrand	108/25
5,592,884	*	1/1997	Glick et al.	108/25
6,000,750	*	12/1999	Rossman et al.	108/25 X

OTHER PUBLICATIONS

Leisure Incorporated and Orbis, Menasha Corporation; "Family Dollar Display: Initial Ideation" drawing; Apr. 26, 1999.

* cited by examiner

Primary Examiner—Cathron C. Brooks

(74) *Attorney, Agent, or Firm*—Quarles & Brady LLP

(57) **CLAIM**

The ornamental design for a display table, as shown and described.

DESCRIPTION

FIG. 1 is a perspective view of a display table showing my new design with legs shown in phantom; FIG. 2 is a right side elevational view thereof, the left side elevational view being a mirror image of FIG. 2; FIG. 3 is a front elevational view thereof, the rear elevational view being a mirror image of FIG. 3; and FIG. 4 is a top elevational view thereof; and, FIG. 5 is a bottom elevational view thereof. The broken line representation in FIGS. 1–5 are exemplary and form no part of the claimed design.

1 Claim, 3 Drawing Sheets

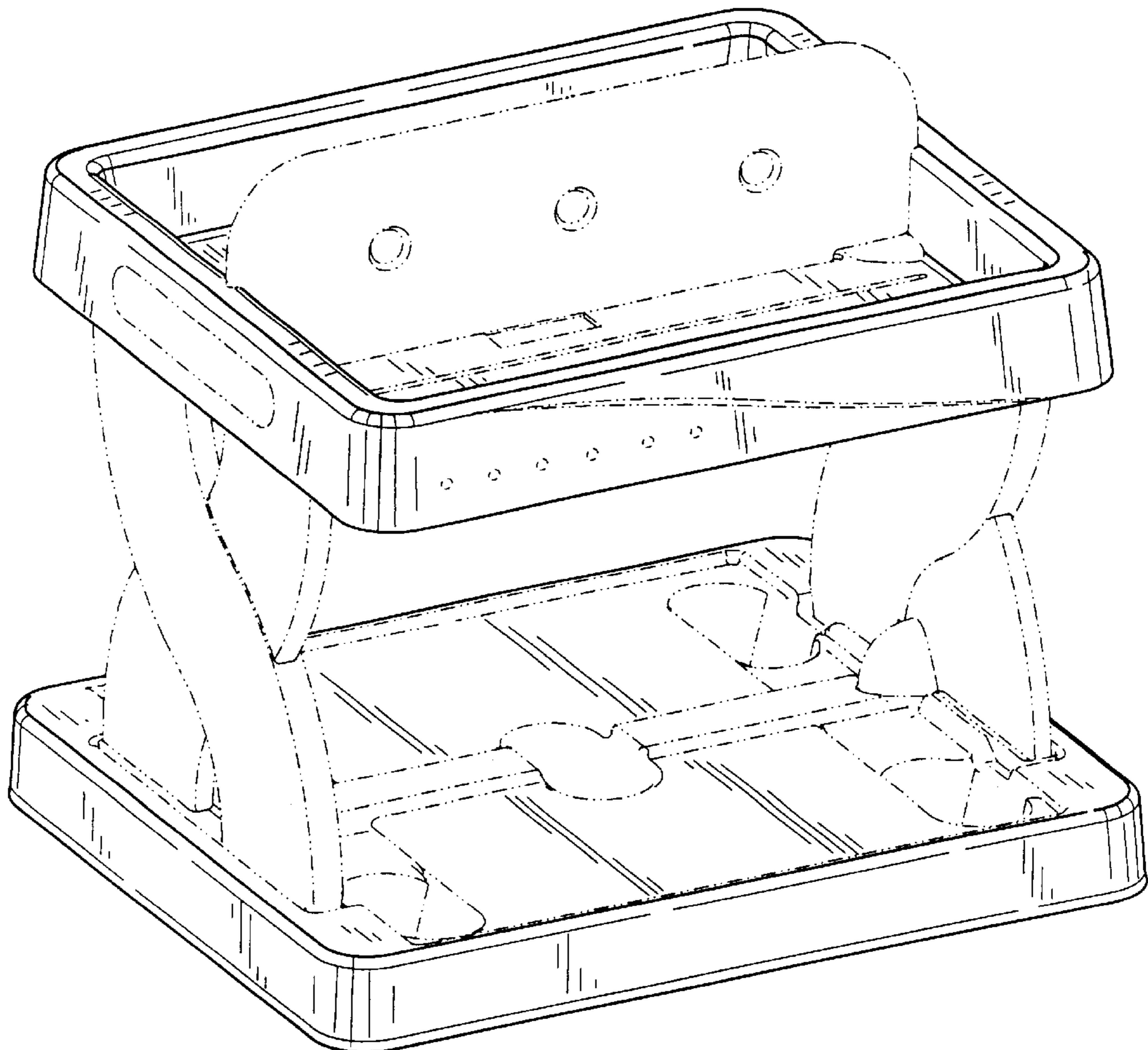


FIG. 1

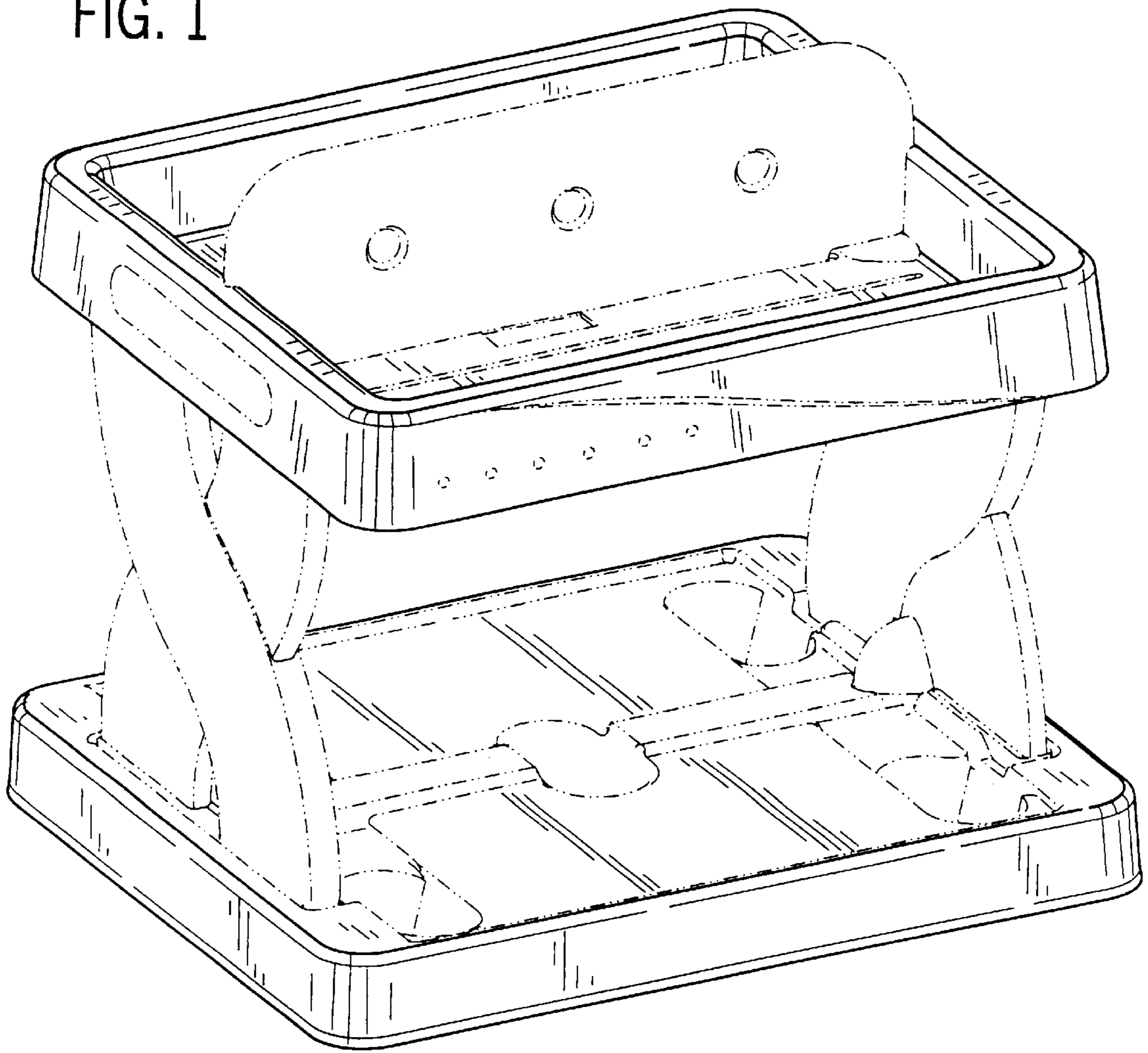


FIG. 2

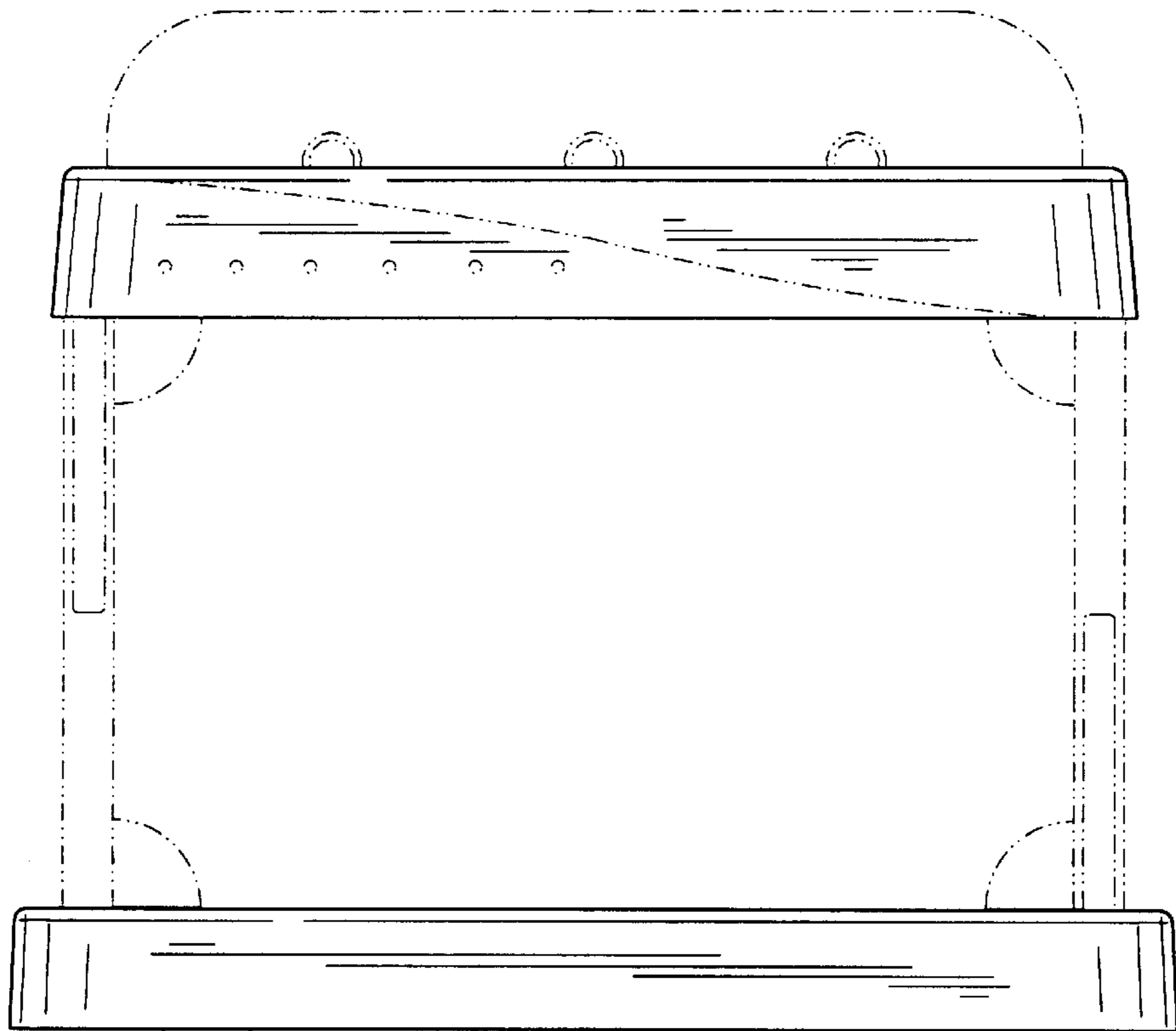
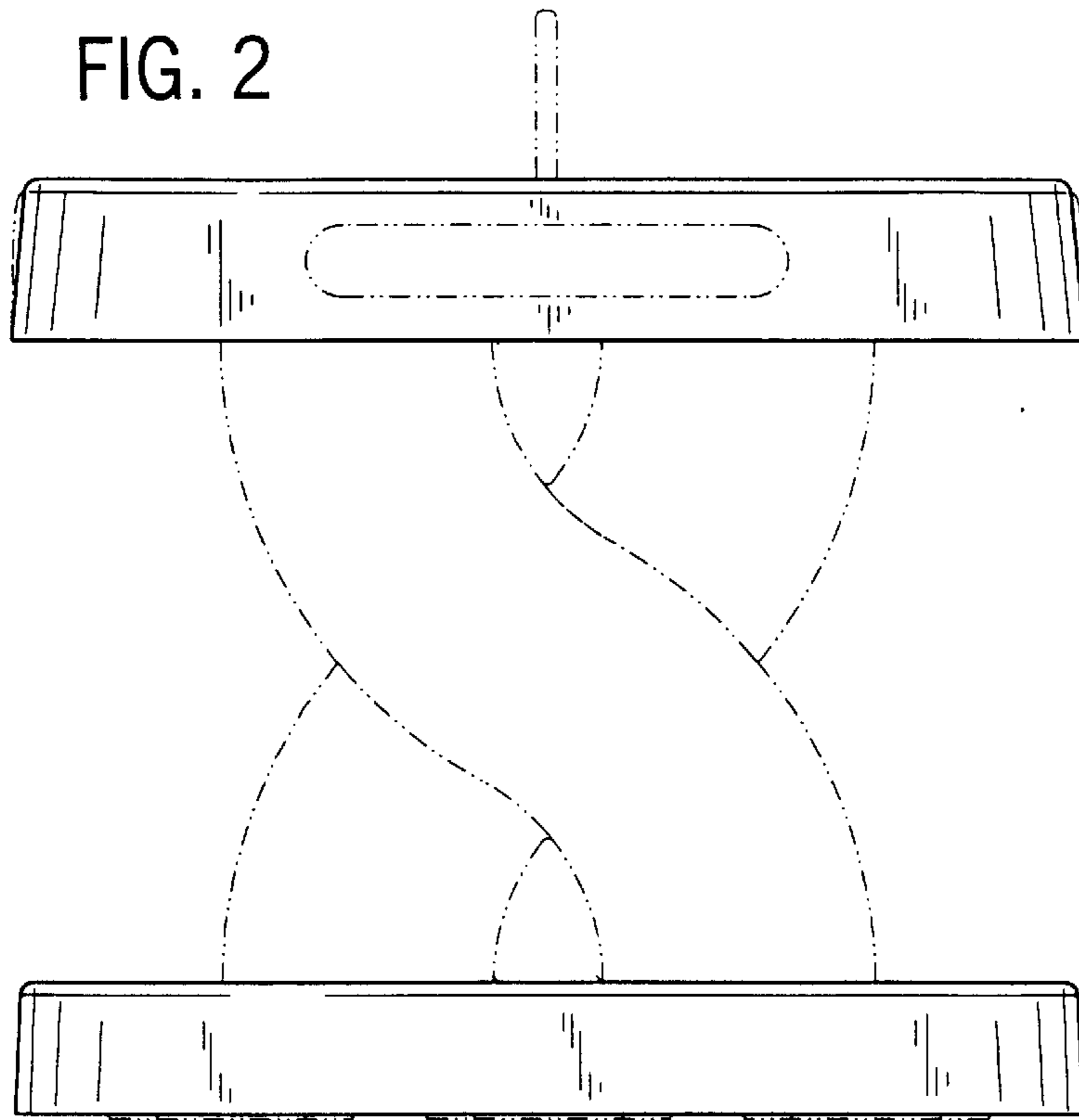


FIG. 3

FIG. 4

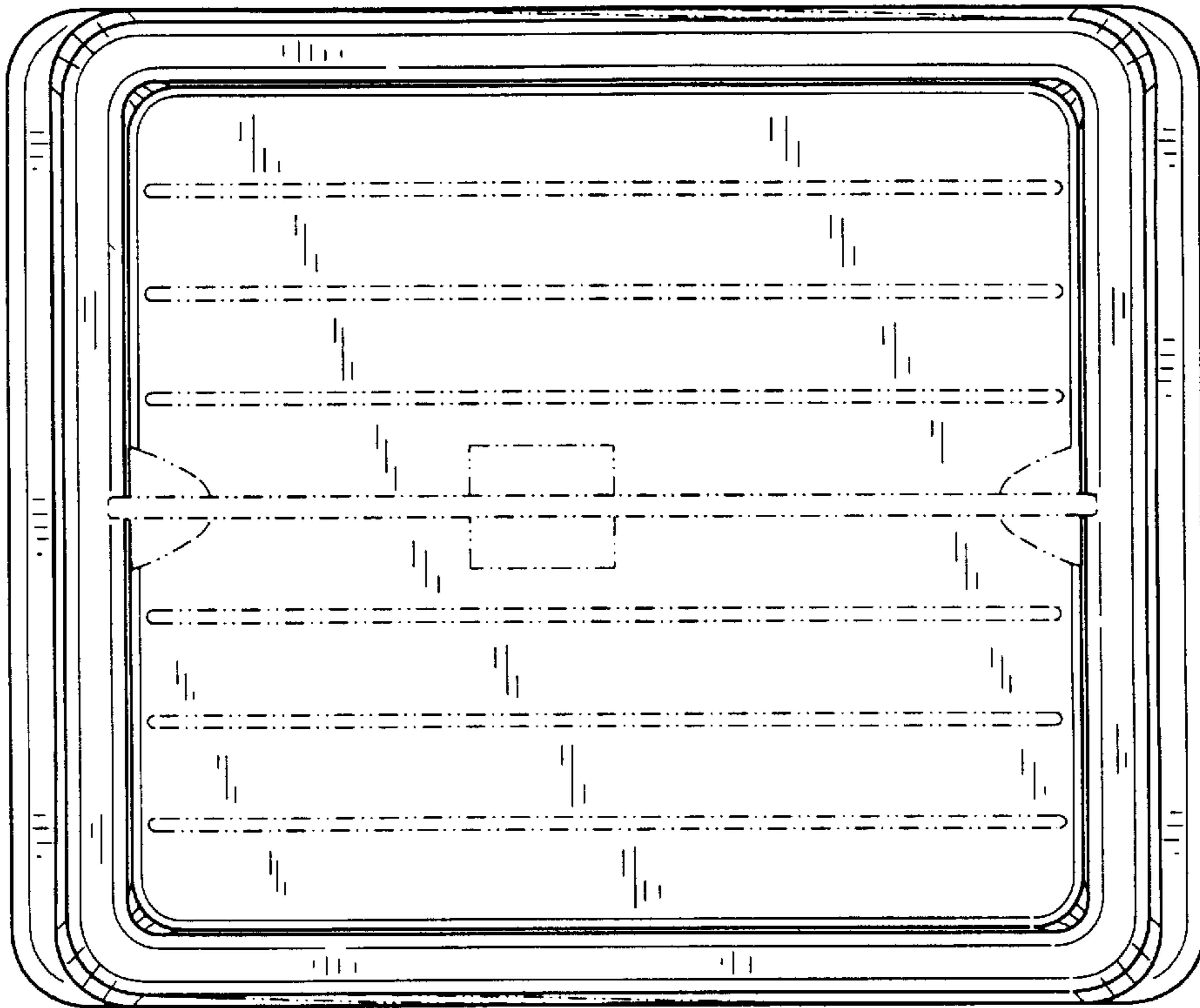


FIG. 5

