



US00D451307B1

(12) **United States Design Patent**  
**Dong**

(10) **Patent No.:** **US D451,307 S**

(45) **Date of Patent:** **\*\* Dec. 4, 2001**

(54) **RACK**

(75) Inventor: **Ming-Chi Dong**, Taipei (TW)

(73) Assignee: **Mart Tiller Corp.**, Taipei (TW)

(\*\*) Term: **14 Years**

(21) Appl. No.: **29/144,038**

(22) Filed: **Jun. 25, 2001**

(51) **LOC (7) Cl.** ..... **06-04**

(52) **U.S. Cl.** ..... **D6/474; D6/464; D6/477;**  
D6/478

(58) **Field of Search** ..... D6/343, 397, 409-415,  
D6/458, 462-468, 477, 479, 475, 455, 456,  
546; 108/50.11, 59, 91, 92, 93; 211/13.1,  
37, 38, 85.3, 85.4, 30, 34, 42, 49.1, 90.03,  
106, 119, 134, 186-189, 181.1, 200, 204-208;  
248/441.1, 465.1, 175, 451, 124.1, 448

(56) **References Cited**

**U.S. PATENT DOCUMENTS**

D. 288,996 \* 3/1987 Winzeler, III ..... D6/474

D. 301,093 \* 5/1989 Oto ..... D6/397  
D. 334,310 \* 3/1993 Keong ..... D6/474  
D. 364,055 \* 11/1995 Pakla ..... D6/477  
D. 433,846 \* 11/2000 Chang ..... D6/474  
4,646,655 \* 3/1987 Robolin ..... 108/92

\* cited by examiner

*Primary Examiner*—Cathron C. Brooks

(74) *Attorney, Agent, or Firm*—Alan Kamrath; Rider,  
Bennett, Egan & Arundel, LLP

(57) **CLAIM**

The ornamental design for rack, as shown and described.

**DESCRIPTION**

FIG. 1 is a perspective view of a rack showing my new design;

FIG. 2 is a front elevational view thereof; the opposite side being a mirror image of that shown;

FIG. 3 is a left elevational view thereof; the opposite side being a mirror image of the shown.

FIG. 4 is a top plan view thereof; and,

FIG. 5 is bottom plan view thereof.

**1 Claim, 3 Drawing Sheets**

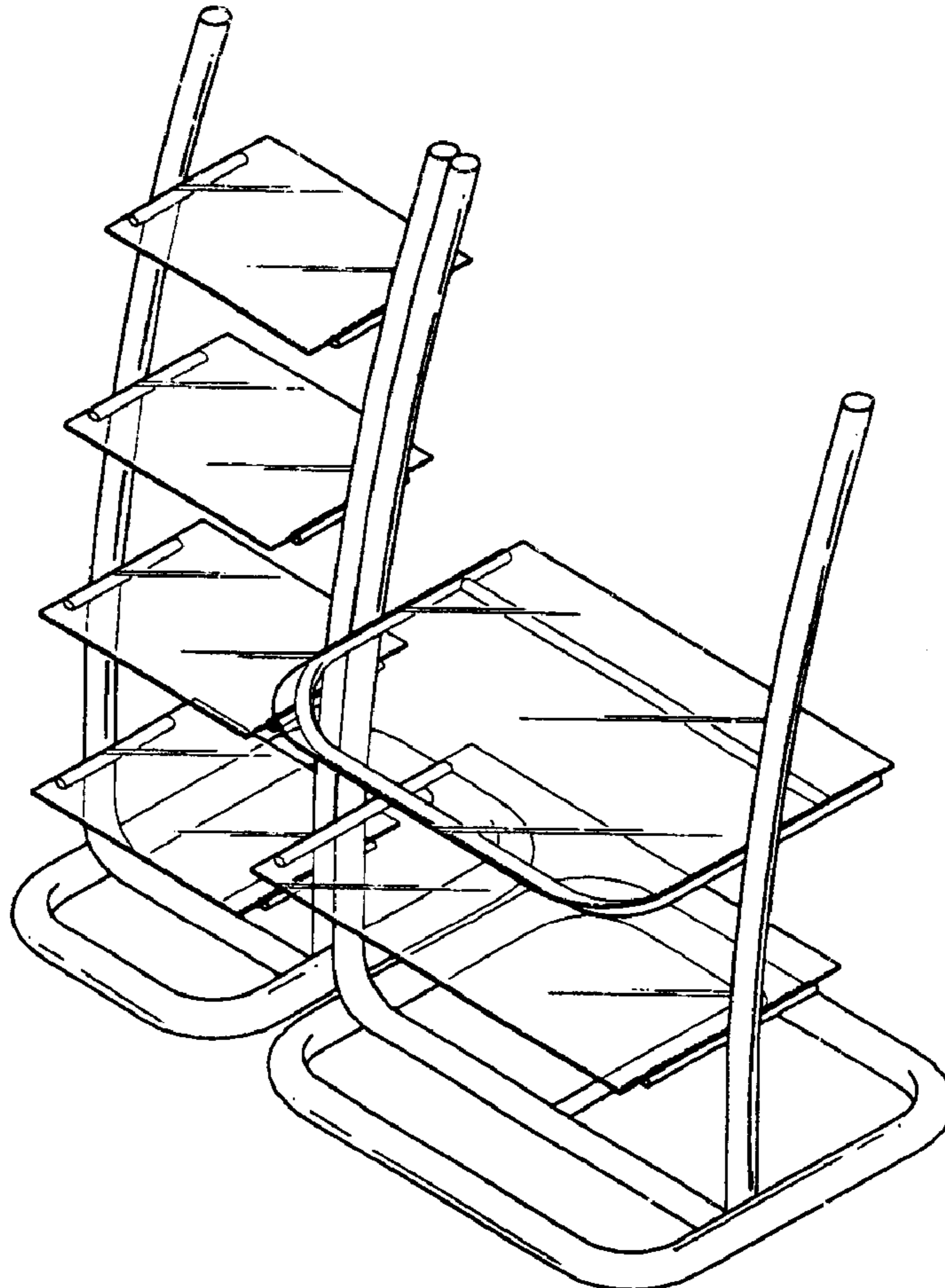


Fig. 1

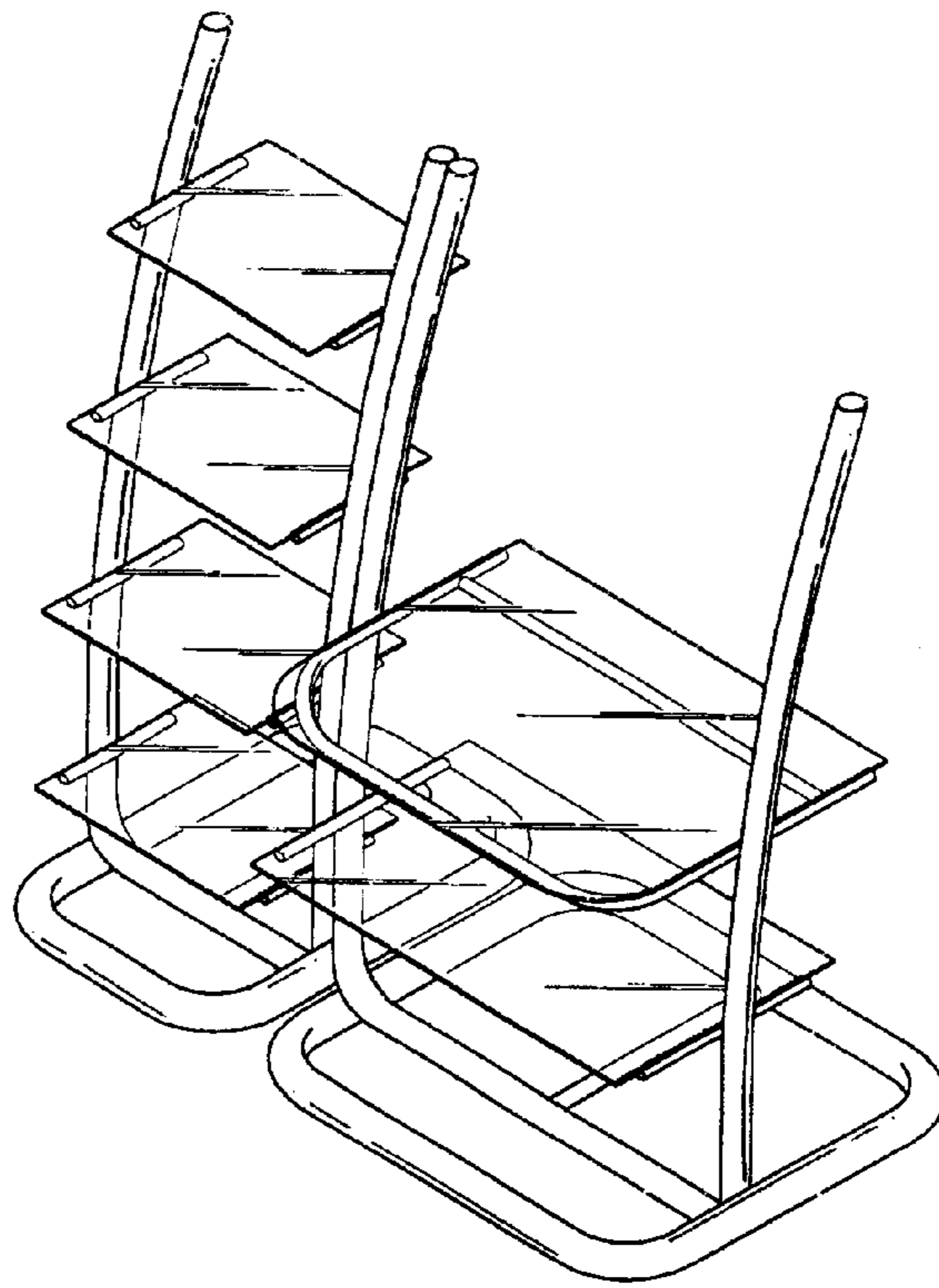


Fig. 2

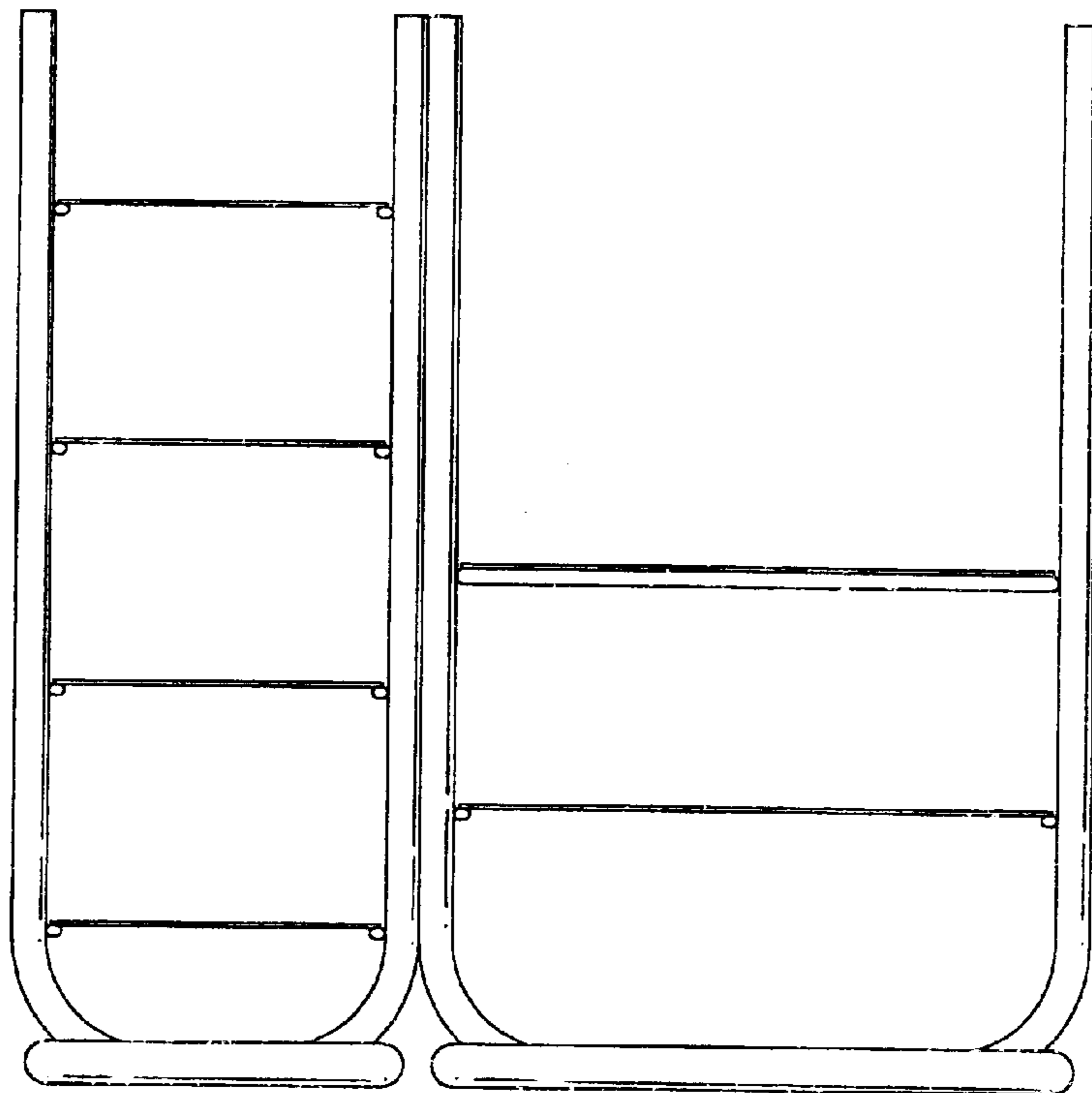


Fig. 3

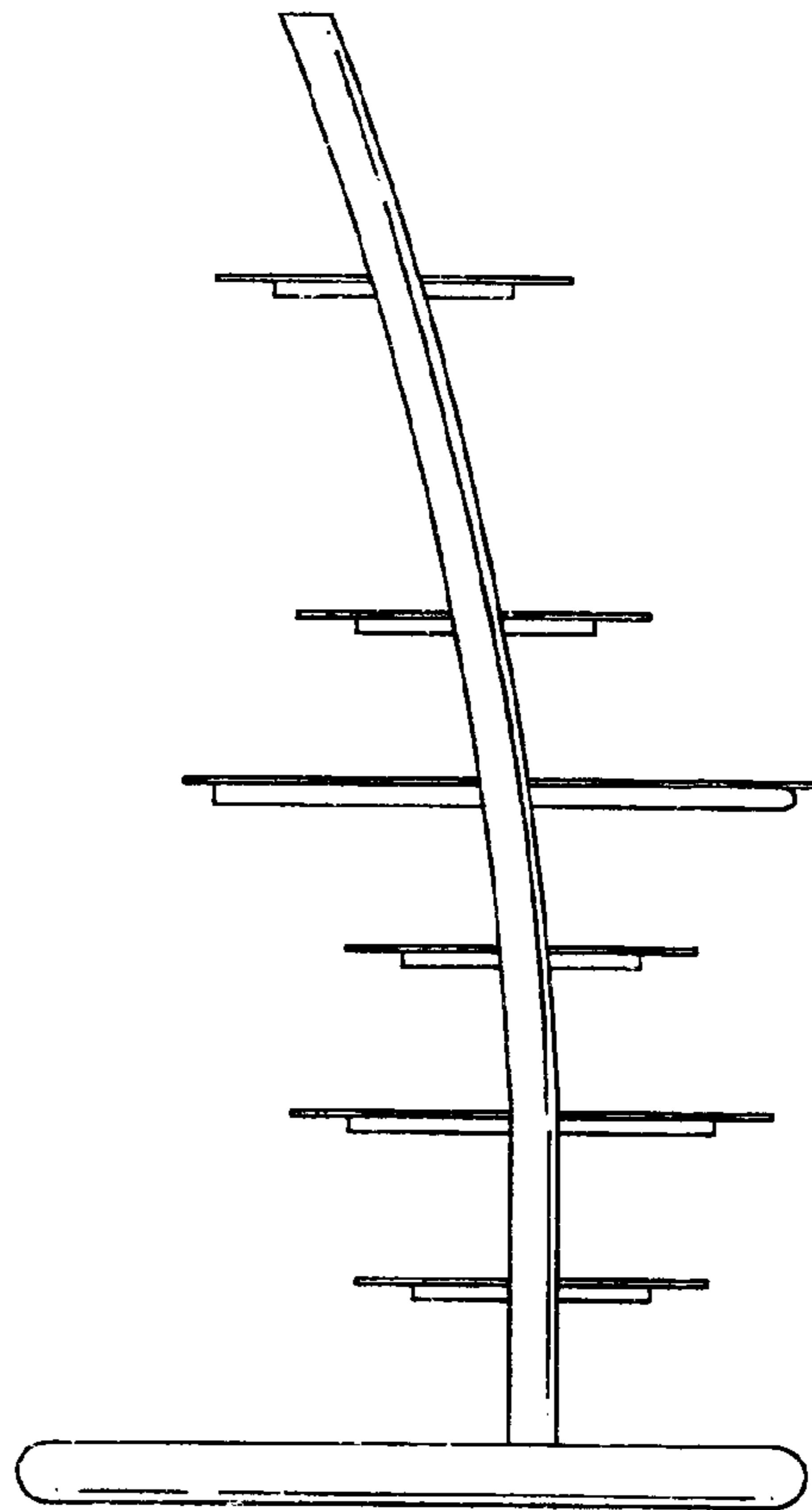
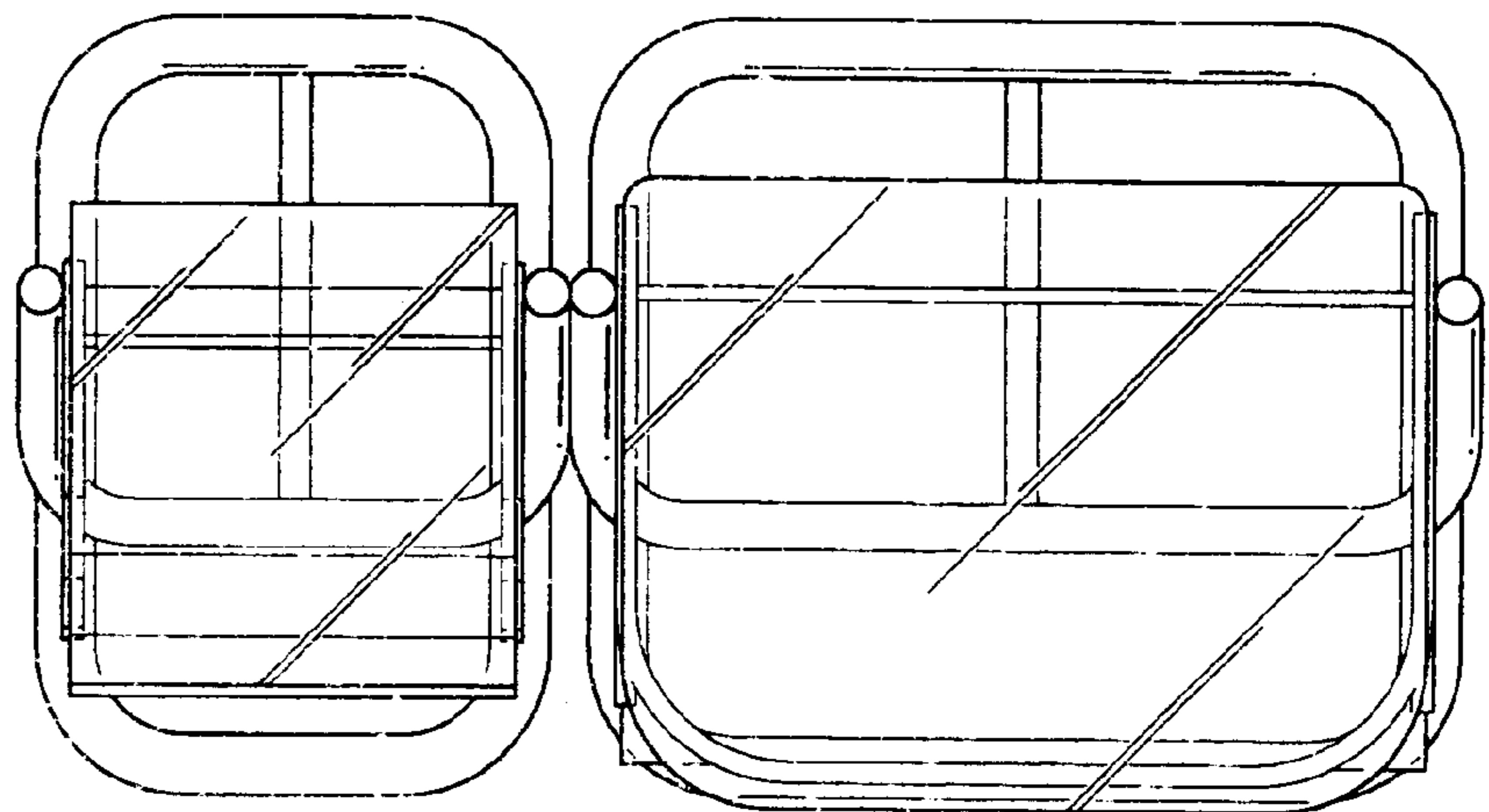


Fig. 4



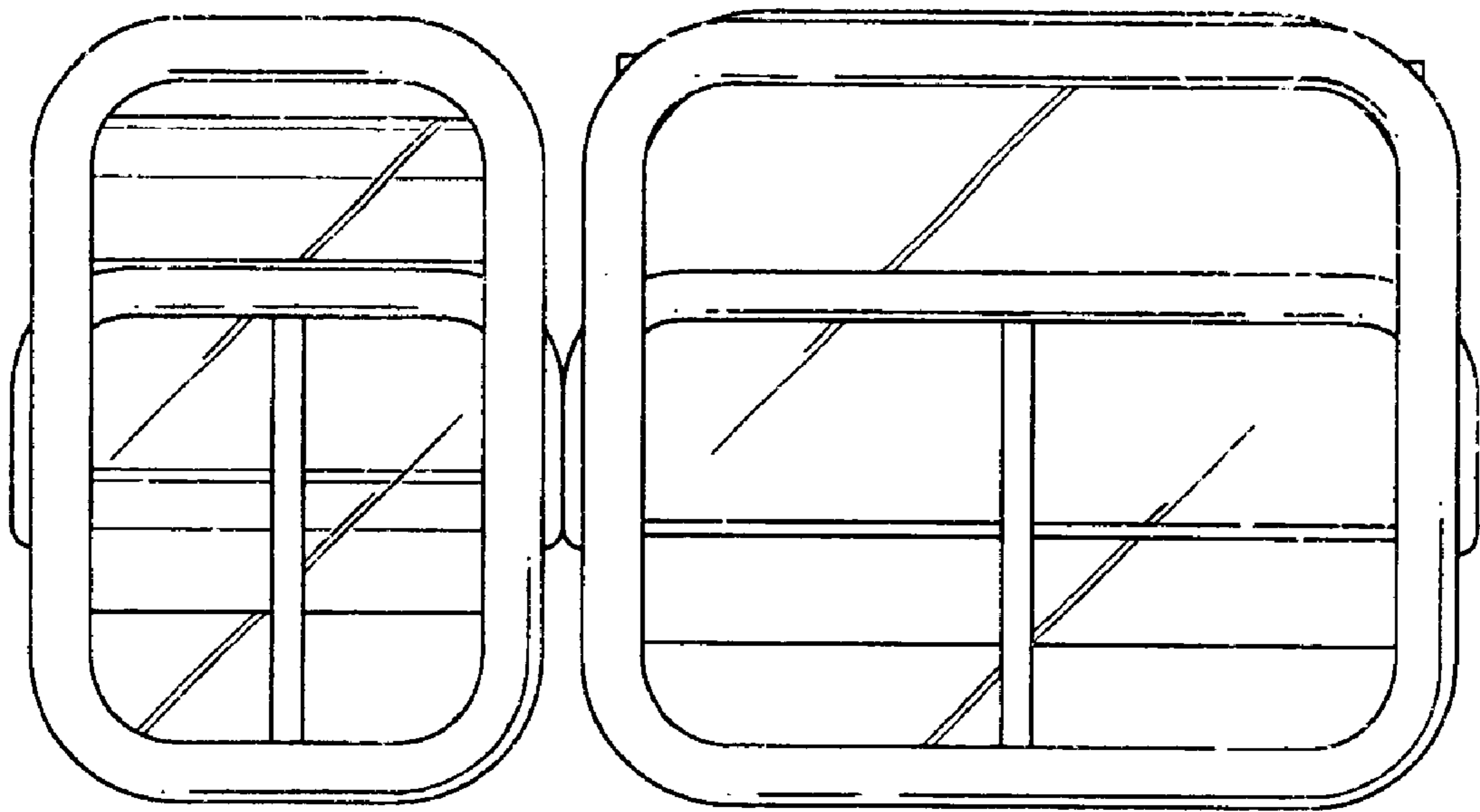


Fig. 5