



US00D451306B1

(12) **United States Design Patent**  
**Dow**

(10) **Patent No.:** **US D451,306 S**  
(45) **Date of Patent:** **\*\* Dec. 4, 2001**

(54) **PORTABLE COMPUTER STAND**  
(75) Inventor: **Rocky Lee Dow**, Folsom, CA (US)  
(73) Assignee: **Rock Solid Solutions**, Folsom, CA (US)  
(\*\*) Term: **14 Years**  
(21) Appl. No.: **29/131,447**  
(22) Filed: **Oct. 20, 2000**  
(51) **LOC (7) Cl.** ..... **06-04**  
(52) **U.S. Cl.** ..... **D6/474; D6/419; D6/429**  
(58) **Field of Search** ..... D6/396, 419, 420, D6/429; 108/50.01, 50.02, 157.13, 1, 5, 6, 144.11, 147.11; 248/157

5,071,204 12/1991 Price et al. .  
5,088,676 \* 2/1992 Orchard et al. .... D6/449 X  
5,127,340 7/1992 Maro et al. .  
5,174,224 12/1992 Nagy et al. .  
5,209,452 5/1993 Goldberg .  
5,385,327 1/1995 Hegarty et al. .  
5,419,525 5/1995 Hilton .  
5,470,041 11/1995 Cucinotta .  
5,481,987 1/1996 Maitland .  
5,484,124 1/1996 Billings .  
5,502,460 3/1996 Bowen .  
5,503,361 4/1996 Kan-O et al. .  
5,607,054 3/1997 Hollingsworth .

(List continued on next page.)

*Primary Examiner*—Cathron C. Brooks  
(74) *Attorney, Agent, or Firm*—Bernhard Kreten

(57) **CLAIM**

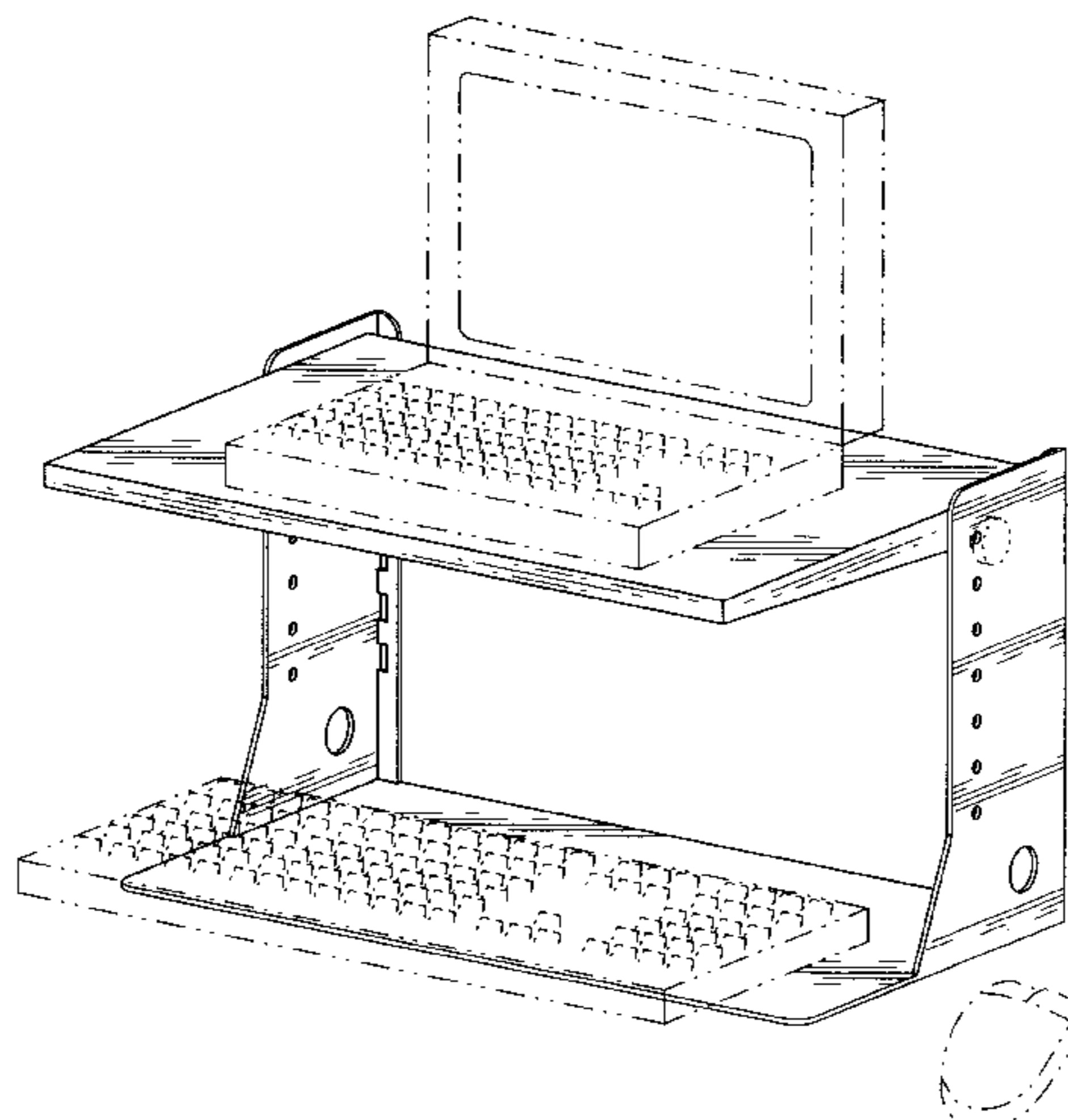
The ornamental design for a portable computer stand, as shown and described.

**DESCRIPTION**

FIG. 1 is a perspective view of a portable computer stand with the computer shown in phantom showing my new design.  
FIG. 2 is an exploded parts view thereof.  
FIG. 3 is a front plan view thereof.  
FIG. 4 is a back plan view thereof.  
FIG. 5 is a side view thereof.  
FIG. 6 is an opposite side view thereof (showing the shelf at a different angle).  
FIG. 7 is a top view thereof.  
FIG. 8 is a bottom view thereof.  
FIG. 9 is a side view thereof, showing the shelf in an alternate position; and,  
FIG. 10 is an opposite side view thereof, showing the shelf in an additional alternate position.  
The broken-line showing of environmental structure in FIGS. 1 through 10 is for illustrative purposes only and forms no part of the claimed design.

(56) **References Cited**  
**U.S. PATENT DOCUMENTS**  
D. 281,842 12/1985 Blocklinger .  
D. 306,534 3/1990 Bacon et al. .  
D. 307,519 \* 5/1990 Wright ..... D6/428 X  
D. 315,461 \* 3/1991 Hilton ..... D6/474  
D. 339,250 9/1993 Rison et al. .  
D. 341,958 12/1993 Allred .  
D. 376,278 12/1996 Zivari .  
D. 377,428 \* 1/1997 Rossdeutscher ..... D6/475  
D. 390,209 2/1998 Dials et al. .  
D. 394,172 5/1998 Kubo et al. .  
D. 394,646 5/1998 Ratzlaff .  
D. 398,458 9/1998 Martell .  
D. 436,760 \* 1/2001 Dow ..... D6/474  
1,805,989 5/1931 Levene .  
3,120,199 2/1964 Kolster et al. .  
4,379,429 4/1983 Gubbe et al. .  
4,515,086 5/1985 Kwiecinski et al. .  
4,560,132 12/1985 Wilder .  
4,691,888 \* 9/1987 Cotterill ..... 108/1 X  
4,705,327 11/1987 Bollman .  
4,717,112 1/1988 Pirkle .  
4,725,106 2/1988 Shields et al. .  
4,830,328 5/1989 Takach, Jr. et al. .  
5,044,284 9/1991 Gross .

**1 Claim, 4 Drawing Sheets**



# US D451,306 S

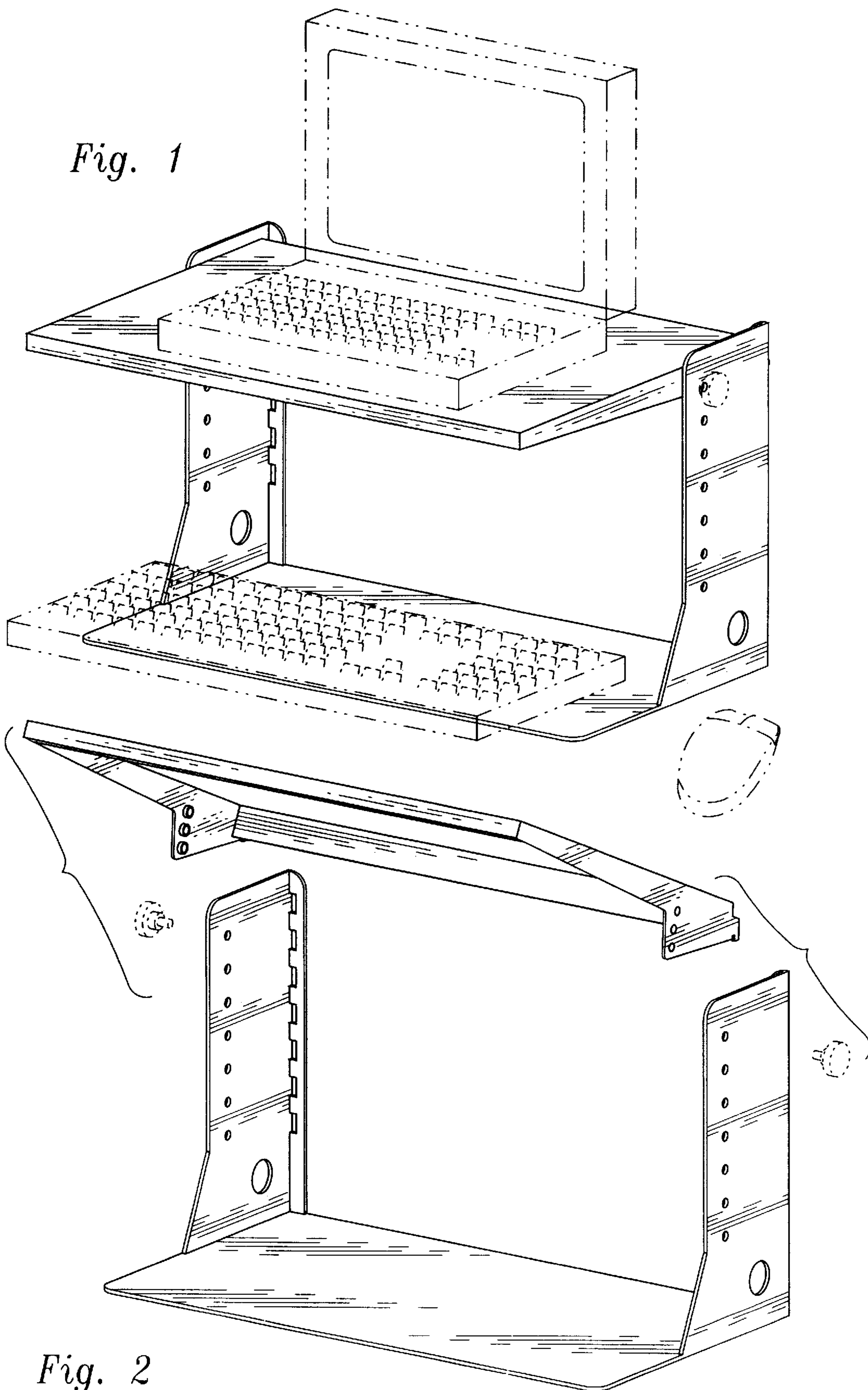
Page 2

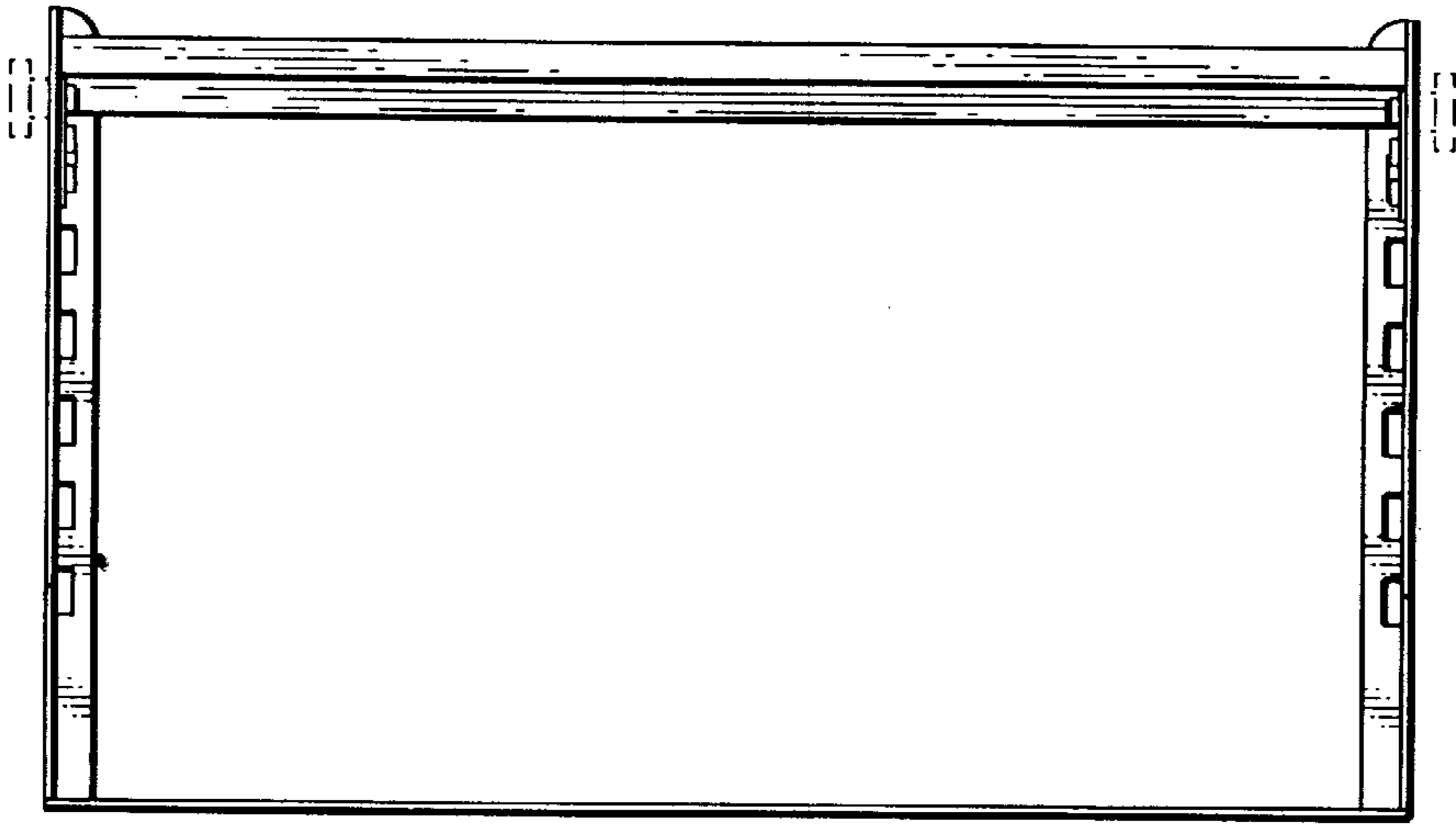
---

## U.S. PATENT DOCUMENTS

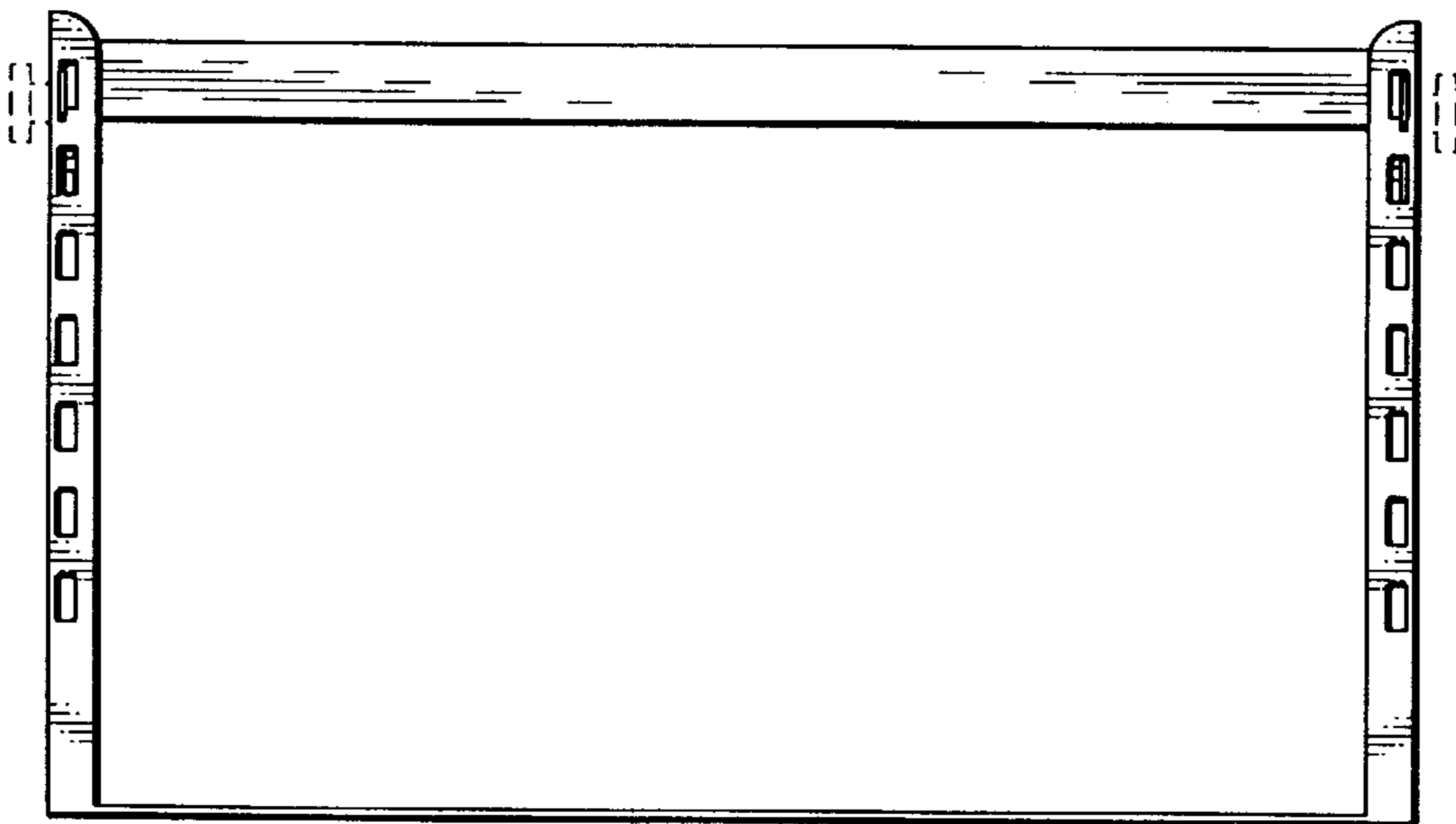
5,630,566	5/1997	Case .	5,765,797	6/1998	Greene et al. .
5,678,800	10/1997	Markussen .	5,769,369	6/1998	Meinel .
5,717,431	2/1998	Chia-Ying et al. .	5,771,152	6/1998	Crompton et al. .
5,720,465	2/1998	Peltzer et al. .	5,774,332	6/1998	Ruch et al. .
5,722,624	3/1998	Watt et al. .	5,779,212	7/1998	Back .
5,729,220	3/1998	Russell .	5,791,259	8/1998	Mansfield et al. .
5,729,429	3/1998	Margaritis et al. .	5,791,263	8/1998	Watt et al. .
5,733,025	3/1998	Jesse, Sr. .	5,805,415	9/1998	Tran .
5,738,320	4/1998	Matos et al. .	5,815,735	9/1998	Baker .
5,745,341	4/1998	Wolff et al. .	5,818,690	10/1998	Spencer .
5,752,449	5/1998	Simon et al. .	5,822,185	10/1998	Cavello .
5,754,395	5/1998	Hsu et al. .	5,833,200	11/1998	Patterson .
5,758,849	6/1998	Bui et al. .	6,010,262	1/2000	Linyear et al. .
5,764,164	6/1998	Cartabiano et al. .			

\* cited by examiner

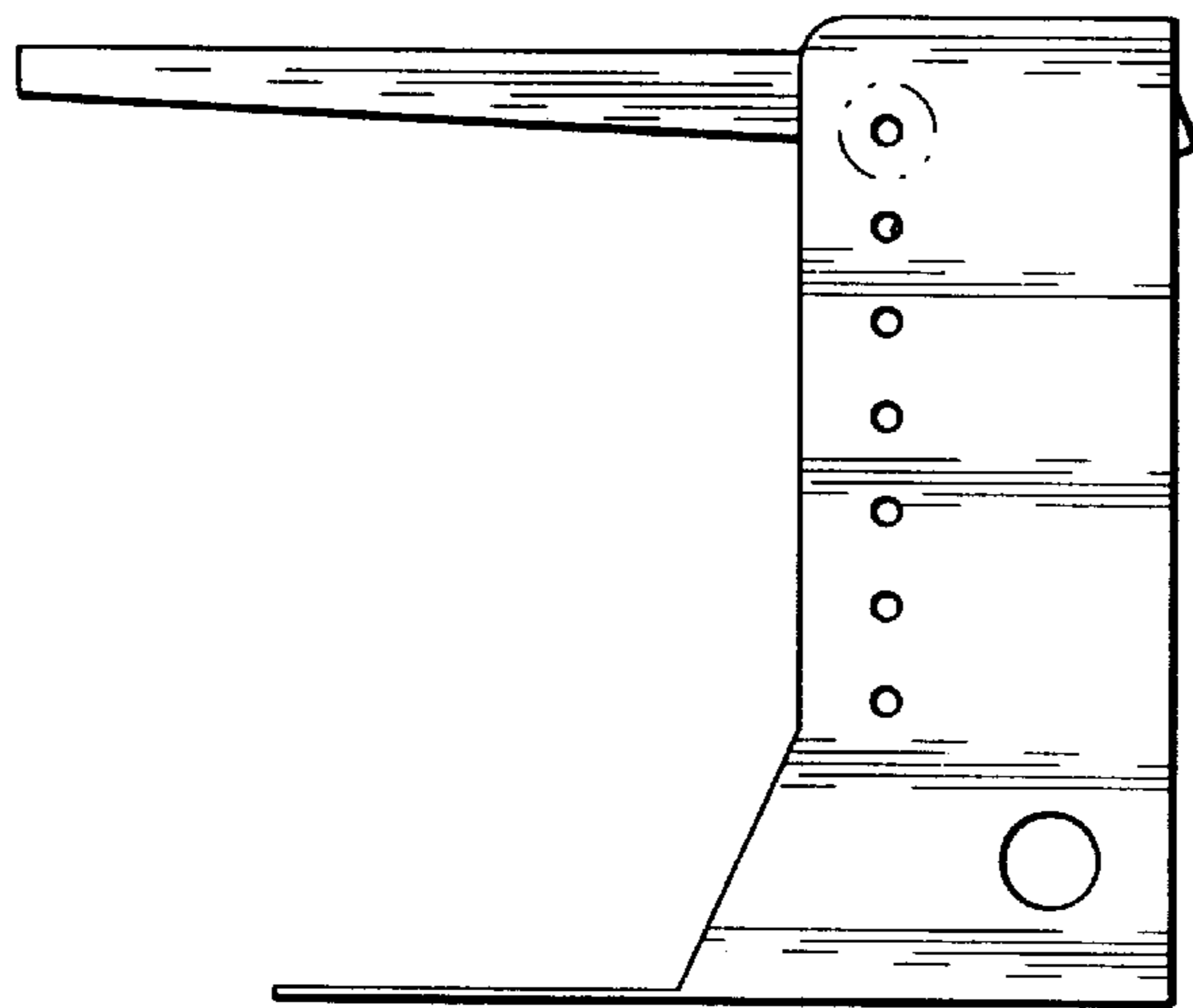




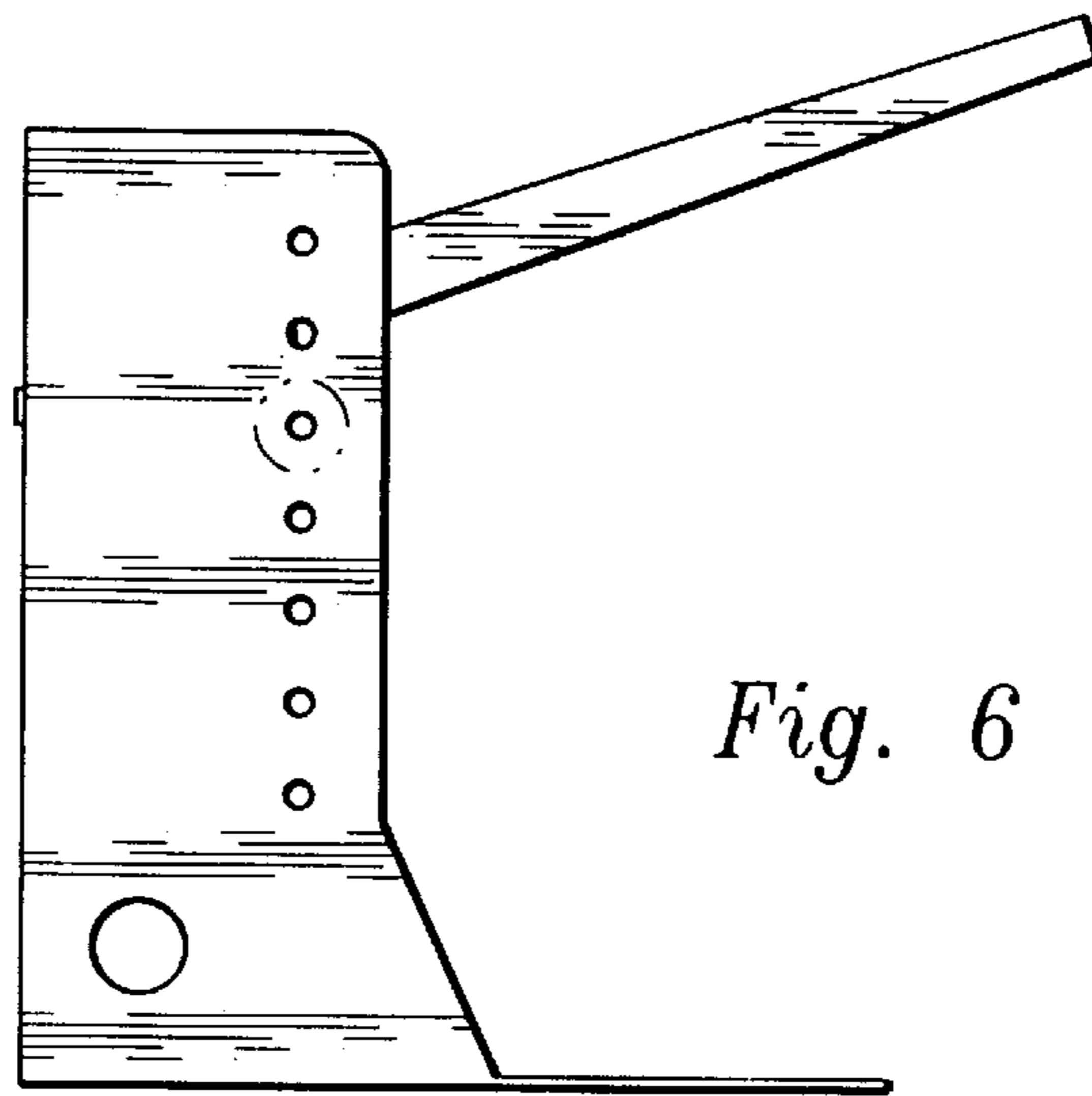
*Fig. 3*



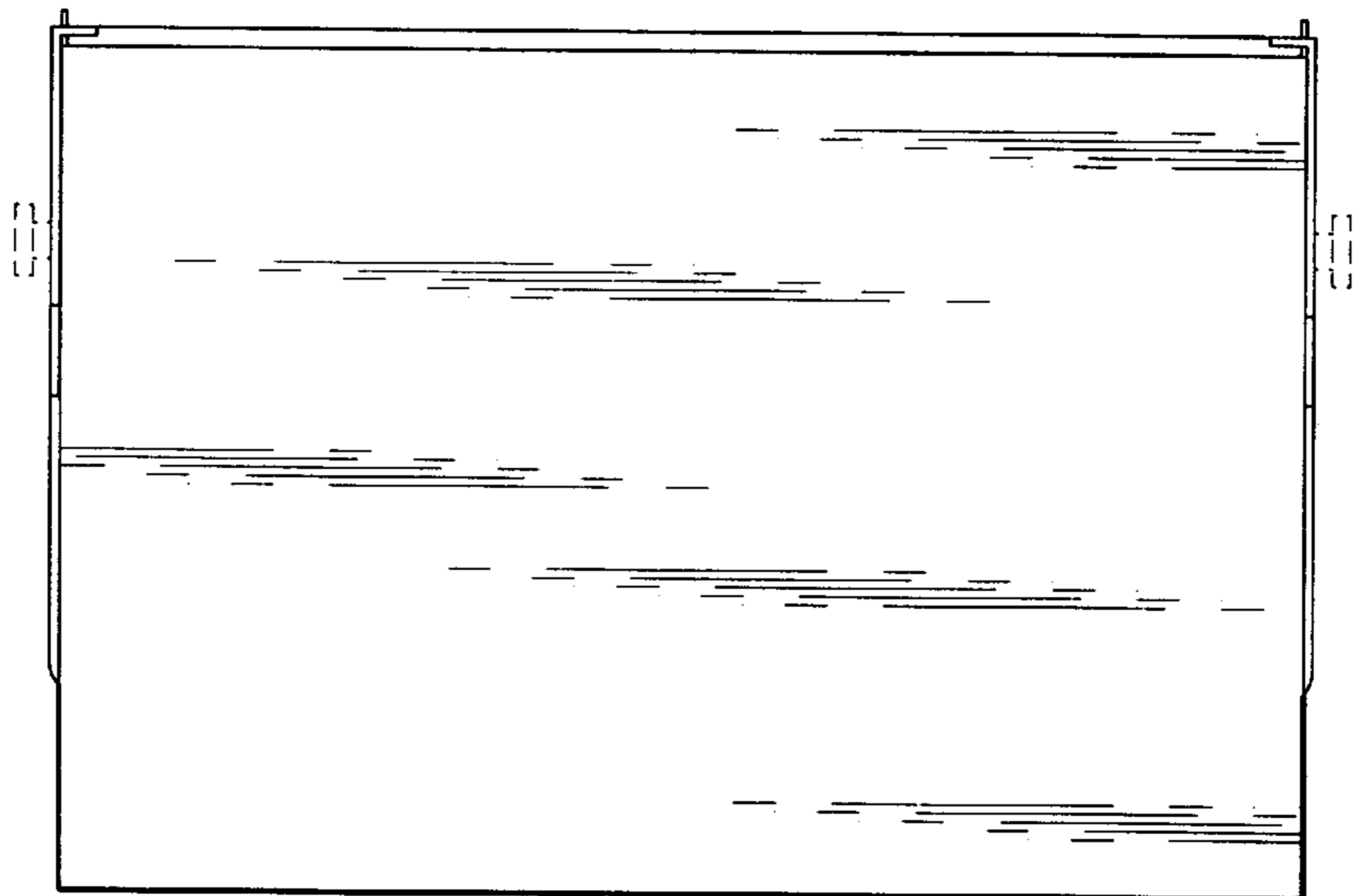
*Fig. 4*



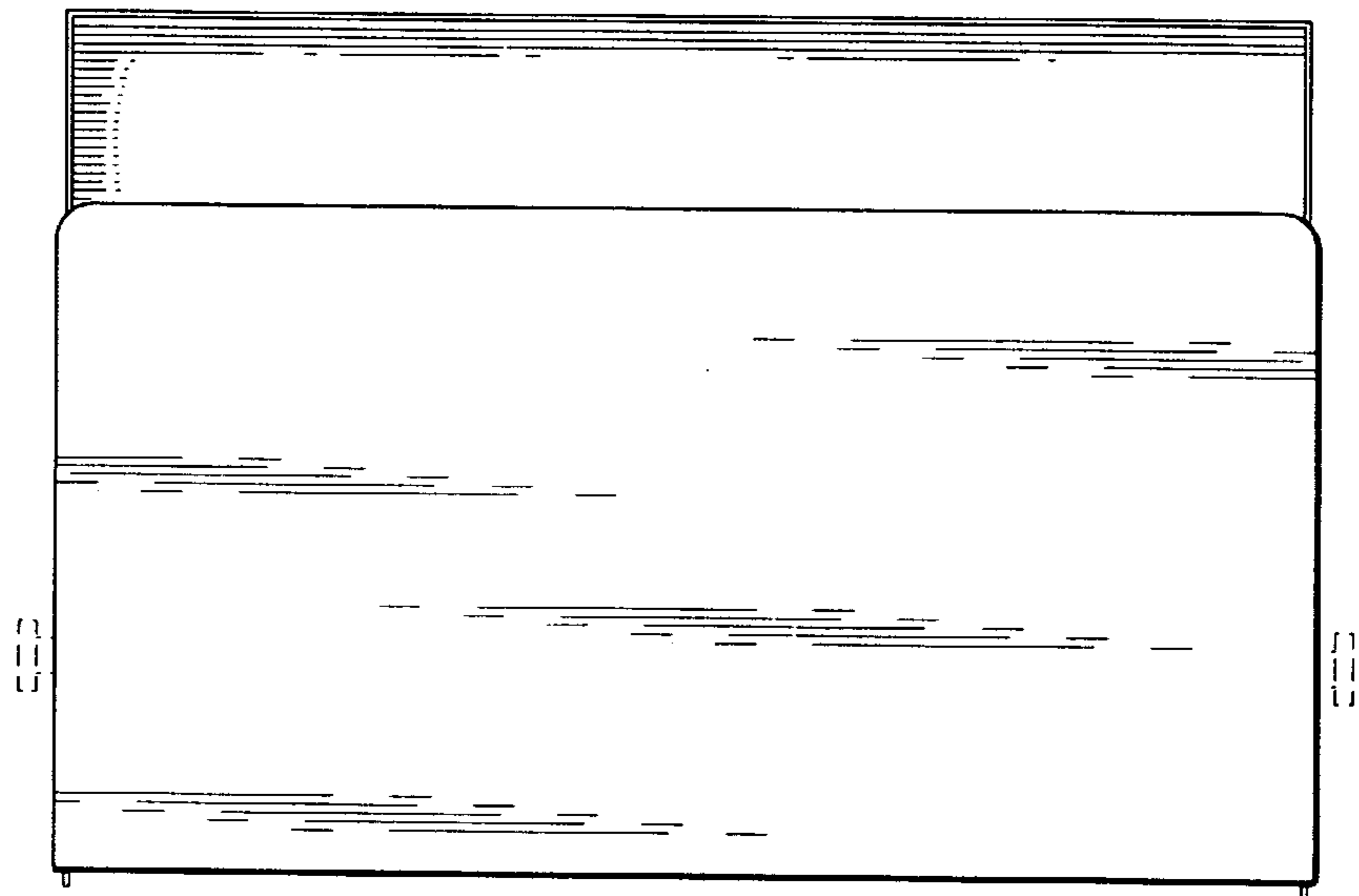
*Fig. 5*



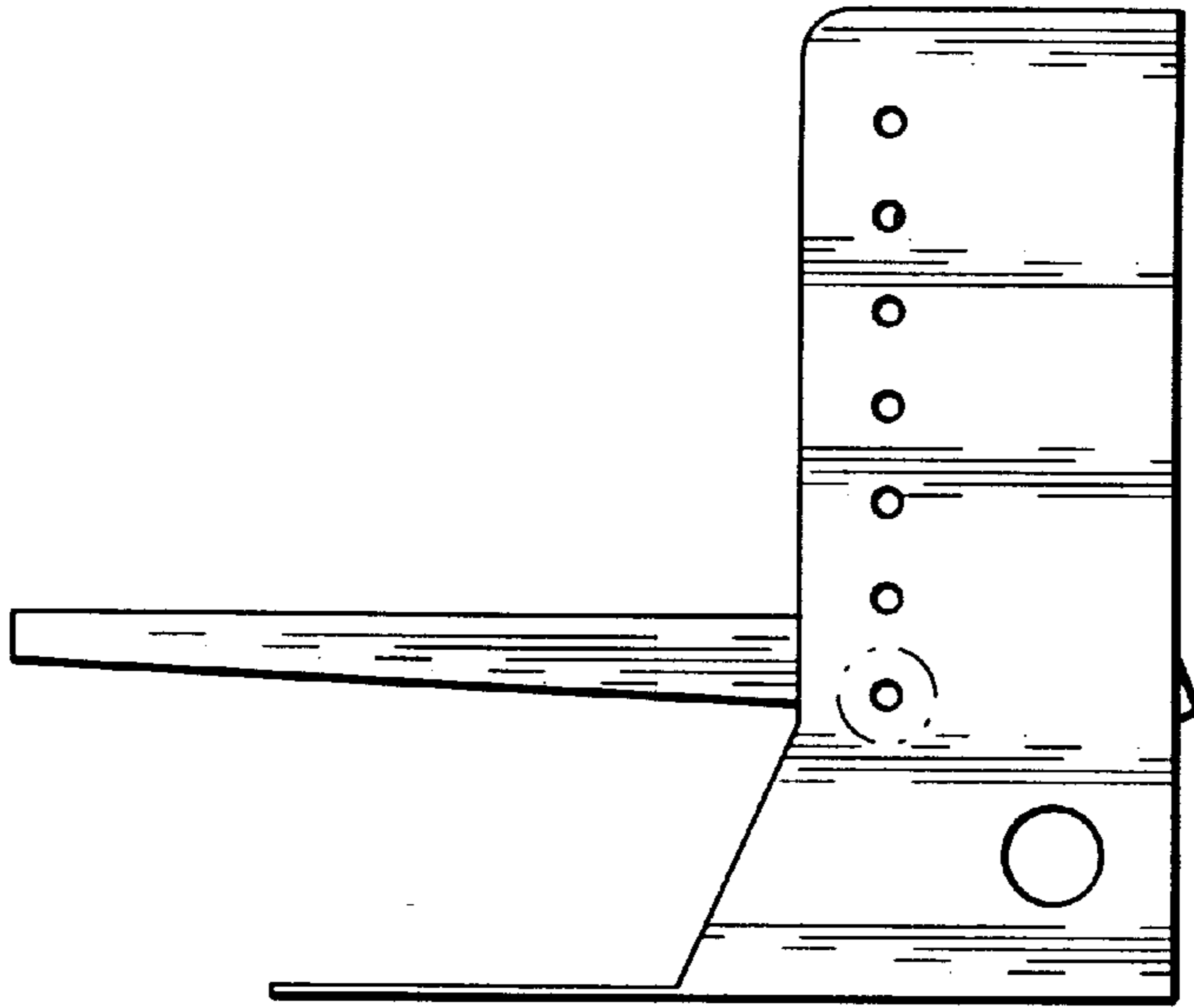
*Fig. 6*



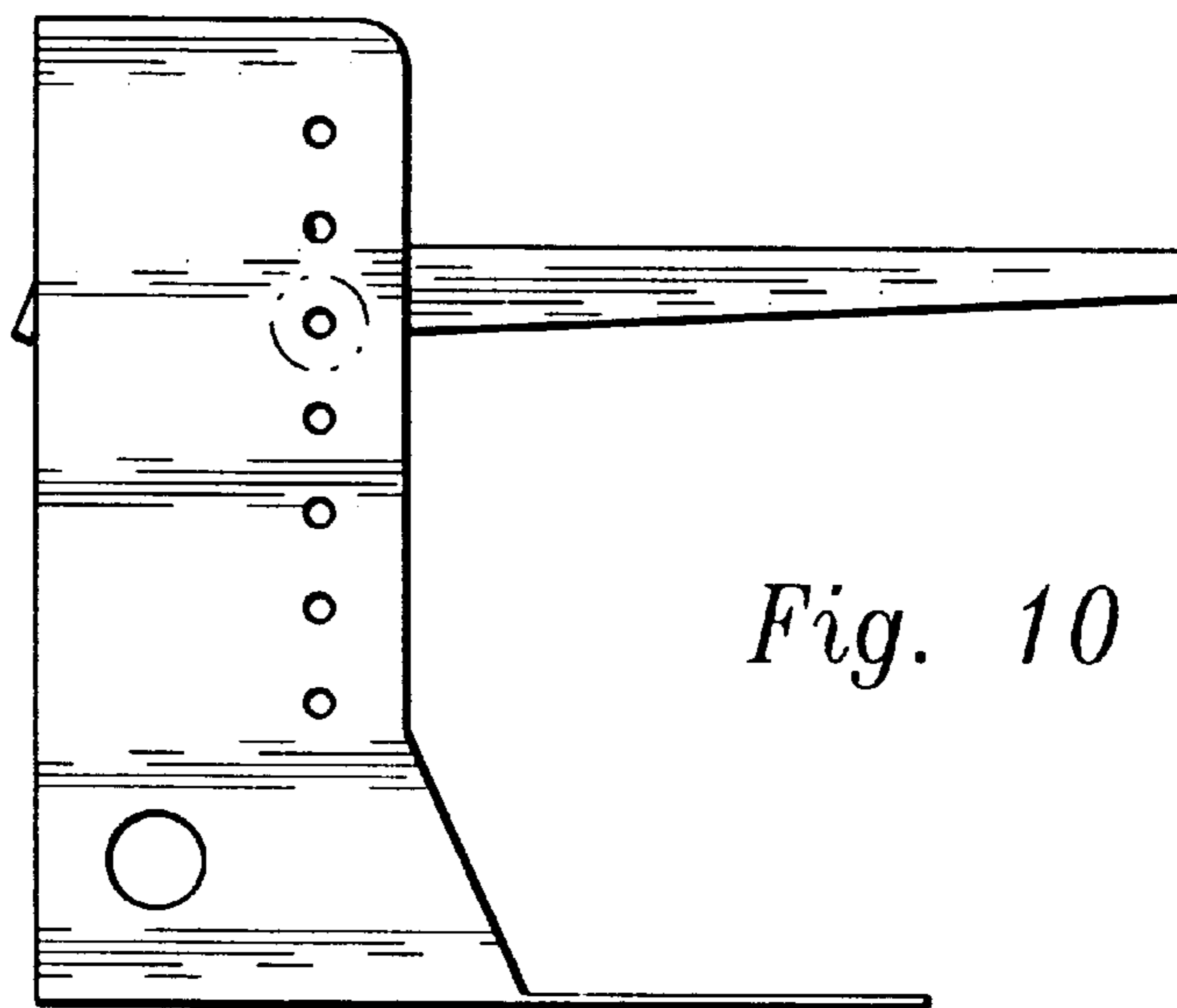
*Fig. 7*



*Fig. 8*



*Fig. 9*



*Fig. 10*