



US00D451304B1

(12) **United States Design Patent**
Felsenthal

(10) **Patent No.:** **US D451,304 S**

(45) **Date of Patent:** **** Dec. 4, 2001**

(54) **LUGGAGE RACK WITH HANGING BAR FOR GARMENTS**

(76) **Inventor:** **Sandy Alan Felsenthal**, 5428
Collingwood Cove, Memphis, TN (US)
38120

(**) **Term:** **14 Years**

(21) **Appl. No.:** **29/140,128**

(22) **Filed:** **Apr. 13, 2001**

(51) **LOC (7) Cl.** **06-04**

(52) **U.S. Cl.** **D6/462; D6/411; D6/397**

(58) **Field of Search** D6/343, 397, 409-415,
D6/458, 462-468, 477, 479, 475, 455, 456,
546; 108/50.11, 59, 91, 92, 93; 211/13.1,
37, 38, 85.3, 85.4, 30, 34, 42, 49.1, 90.03,
106, 119, 134, 186-189, 181.1, 200, 204-208;
248/441.1, 465.1, 175, 451, 124.1, 448

(56) **References Cited**

U.S. PATENT DOCUMENTS

D. 364,516 * 11/1995 Helenowski D6/462

OTHER PUBLICATIONS

Harriet Carter Catalog, Wood Luggage Rack, p. 13 date unknown.*

* cited by examiner

Primary Examiner—Cathron C. Brooks

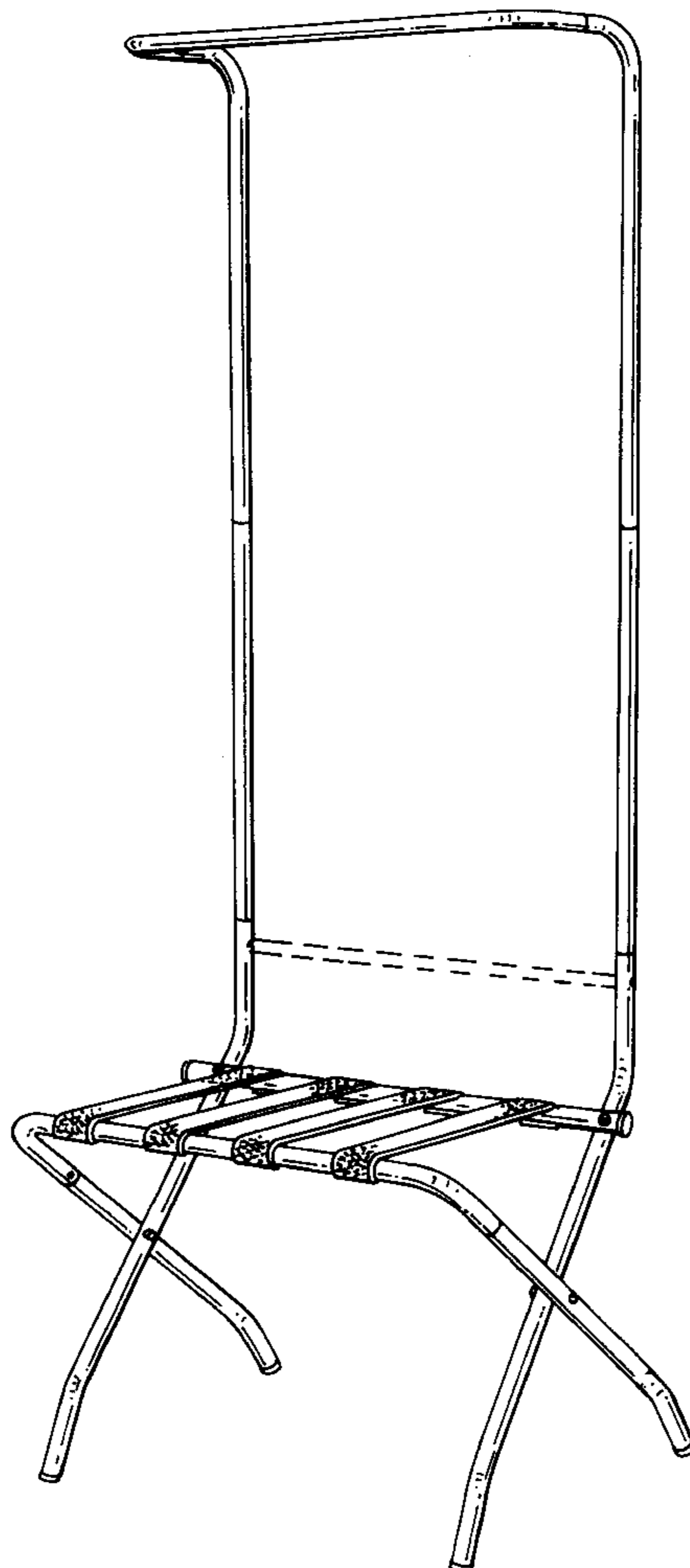
(57) **CLAIM**

The ornamental design for a luggage rack with hanging bar for garments, as shown and described.

DESCRIPTION

FIG. 1 is a right front perspective view of the luggage rack with hanging bar for garments in the operative position, showing my new design, the broken-line disclosure of a horizontally oriented stabilizing bar being for illustrative purposes only and forming no part of the claimed design; FIG. 2 is a side view thereof; FIG. 3 is a rear view thereof; FIG. 4 is a left side view thereof; FIG. 5 is a top view thereof; and, FIG. 6 is a bottom view thereof.

1 Claim, 3 Drawing Sheets



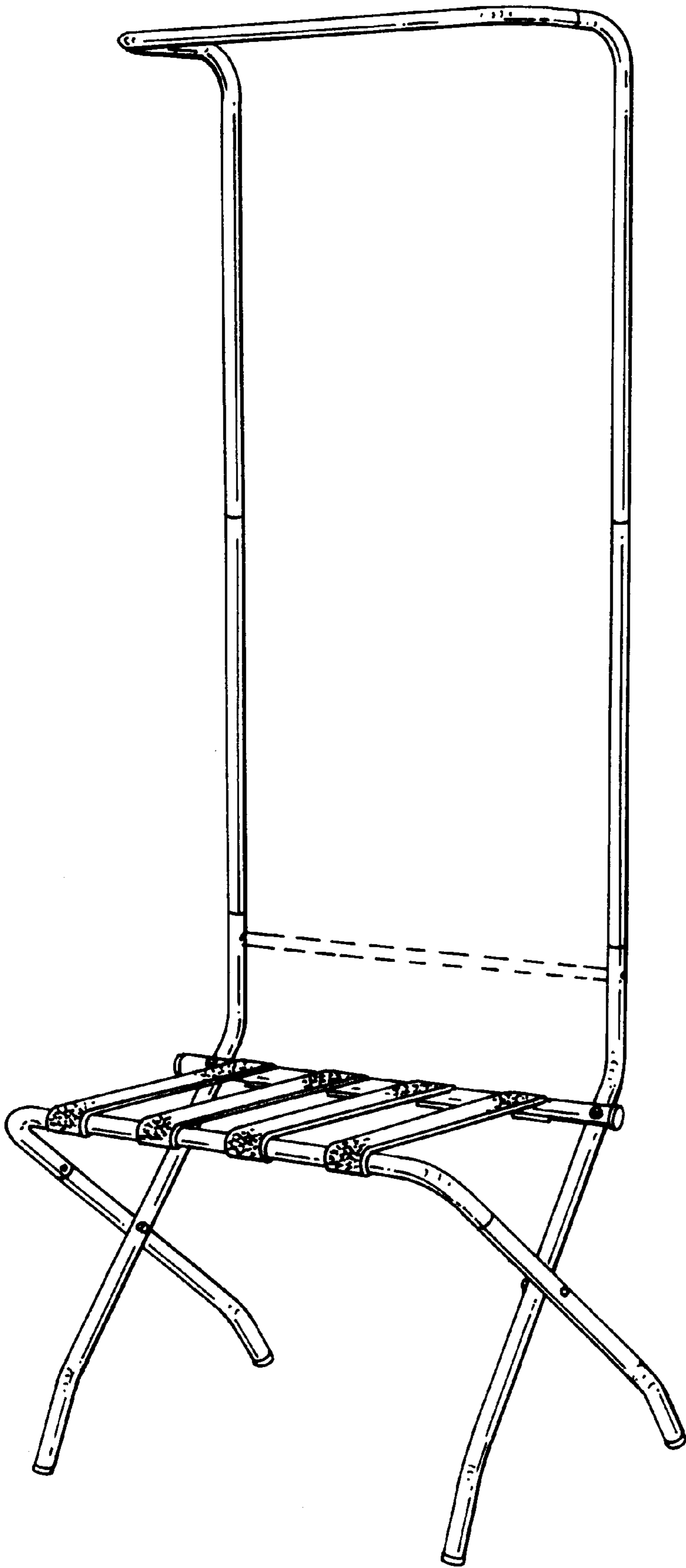


Fig. 1

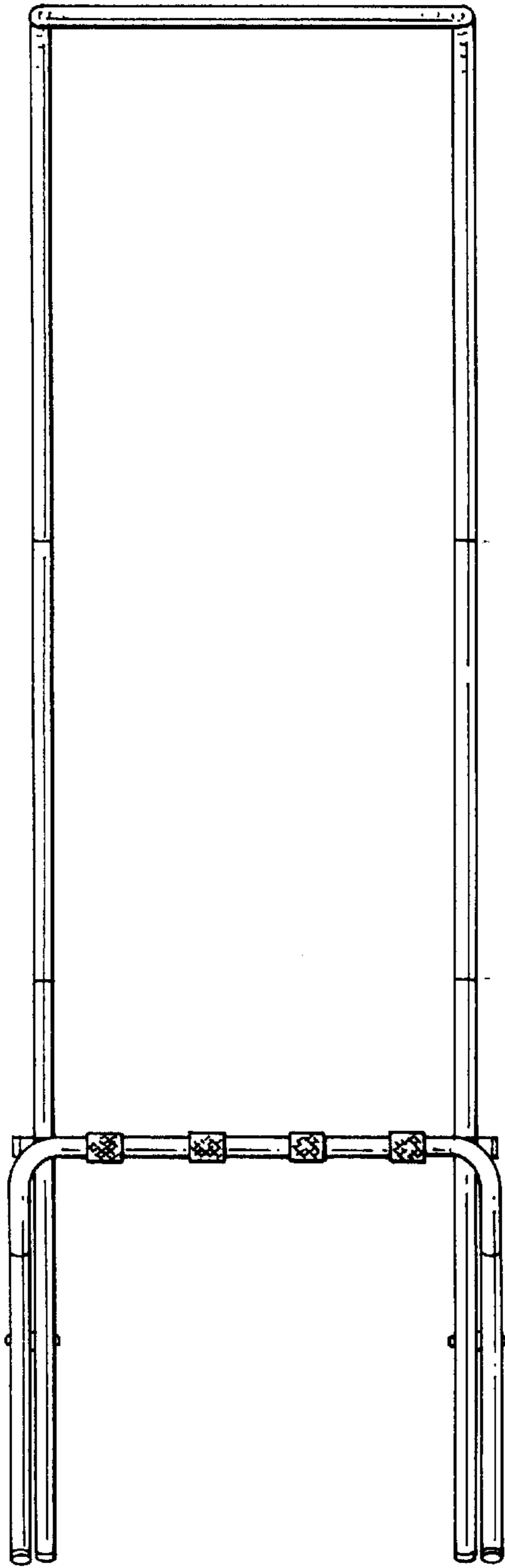


Fig. 2

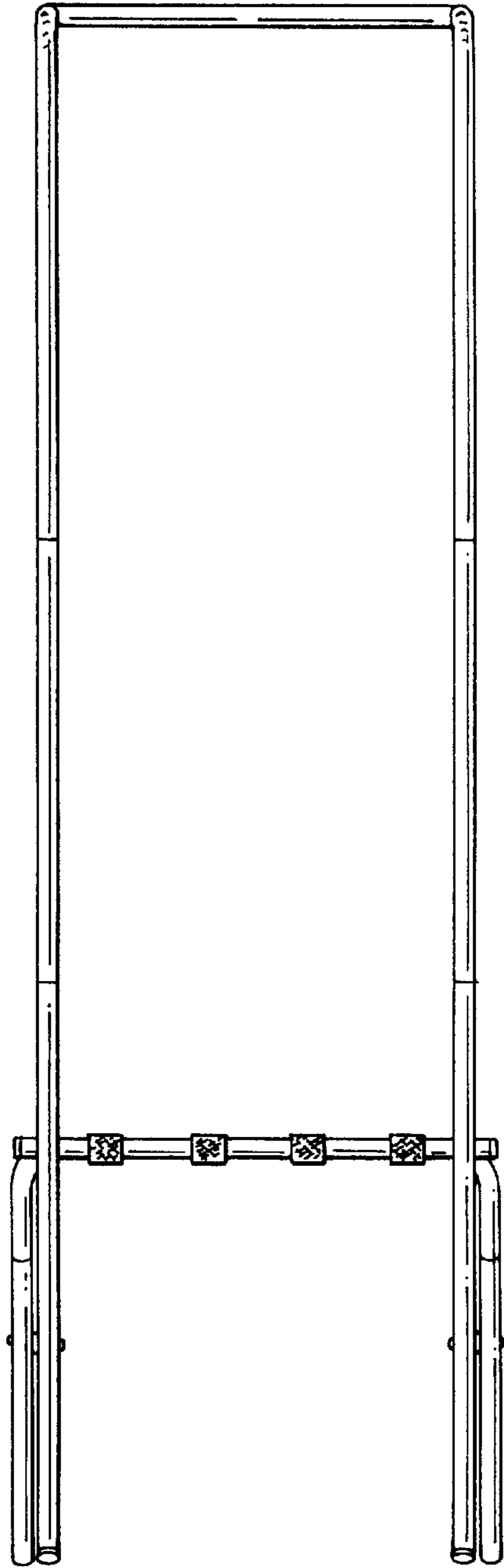


Fig. 3

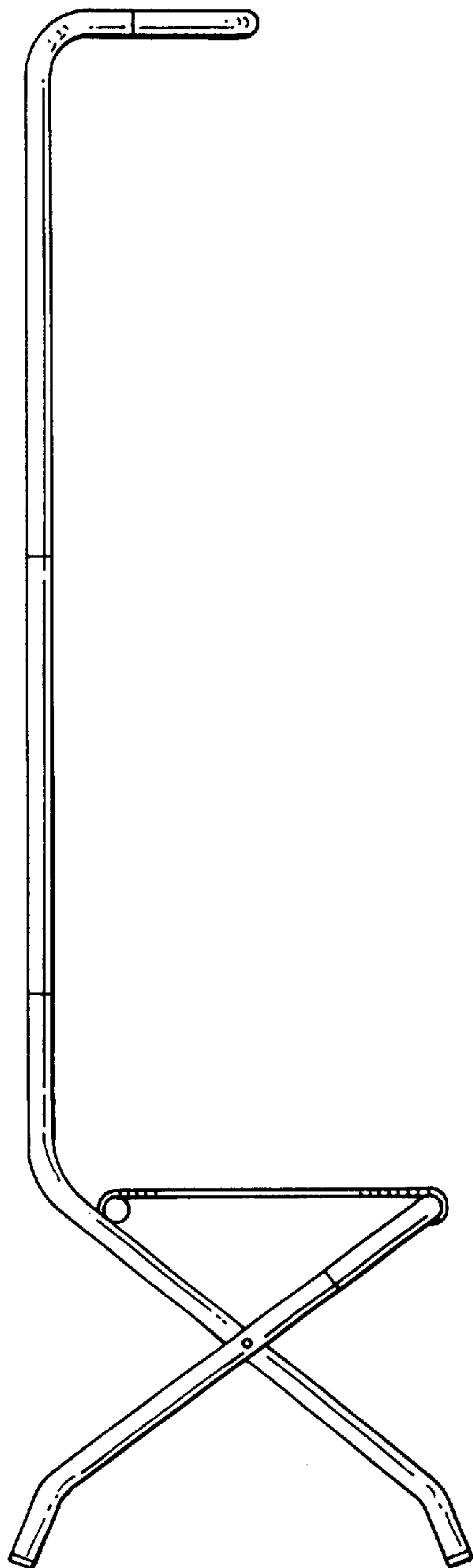


Fig. 4

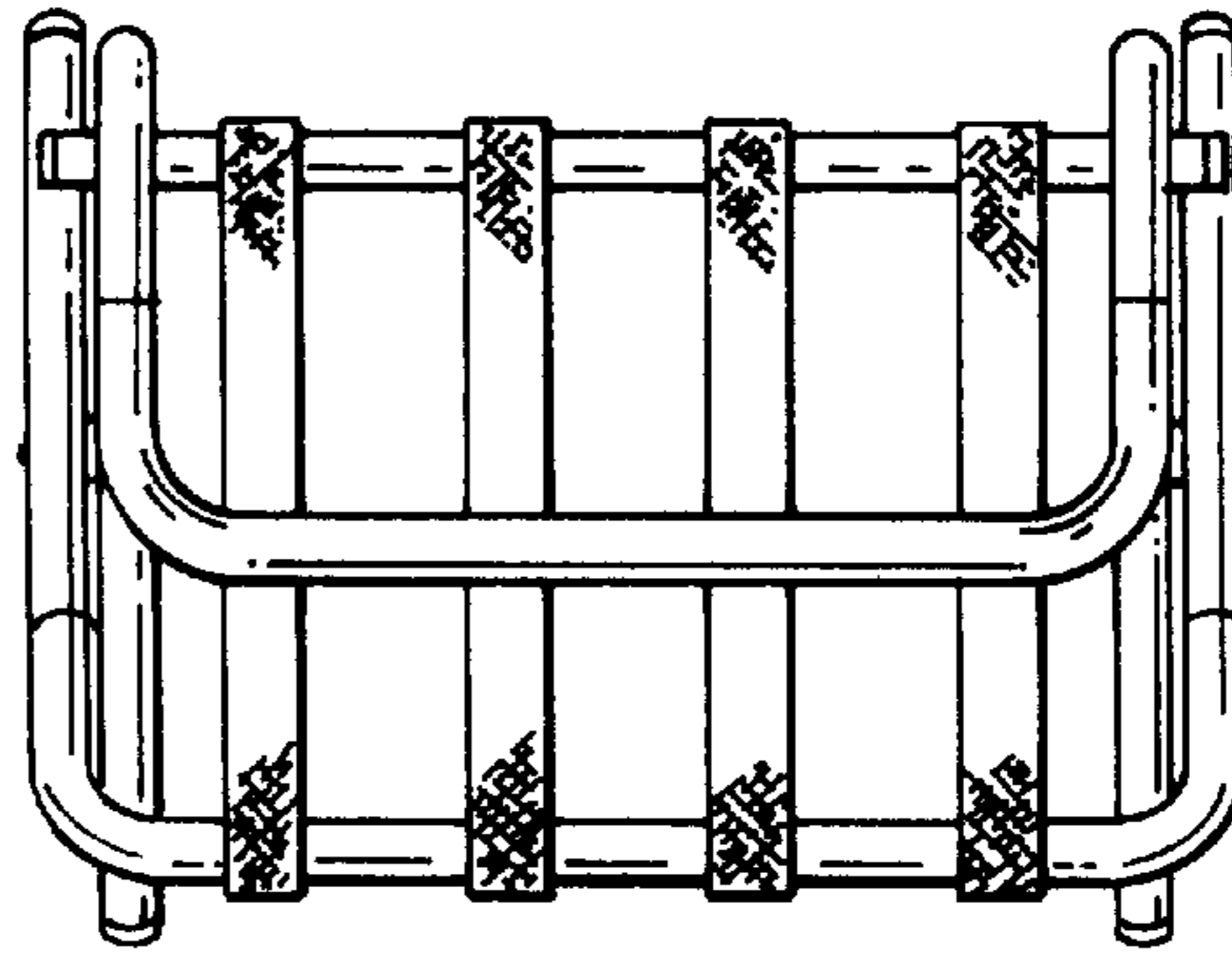


Fig. 5

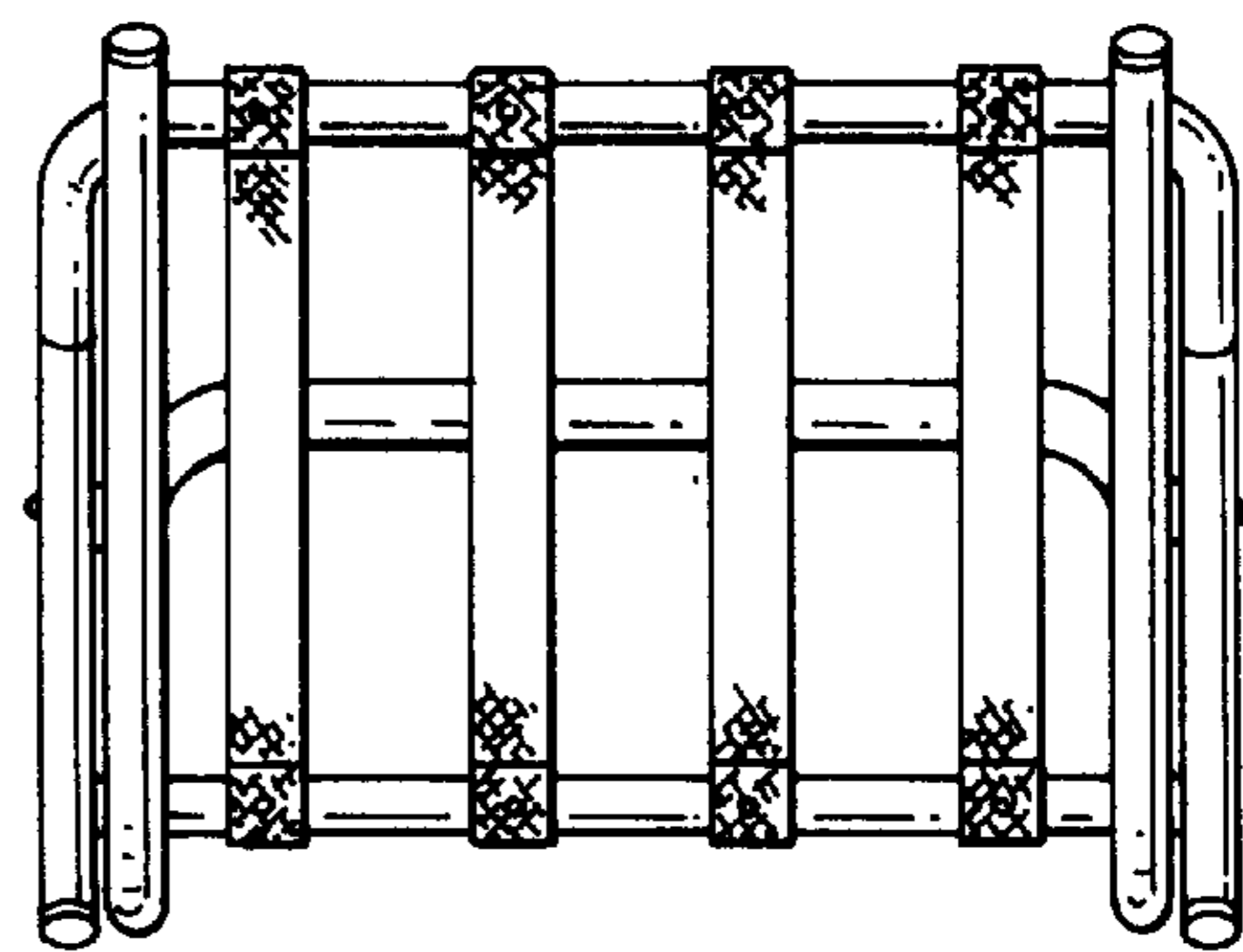


Fig. 6