



US00D451302B1

(12) **United States Design Patent**  
**Chang**

(10) **Patent No.:** **US D451,302 S**

(45) **Date of Patent:** **\*\* Dec. 4, 2001**

(54) **DESK**

(76) **Inventor:** **Chien-Kuo Chang**, F1. 10-2, No. 447,  
Sec. 2, Wen-Hsin Rd., Taichung (TW)

(\*\*) **Term:** **14 Years**

(21) **Appl. No.:** **29/130,737**

(22) **Filed:** **Oct. 10, 2000**

(51) **LOC (7) Cl.** ..... **06-03**

(52) **U.S. Cl.** ..... **D6/422; D6/480**

(58) **Field of Search** ..... D6/480-489, 495-499,  
D6/511, 426, 427, 422; 108/153.1, 156,  
157.1, 161, 50.01, 50.02, 33-35, 38, 40,  
25; 248/188, 188.1, 188.8; 312/208.1, 194-196

(56) **References Cited**

**U.S. PATENT DOCUMENTS**

D. 327,386 \* 6/1992 Grosfillex ..... D6/484  
2,329,029 \* 9/1943 Barga et al. .... 312/208.1  
2,719,771 \* 10/1955 Hoven et al. .... 108/25

**OTHER PUBLICATIONS**

Interiors, Aug. 1958, table at left.\*

\* cited by examiner

*Primary Examiner*—Janice E. Seeger

(74) *Attorney, Agent, or Firm*—Rosenberg, Klein & Lee

(57) **CLAIM**

The ornamental design for desk, as shown and described.

**DESCRIPTION**

FIG. 1 is a perspective view of desk showing my new design;

FIG. 2 is a front elevational view thereof;

FIG. 3 is a rear elevational view thereof;

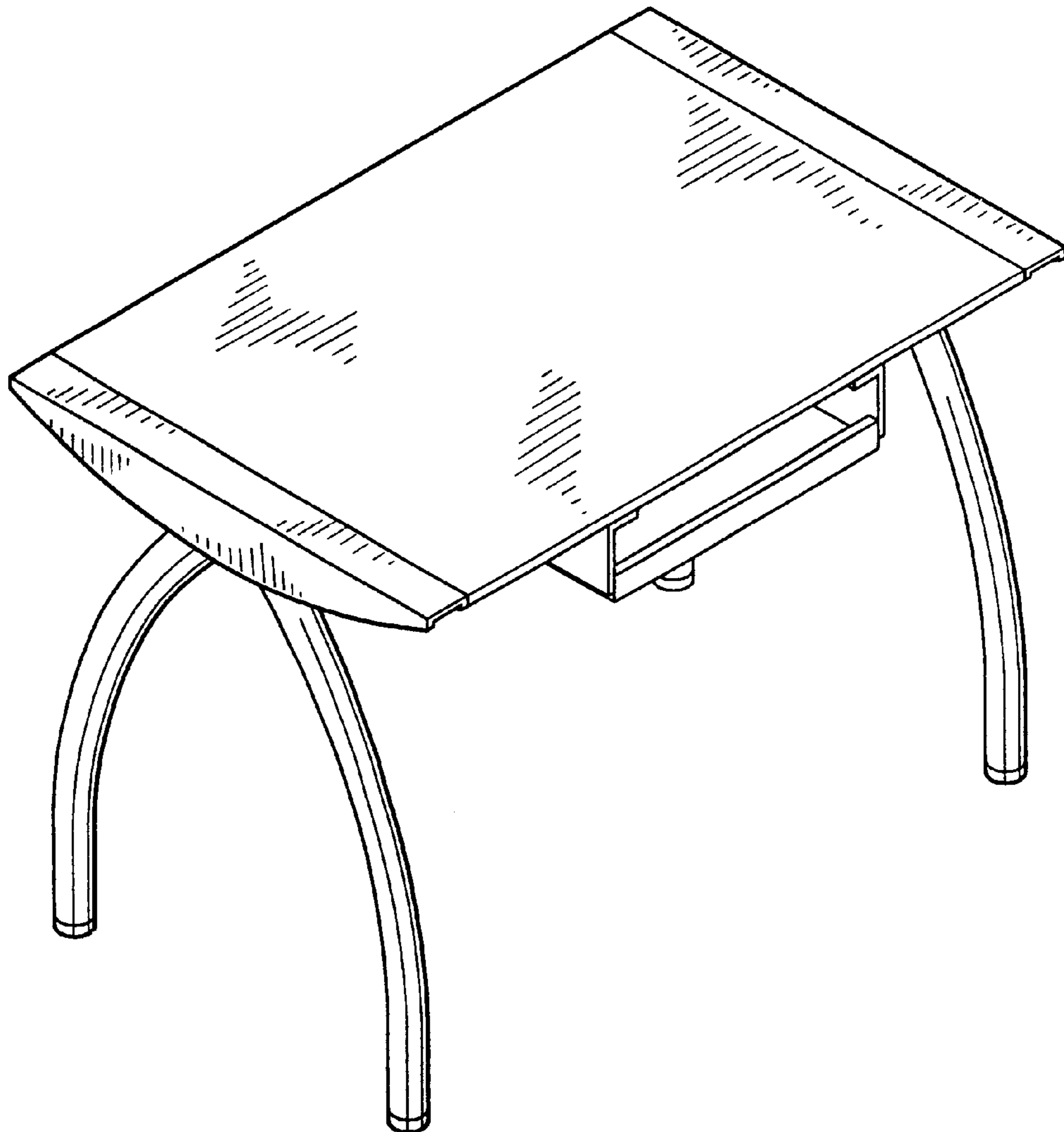
FIG. 4 is a left side elevational view thereof;

FIG. 5 is a right side elevational view thereof;

FIG. 6 is a top side elevational view thereof; and,

FIG. 7 is a bottom side elevational view thereof.

**1 Claim, 4 Drawing Sheets**



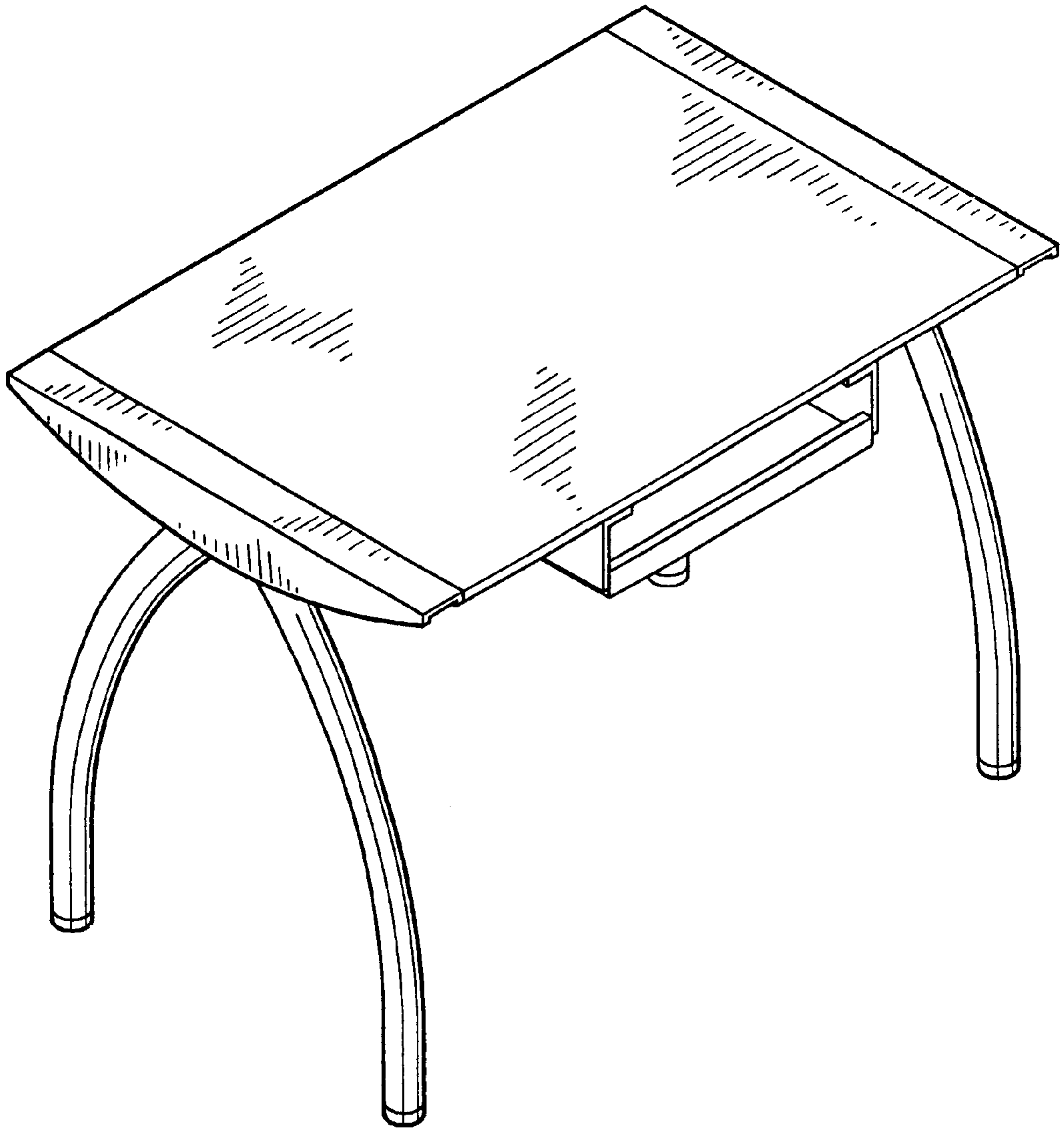


FIG. 1

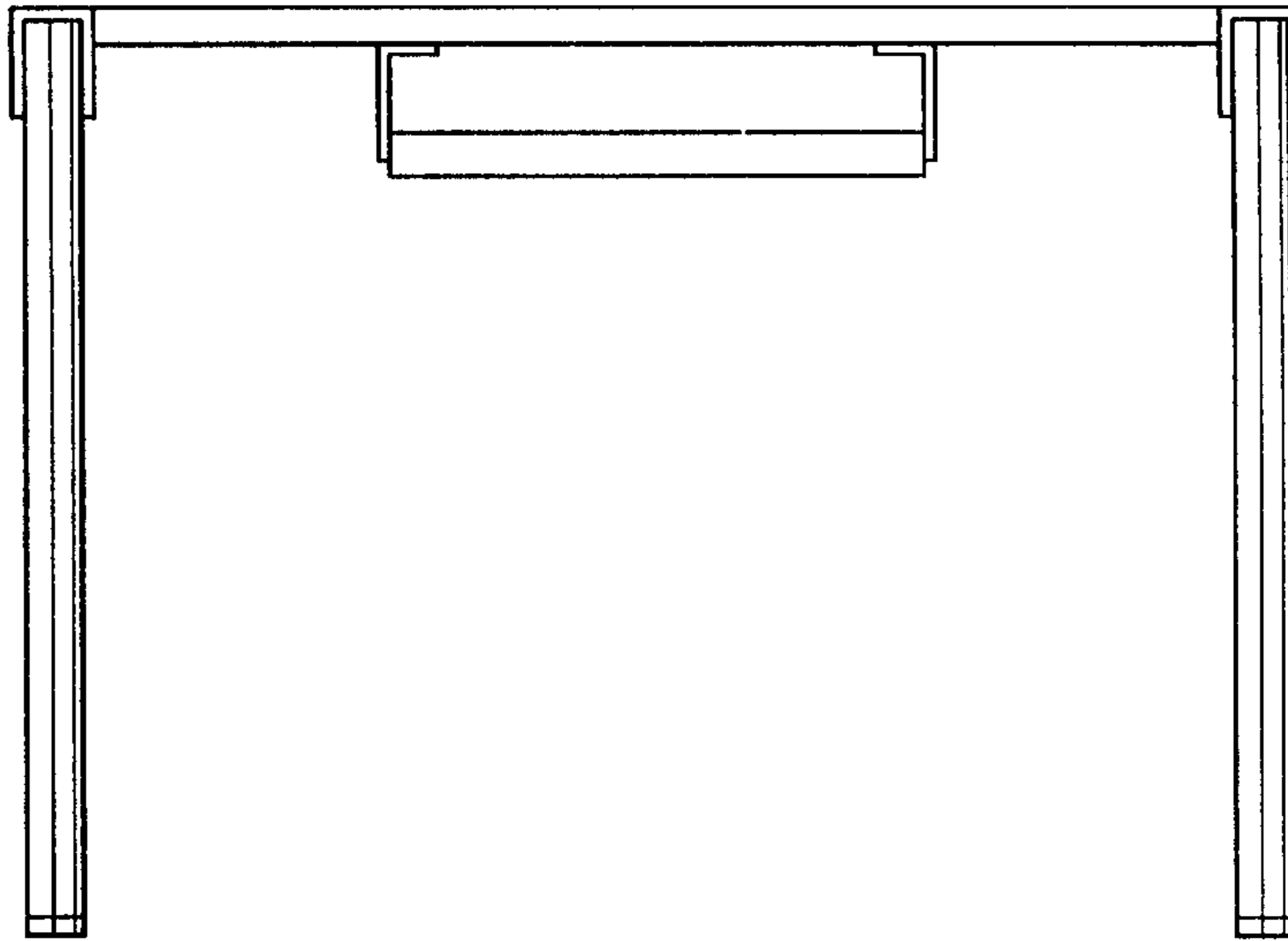


FIG. 2

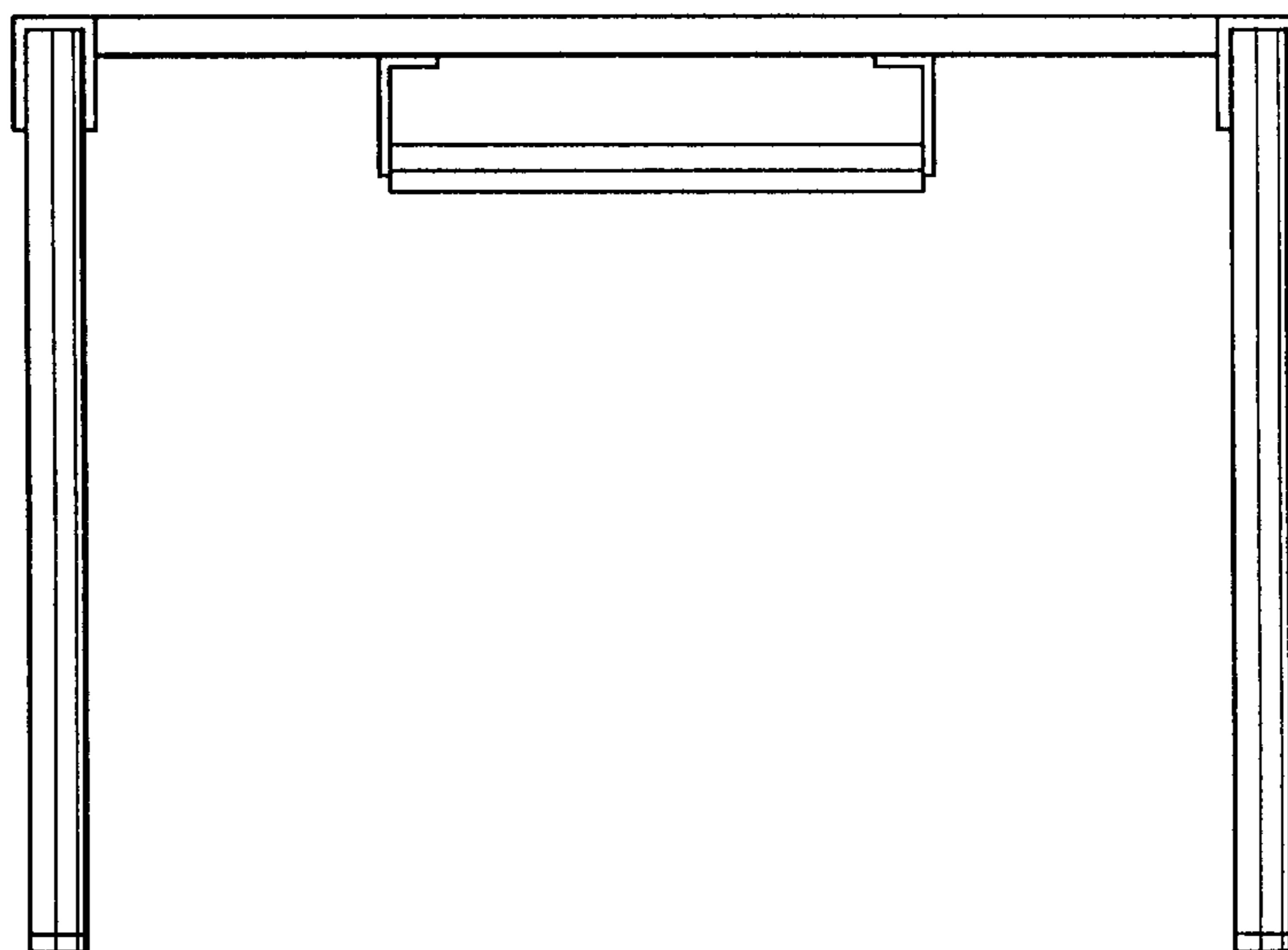


FIG. 3

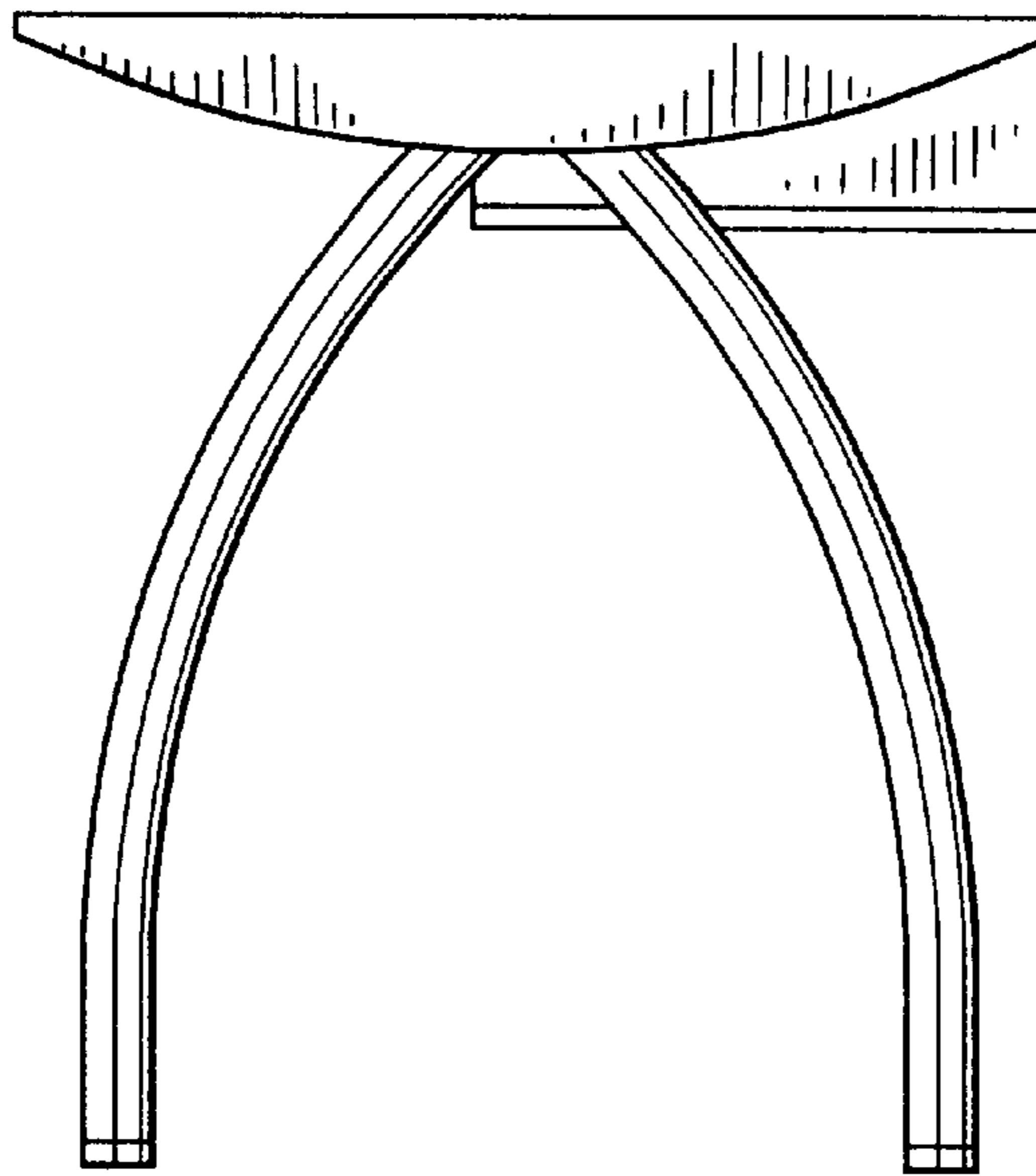


FIG. 4

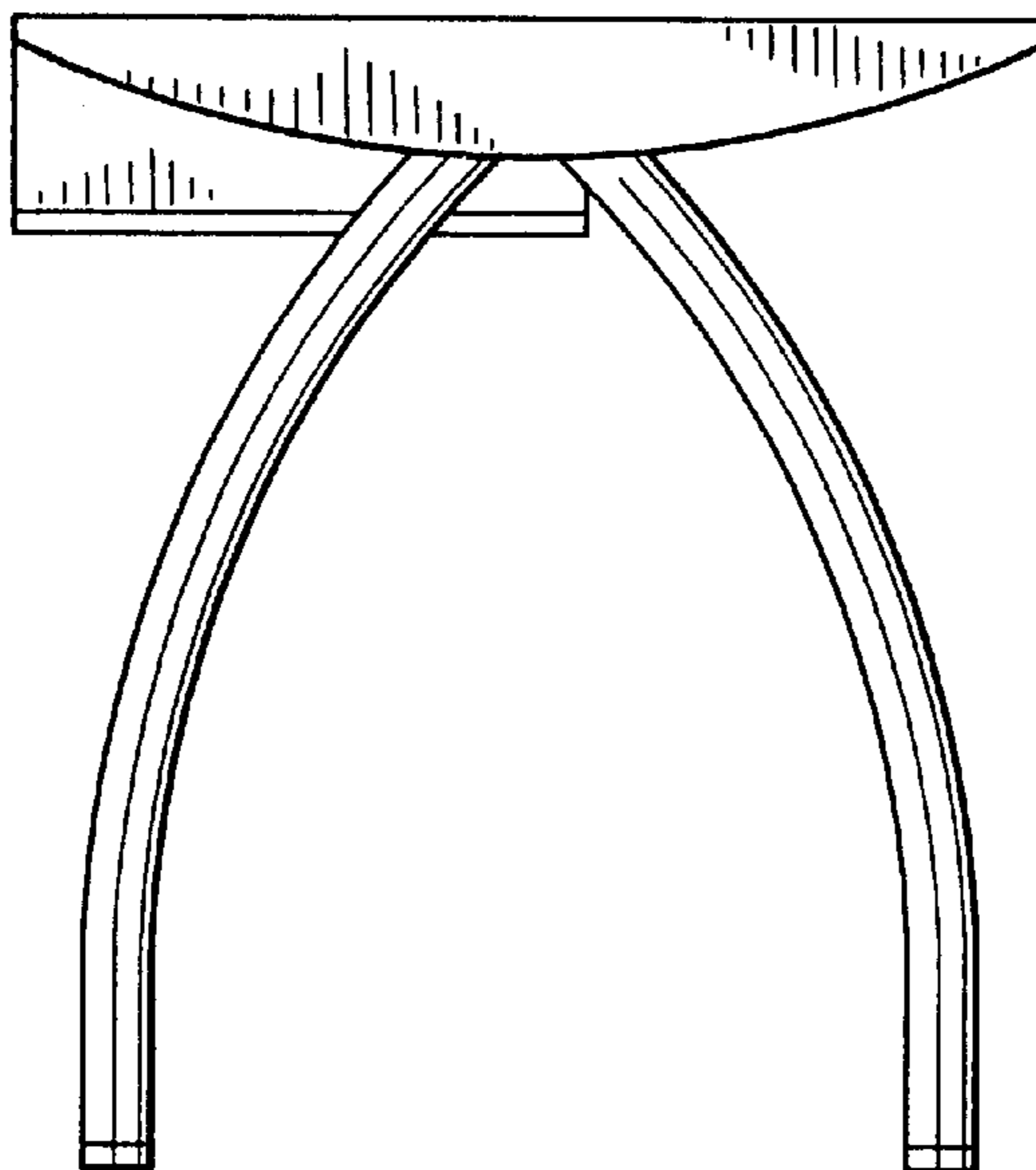


FIG. 5

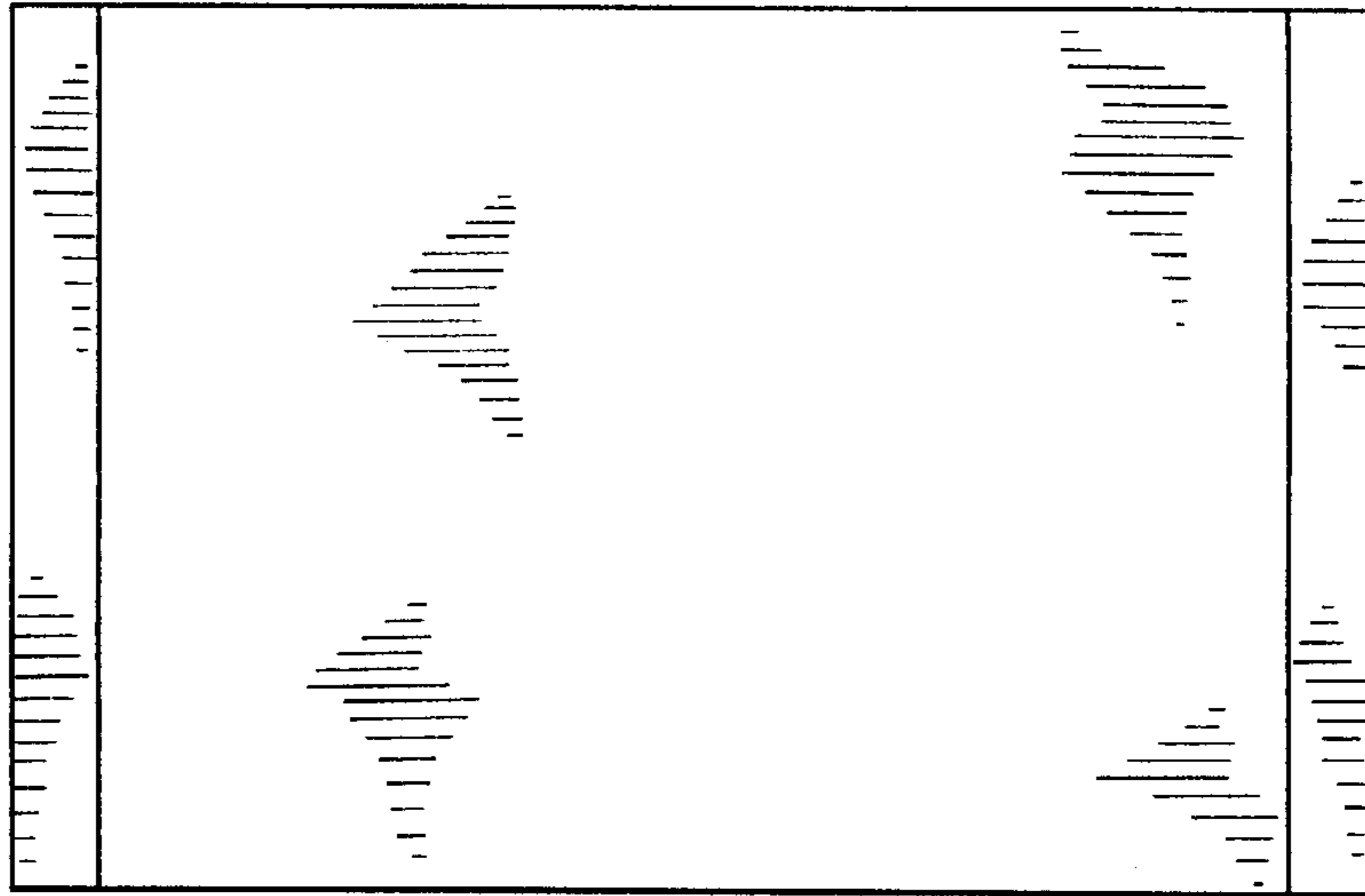


FIG. 6

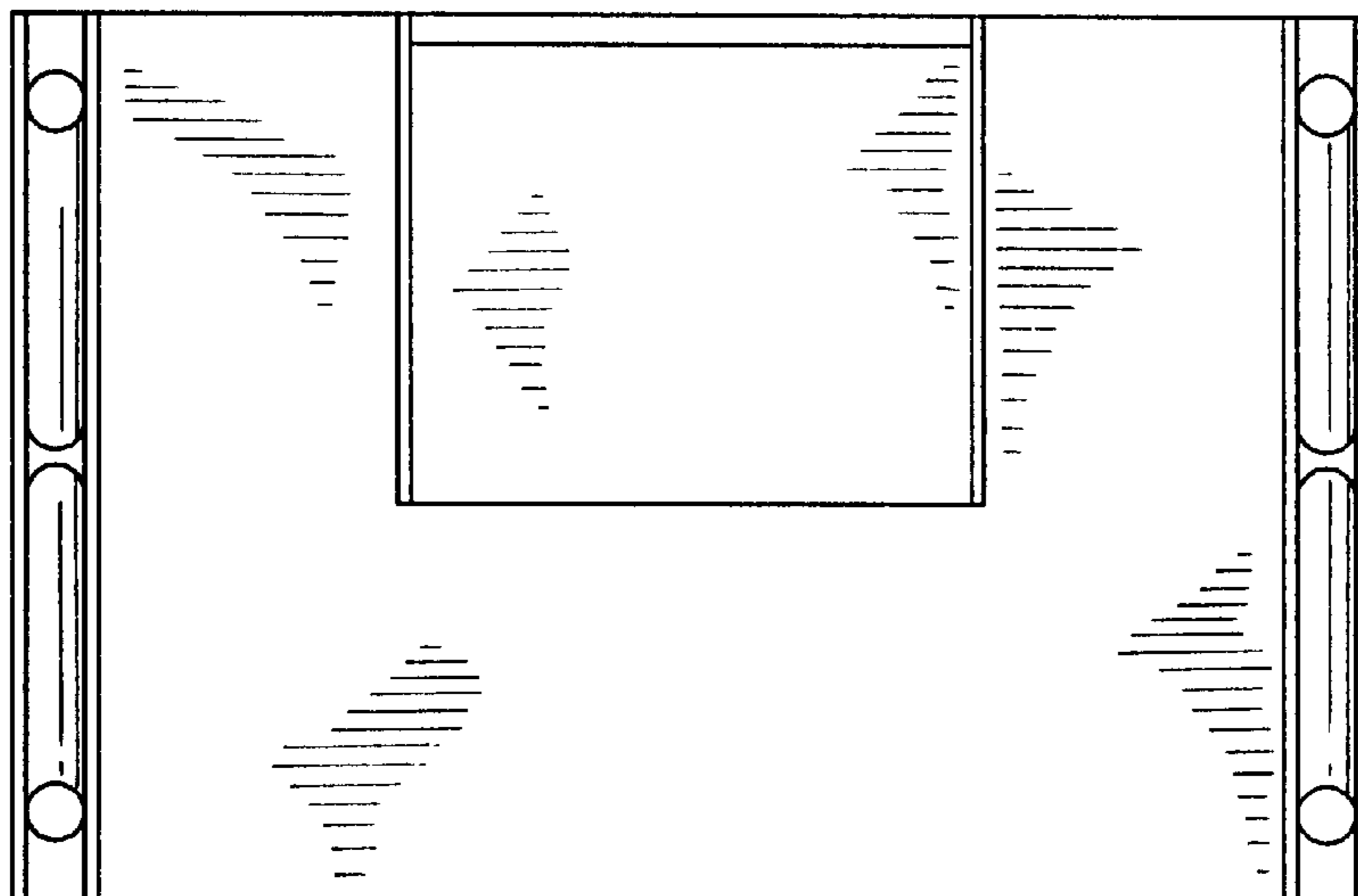


FIG. 7