



US00D451298B1

(12) **United States Design Patent**
Thomas

(10) **Patent No.:** **US D451,298 S**

(45) **Date of Patent:** **** Dec. 4, 2001**

(54) **TRELLIS WITH DECORATIVE SPRINKLER**

D. 441,830 5/2001 Wolter, Jr. .

(75) Inventor: **Joyce Thomas**, Lexington, IL (US)

OTHER PUBLICATIONS

(73) Assignee: **L. R. Nelson Corporation**, Peoria, IL (US)

Copyright VA1-040-999 for Garden Pillar (5 pages) Jan. 2000.

(**) Term: **14 Years**

* cited by examiner

(21) Appl. No.: **29/126,592**

Primary Examiner—Doris V. Coles

Assistant Examiner—Mimosa De

(22) Filed: **Jul. 18, 2000**

(74) *Attorney, Agent, or Firm*—Mayer, Brown & Platt

(51) **LOC (7) Cl.** **06-99**

(52) **U.S. Cl.** **D6/404**

(58) **Field of Search** D11/143-155;
D6/403-405, 455, 458, 460, 556, 557, 558;
D7/704; 47/39, 41.01, 44, 46, 47, 65.5,
67, 70; 206/423; 211/85.23, 85.31, 106,
181.1; 248/127.8, 121, 153, 175

(57) **CLAIM**

The ornamental design for a trellis with decorative sprinkler, as shown and described.

DESCRIPTION

FIG. 1 is a front perspective view of a trellis with decorative sprinkler;
FIG. 2 is a front elevational view thereof;
FIG. 3 is a right side elevational view thereof;
FIG. 4 is a top plan view thereof; and,
FIG. 5 is a bottom plan view thereof.
The left side view is symmetrical to the right side view and the rear view is symmetrical to the front view.

(56) **References Cited**

U.S. PATENT DOCUMENTS

- D. 245,136 * 7/1977 Hughes, Jr. D6/405
- D. 384,222 * 9/1997 Cheng D6/403
- D. 390,725 * 2/1998 Vairo D6/458
- D. 431,128 * 9/2000 Rehmert et al. D6/405

1 Claim, 1 Drawing Sheet

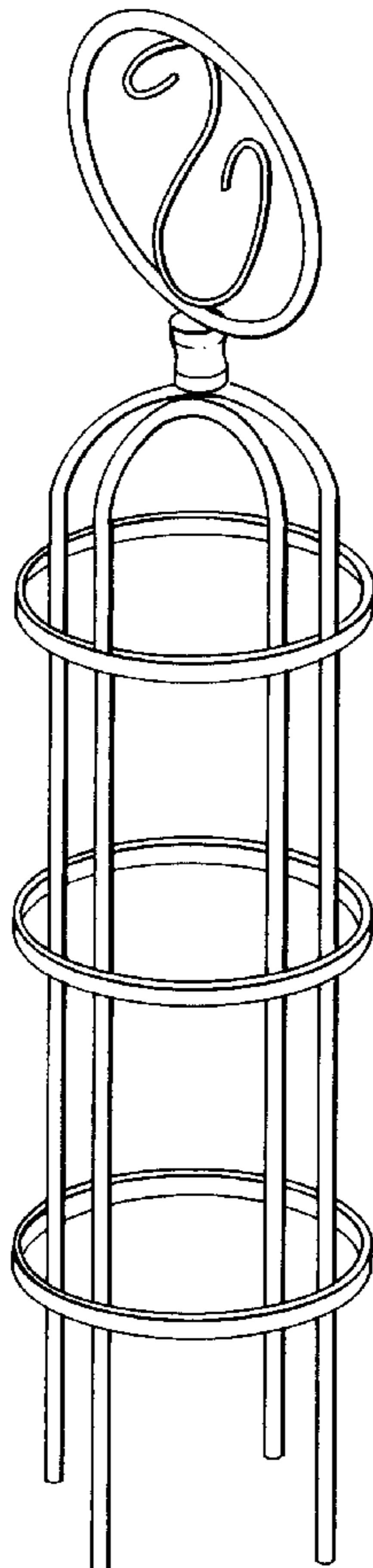


FIG. 1

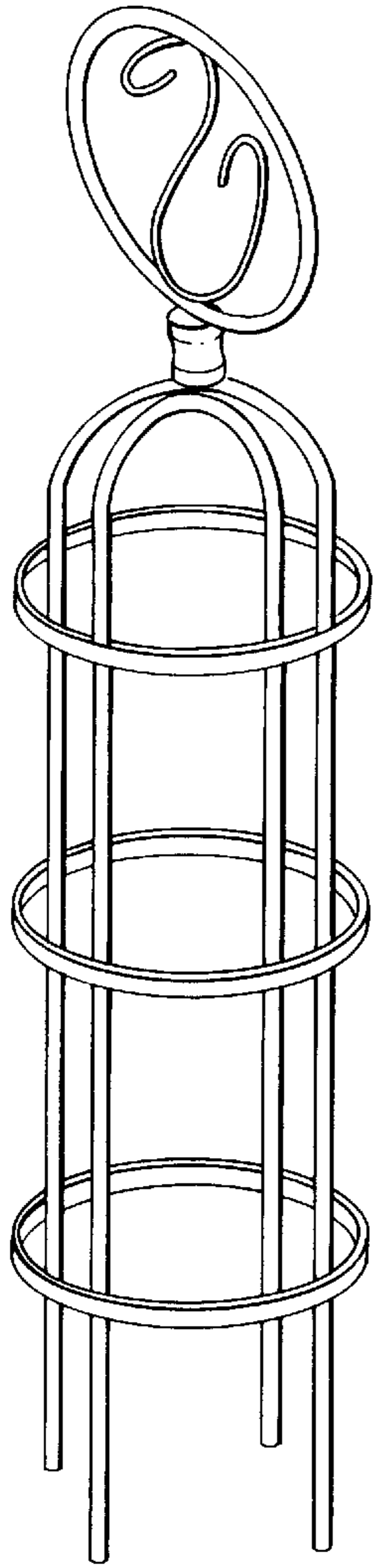


FIG. 2

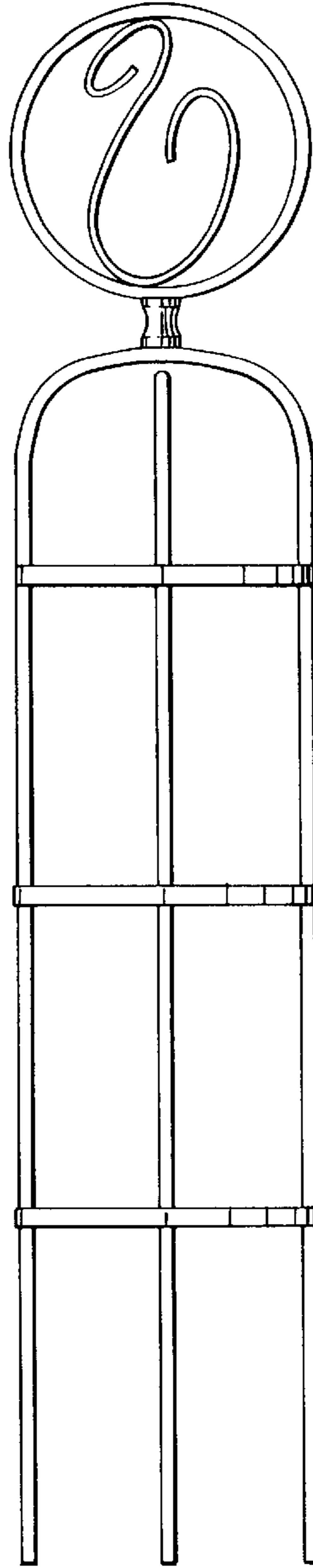


FIG. 3

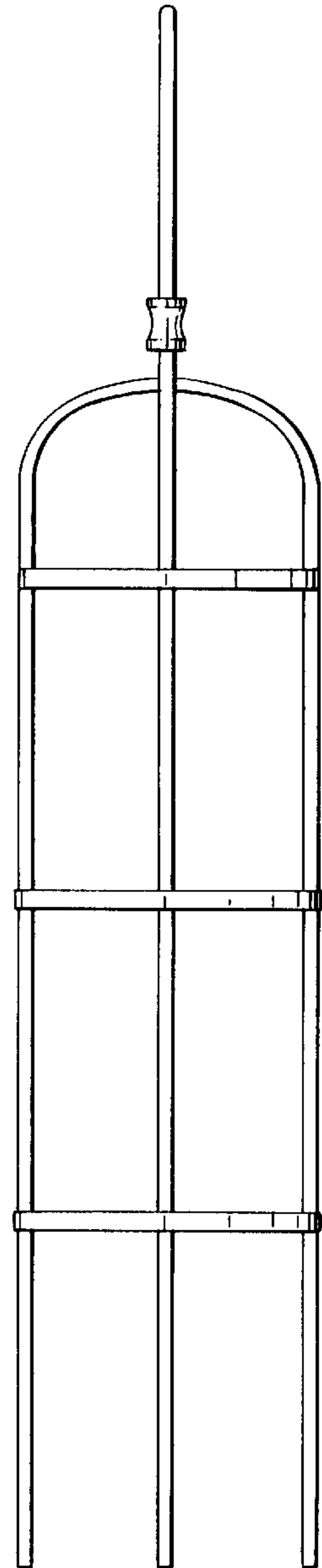


FIG. 4

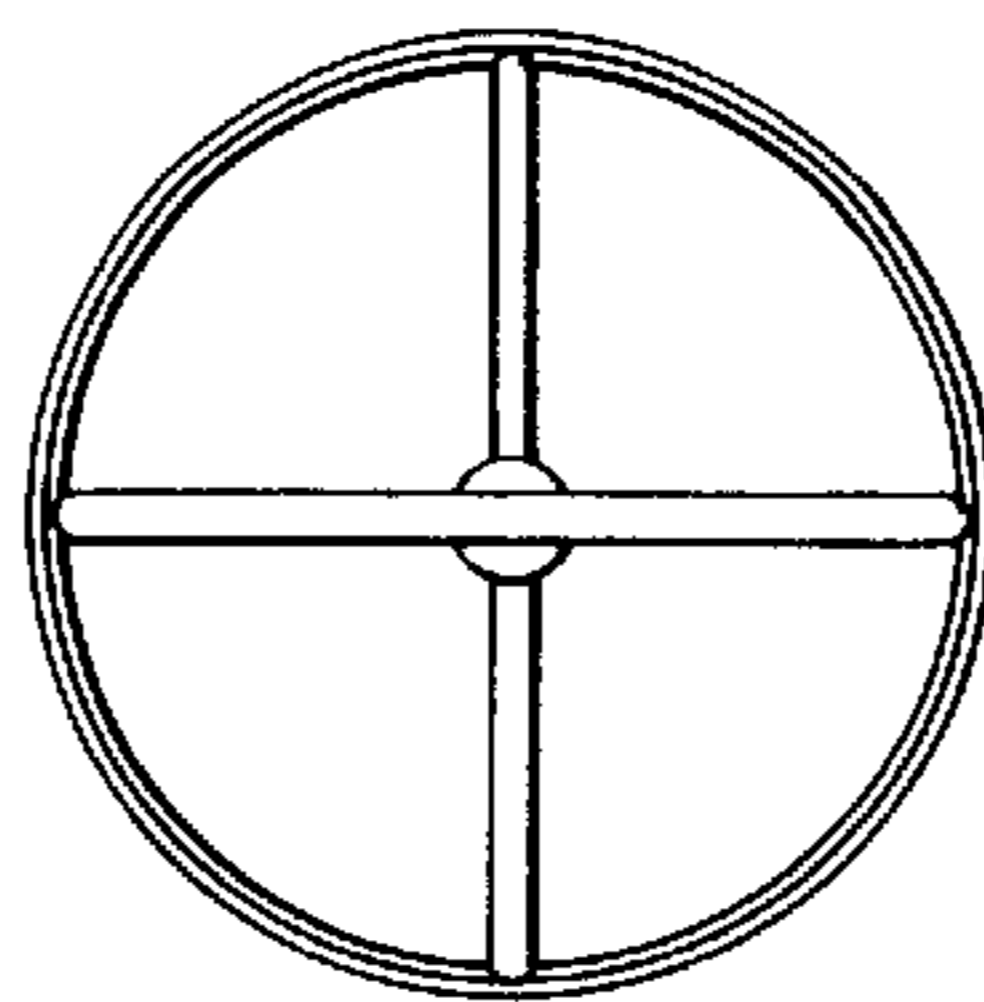


FIG. 5

