



US00D451296B1

(12) **United States Design Patent**
Stewart

(10) **Patent No.:** **US D451,296 S**

(45) **Date of Patent:** **** Dec. 4, 2001**

- (54) **SEAT**
- (75) Inventor: **Kipp Stewart**, Carmel, CA (US)
- (73) Assignee: **Landscape Forms, Inc.**, Kalamazoo, MI (US)
- (**) Term: **14 Years**
- (21) Appl. No.: **29/130,232**
- (22) Filed: **Sep. 29, 2000**
- (51) **LOC (7) Cl.** **06-01**
- (52) **U.S. Cl.** **D6/370; D6/381**
- (58) **Field of Search** D6/349-353, 370, D6/355, 495-499, 387, 381, 382; 297/461, 462, 195.11, 423.1, 423.11, 423.39, 423.41, 423.42, 423.43

(56) **References Cited**

U.S. PATENT DOCUMENTS

- D. 299,595 * 1/1989 Shields D6/335
- D. 336,796 * 6/1993 Chang D6/370
- D. 386,322 * 11/1997 Maury D6/370

OTHER PUBLICATIONS

- Landscape Forms Inc., 1995, bench at top, p. 11.*
- Dalvey Products, Aug. 15, 1995, Bench #A.*
- Sling Console Table, Bradford Stewart & Company, Palo Alto, CA, 1995, 2 pp.

Poolside Collection, Bradford Stewart & Company, Oakland, CA, 1996, 2 pp.

* cited by examiner

Primary Examiner—Janice E. Seeger
(74) *Attorney, Agent, or Firm*—Heslin Rothenberg Farley & Mesiti, P.C.

(57) **CLAIM**

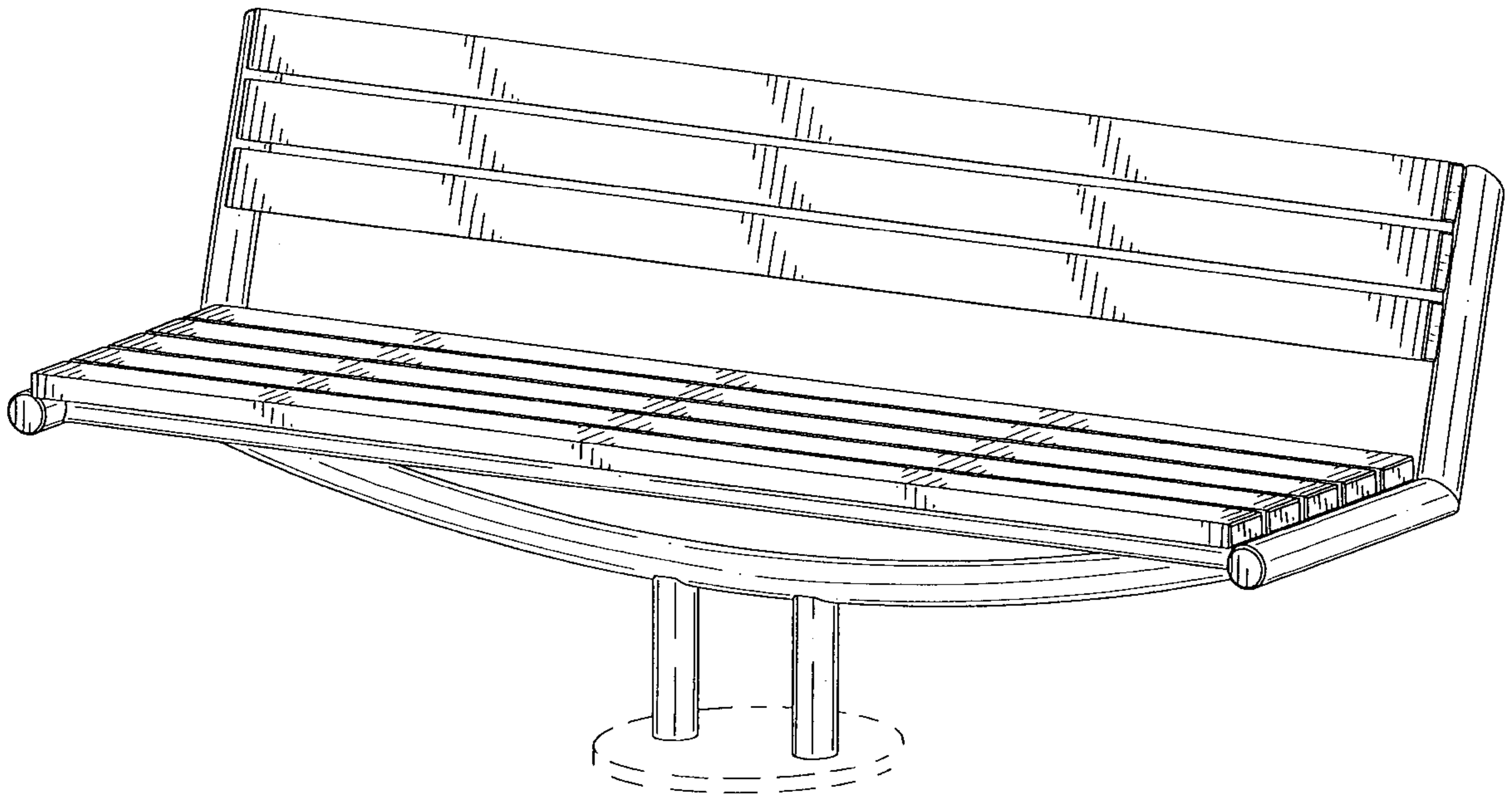
The ornamental design for a seat, as shown and described.

DESCRIPTION

FIG. 1 is an isometric view of the seat of my design; FIG. 2 is a top plan view. FIG. 3 is a front elevational view. FIG. 4 is a left side elevational view, the right side elevational view being a mirror image thereof; FIG. 5 is a back elevational view. FIG. 6 is a bottom plan view; and, FIG. 7 is an isometric view of the seat of my new design, the only difference from FIG. 1 being the broken line showing of side arms.

The broken line showing in the drawing figures is for illustrative purposes only and forms no part of the claimed design.

1 Claim, 7 Drawing Sheets



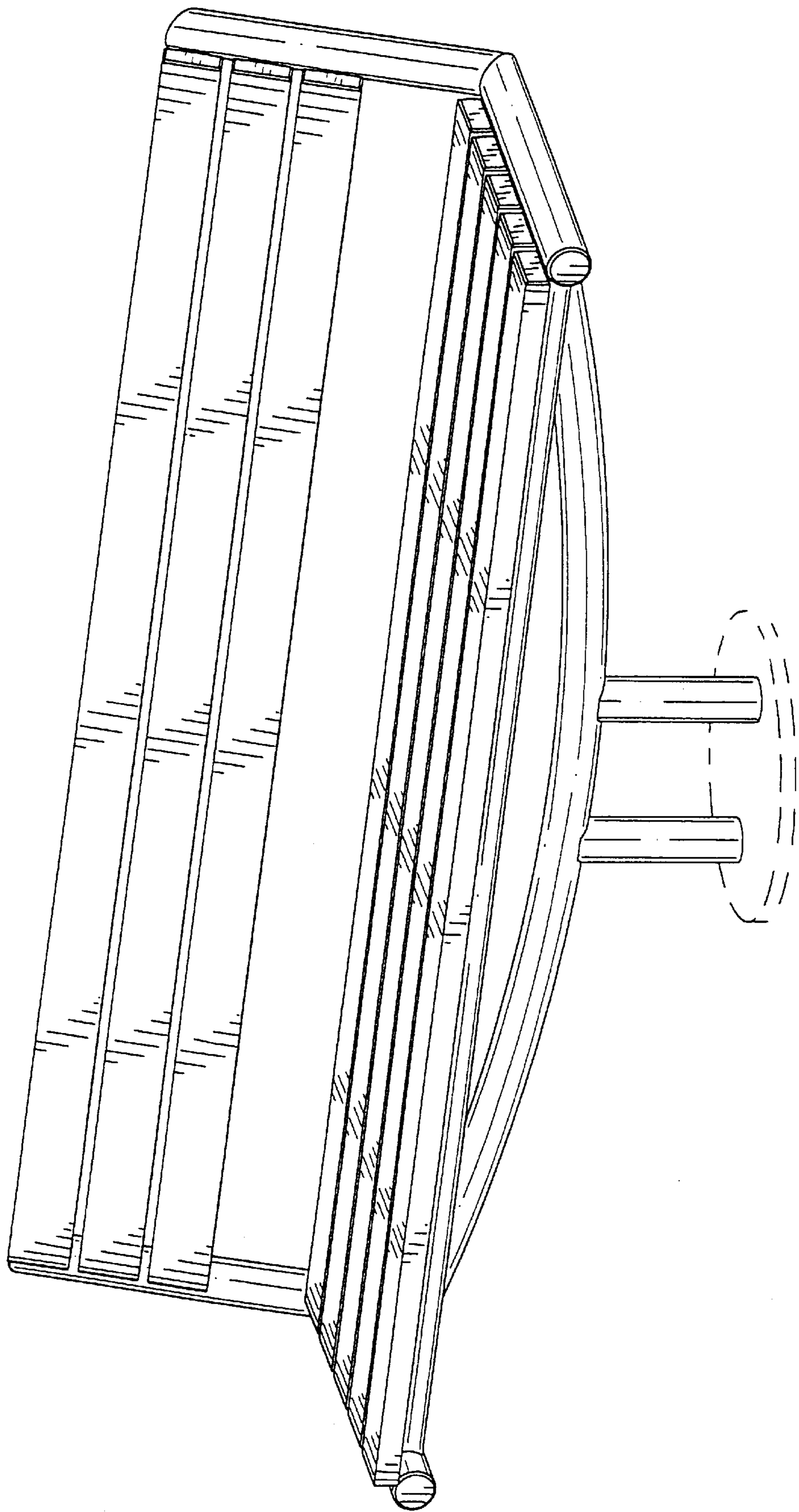


FIG. 1

FIG. 2

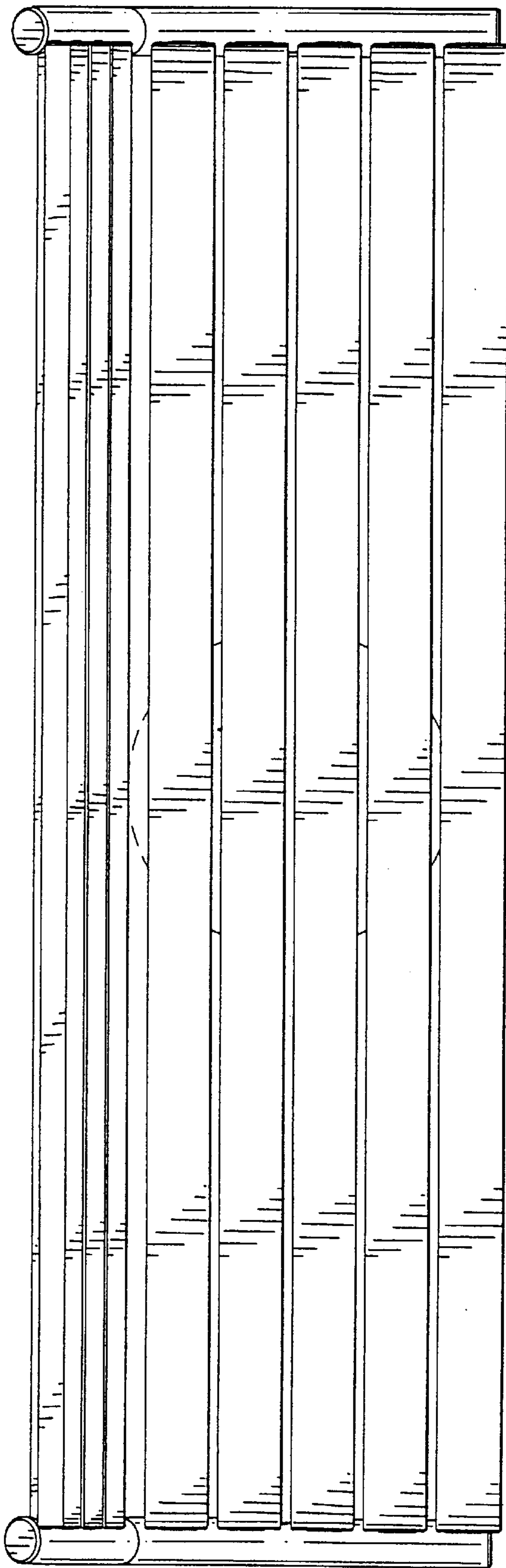
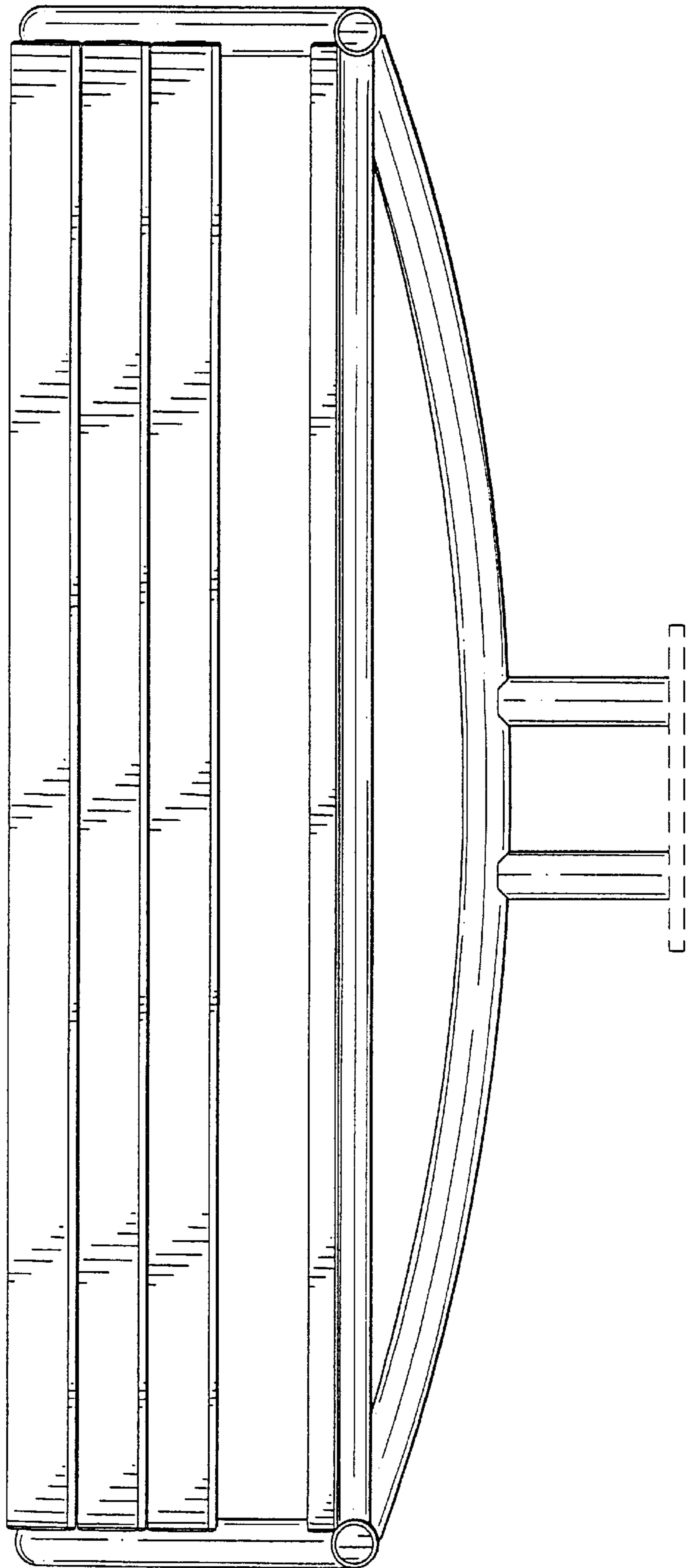


FIG. 3



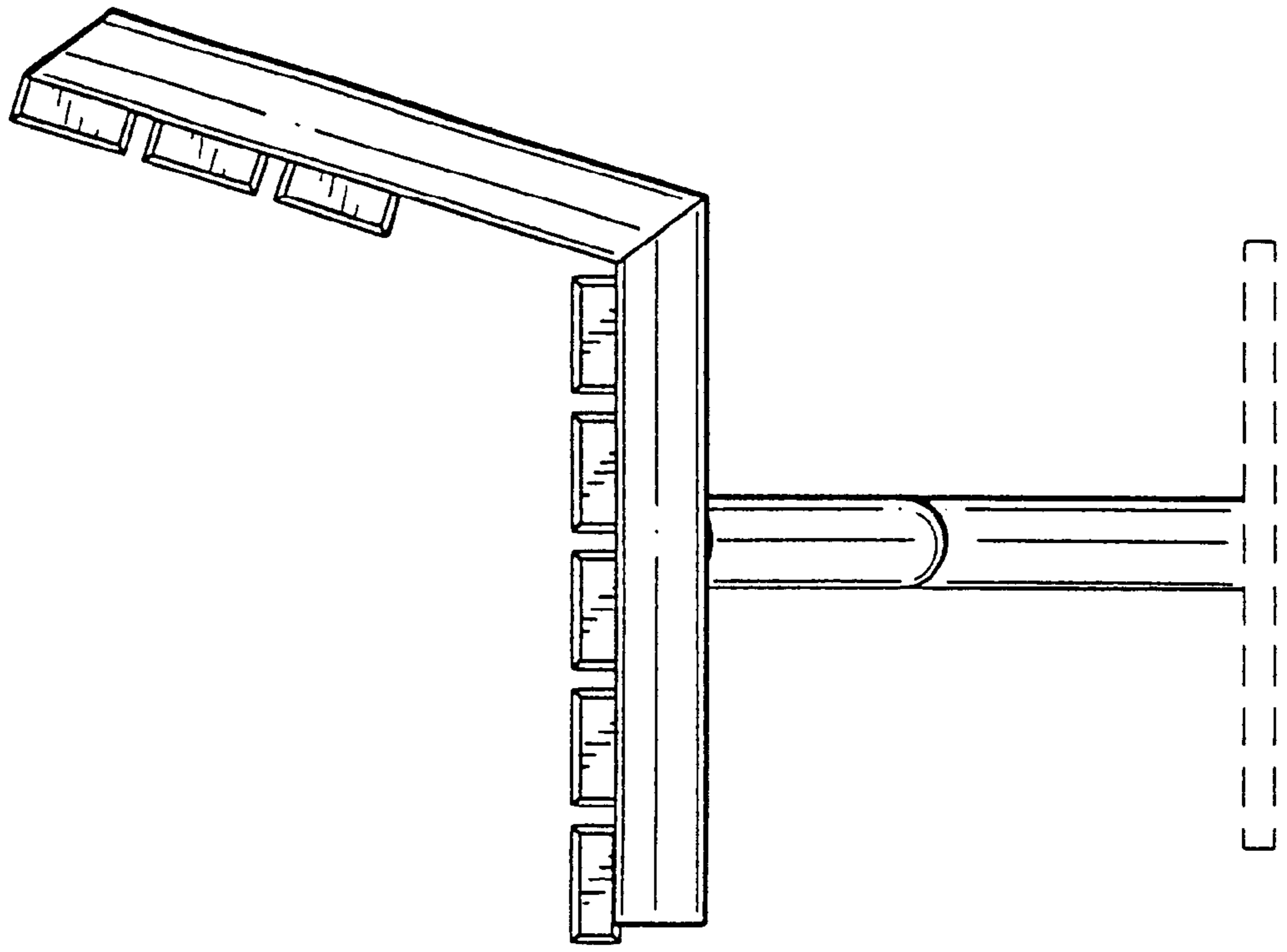


FIG. 4

FIG. 5

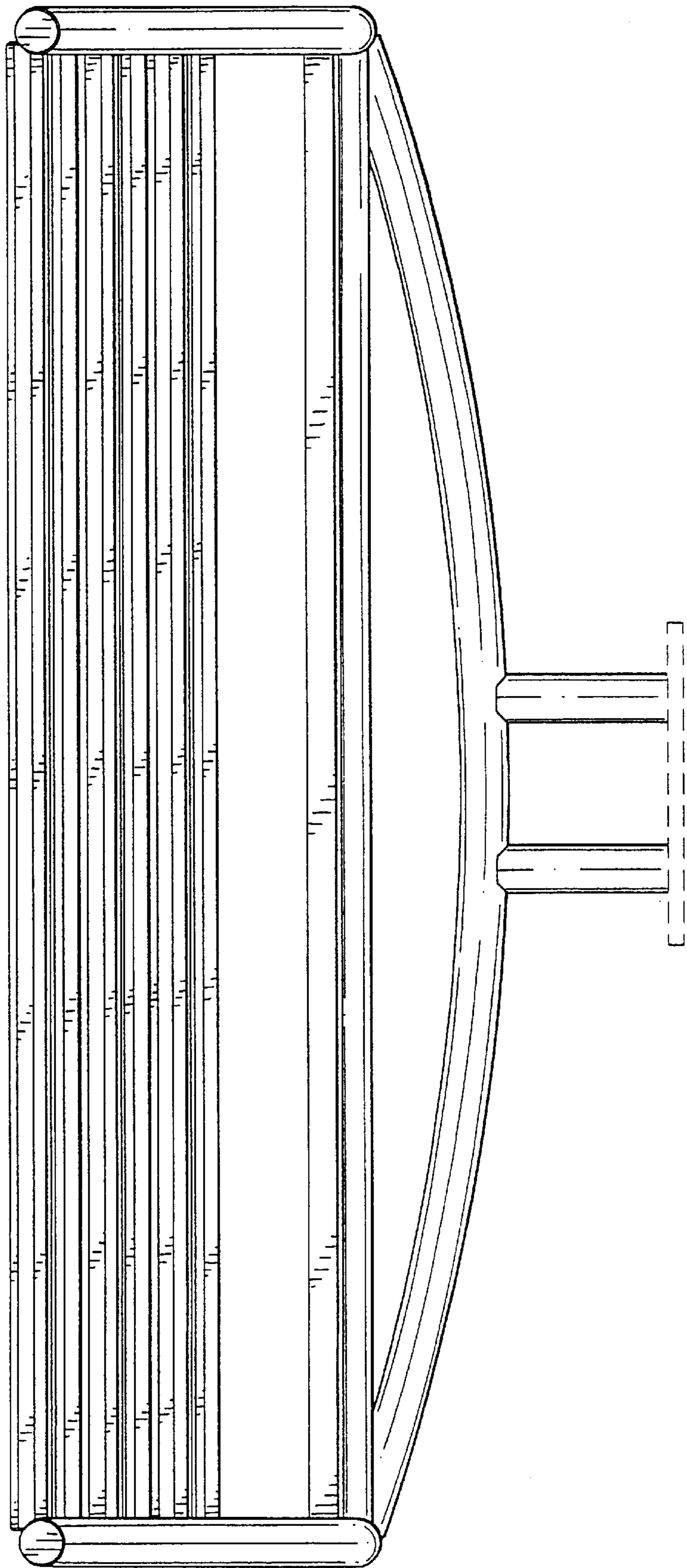
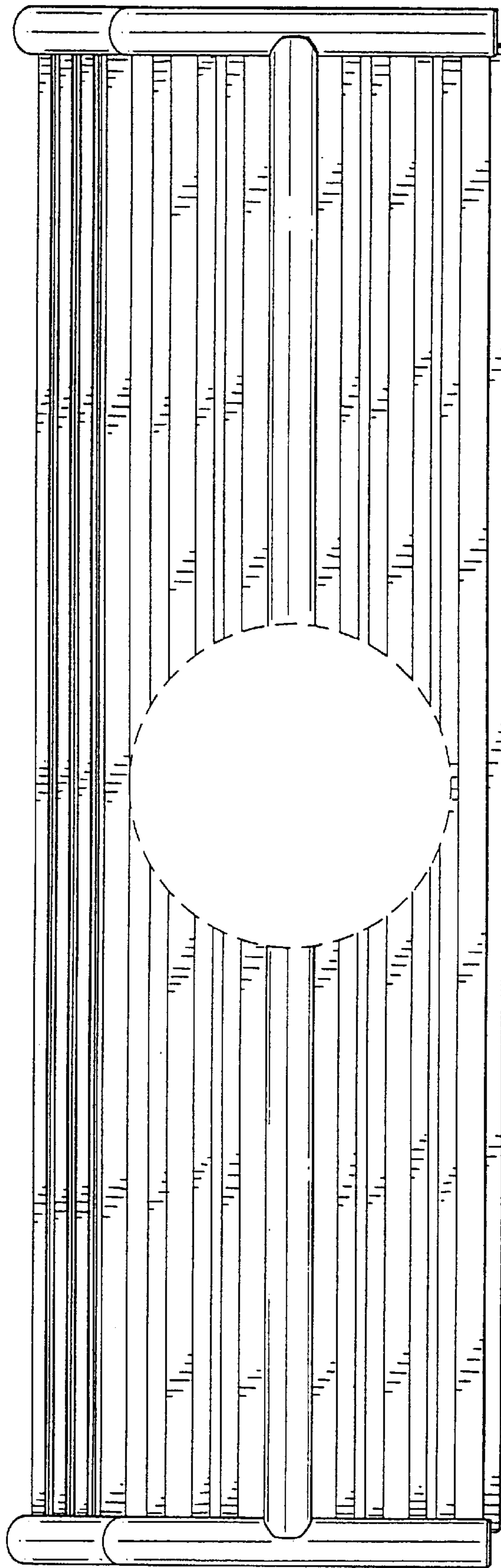


FIG. 6



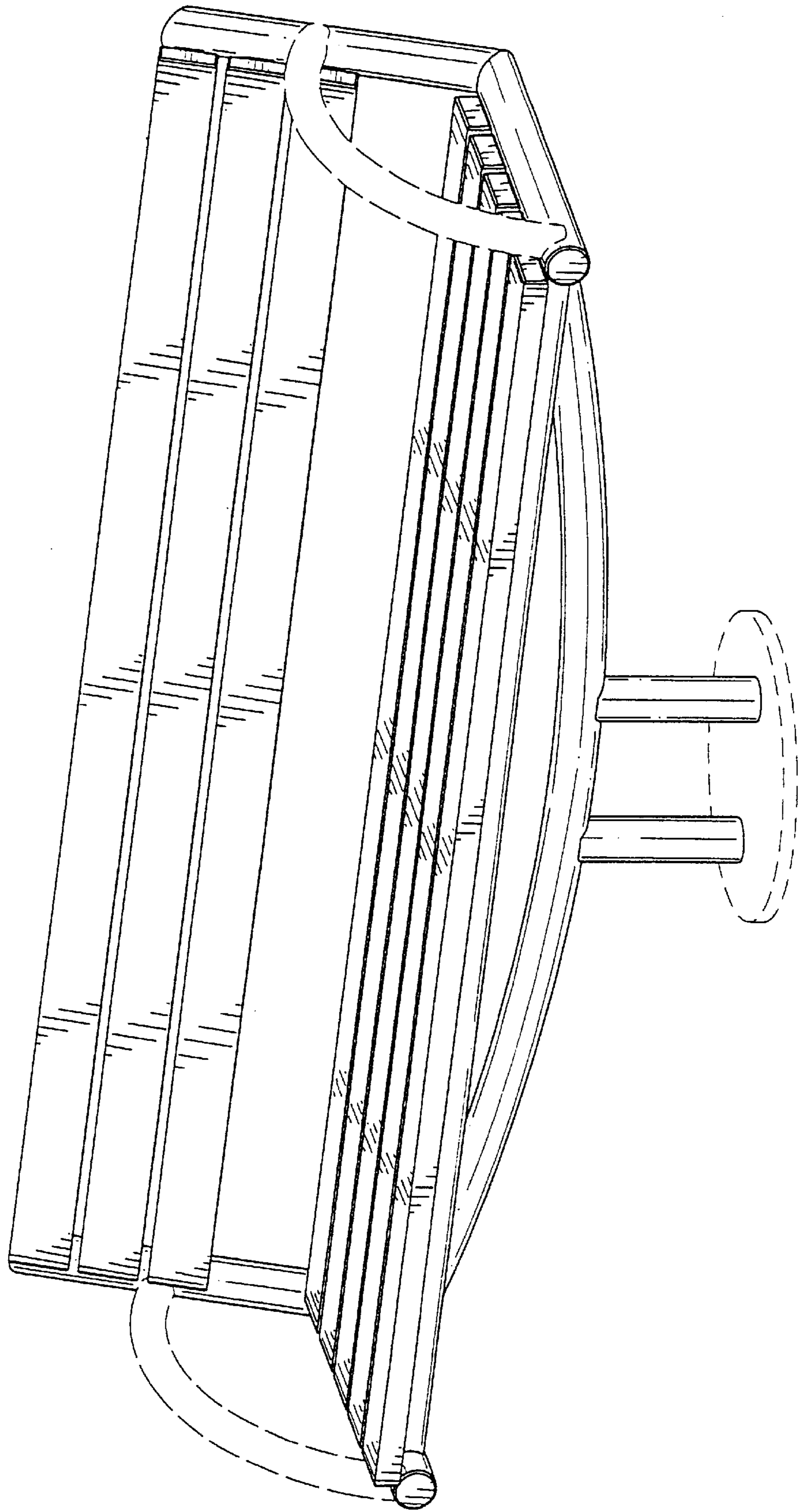


FIG. 7