



US00D451293B1

(12) **United States Design Patent**
Su

(10) **Patent No.:** **US D451,293 S**

(45) **Date of Patent:** **** Dec. 4, 2001**

(54) **CHAIR**

(76) **Inventor:** **Tung-Hua Su**, No. 16, Alley 23, Lane 900, Min Sheng St., Kuei Jen, Tainan Hsien (TW)

(**) **Term:** **14 Years**

(21) **Appl. No.:** **29/134,752**

(22) **Filed:** **Jan. 9, 2001**

(51) **LOC (7) Cl.** **06-01**

(52) **U.S. Cl.** **D6/366**

(58) **Field of Search** D6/334, 335, 364, D6/365, 366, 367, 500, 501, 502; 297/411.2, 411.27, 411.36

(56) **References Cited**

U.S. PATENT DOCUMENTS

- D. 346,279 * 4/1994 Stumpf et al. D6/366
- D. 363,383 * 10/1995 Cronk D6/366
- D. 390,712 * 2/1998 Koepke et al. D6/366
- D. 407,911 * 4/1999 Bräuning D6/366

- D. 423,259 * 4/2000 Grove D6/500
- D. 423,260 * 4/2000 Grove D6/500
- D. 431,400 * 10/2000 Grove D6/500
- D. 440,419 * 4/2001 Röder D6/366

* cited by examiner

Primary Examiner—Gary D. Watson

(74) *Attorney, Agent, or Firm*—Charles E. Baxley

(57) **CLAIM**

The ornamental design for a chair, as shown.

DESCRIPTION

FIG. 1 is a perspective view of a chair showing my new design;
 FIG. 2 is a front elevation view thereof;
 FIG. 3 is a rear elevation view thereof;
 FIG. 4 is a left side elevation view thereof;
 FIG. 5 is a right side elevation view thereof;
 FIG. 6 is a top plan view thereof; and,
 FIG. 7 is a bottom plan view thereof.

1 Claim, 6 Drawing Sheets





FIG. 1

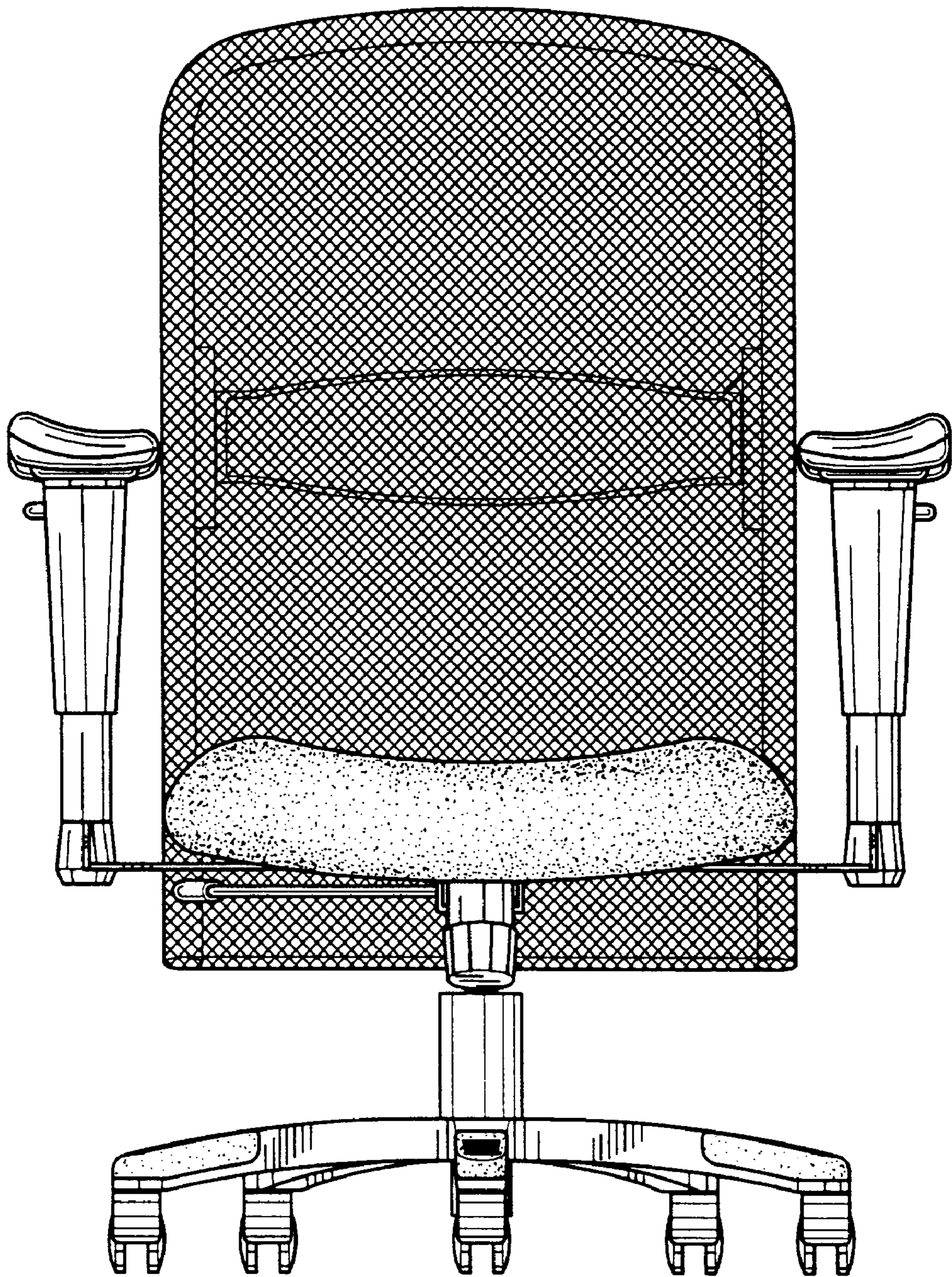


FIG. 2

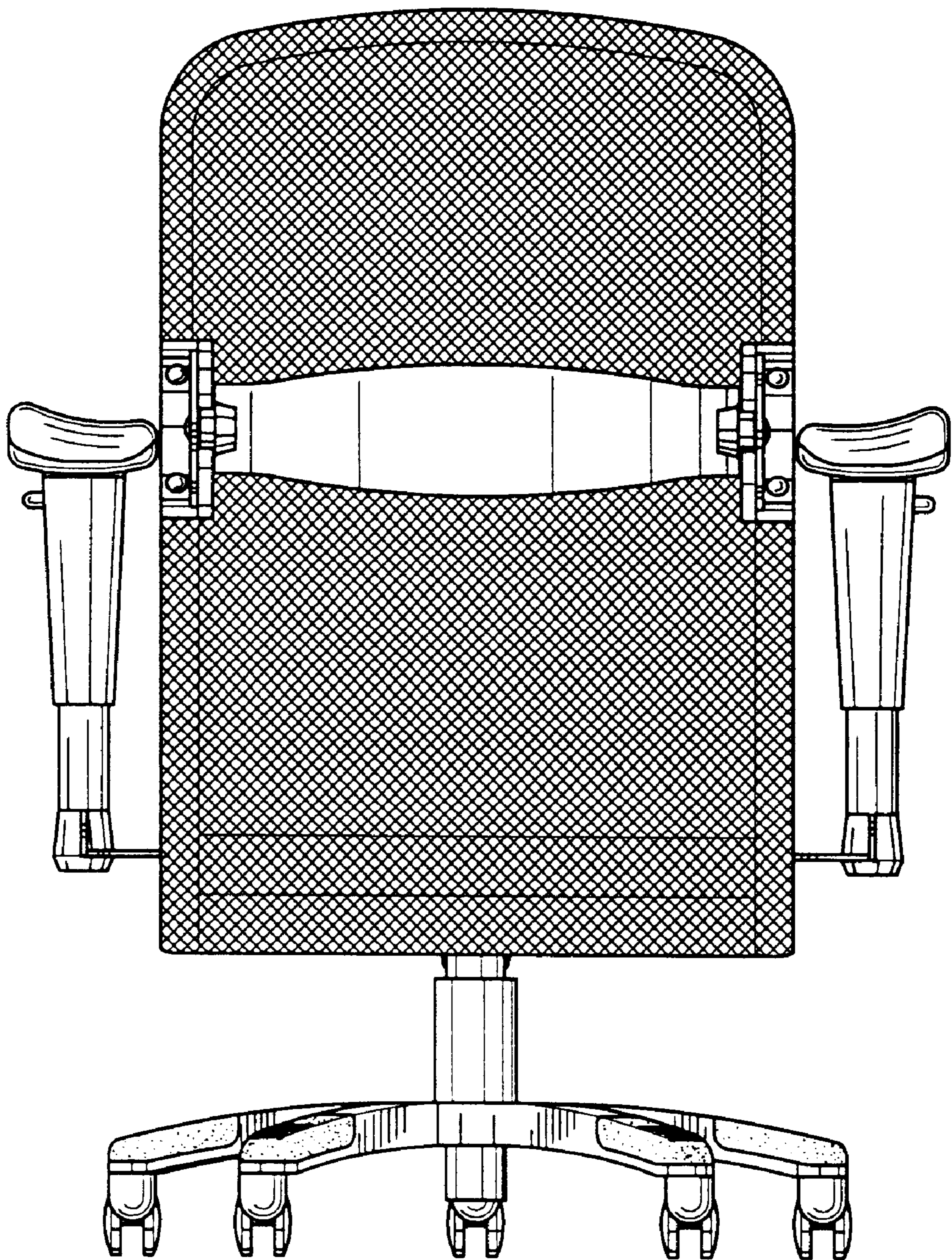


FIG. 3

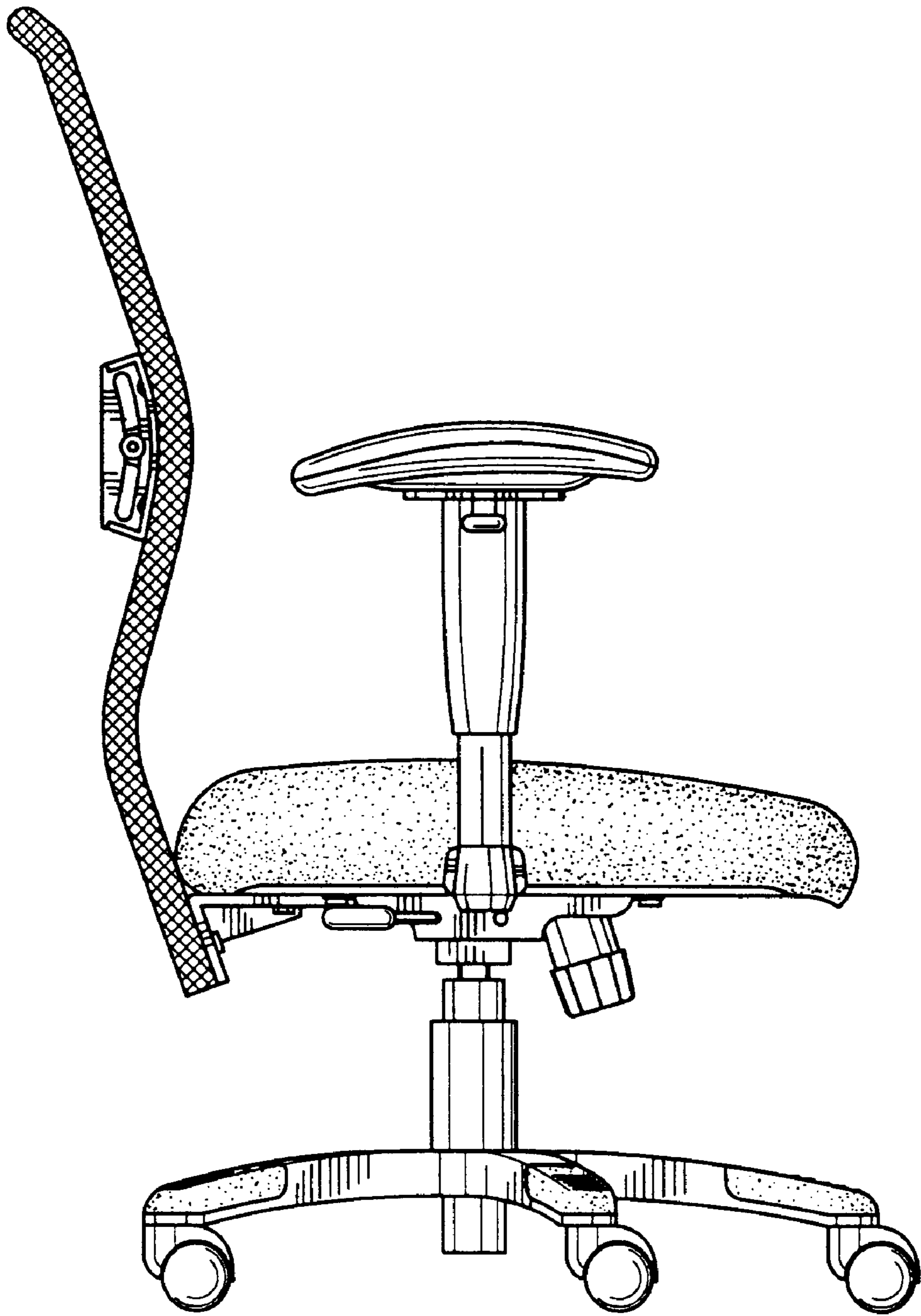


FIG. 4

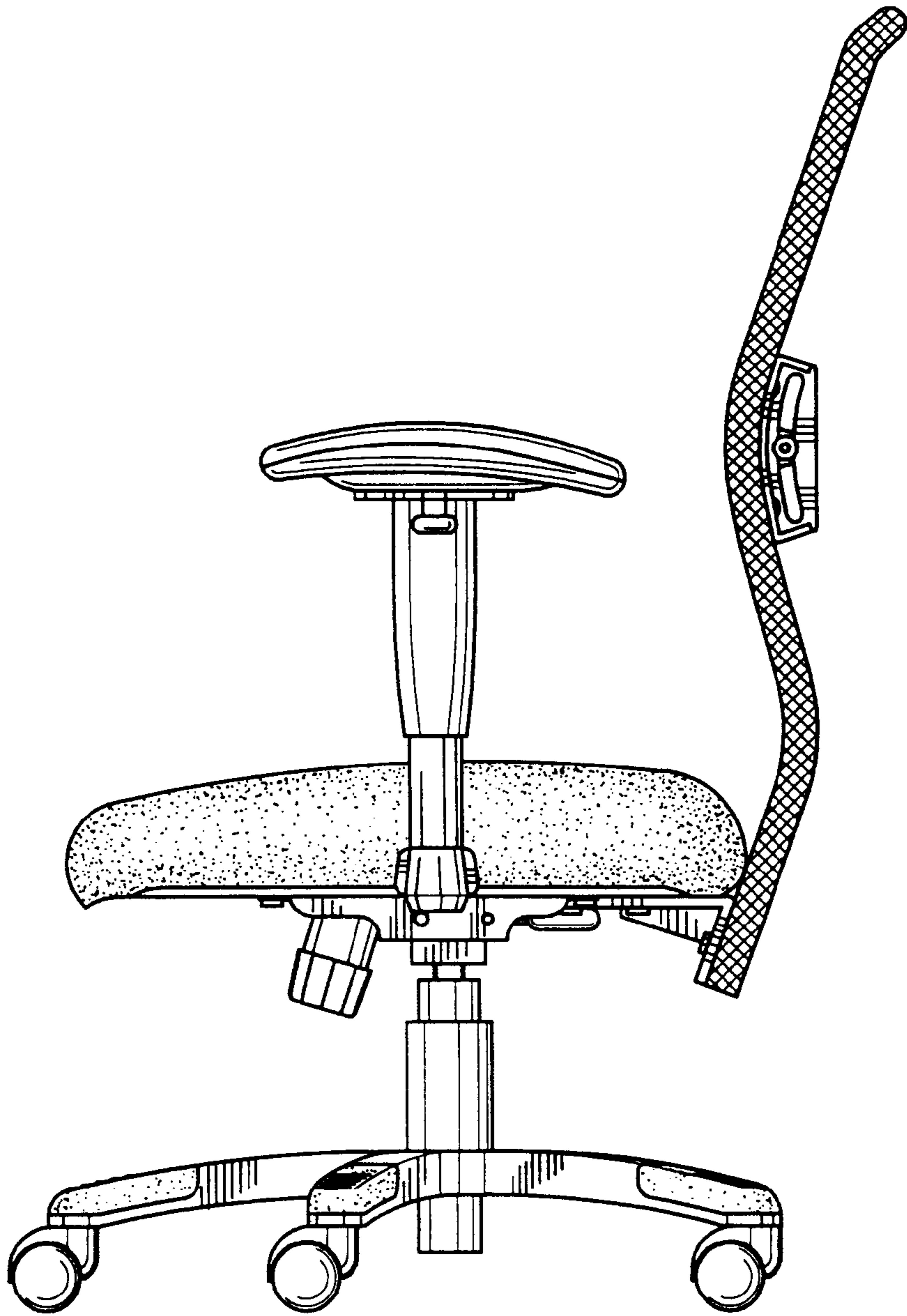


FIG. 5

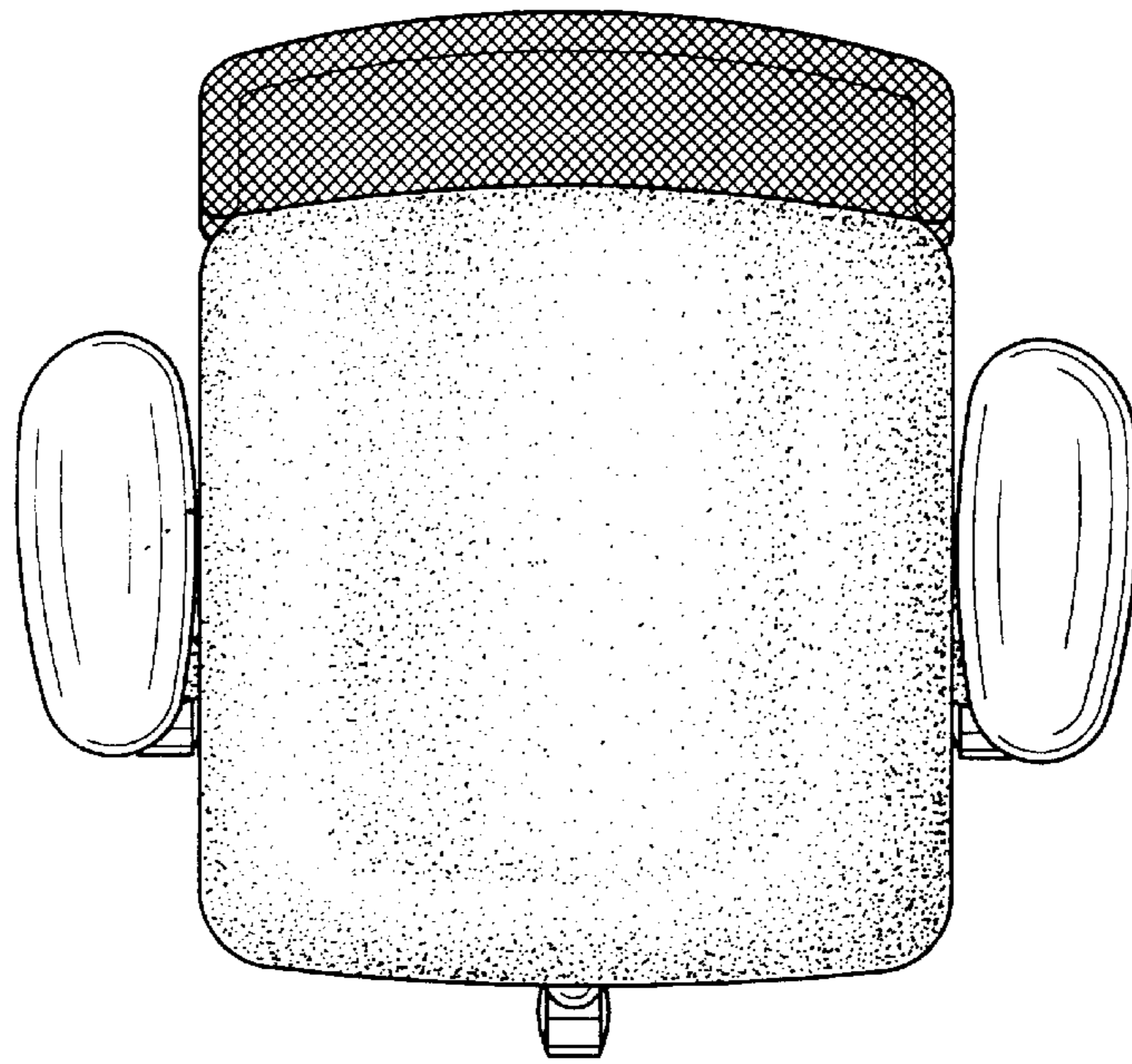


FIG. 6

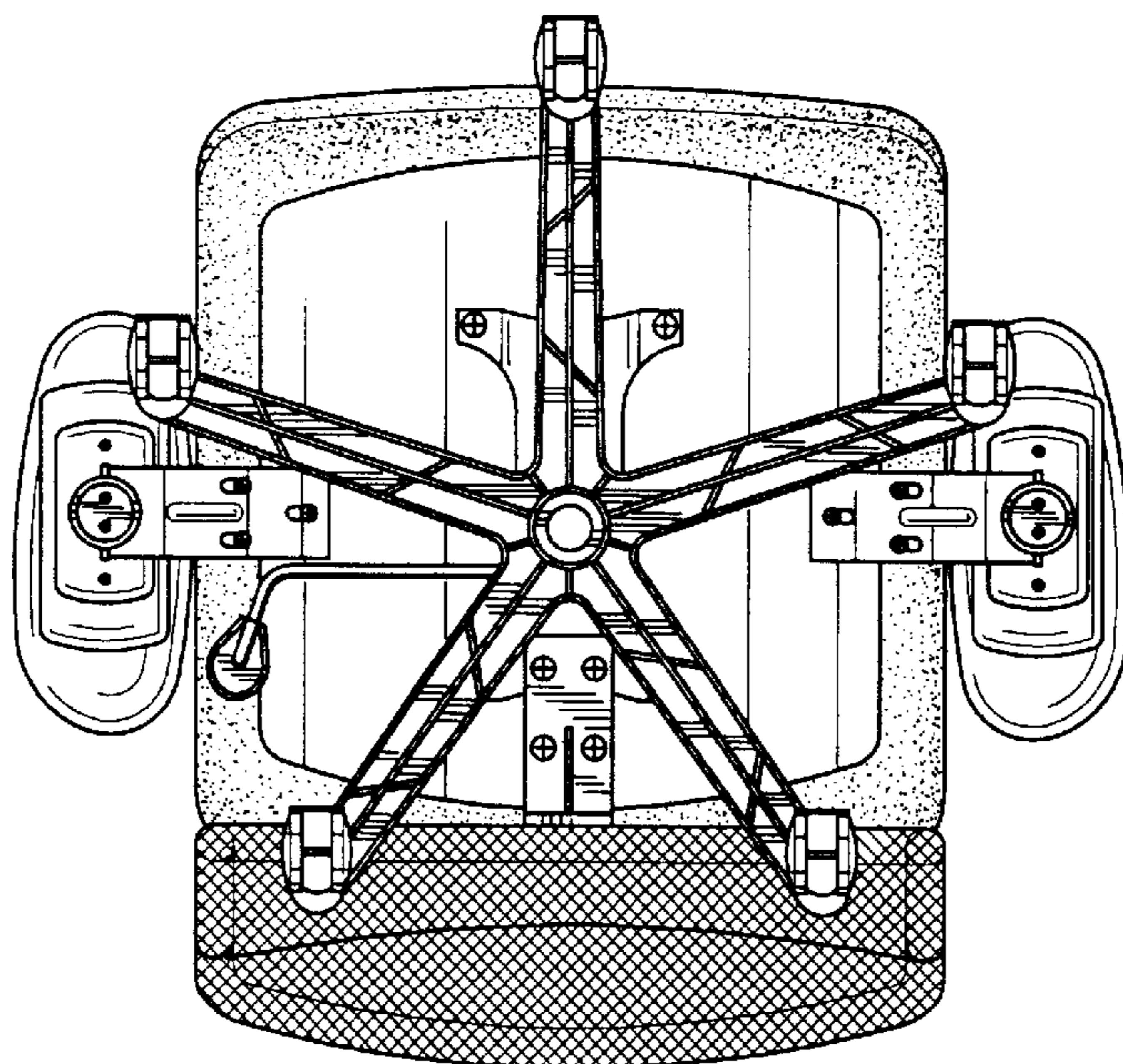


FIG. 7