



US00D451292B1

(12) **United States Design Patent**
Cheris et al.

(10) **Patent No.:** **US D451,292 S**

(45) **Date of Patent:** **** Dec. 4, 2001**

(54) **FOOT REST**

D. 435,360 * 12/2000 Gentile et al. D6/419

(75) Inventors: **Albert B. Cheris**, Deerfield; **Mark Dziersk**, Chicago, both of IL (US)

* cited by examiner

(73) Assignee: **Tenex Corporation**, Elk Grove Village, IL (US)

Primary Examiner—Janice E. Seeger

(74) *Attorney, Agent, or Firm*—Cook, Alex, McFarron, Manzo, Cummings & Mehler, Ltd.

(**) Term: **14 Years**

(57) **CLAIM**

(21) Appl. No.: **29/140,387**

The ornamental design for a foot rest, as shown and described.

(22) Filed: **Apr. 17, 2001**

DESCRIPTION

(51) **LOC (7) Cl.** **06-01**

(52) **U.S. Cl.** **D6/349**; D6/419

(58) **Field of Search** D6/349–353, 370, D6/355, 484, 419, 300; 297/461, 462, 195.11, 423.1, 423.11, 423.39, 423.41, 423.42, 423.43; 248/441.1, 456, 454, 463

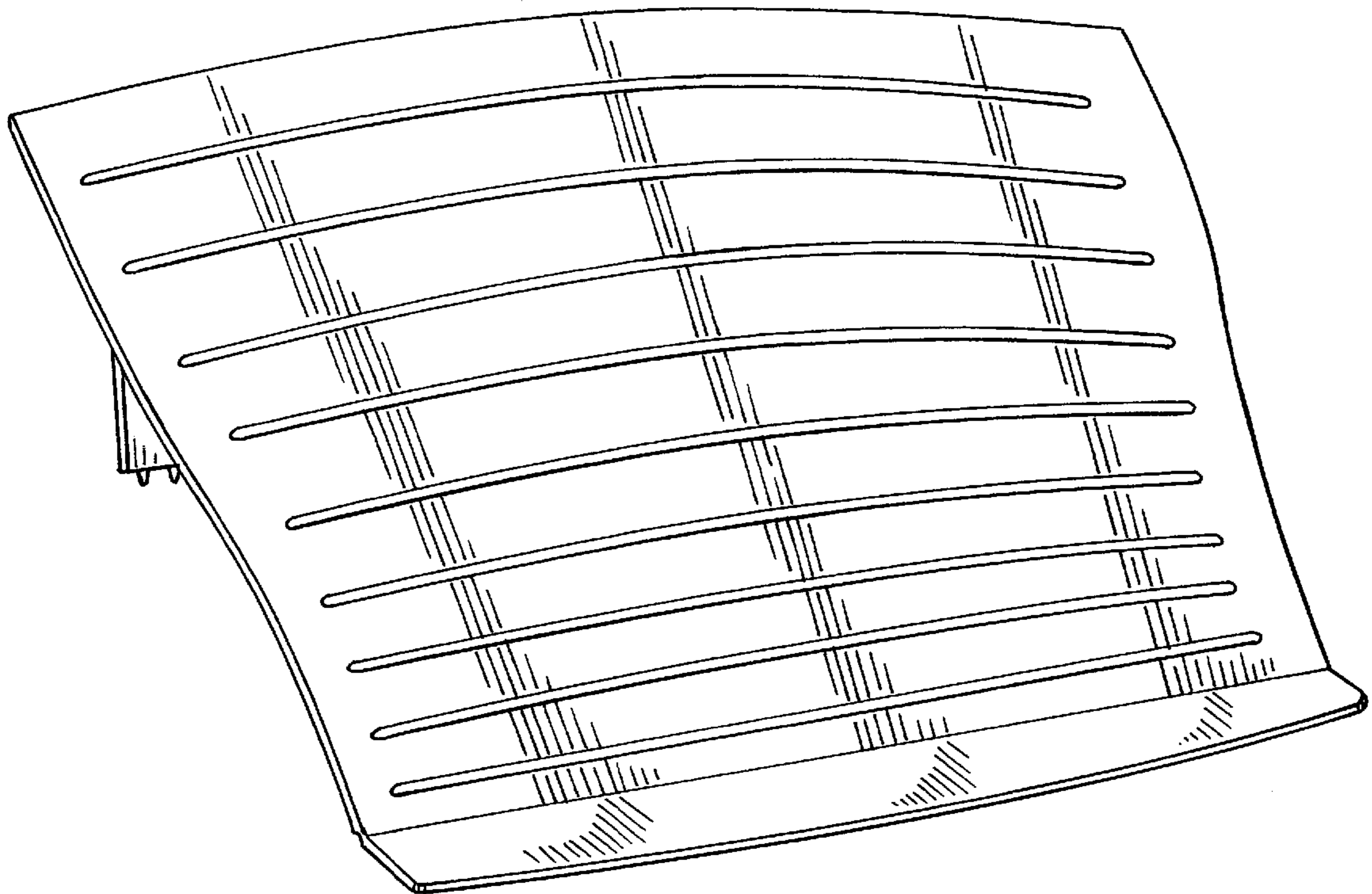
FIG. 1 is a perspective view of a foot rest of our design; FIG. 2 is an elevational view of one side thereof, the opposite side being substantially a mirror image thereof; FIG. 3 is a front elevational view thereof; FIG. 4 is a rear elevational view thereof; FIG. 5 is a top plan view thereof; and, FIG. 6 is a bottom plan view thereof.

(56) **References Cited**

U.S. PATENT DOCUMENTS

D. 280,052 * 8/1985 Hypponen D6/349

1 Claim, 3 Drawing Sheets



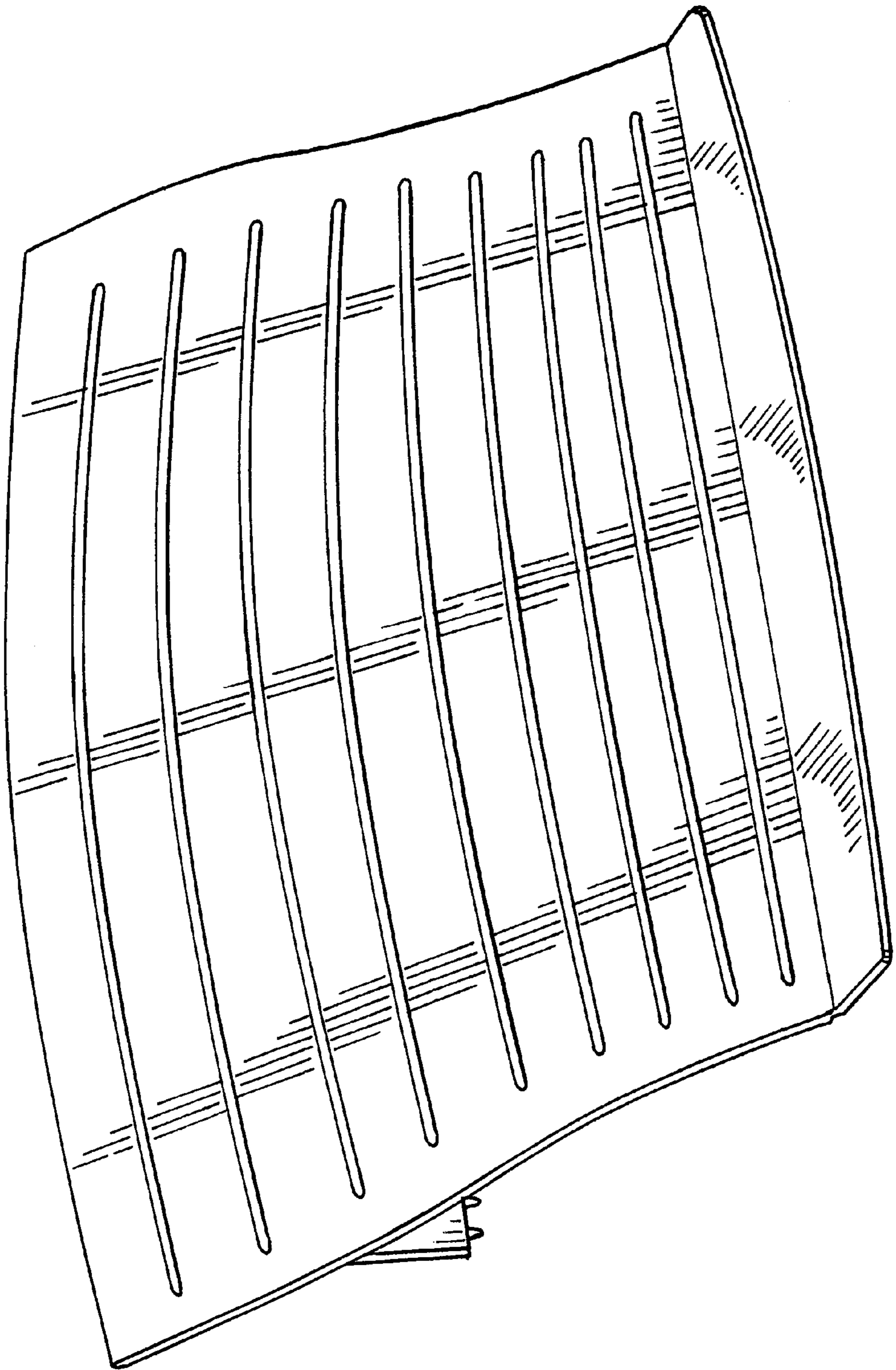


FIG. 1

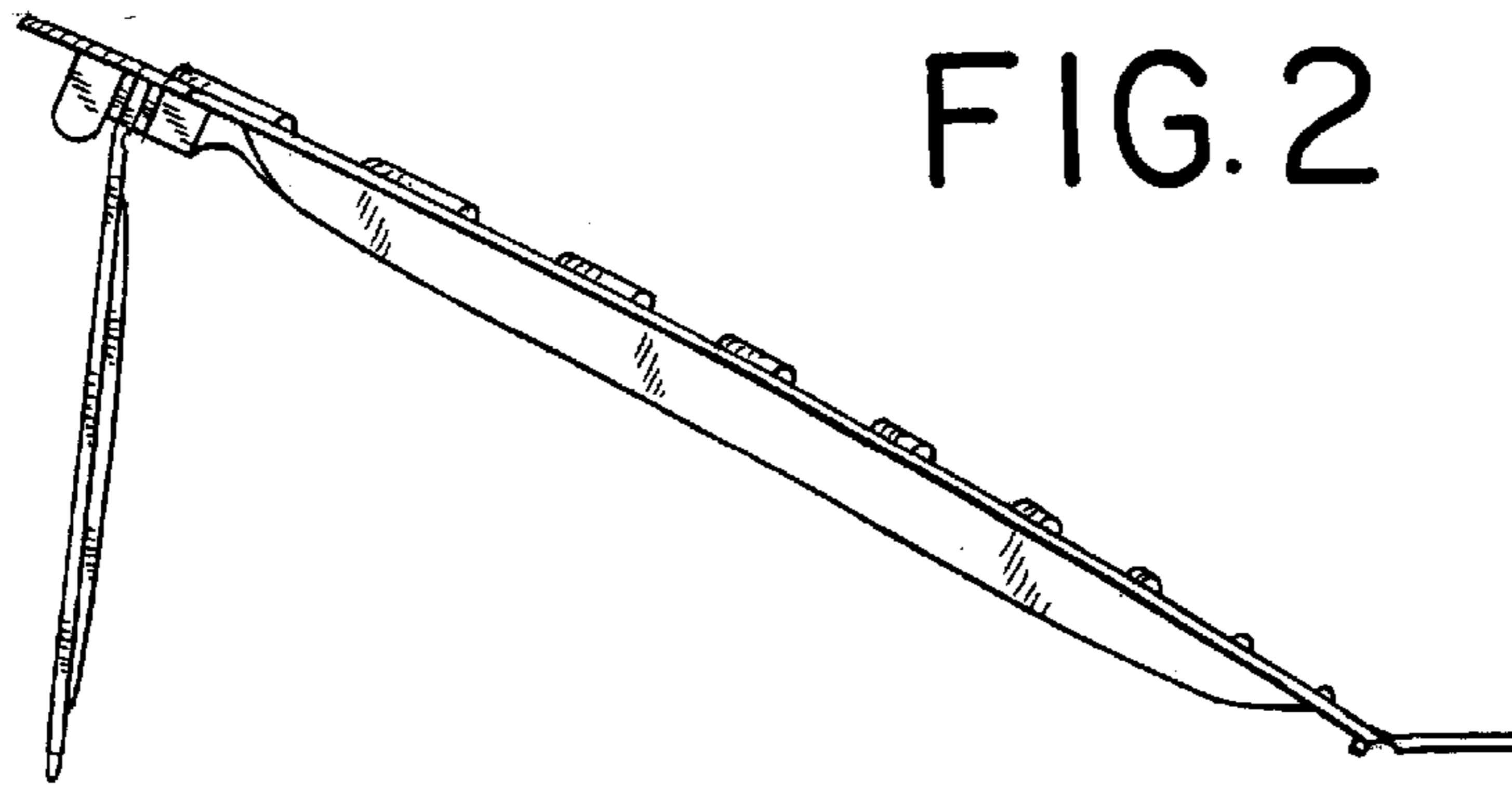


FIG. 3

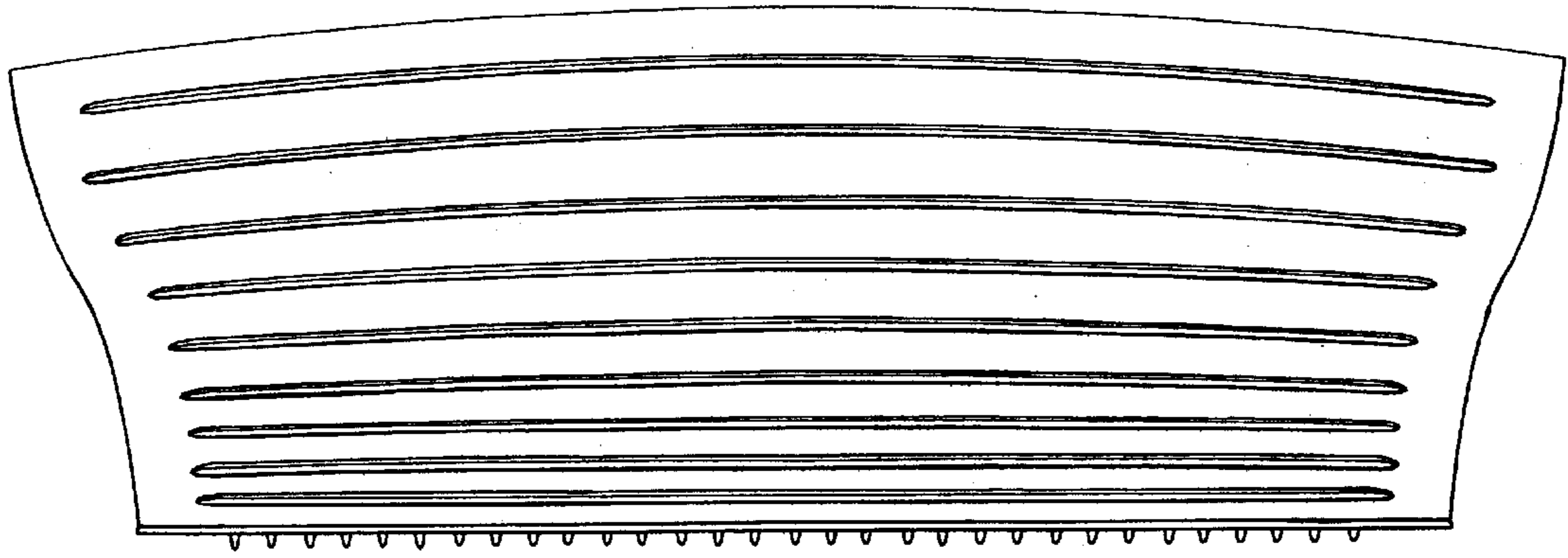


FIG. 4

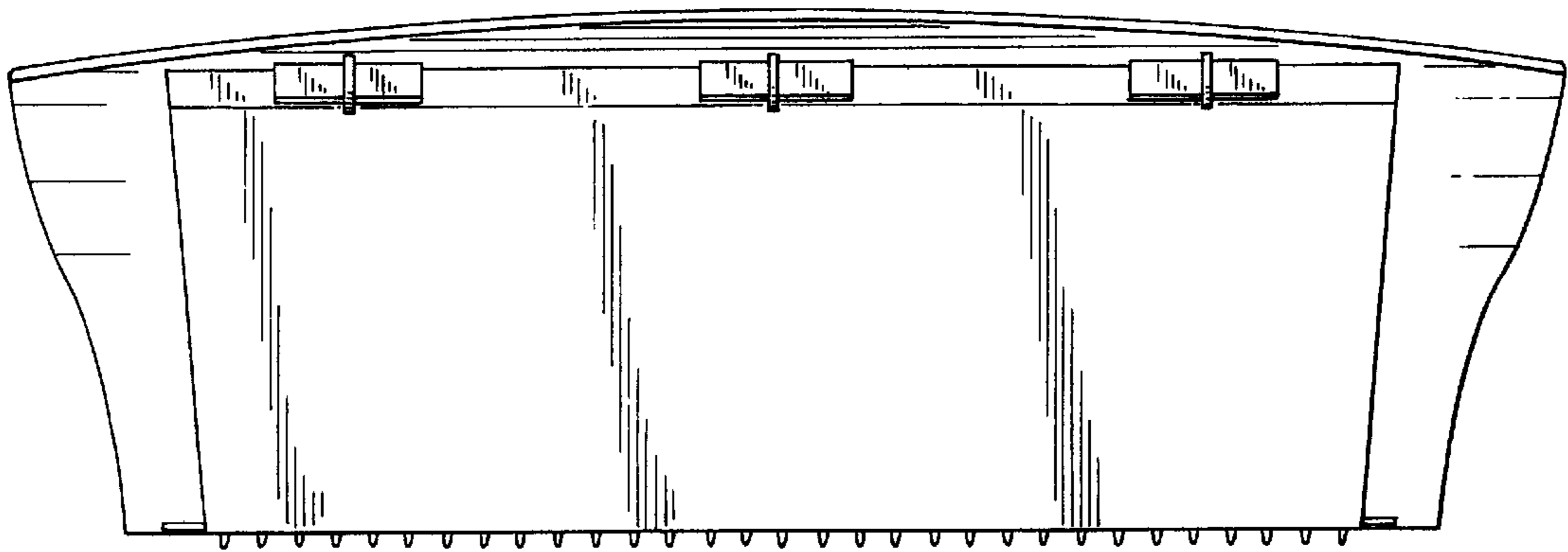


FIG. 5

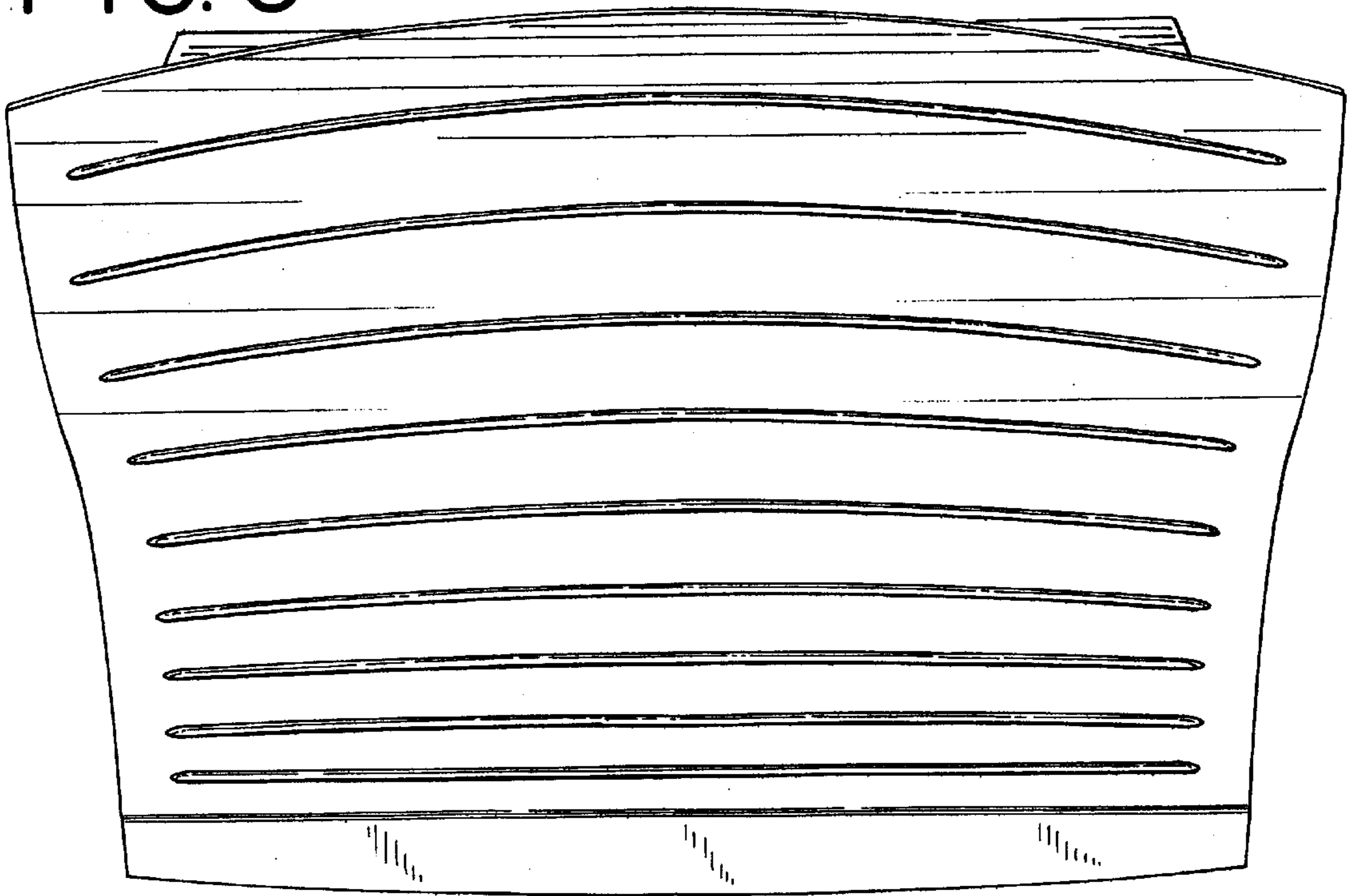


FIG. 6

