



US00D451281B1

(12) **United States Design Patent**  
**Wodkowski et al.**

(10) **Patent No.:** **US D451,281 S**

(45) **Date of Patent:** **\*\* Dec. 4, 2001**

(54) **CARRIER FOR CONTAINERS AND TOOLS**

(76) Inventors: **Donald J. Wodkowski**, 4540 Dagget Rd., Alpena, MI (US) 49707; **Dennis J. Wodkowski**, P.O. Box 872693, Wasilla, AK (US) 99687

(\*\*) Term: **14 Years**

(21) Appl. No.: **29/135,052**

(22) Filed: **Jan. 5, 2001**

(51) **LOC (7) Cl.** ..... **03-01**

(52) **U.S. Cl.** ..... **D3/315; D3/307**

(58) **Field of Search** ..... D3/201, 259, 304, D3/307, 313, 315, 316; 224/148.1, 148.4, 575, 191; 220/4.01, 4.12, 23.83, 23.86, 500, 523, 318, 694, 696, 737, 740, 752, 755; D9/414, 415

(56) **References Cited**

**U.S. PATENT DOCUMENTS**

- D. 304,644 \* 11/1989 Silcox ..... D9/415
- D. 346,682 \* 5/1994 Trovato ..... D3/308
- D. 378,950 \* 4/1997 McKee ..... D3/201

- D. 403,160 \* 12/1998 Hill ..... D3/315
- D. 406,946 \* 3/1999 Larson ..... D3/308
- D. 412,057 \* 7/1999 Brown ..... D3/201
- 5,301,829 \* 4/1994 Chrisco ..... 220/23.83
- 5,423,445 \* 6/1995 Montanari et al. .... 220/23.83
- 6,237,796 \* 5/2001 Murphy, Jr. .... 220/4.03

\* cited by examiner

*Primary Examiner*—Ian Simmons  
*Assistant Examiner*—Deanne Levy

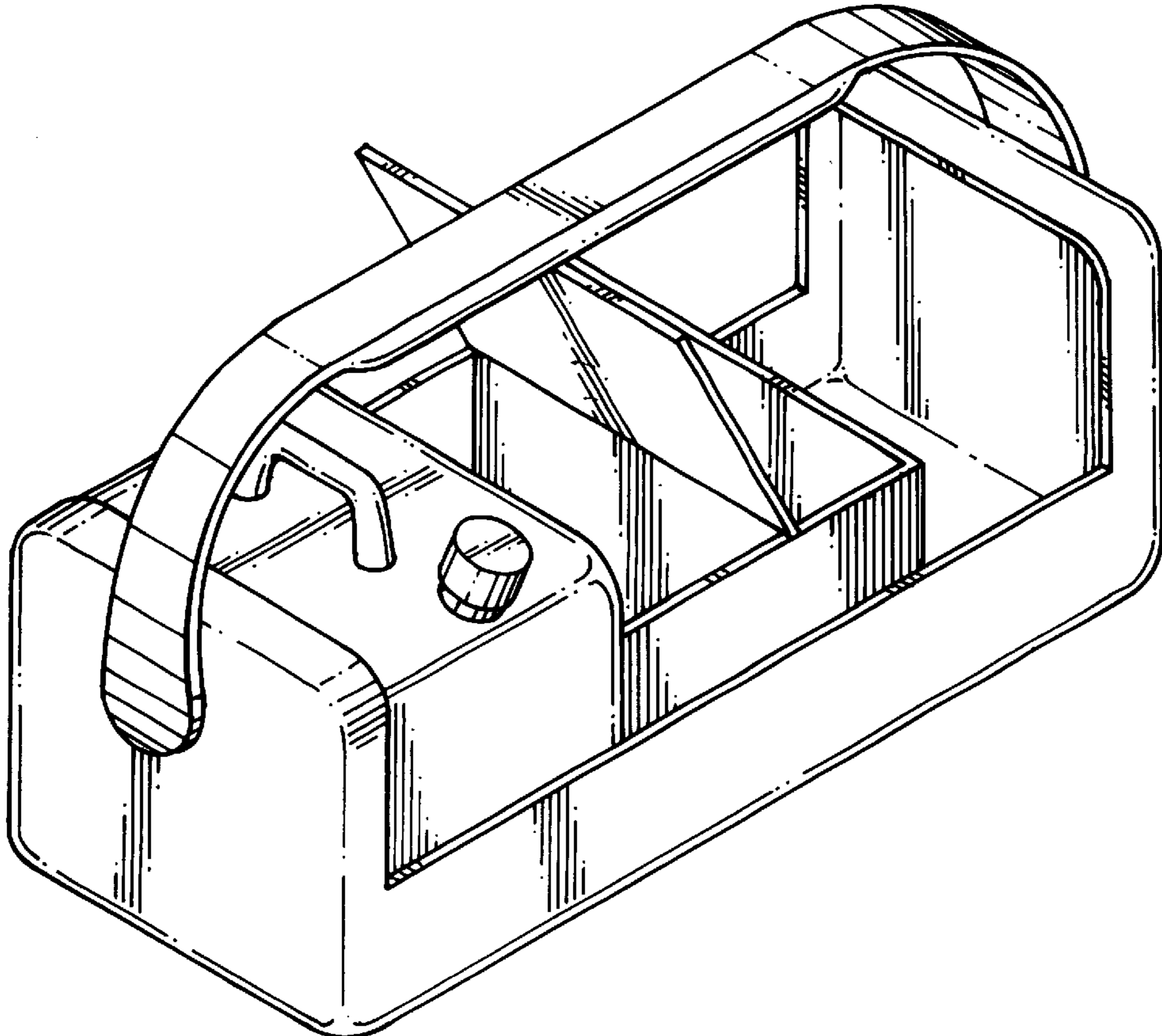
(57) **CLAIM**

We claim the ornamental design for a carrier for containers and tools, as shown and described.

**DESCRIPTION**

FIG. 1 is a perspective view of a carrier for containers and tools, showing our new design;  
FIG. 2 is a front elevational view thereof;  
FIG. 3 is a rear elevational view thereof;  
FIG. 4 is a right end elevational view thereof;  
FIG. 5 is a left end elevational view thereof;  
FIG. 6 is a top plan view thereof; and,  
FIG. 7 is a bottom plan view thereof.

**1 Claim, 4 Drawing Sheets**



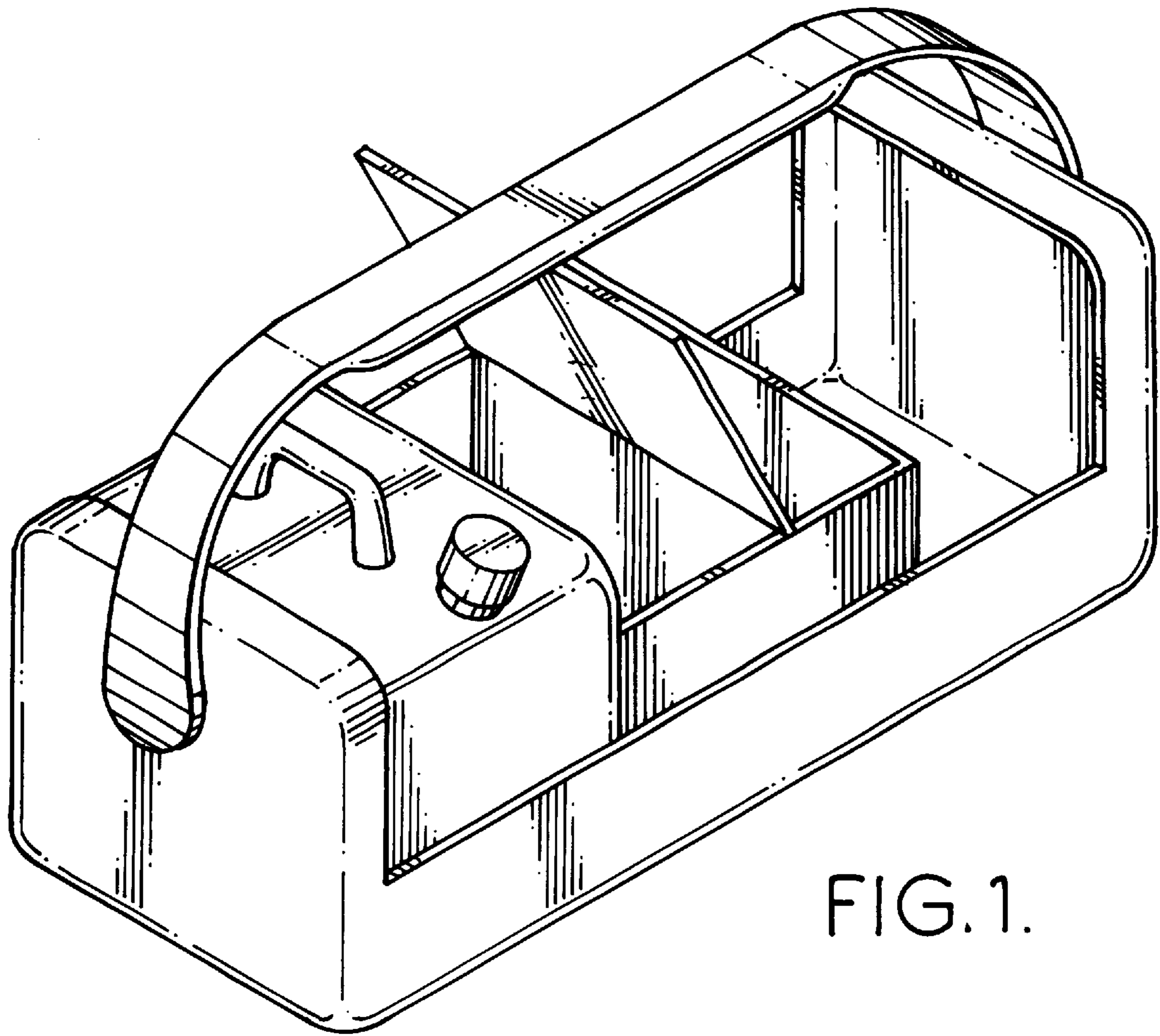


FIG. 1.

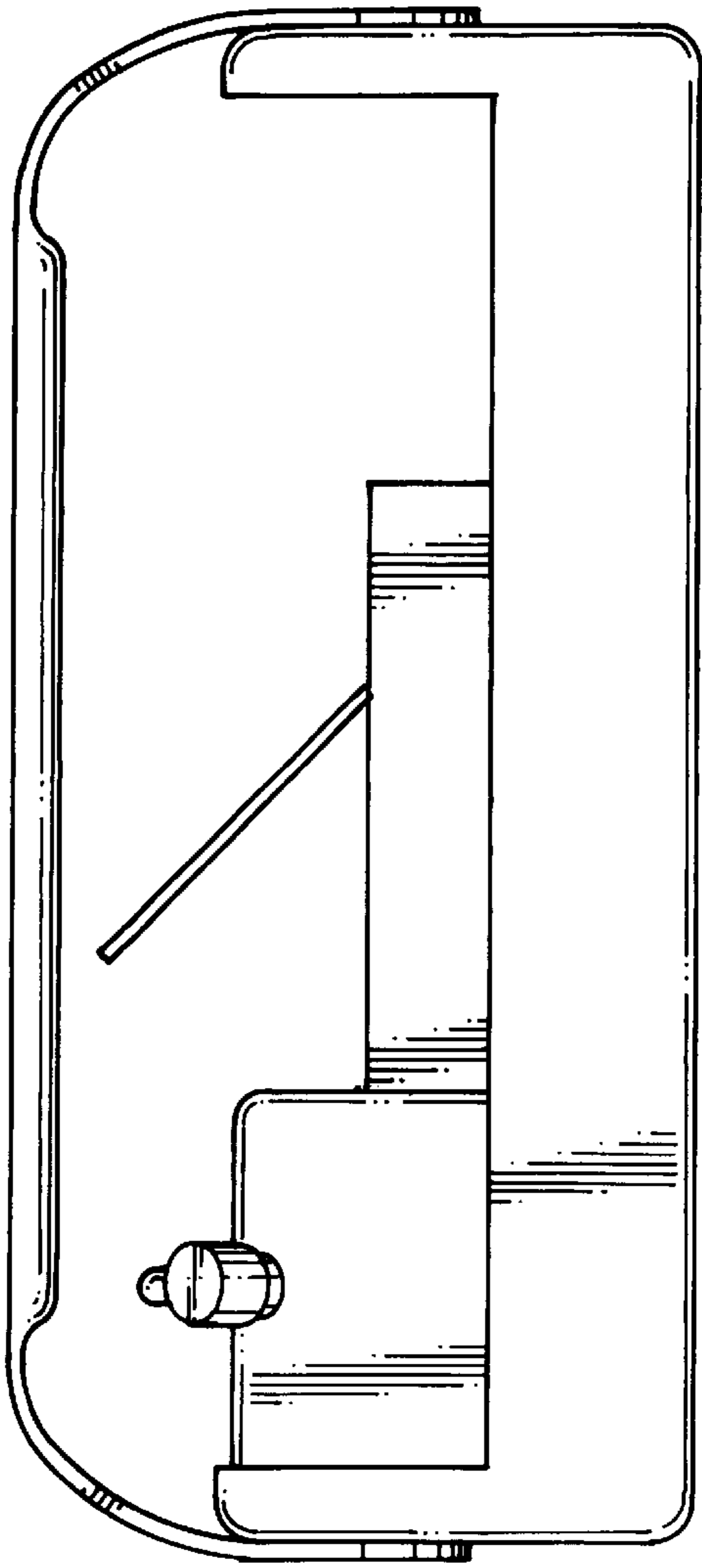


FIG. 2.

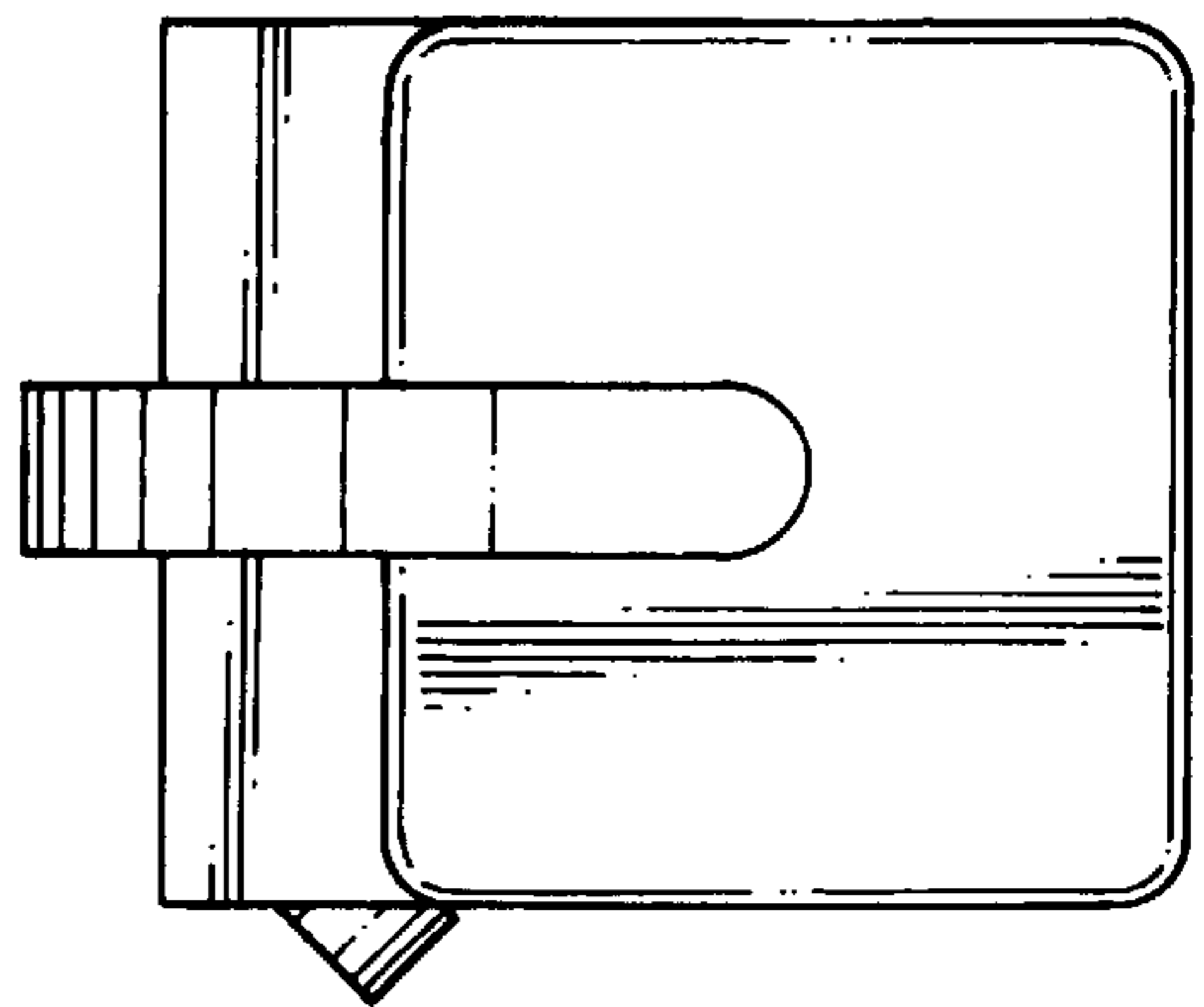


FIG. 4.

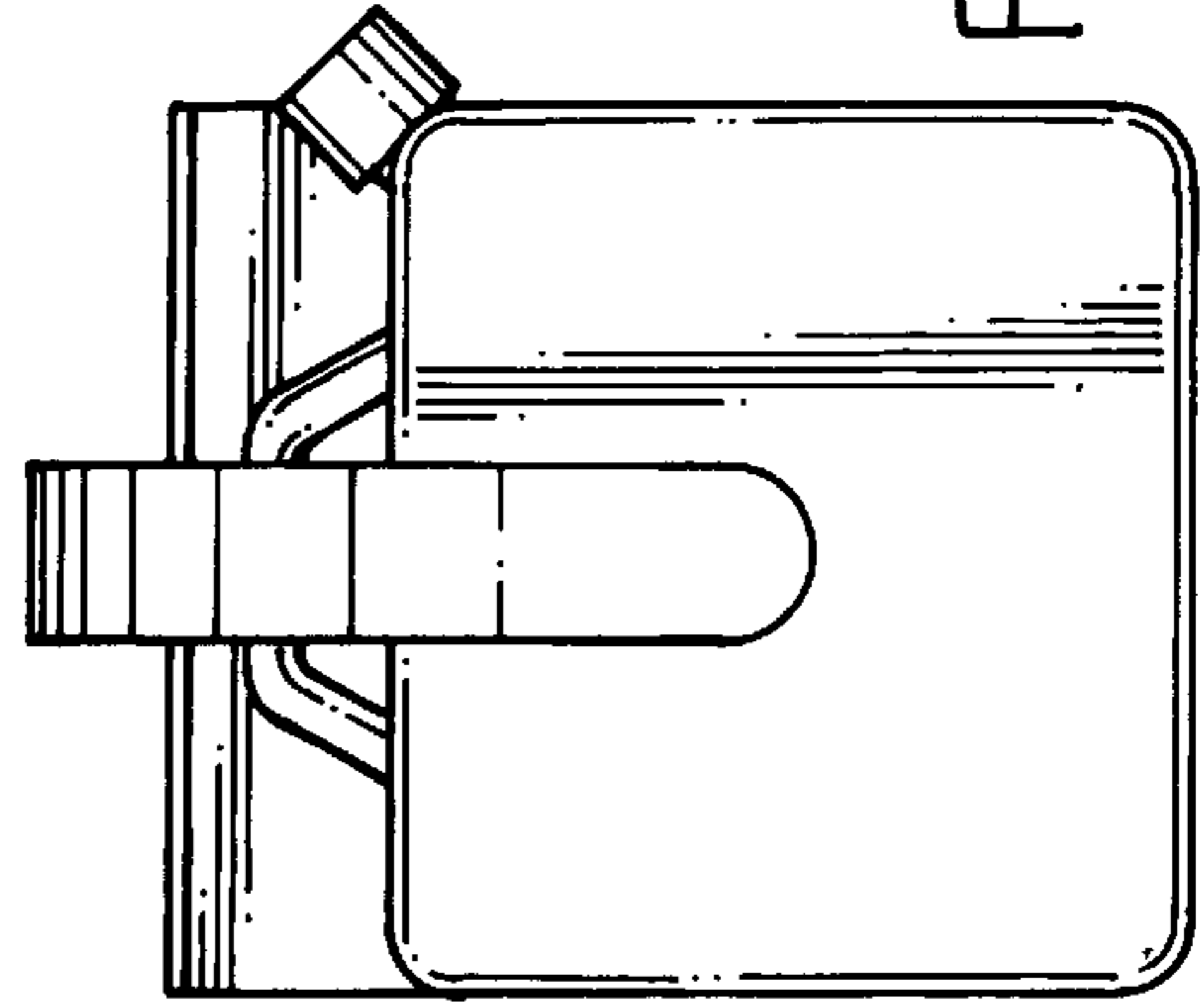


FIG. 5.

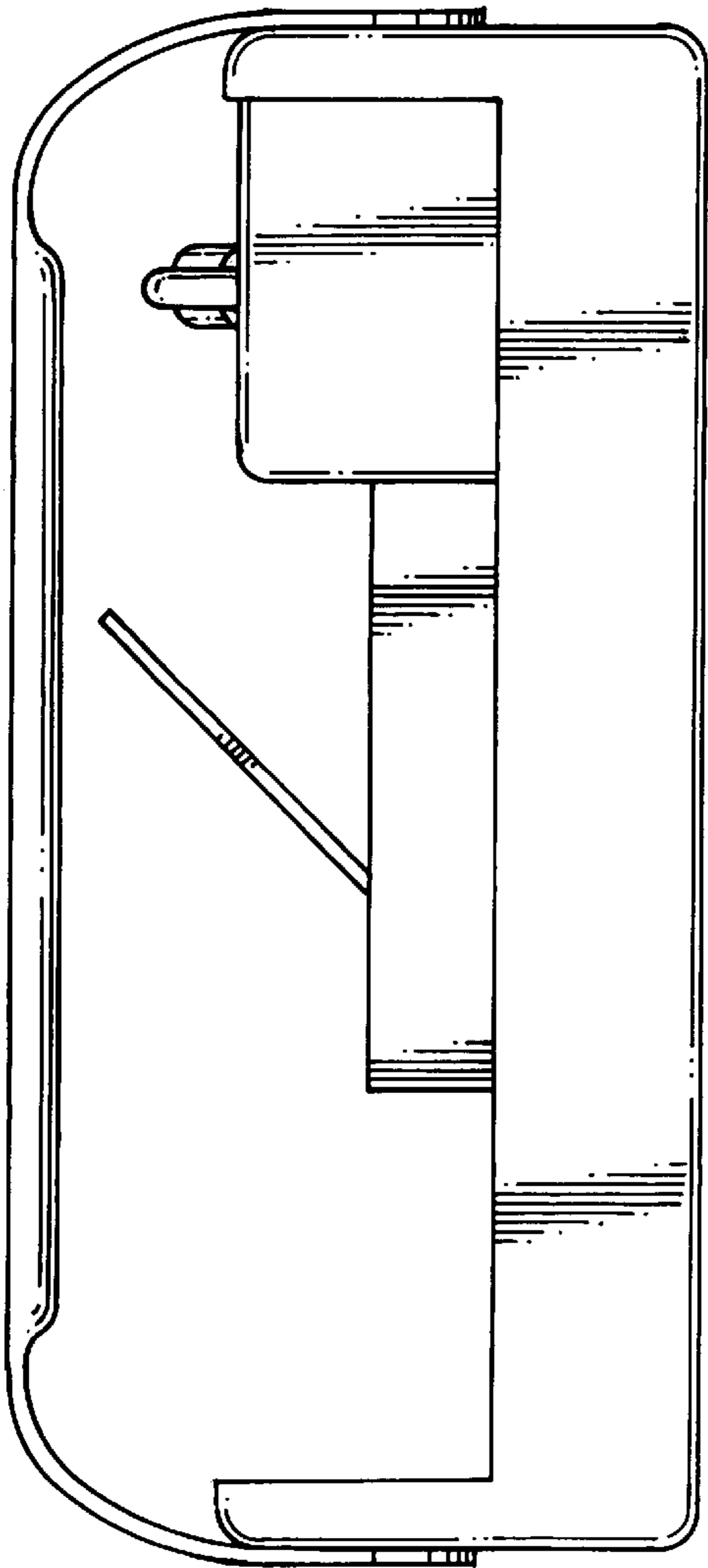


FIG. 3.

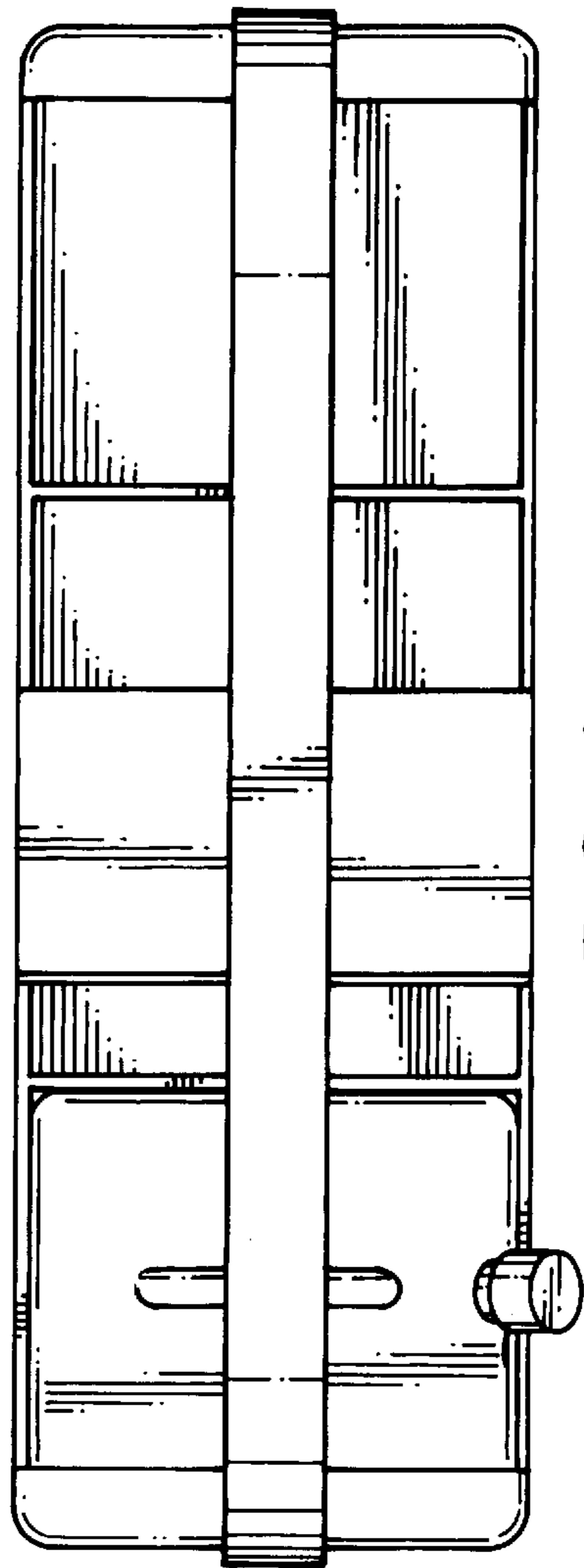


FIG. 6.

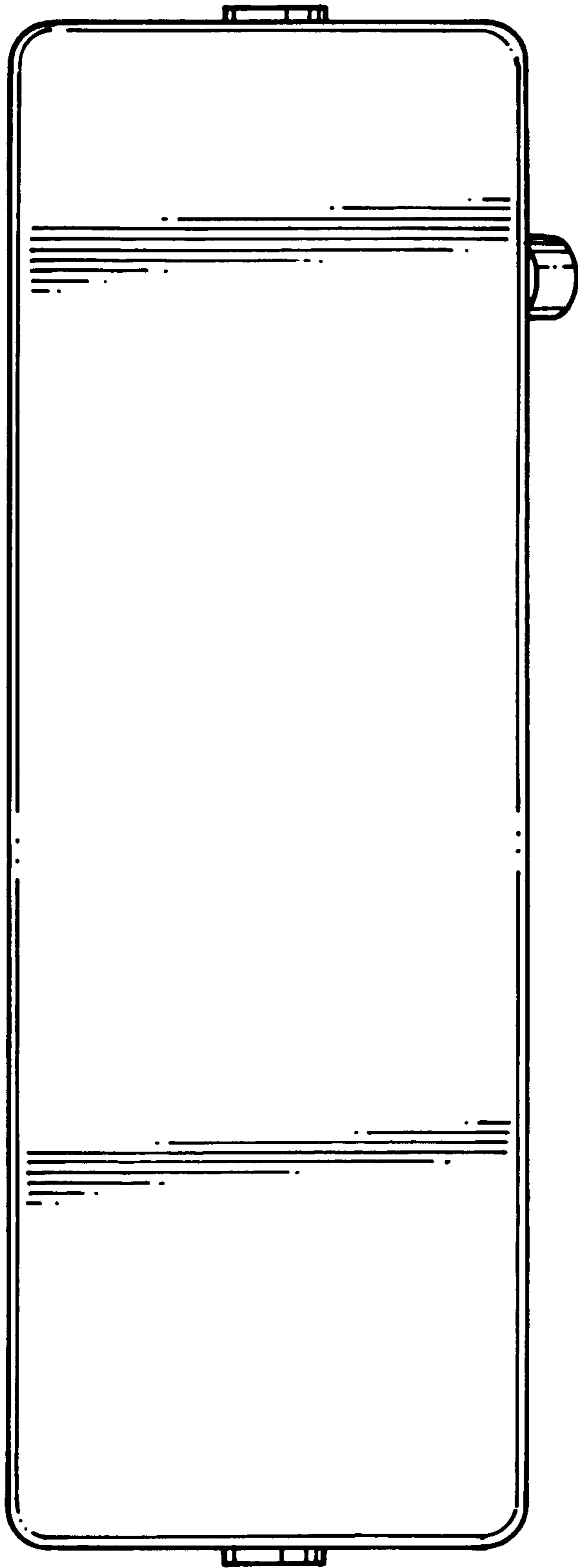


FIG. 7.