



US00D451279B1

(12) **United States Design Patent**
Chin

(10) **Patent No.:** **US D451,279 S**

(45) **Date of Patent:** **** Dec. 4, 2001**

(54) **PACKAGE**

(75) Inventor: **Henry Young Chin**, Portland, OR (US)

(73) Assignee: **The Procter & Gamble Company**,
Cincinnati, OH (US)

(**) Term: **14 Years**

(21) Appl. No.: **29/133,372**

(22) Filed: **Nov. 29, 2000**

(51) **LOC (7) Cl.** **03-01**

(52) **U.S. Cl.** **D3/301**

(58) **Field of Search** D9/305, 416, 419;
D3/201, 216, 217, 243, 244, 289, 301,
292; 206/816, 581; 220/260, 269, 270;
224/657, 658, 659

(56) **References Cited**

U.S. PATENT DOCUMENTS

D. 101,439	*	10/1936	Doppelt	D3/301
D. 106,132	*	9/1937	Dopplet	D3/301
D. 115,805	*	7/1939	Wright	D3/301
D. 151,950	*	12/1948	Anderson	D3/301
D. 301,802	*	6/1989	Young	D3/301
5,579,916	*	12/1996	Manko	206/581
5,660,312	*	8/1997	Suzuki	224/627
6,193,118	*	2/2001	Kearl	224/627
6,213,304	*	4/2001	Juliussen	206/581

* cited by examiner

Primary Examiner—Prabhakar Deshmukh

(74) *Attorney, Agent, or Firm*—Eileen L. Hughett; Kirsten K. Stone; David M. Weirich

(57) **CLAIM**

The ornamental design for the package, as shown and described.

DESCRIPTION

FIG. 1 is a front perspective view of a package embodying our new design;

FIG. 2 is a right side elevational view thereof;

FIG. 3 is a left side elevational view thereof;

FIG. 4 is a top plan view of thereof;

FIG. 5 is a front elevational view thereof;

FIG. 6 is a bottom plan view thereof;

FIG. 7 is a perspective view of the embodiment of FIG. 1 in the open position;

FIG. 8 is a right side elevational view thereof;

FIG. 9 is a left side elevational view thereof;

FIG. 10 is a top plan view thereof;

FIG. 11 is a front elevational view thereof; and,

FIG. 12 is a bottom plan view thereof.

The broken lines showing of sheet-like articles in FIGS. 7–11 are for illustrative purpose only and forms no part of the claimed design.

1 Claim, 4 Drawing Sheets

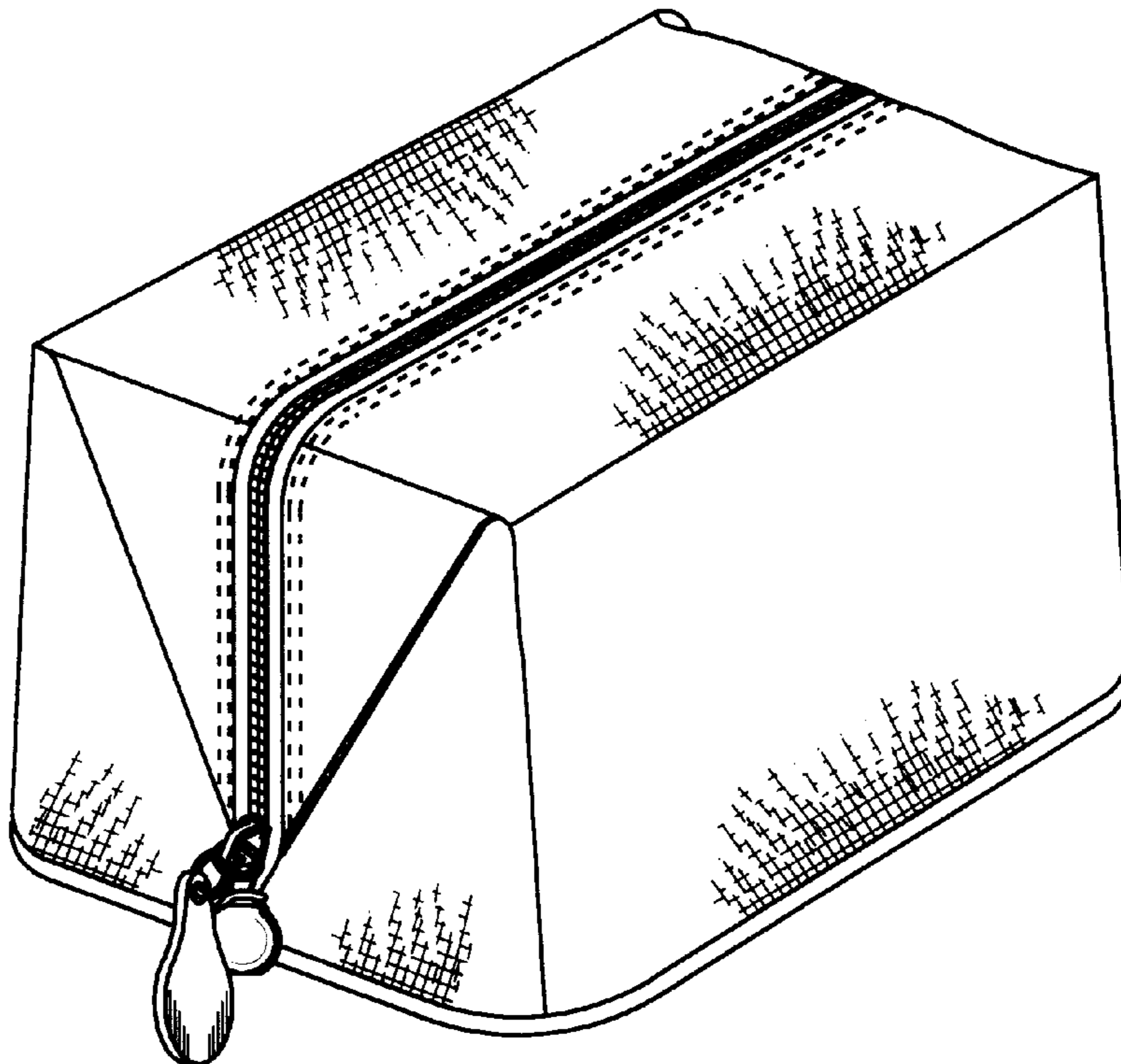


Fig. 1

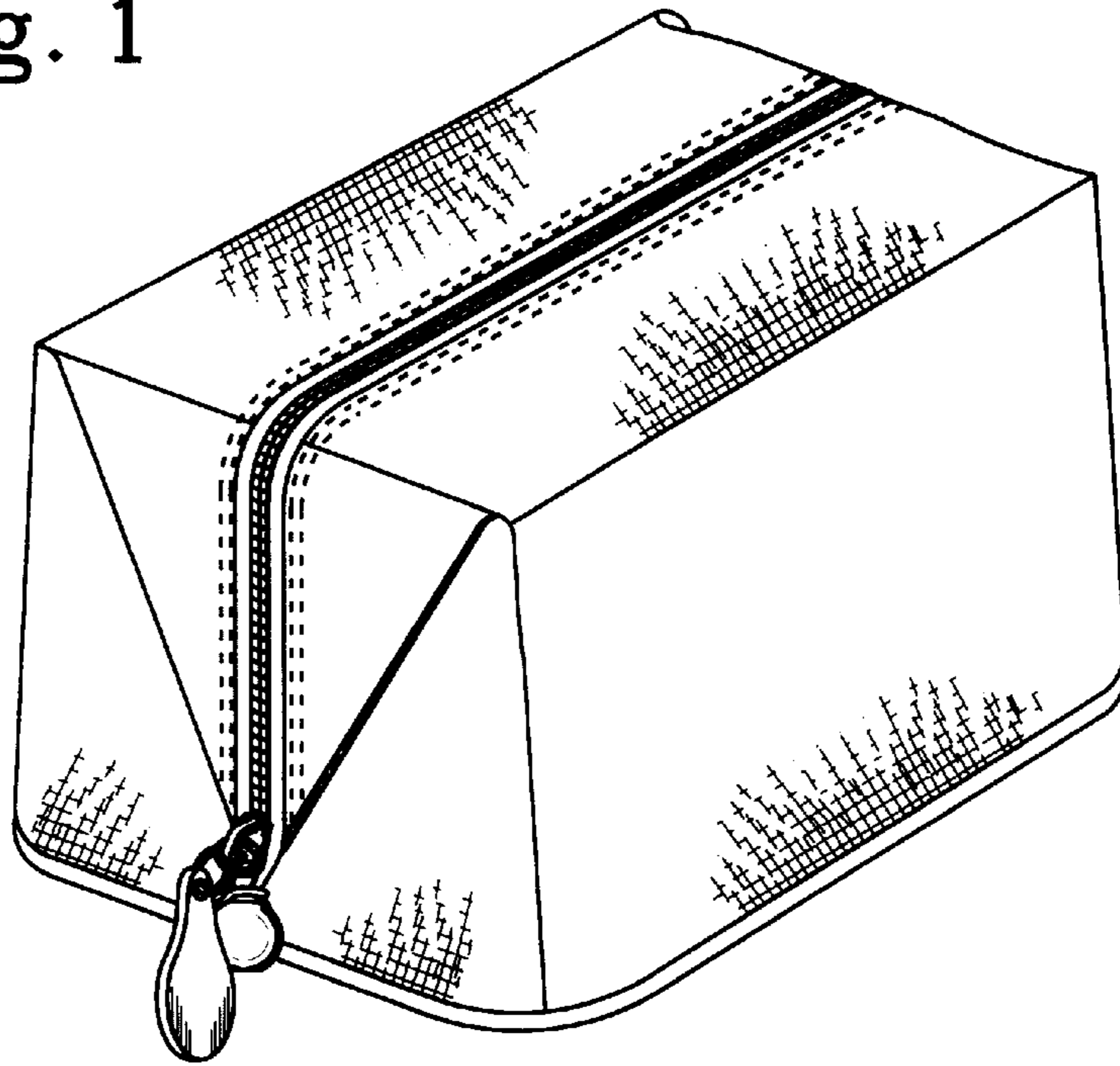


Fig. 2

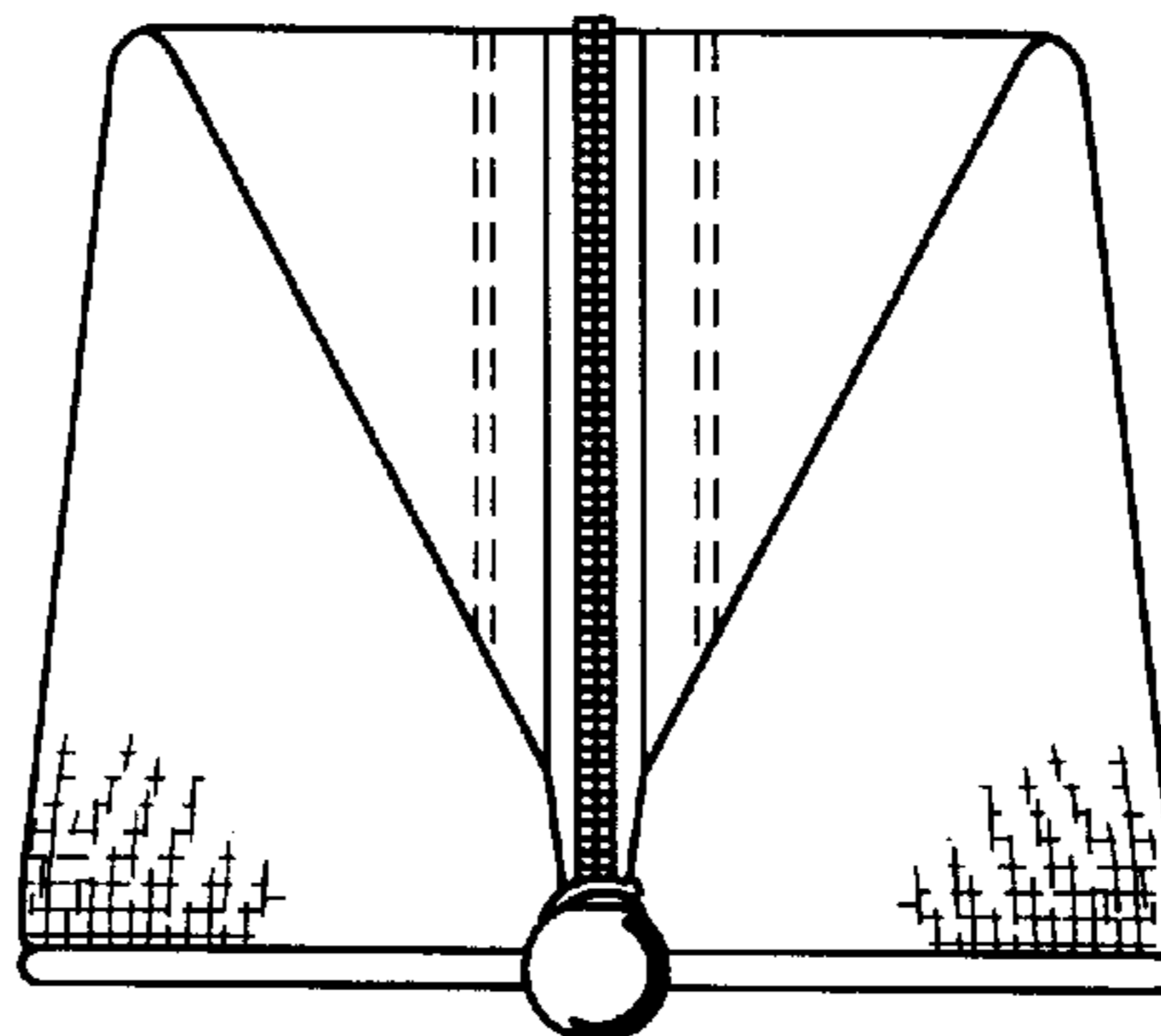


Fig. 3

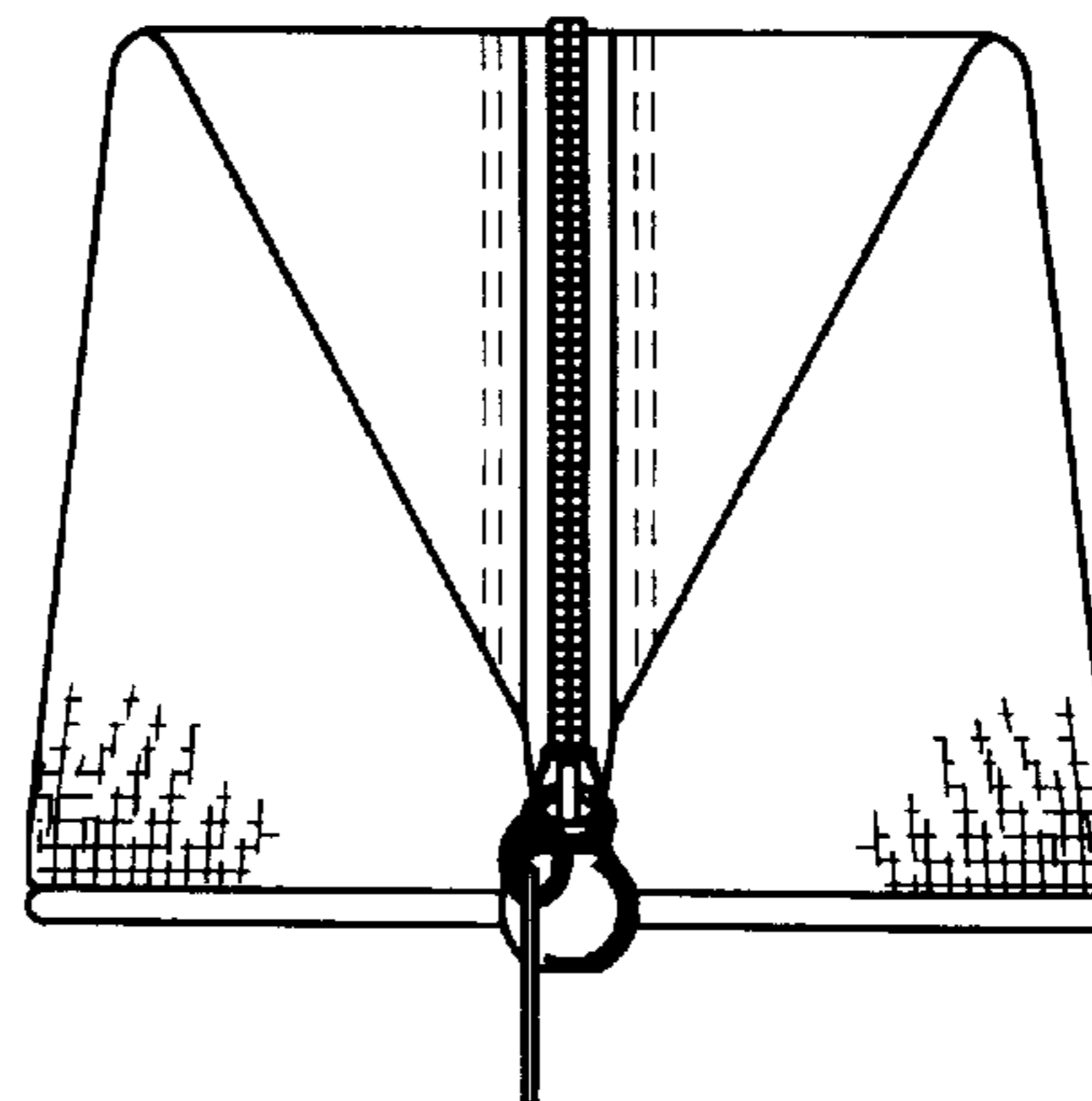


Fig. 4

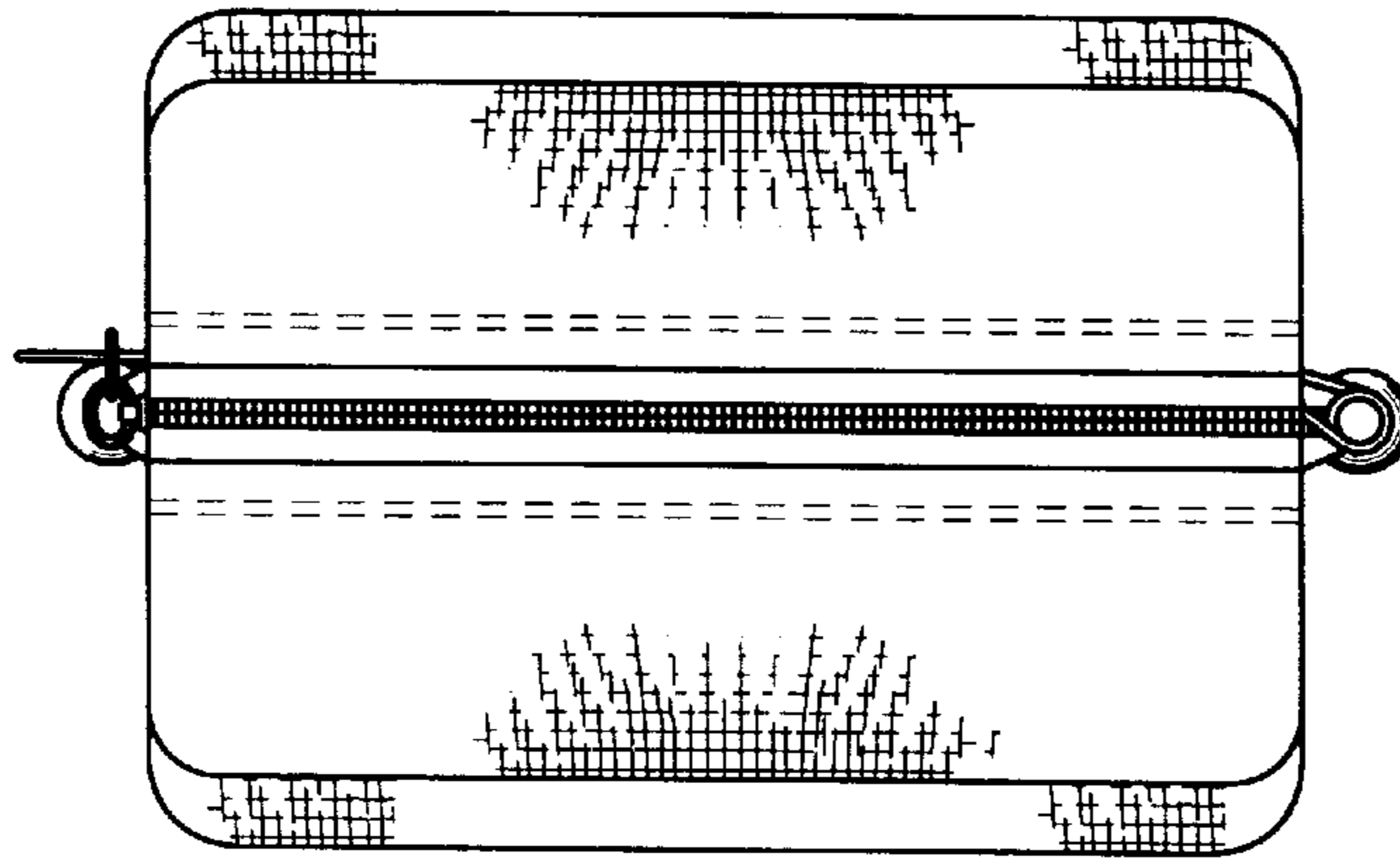


Fig. 5

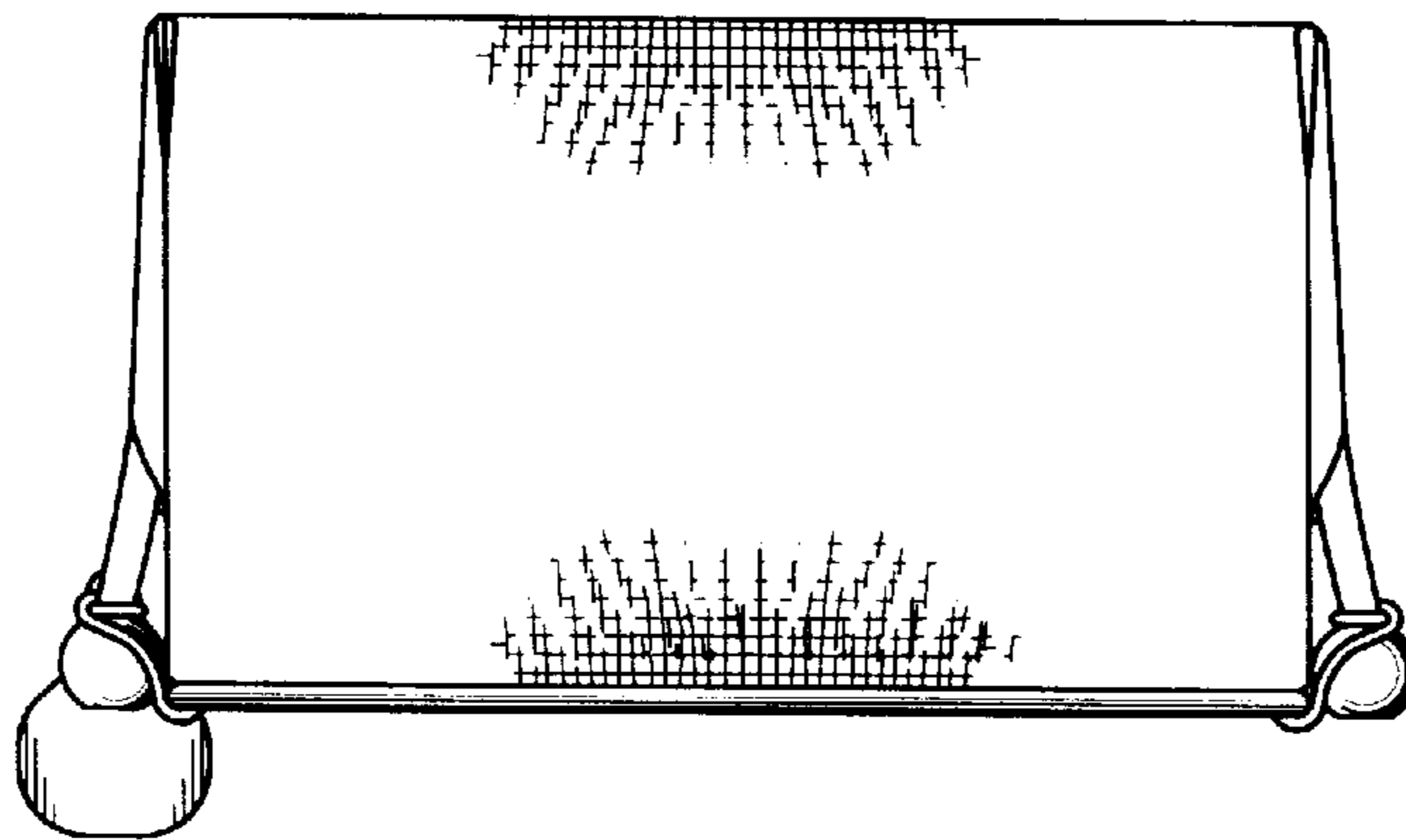


Fig. 6

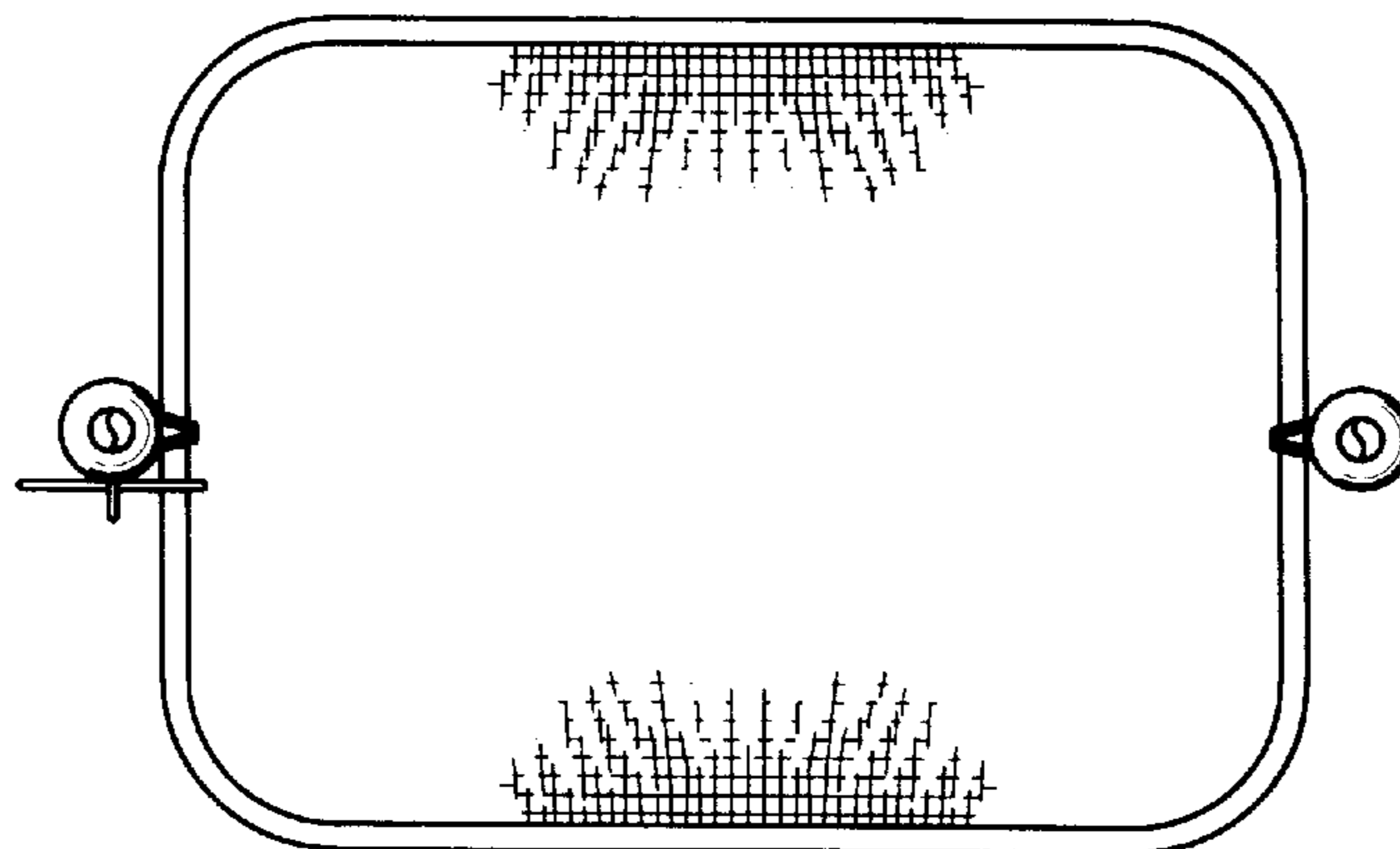


Fig. 7

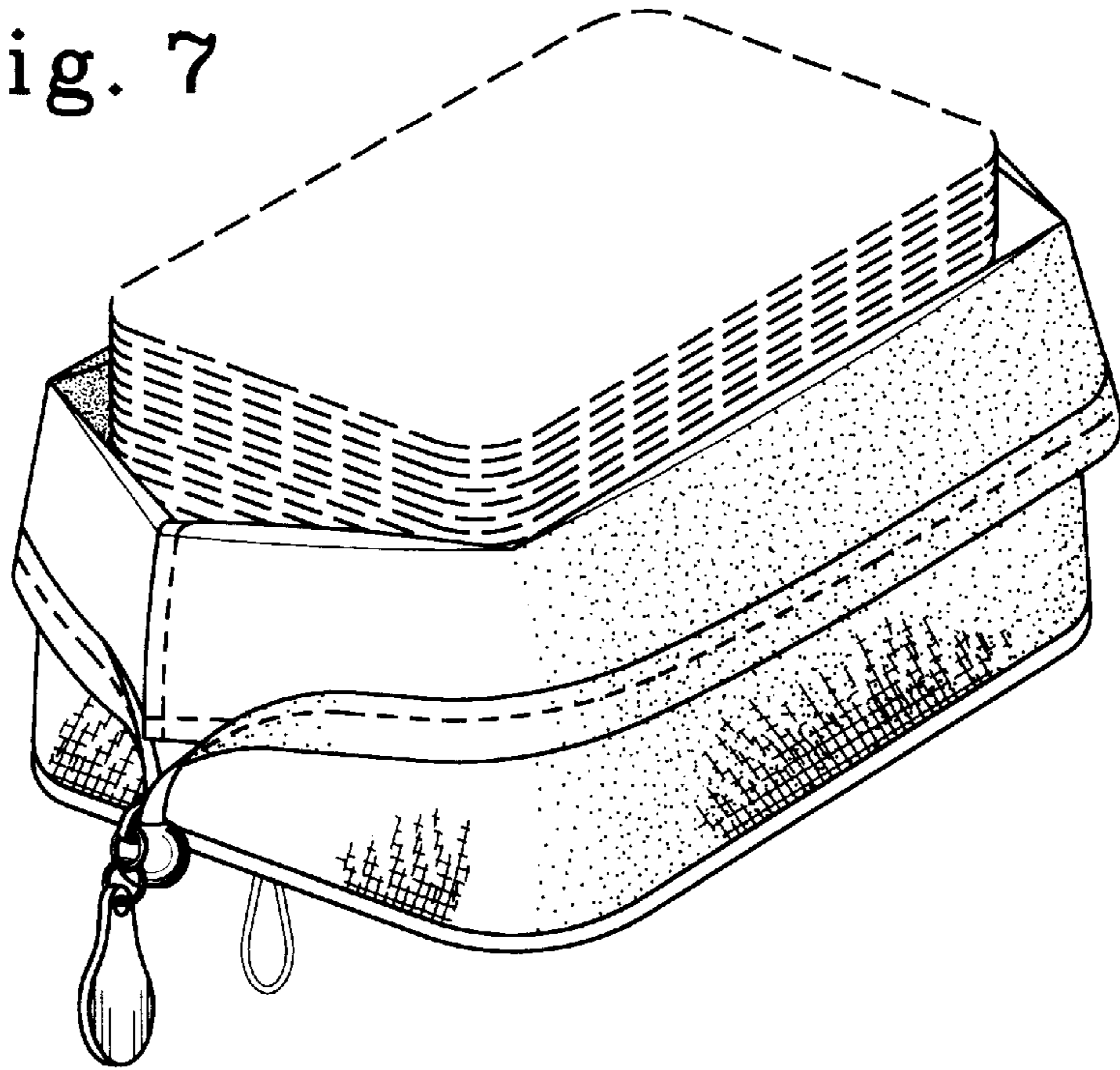


Fig. 8

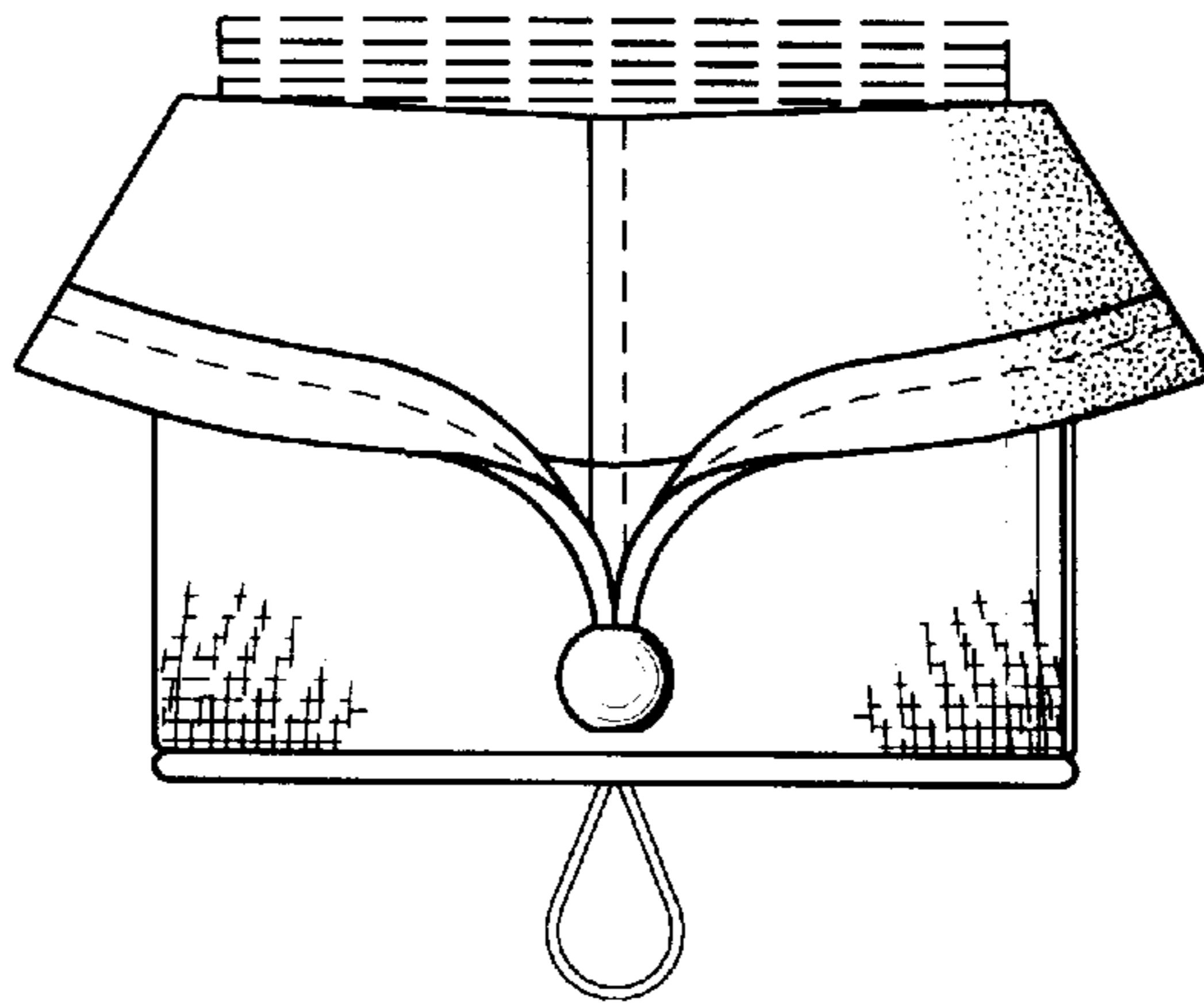


Fig. 9

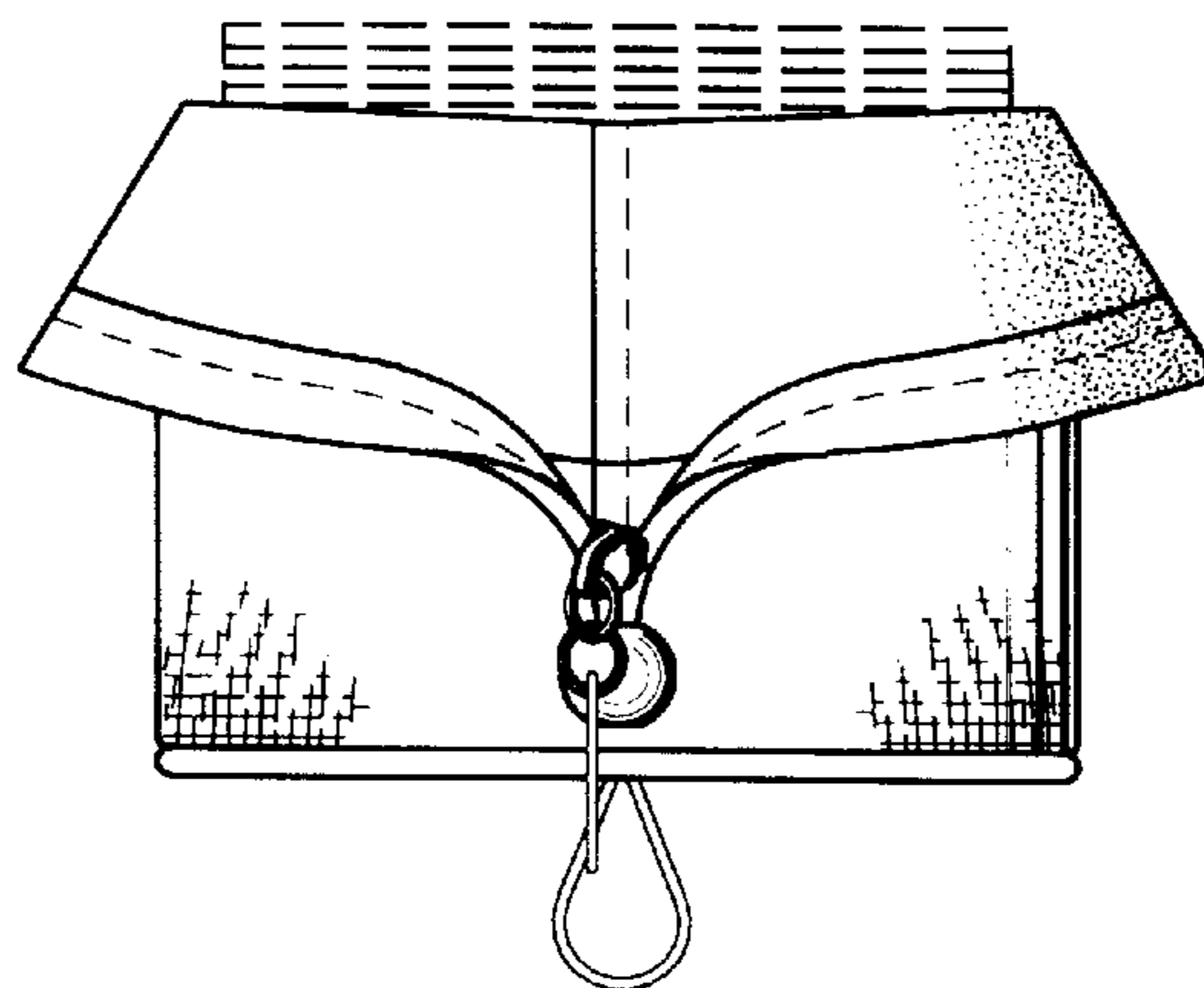


Fig. 10

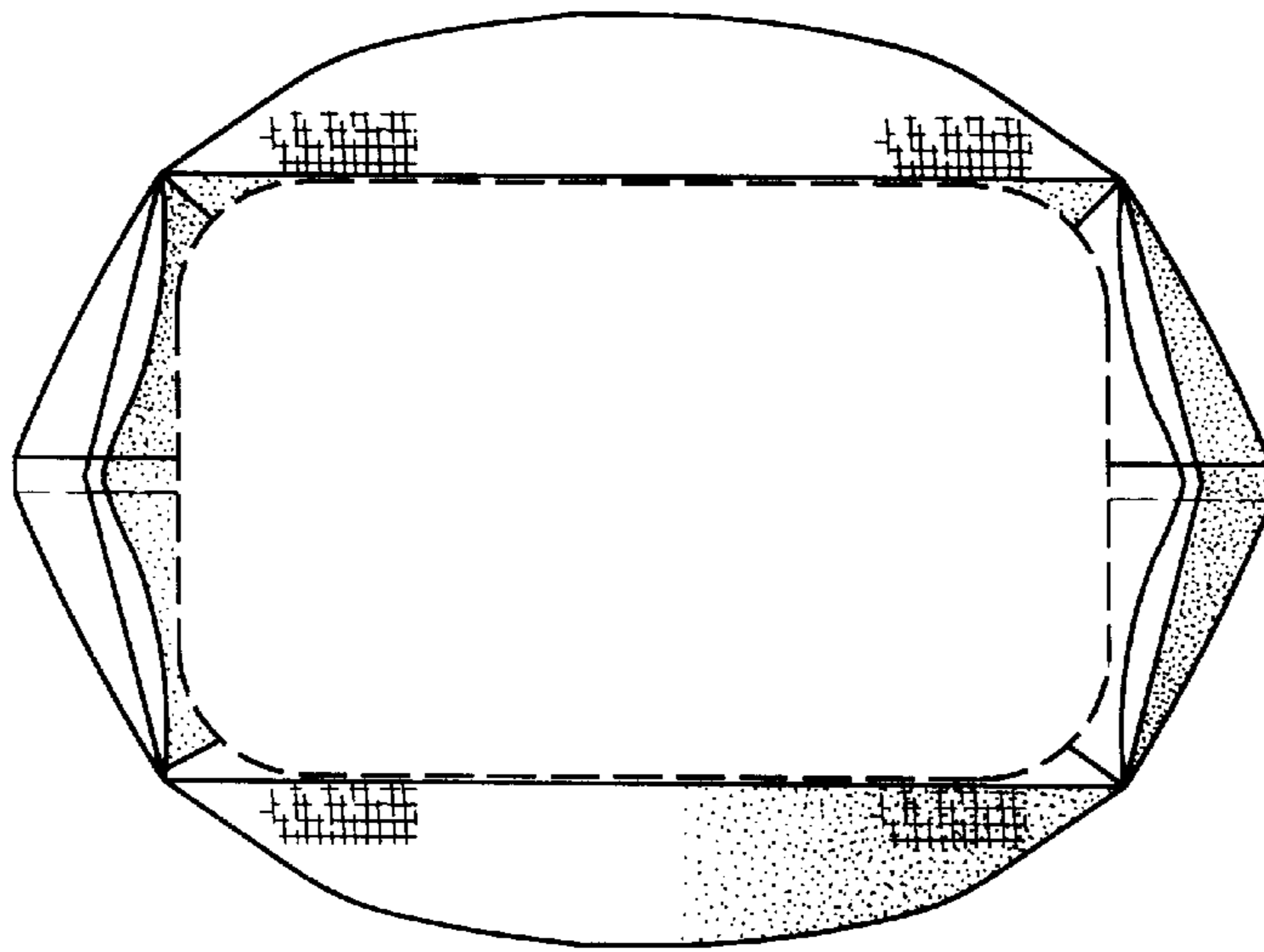


Fig. 11

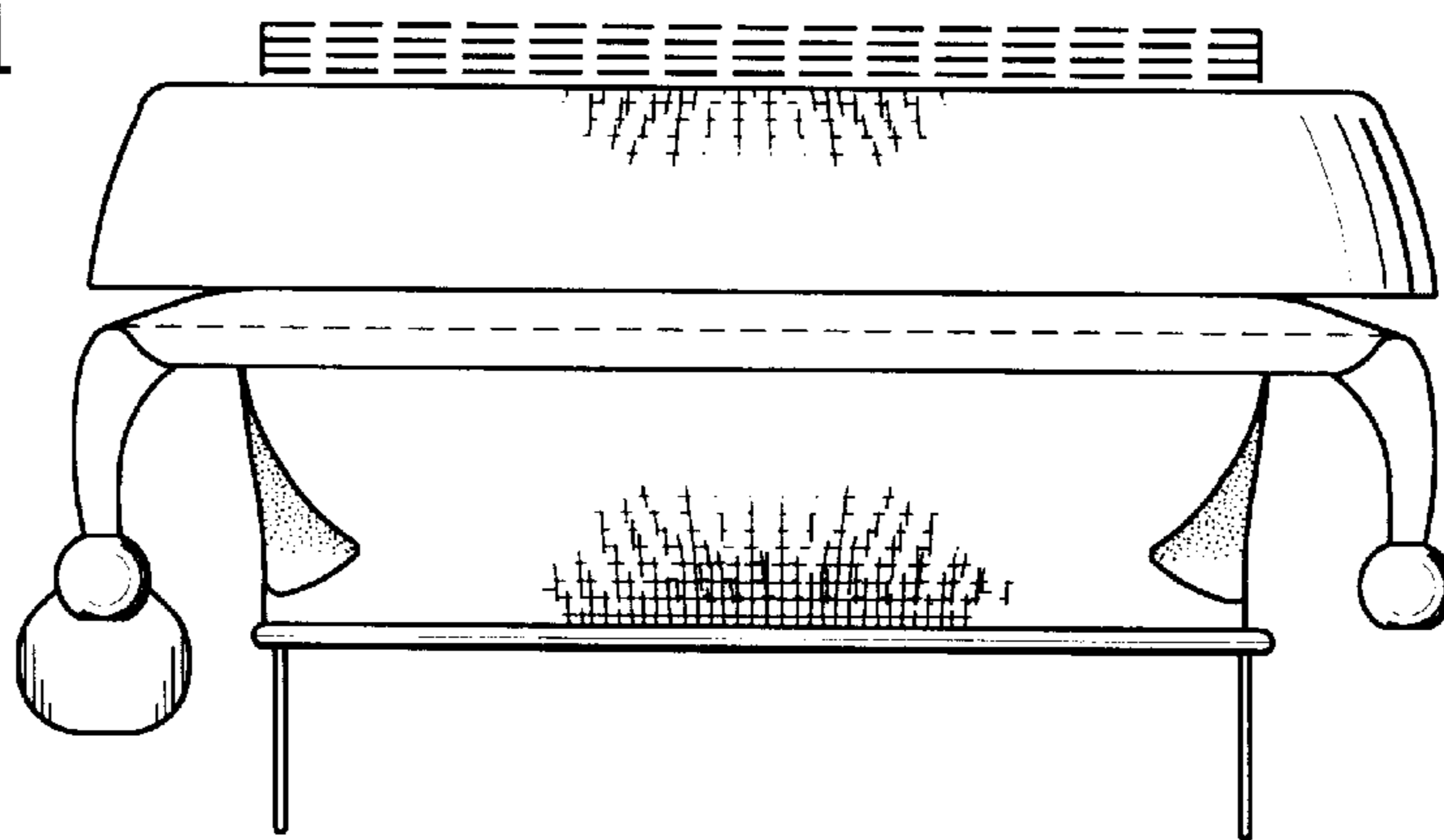


Fig. 12

