



US00D451278B1

(12) **United States Design Patent**  
**Cooper**

(10) **Patent No.:** **US D451,278 S**

(45) **Date of Patent:** **\*\* Dec. 4, 2001**

(54) **CONTAINER**

5,042,674 \* 8/1991 Ramsay et al. .... 206/505  
5,992,673 \* 11/1999 Hwang ..... 220/333

(76) Inventor: **Peter McCrostie Cooper**, Santa  
Margarita 01501, San Bernardo,  
Santiago (CL)

\* cited by examiner

*Primary Examiner*—Philip S. Hyder

(\*\*) Term: **14 Years**

(57) **CLAIM**

(21) Appl. No.: **29/132,793**

The ornamental design for a container, as shown and  
described herein.

(22) Filed: **Nov. 16, 2000**

**DESCRIPTION**

(51) **LOC (7) Cl.** ..... **03-01**

(52) **U.S. Cl.** ..... **D3/294; D9/420**

(58) **Field of Search** ..... D3/273, 272, 302,  
D3/294; D9/420, 423, 424; 206/503, 508,  
513, 515, 518

FIG. 1 is a front elevational view of a container showing my  
new design, in a closed state;

FIG. 2 is a top view thereof, in a closed state;

FIG. 3 is a bottom view thereof, in a closed state;

FIG. 4 is a rear elevational view thereof, in a closed state;

FIG. 5 is a right elevational view thereof, in a closed state,  
the left elevational view thereof being a mirror image  
thereof;

FIG. 6 is a right elevational view thereof, in an open state,  
the left elevational view thereof being a mirror image  
thereof;

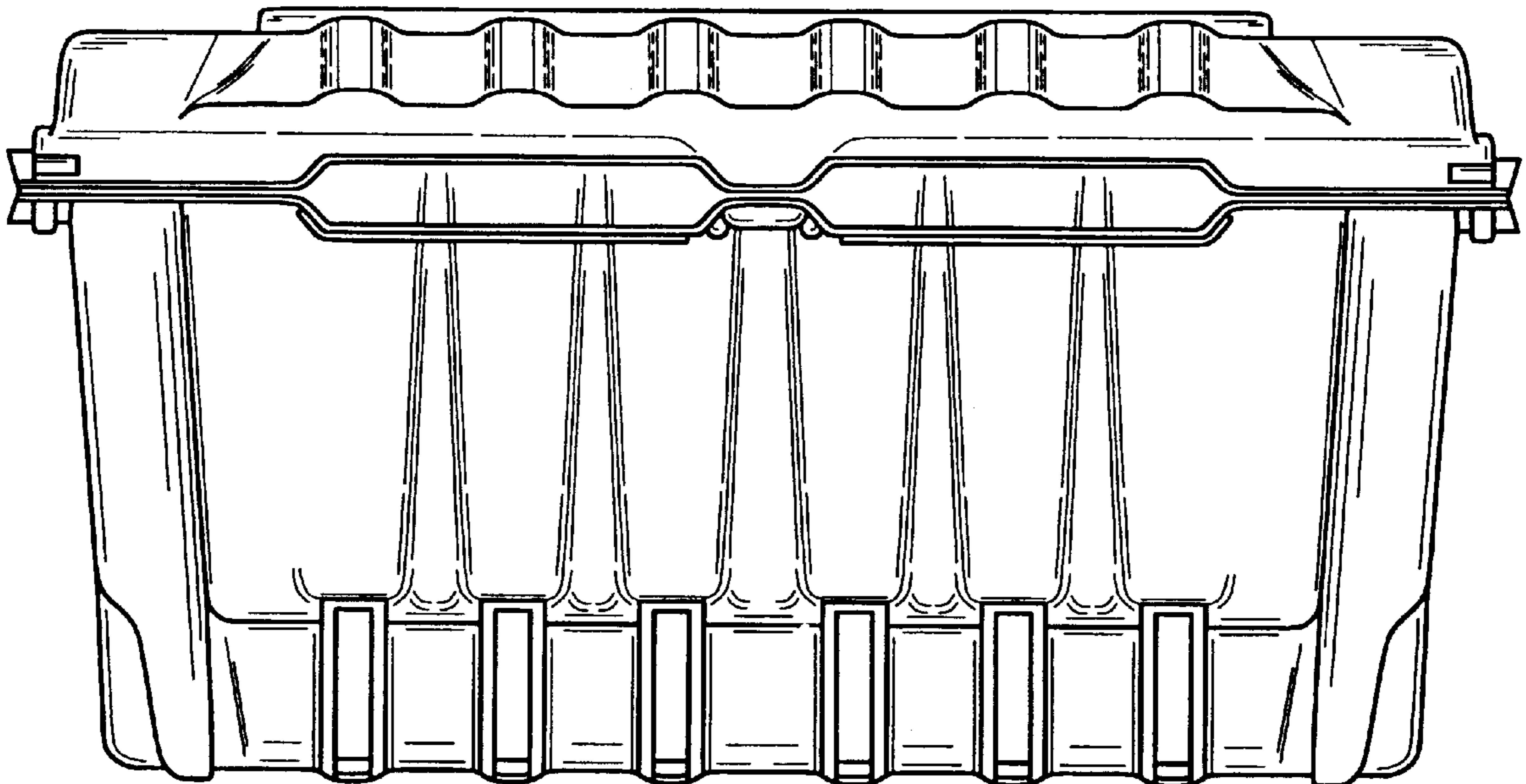
FIG. 7 is a bottom view thereof, in an open state; and,  
FIG. 8 is a top view thereof, in an open state.

(56) **References Cited**

**U.S. PATENT DOCUMENTS**

D. 271,343	*	11/1983	Miller	.....	D3/294
D. 286,937	*	11/1986	Schafer	.....	D3/272
D. 382,112	*	8/1997	Egan	.....	D3/273
D. 384,502	*	10/1997	Seager et al.	.....	D3/294
D. 394,550	*	5/1998	Tanji	.....	D3/273
D. 408,631	*	4/1999	Dickinson et al.	.....	D3/273
3,419,184	*	12/1968	Asenbauer	.....	206/508
4,593,816	*	6/1986	Langenbeck	.....	206/425

**1 Claim, 5 Drawing Sheets**



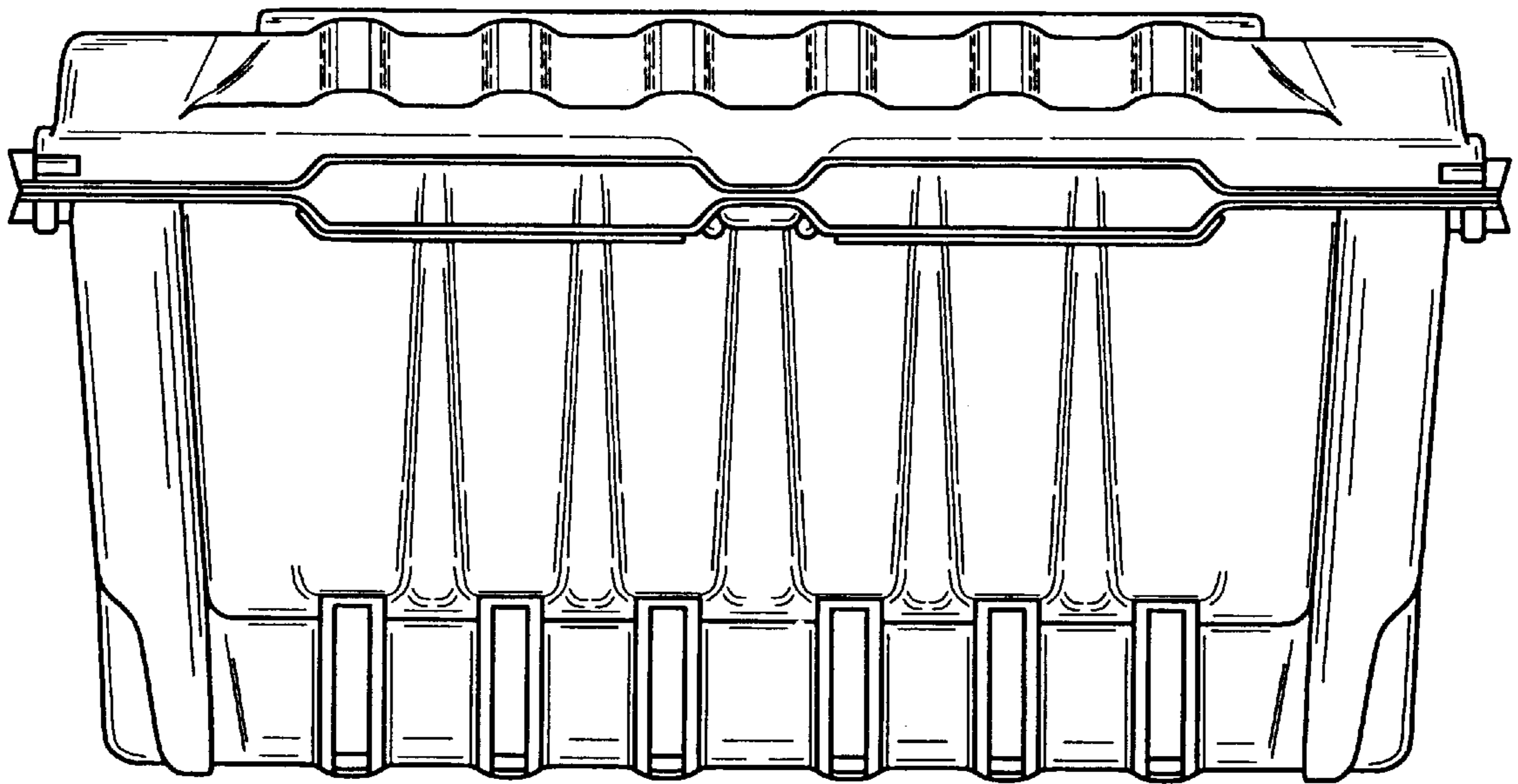


FIG. 1

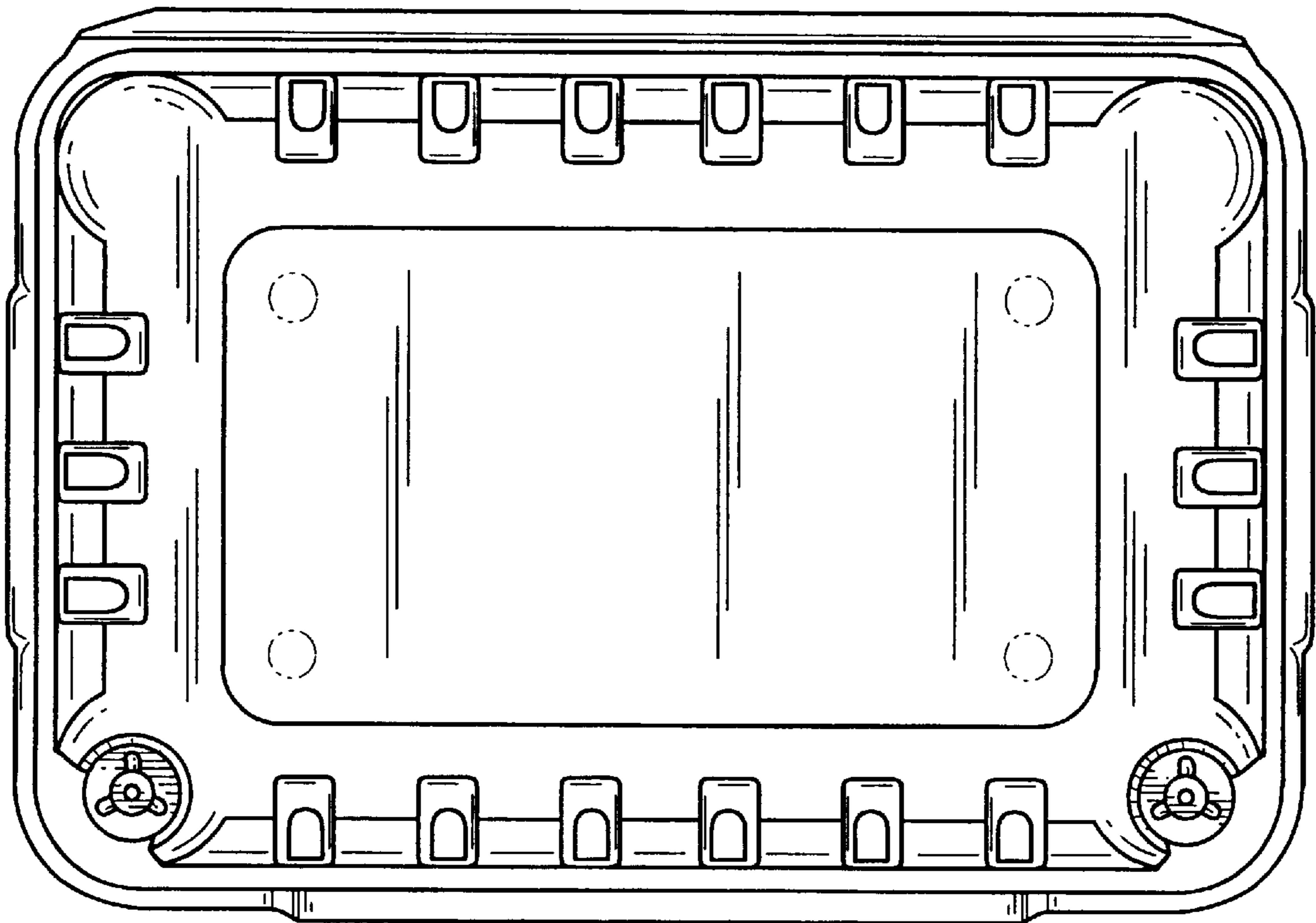


FIG. 2

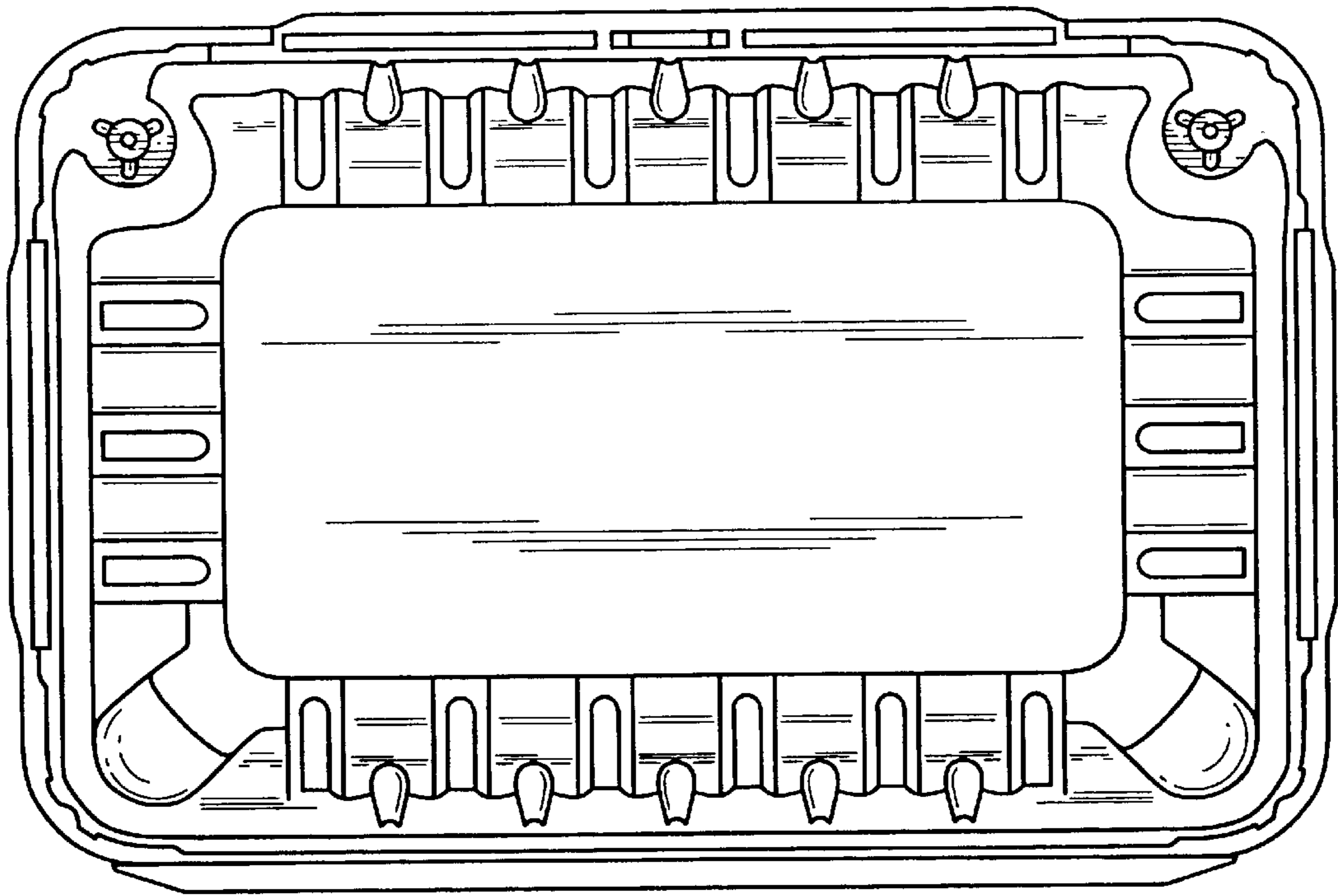


FIG. 3

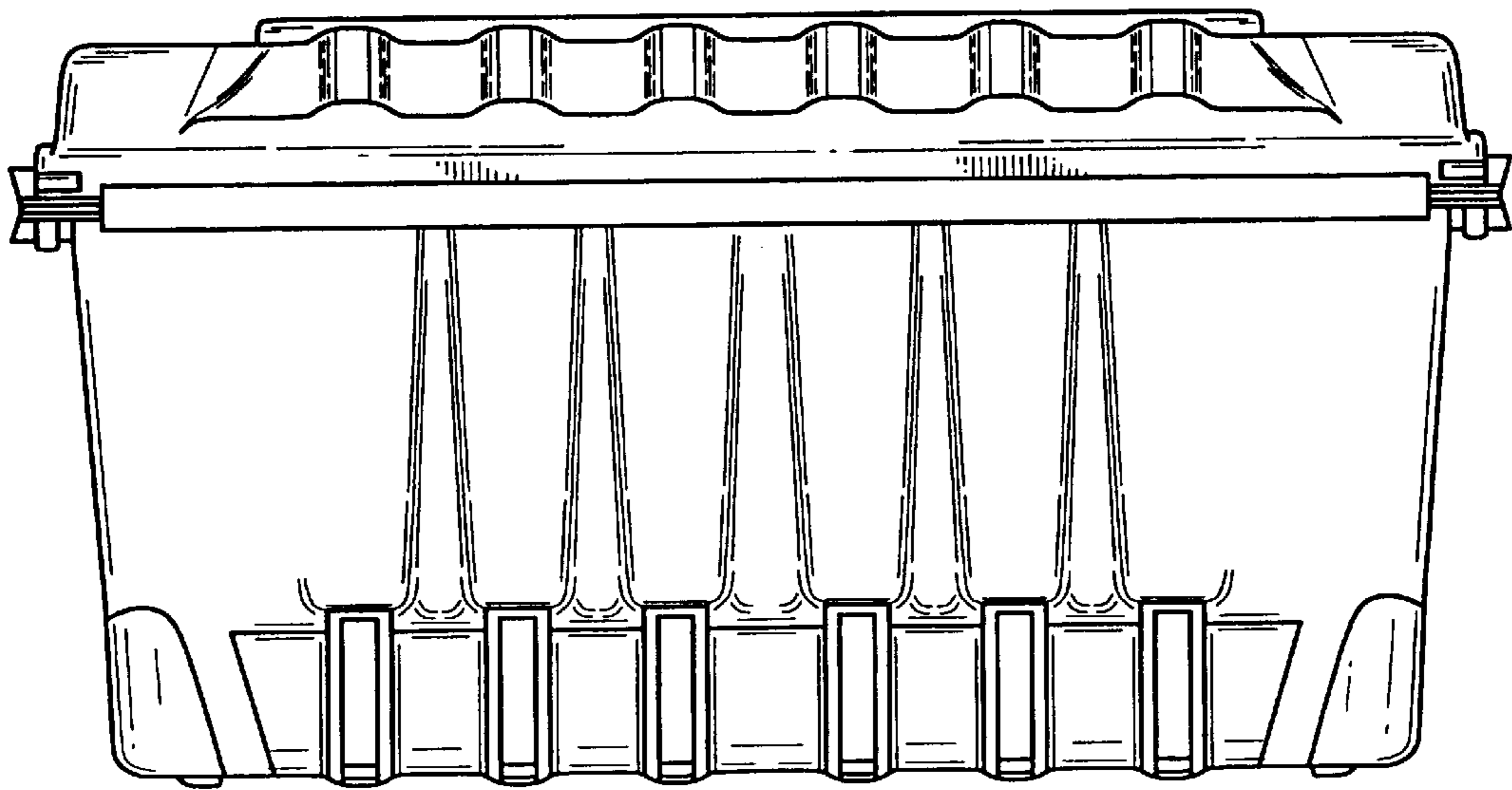


FIG. 4

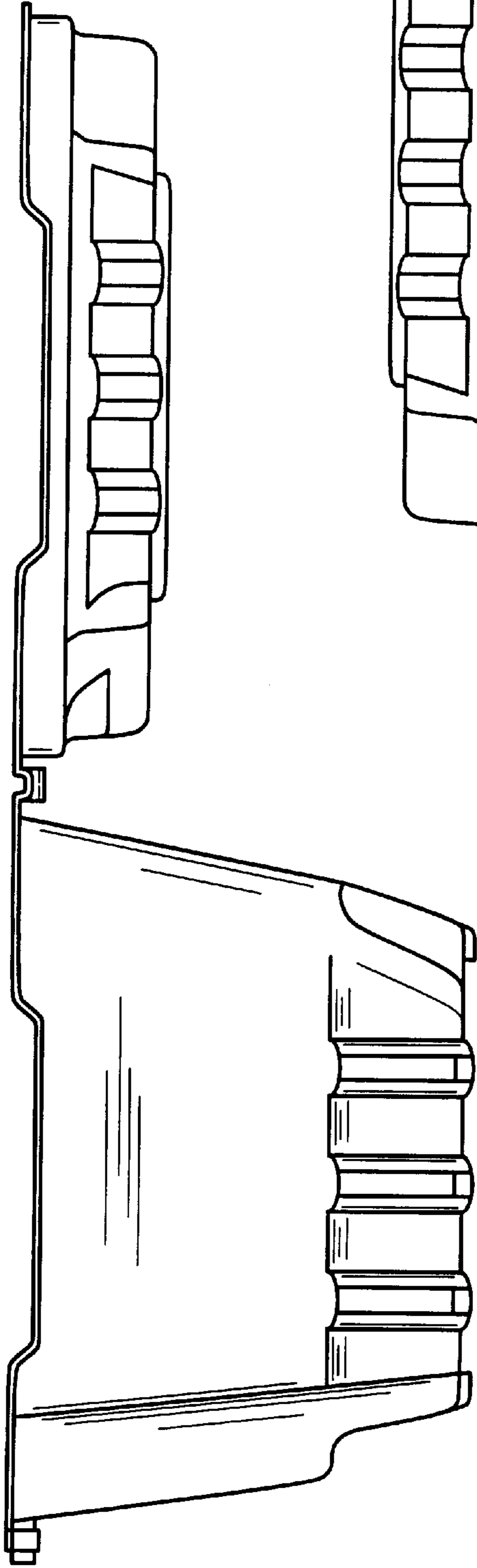


FIG. 6

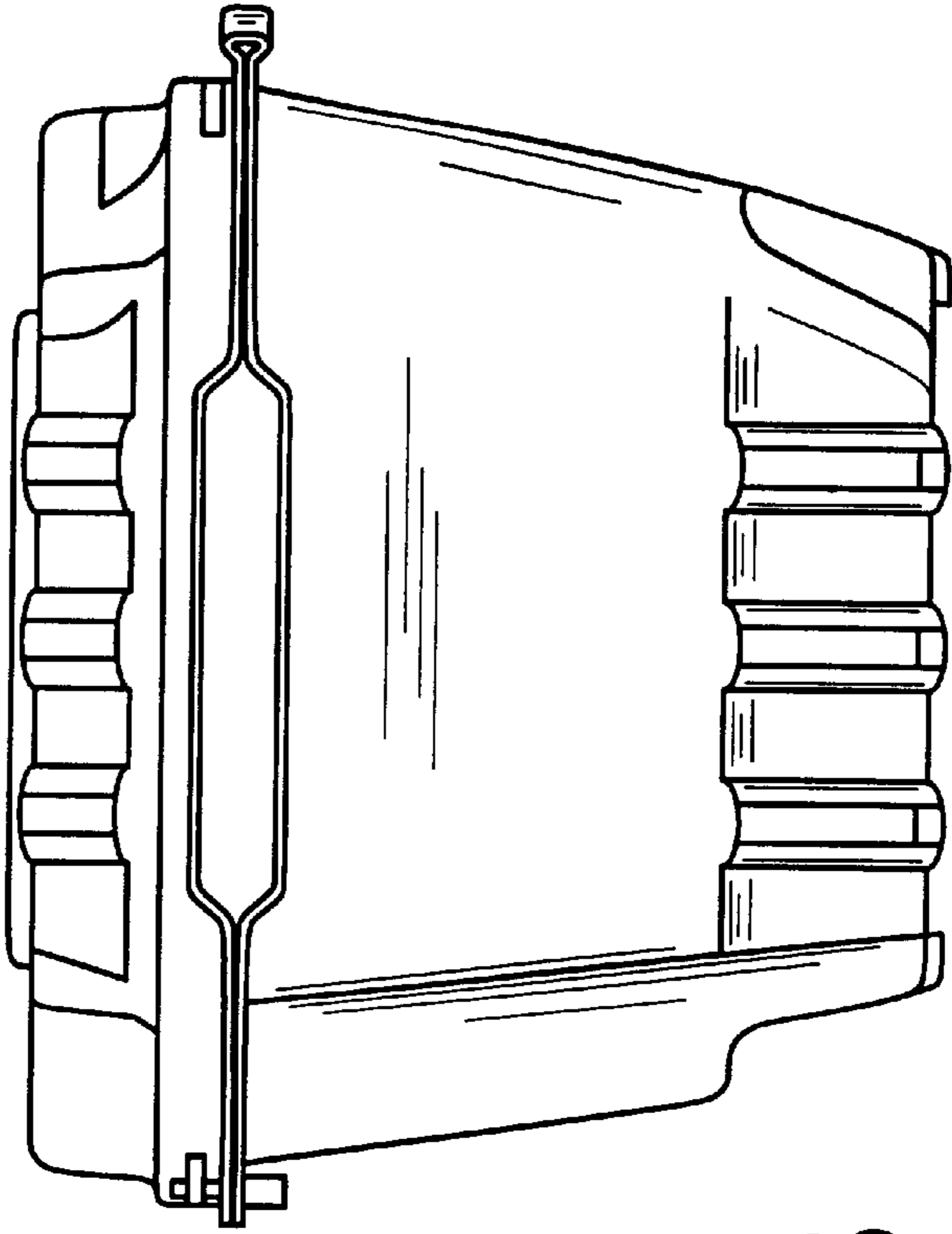


FIG. 5

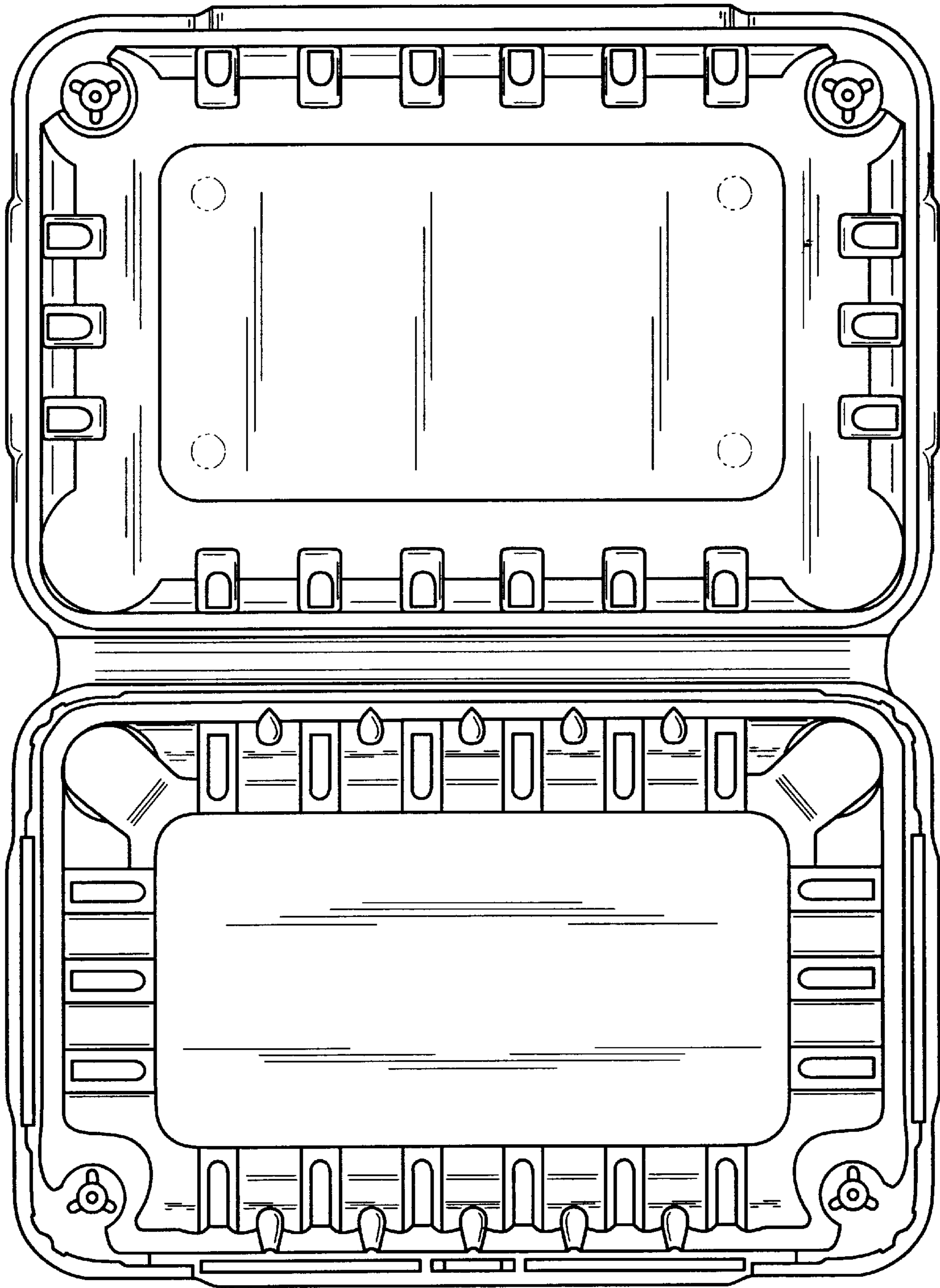


FIG. 7

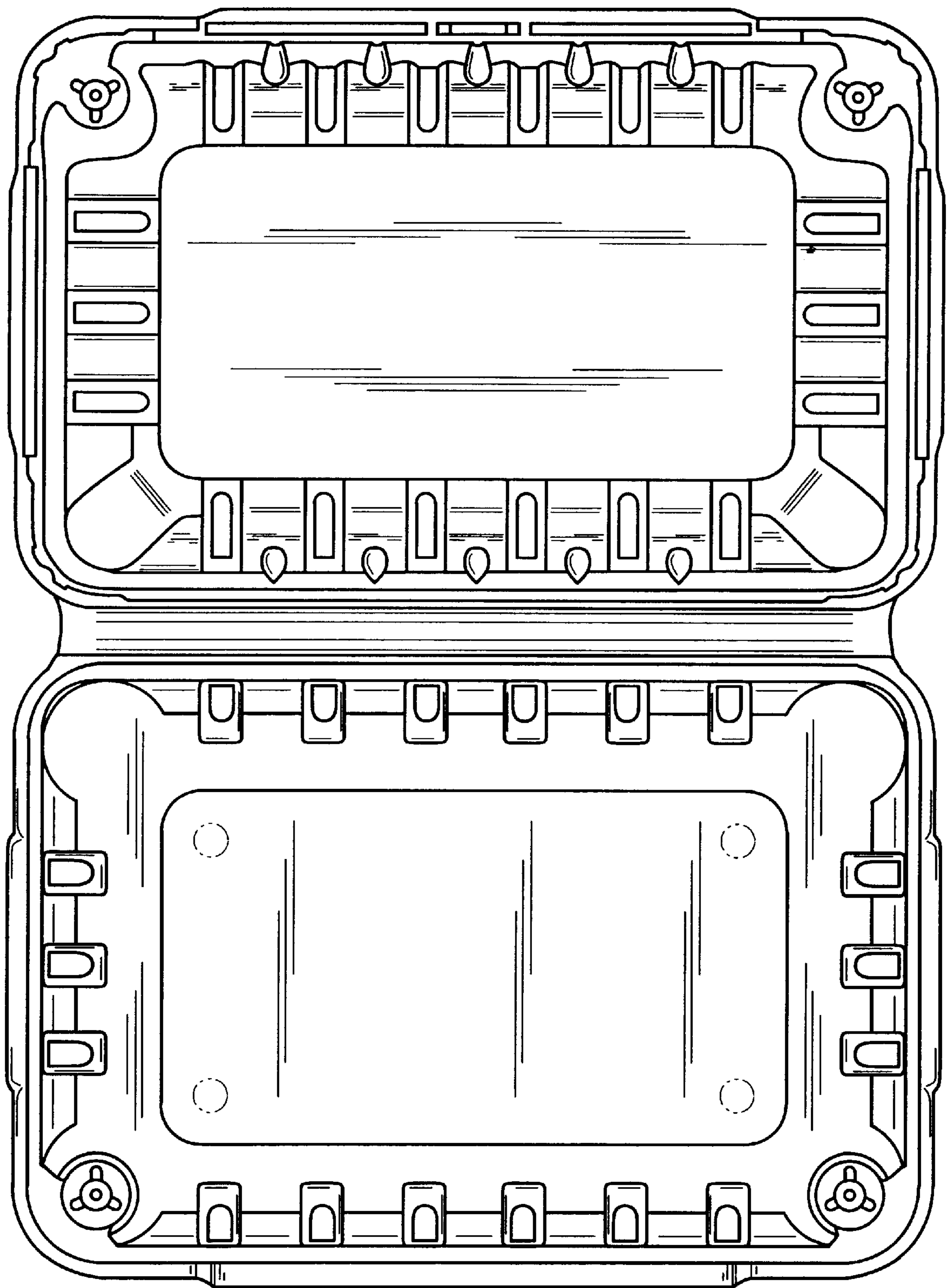


FIG. 8