



US00D451276B1

(12) **United States Design Patent**  
**Nigh**

(10) **Patent No.:** **US D451,276 S**

(45) **Date of Patent:** **\*\* Dec. 4, 2001**

(54) **FORMED PLIERS/TOOL HOLSTER**

3,516,585 \* 6/1970 Inwood ..... 224/904 X

\* cited by examiner

(76) **Inventor:** **John W. Nigh**, 301 N. Acorn,  
Fredericksburg, TX (US) 78624

*Primary Examiner*—Catherine R. Oliver

(\*\*) **Term:** **14 Years**

(57) **CLAIM**

(21) **Appl. No.:** **29/134,610**

The ornamental design for a formed pliers/tool holster, as shown.

(22) **Filed:** **Dec. 27, 2000**

**DESCRIPTION**

(51) **LOC (7) Cl.** ..... **03-01**

FIG. 1 is a front elevation view of the formed pliers/tool holster showing my new design;

(52) **U.S. Cl.** ..... **D3/228**

FIG. 2 is a left side elevation view thereof;

(58) **Field of Search** ..... D3/228, 224, 226,  
D3/215; 224/904, 901, 240, 241, 245, 673,  
677; 206/336-340

FIG. 3 is a top plan view thereof;

FIG. 4 is a rear elevation view thereof;

FIG. 5 is a right side elevation view thereof;

FIG. 6 is a bottom plan view thereof;

(56) **References Cited**

FIG. 7 is a front elevation view of a second embodiment;

FIG. 8 is a left side elevation view thereof; and,

FIG. 9 is a top plan view thereof.

**U.S. PATENT DOCUMENTS**

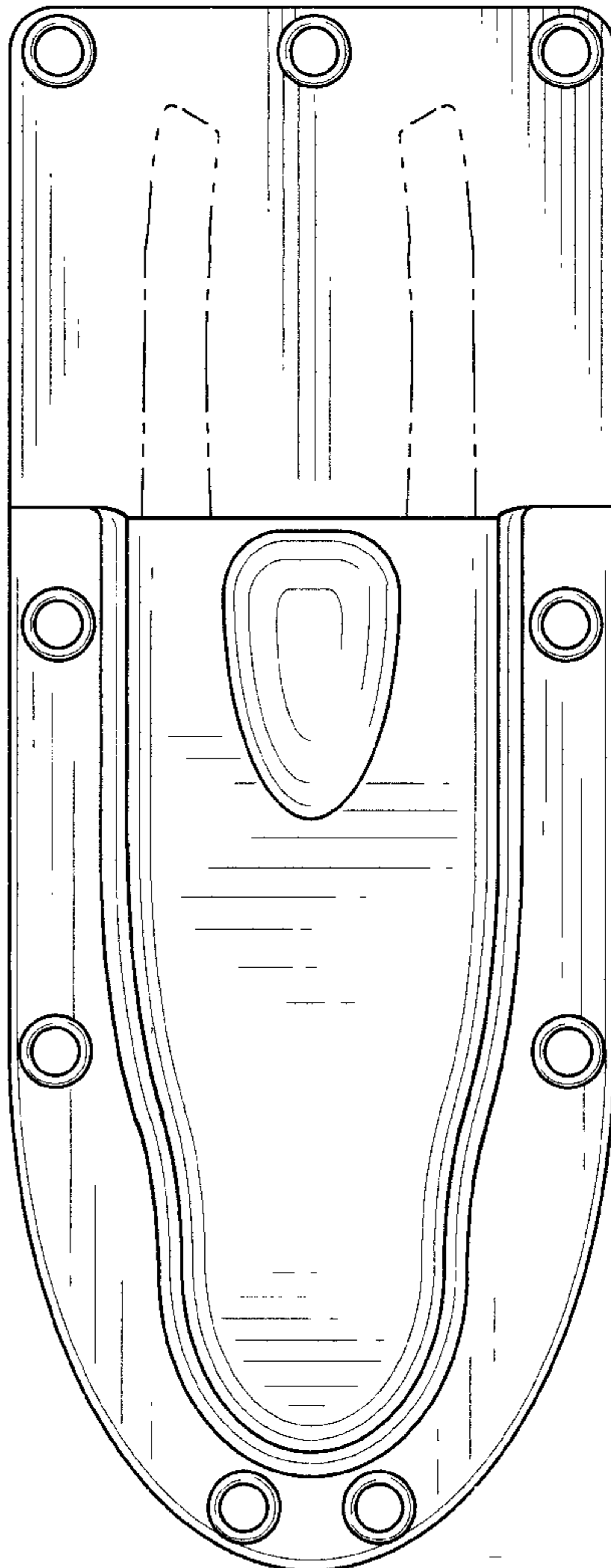
D. 332,351 \* 1/1993 Smith ..... D3/228

The broken line showing pliers assembly is for illustrative purposes only and forms no part of the claimed design.

D. 333,040 \* 2/1993 Dancyger ..... D3/228

D. 433,229 \* 11/2000 Harker et al. .... D3/228

**1 Claim, 3 Drawing Sheets**



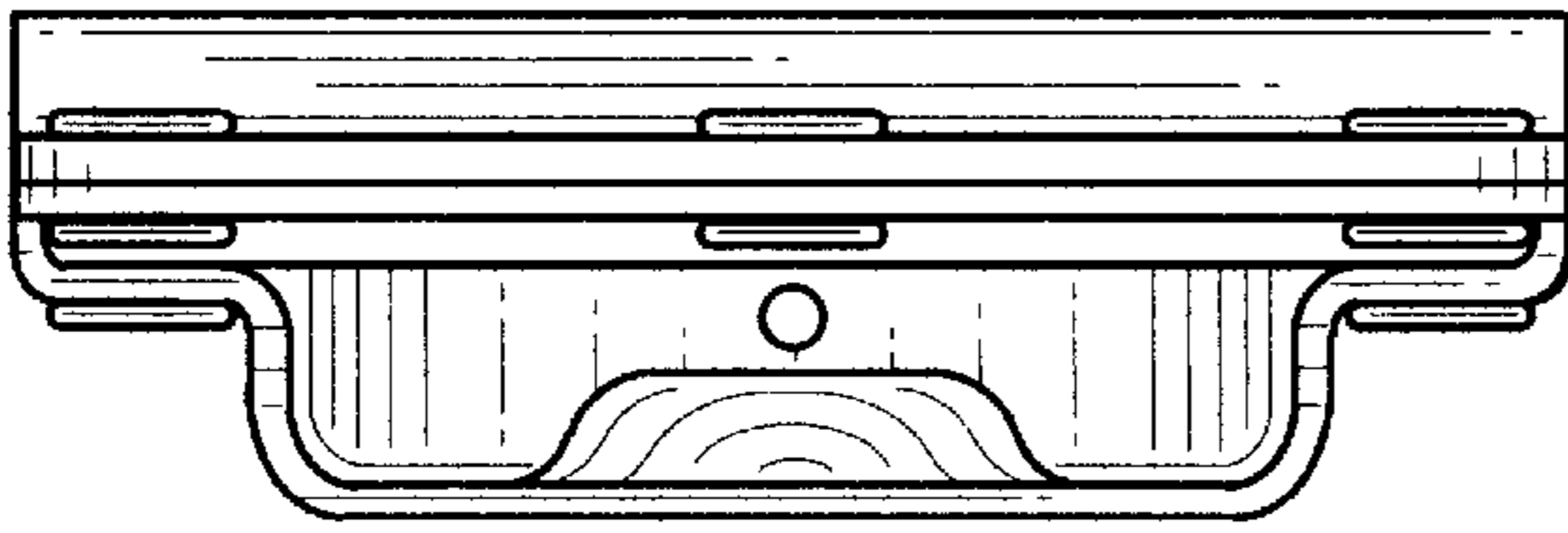


Fig. 3

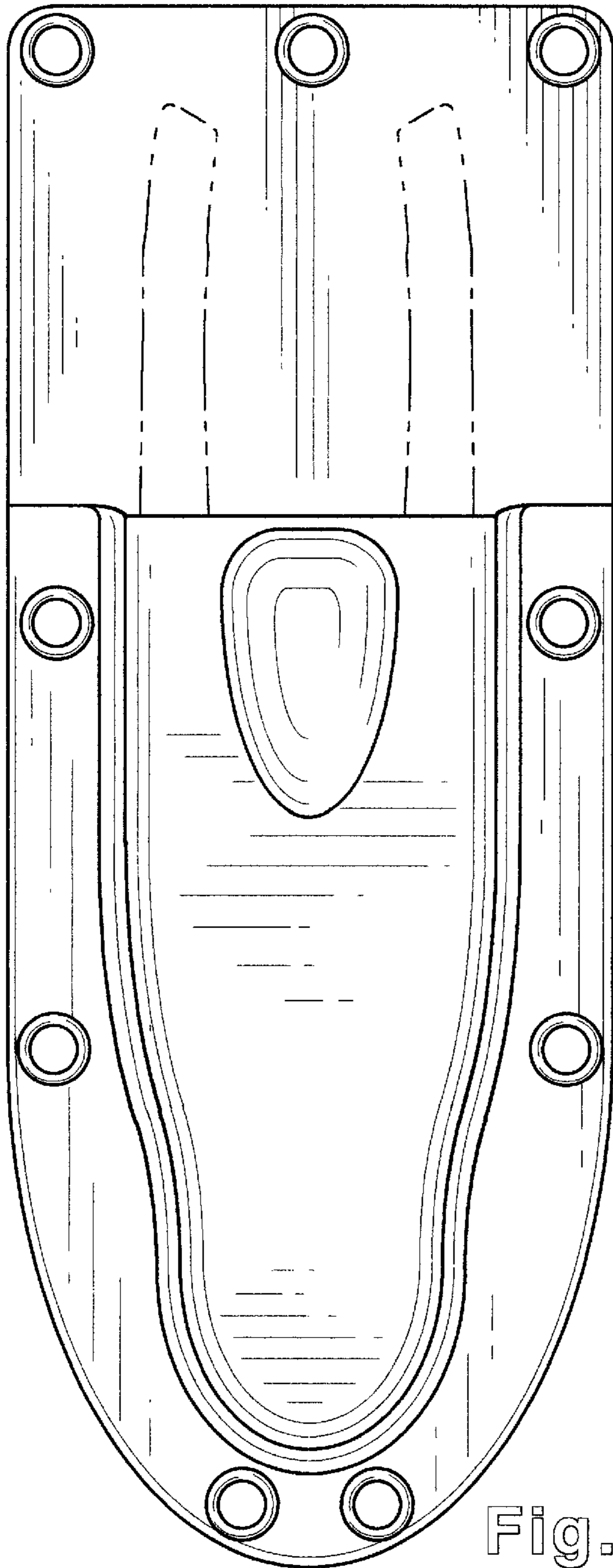


Fig. 1

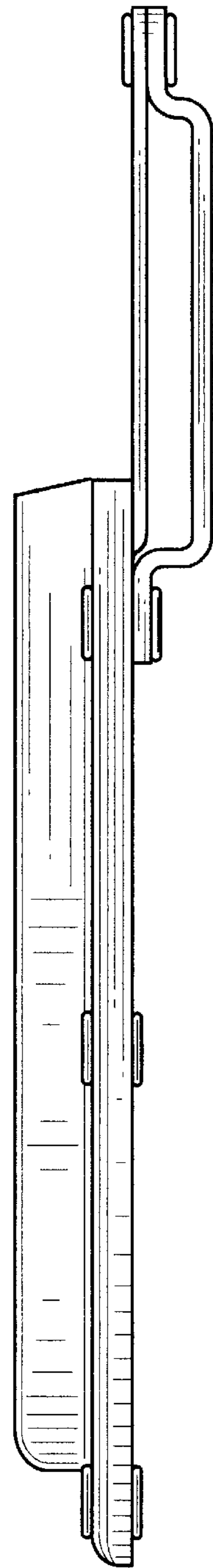


Fig. 2

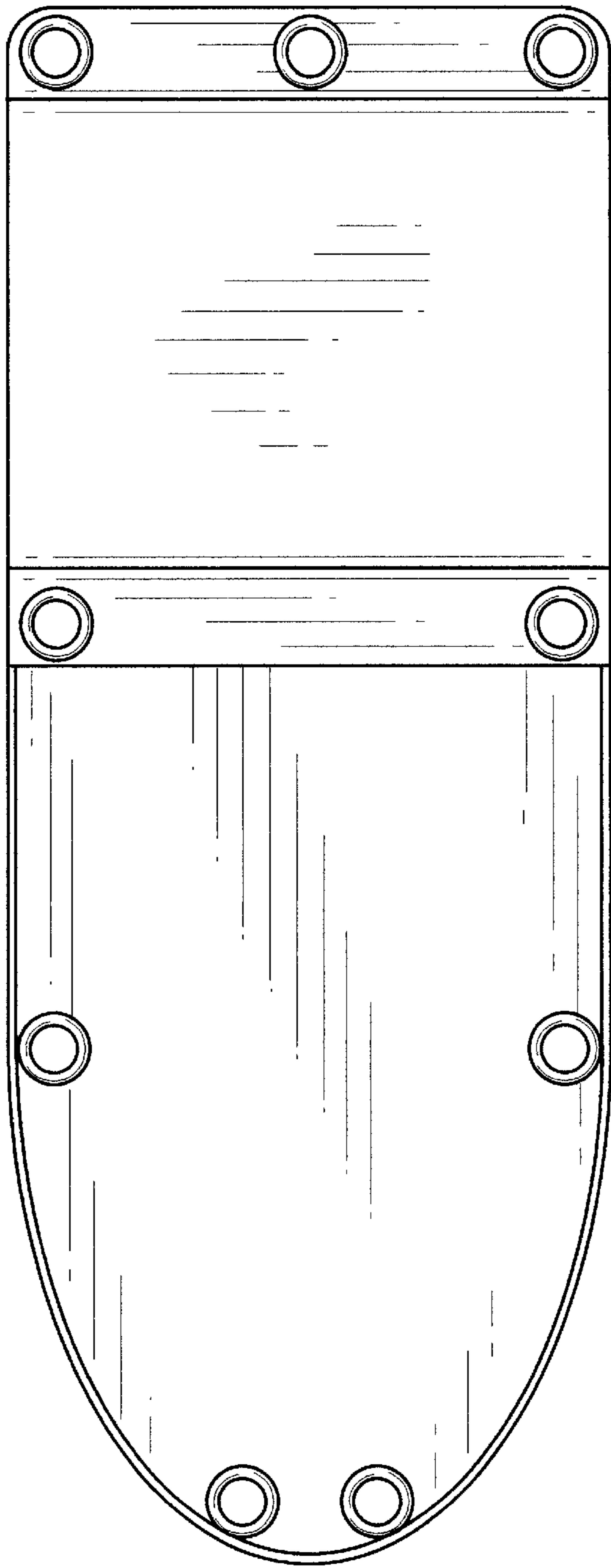


Fig. 4

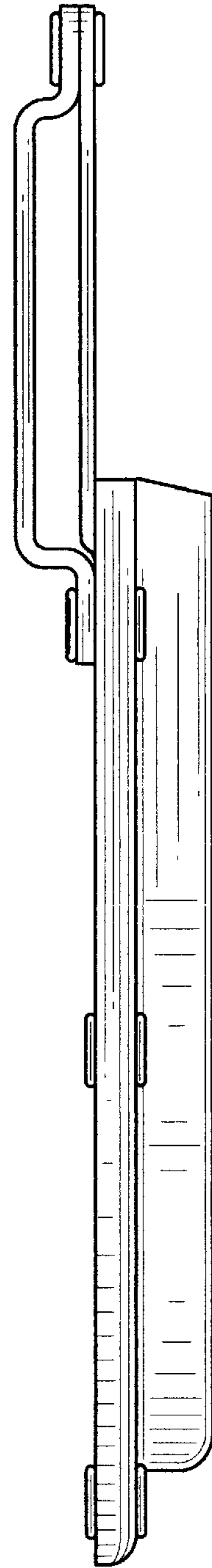


Fig. 5

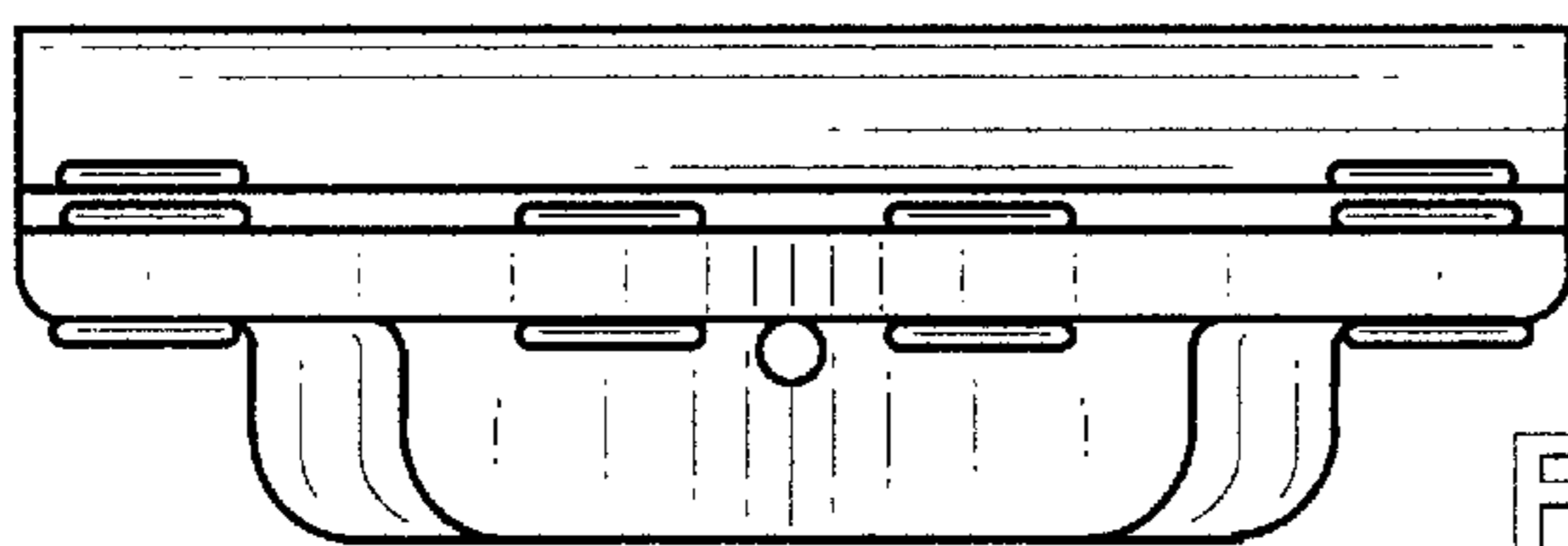


Fig. 6

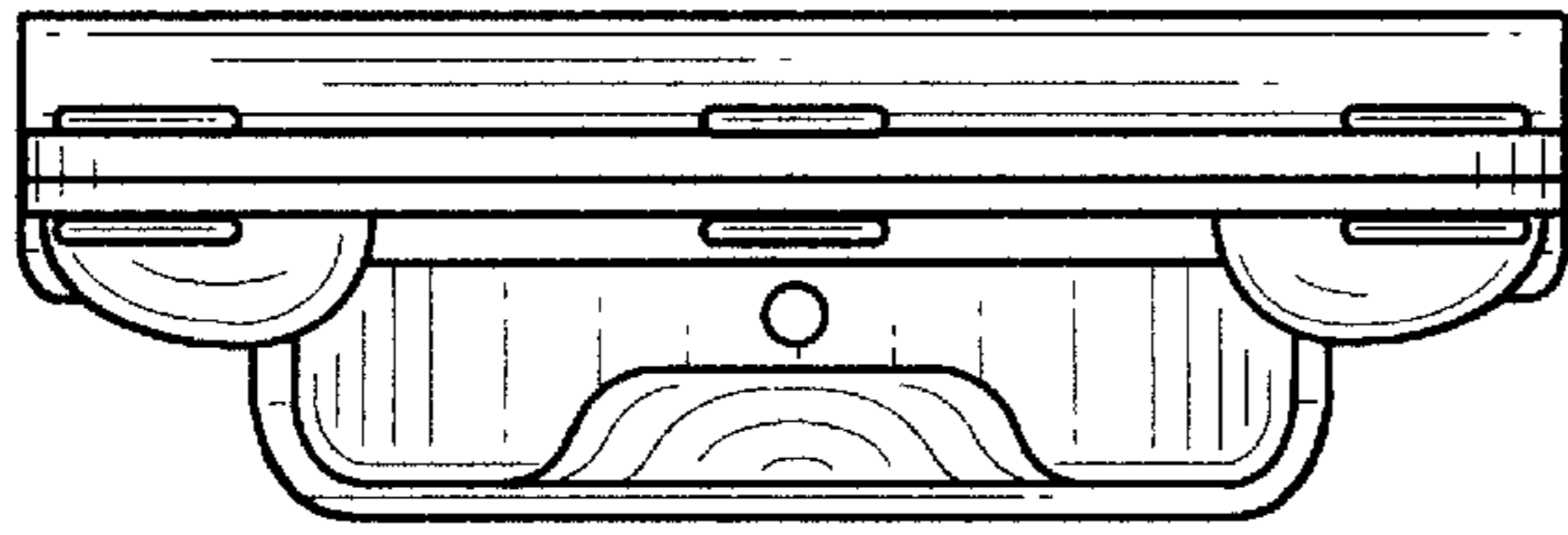


Fig. 9

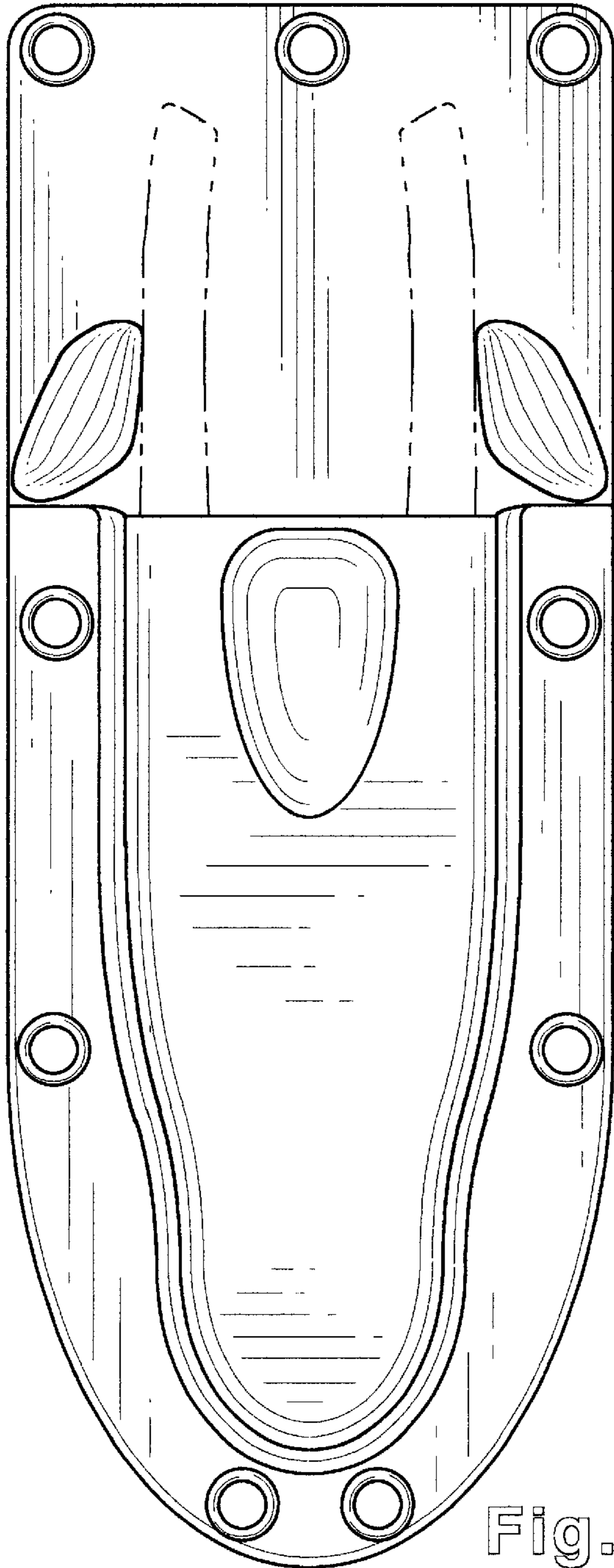


Fig. 7

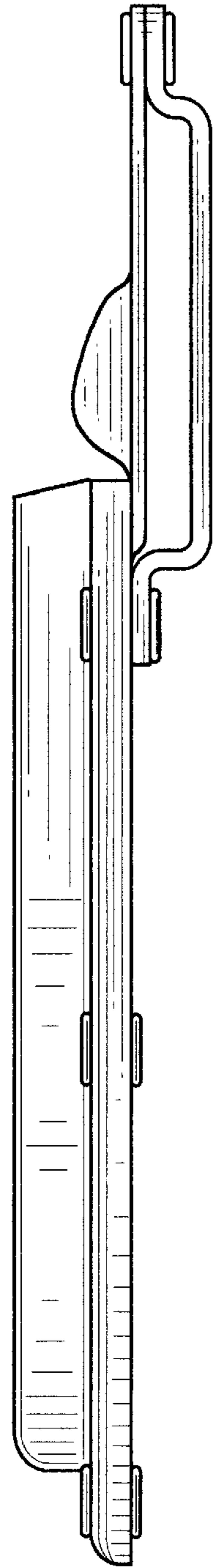


Fig. 8