



US00D451273B1

(12) **United States Design Patent**  
**Moor et al.**

(10) **Patent No.:** **US D451,273 S**

(45) **Date of Patent:** **\*\* Dec. 4, 2001**

(54) **PENCIL POUCH**  
  
(75) Inventors: **Marc L. Moor**, Oakwood; **Jeffrey T. DeBord**, Worthington; **Diana W. Juratovac**, Columbus, all of OH (US)  
  
(73) Assignee: **The Mead Corporation**, Dayton, OH (US)  
  
(\*\*) Term: **14 Years**

5,752,837	5/1998	Palmer	434/413
5,759,043	6/1998	Craig	434/247
5,876,144	3/1999	Bedol et al.	402/4
5,878,672	3/1999	Ostermann et al.	108/44
5,911,441	6/1999	Yamamoto et al.	281/15.1
5,918,394	7/1999	Babcock	40/122
5,951,190	9/1999	Wilson	402/73
6,004,060	12/1999	Bedol	402/4
6,017,062	1/2000	White	281/29
6,213,670 *	4/2001	Wien	190/903

\* cited by examiner

(21) Appl. No.: **29/132,573**  
(22) Filed: **Nov. 9, 2000**

*Primary Examiner*—Louis S. Zarfaz  
*Assistant Examiner*—Monica A. Weingart  
(74) *Attorney, Agent, or Firm*—Tompson Hine LLP

(51) **LOC (7) Cl.** ..... **03-01**  
(52) **U.S. Cl.** ..... **D3/206; D19/32**  
(58) **Field of Search** ..... D3/201, 206, 247,  
D3/252, 900; D19/32; 132/286; 206/371,  
473, 581; 283/65; 402/79, 80 R; 190/903

(57) **CLAIM**

The ornamental design for a pencil pouch, as shown and described.

(56) **References Cited**

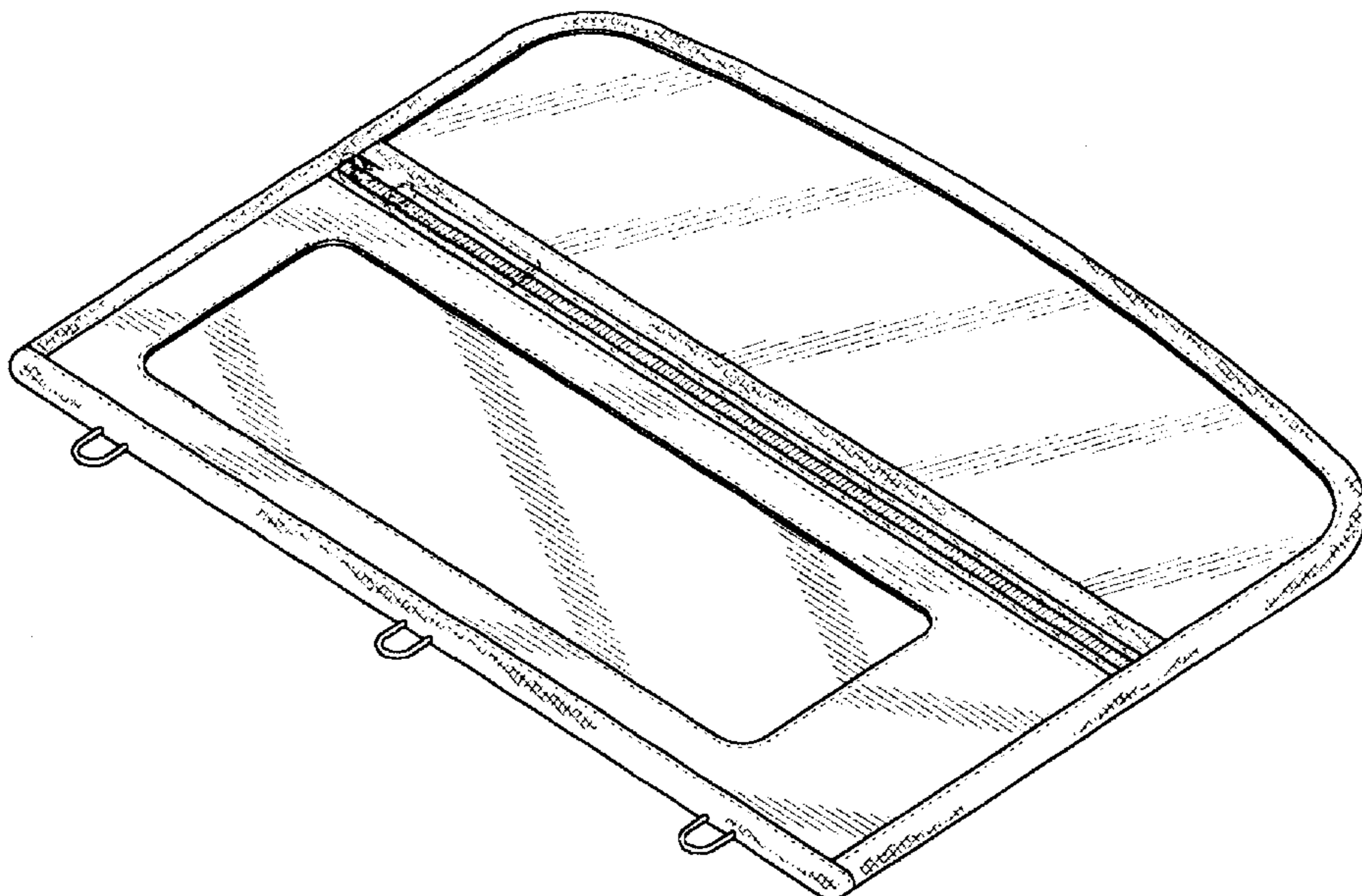
**DESCRIPTION**

**U.S. PATENT DOCUMENTS**

D. 274,065 *	5/1984	Goutchat	D3/247 X
D. 377,713 *	2/1997	Chandler	D3/247
D. 408,860	4/1999	Ho	D19/90
2,677,376	5/1954	Brunner	129/1
4,244,660 *	1/1981	Aronson	402/79
4,296,945	10/1981	Pavlik	281/1
4,586,730	5/1986	Shulyak	281/45
4,802,575	2/1989	Martin	206/232
4,838,724	6/1989	Spence, Jr.	402/79
4,961,596	10/1990	Moor	281/15.1
5,036,973	8/1991	Aida	206/214
5,294,208	3/1994	Tremmel, Jr. et al.	402/70
5,366,070 *	11/1994	Wolov	206/371 X
5,472,239	12/1995	Trujillo	283/34
5,476,336 *	12/1995	Osiecki et al.	402/79
5,498,089	3/1996	Motyka	402/4
5,597,256	1/1997	Burton et al.	402/4

FIG. 1 is a front perspective view of the notebook organizer of the present invention;  
FIG. 2 is a front view of the notebook organizer of FIG. 1;  
FIG. 3 is a bottom end view of the notebook organizer of FIG. 1;  
FIG. 4 is a left side view of the notebook organizer of FIG. 1;  
FIG. 5 is a right side view of the notebook organizer of FIG. 1;  
FIG. 6 is a top end view of the notebook organizer of FIG. 1; and,  
FIG. 7 is a bottom view of the notebook organizer of FIG. 1.  
The hidden lines are for illustrative purposes only and form no part of the claimed design.

**1 Claim, 4 Drawing Sheets**



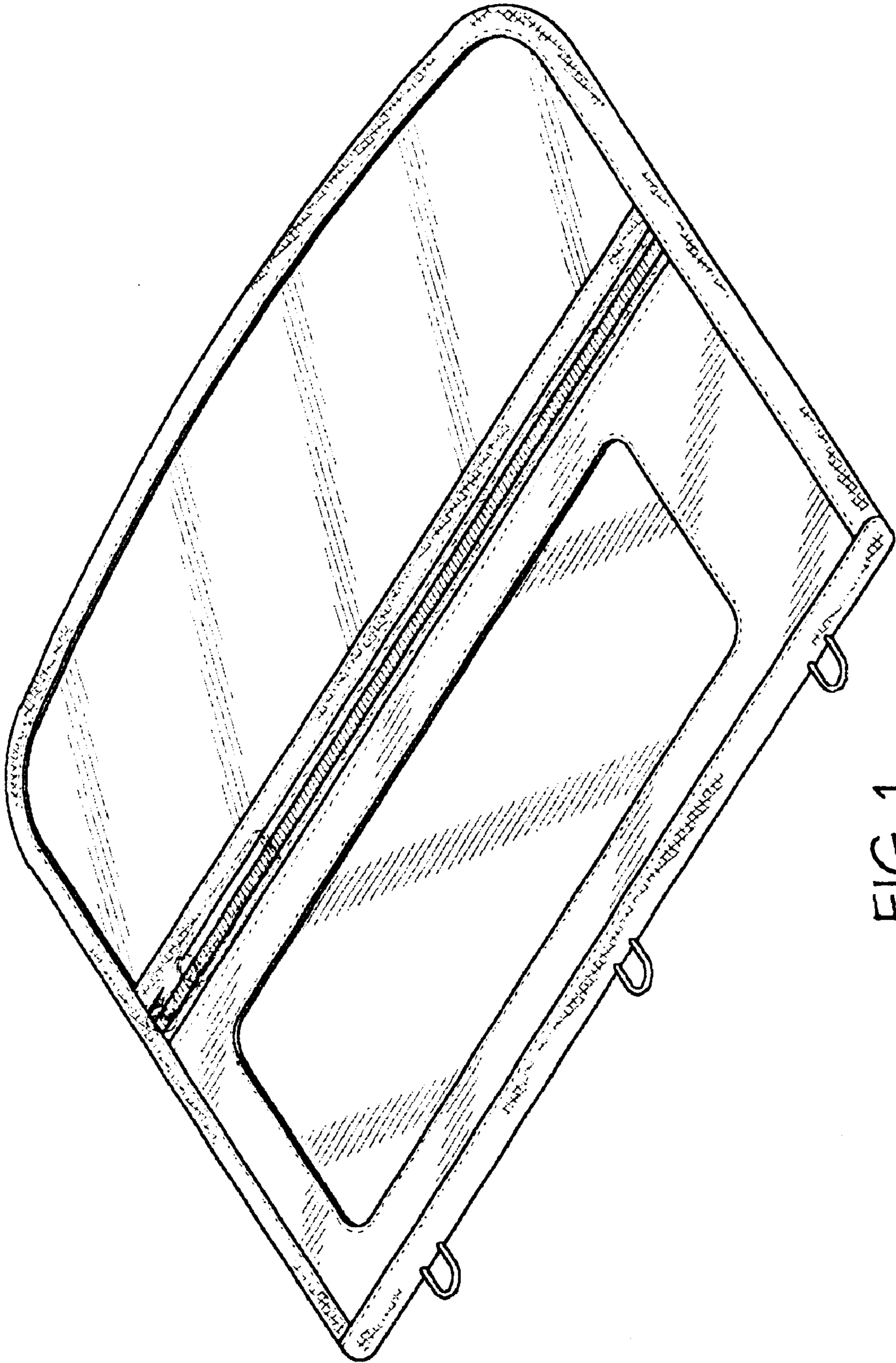


FIG. 1

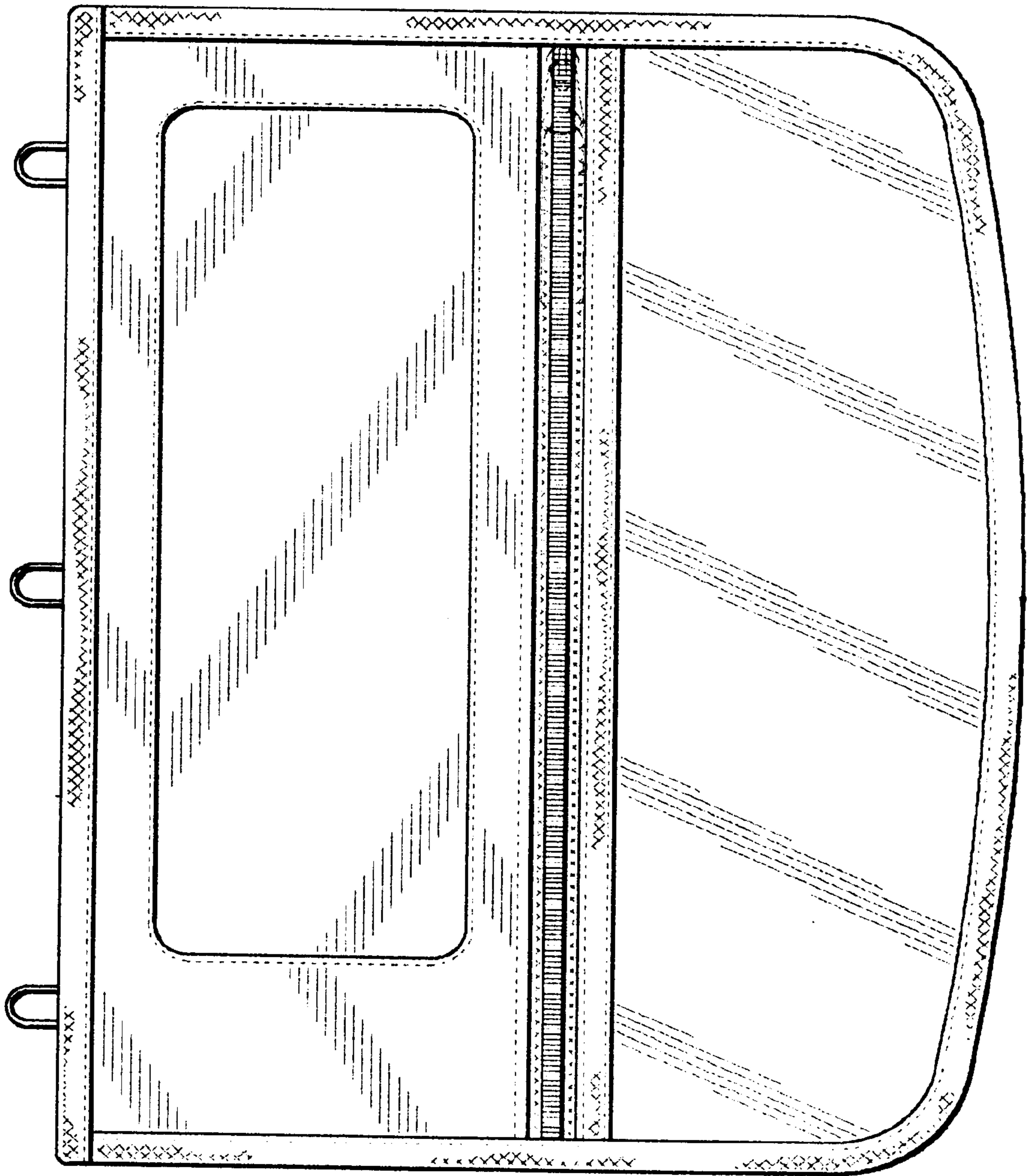


FIG. 2



FIG. 3



FIG. 4



FIG. 5



FIG. 6

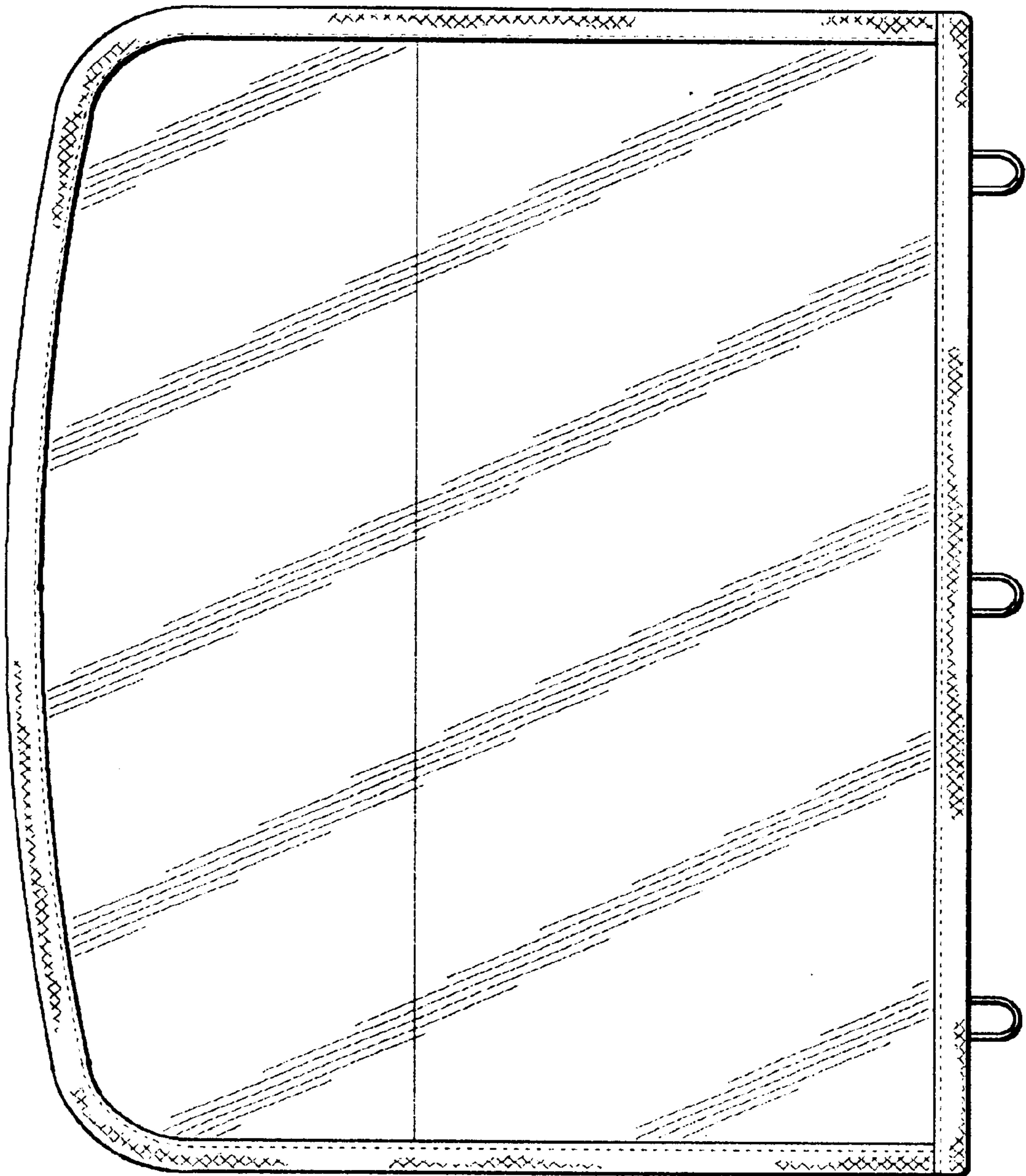


FIG. 7