



US00D451258B1

(12) **United States Design Patent**
Carrier

(10) **Patent No.:**

US D451,258 S

(45) **Date of Patent:**

**** Nov. 27, 2001**

(54) **COLUMBARIUM**

(76) Inventor: **Johnny Carrier**, 41, rue Méridien,
Kirkland (Québec) (CA), H9J 3V8

(**) Term: **14 Years**

(21) Appl. No.: **29/122,676**

(22) Filed: **May 2, 2000**

(51) **LOC (7) Cl.** **25-03**

(52) **U.S. Cl.** **D99/17**

(58) **Field of Search** D99/1, 5, 8, 15,
D99/17; D6/455; D9/429, 430, 573, 544;
52/134, 136, 236.8, 236.9, 263

(56) **References Cited**

U.S. PATENT DOCUMENTS

| | | | | | |
|------------|---|---------|---------|-------|--------|
| D. 395,121 | * | 6/1998 | Eickhof | | D99/5 |
| 750,157 | * | 1/1904 | Bonus | | 52/134 |
| 1,050,717 | * | 1/1913 | Bermel | | 52/134 |
| 1,300,173 | * | 4/1919 | Kennedy | | 52/136 |
| 5,979,124 | * | 11/1999 | Branan | | 52/136 |

* cited by examiner

Primary Examiner—Paula A. Mortimer

(74) *Attorney, Agent, or Firm*—François Martineau

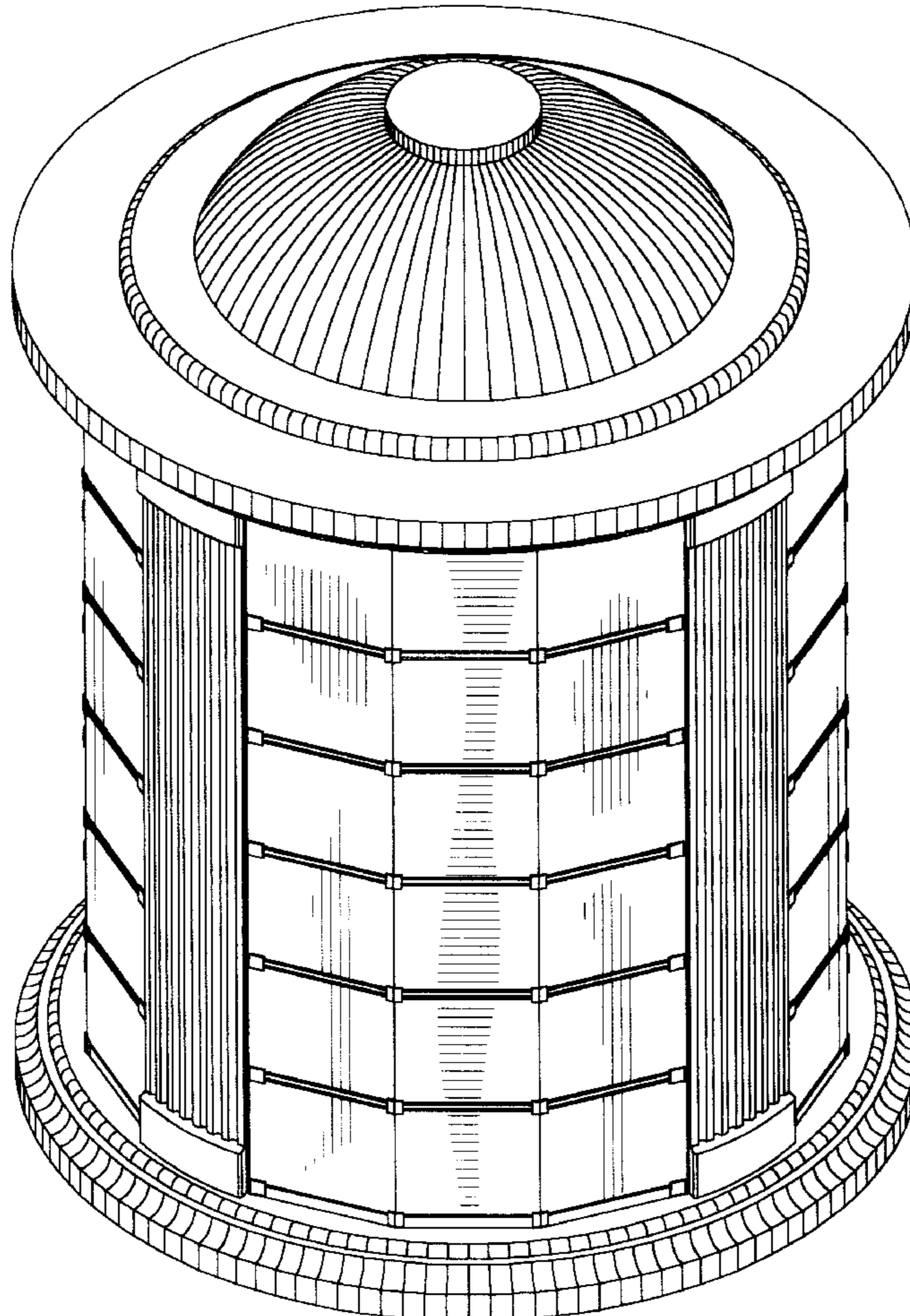
(57) **CLAIM**

I claim an ornamental design on a columbarium, as shown and described.

DESCRIPTION

FIG. 1 is a front elevational view of a columbarium showing my new design;
 FIG. 2 is a bottom plan view thereof;
 FIG. 3 is a top plan view thereof;
 FIG. 4 is a rear elevational view thereof;
 FIG. 5 is a top perspective view thereof;
 FIG. 6 is a front elevational view of a second embodiment of a columbarium showing my new design;
 FIG. 7 is a bottom plan view thereof;
 FIG. 8 is a top plan view thereof;
 FIG. 9 is a rear elevational view thereof; and,
 FIG. 10 is a top perspective view thereof.

1 Claim, 10 Drawing Sheets



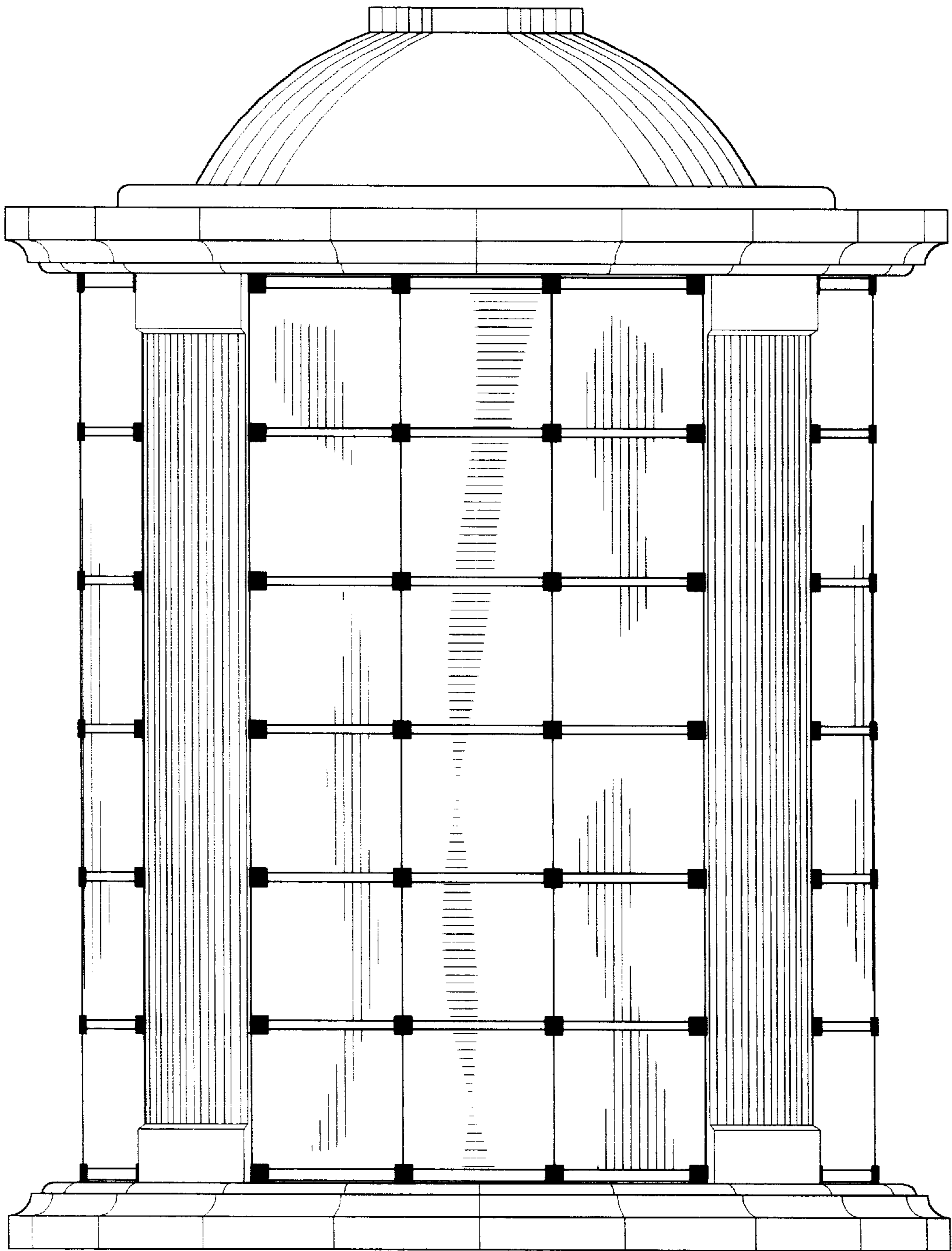


Figure 1

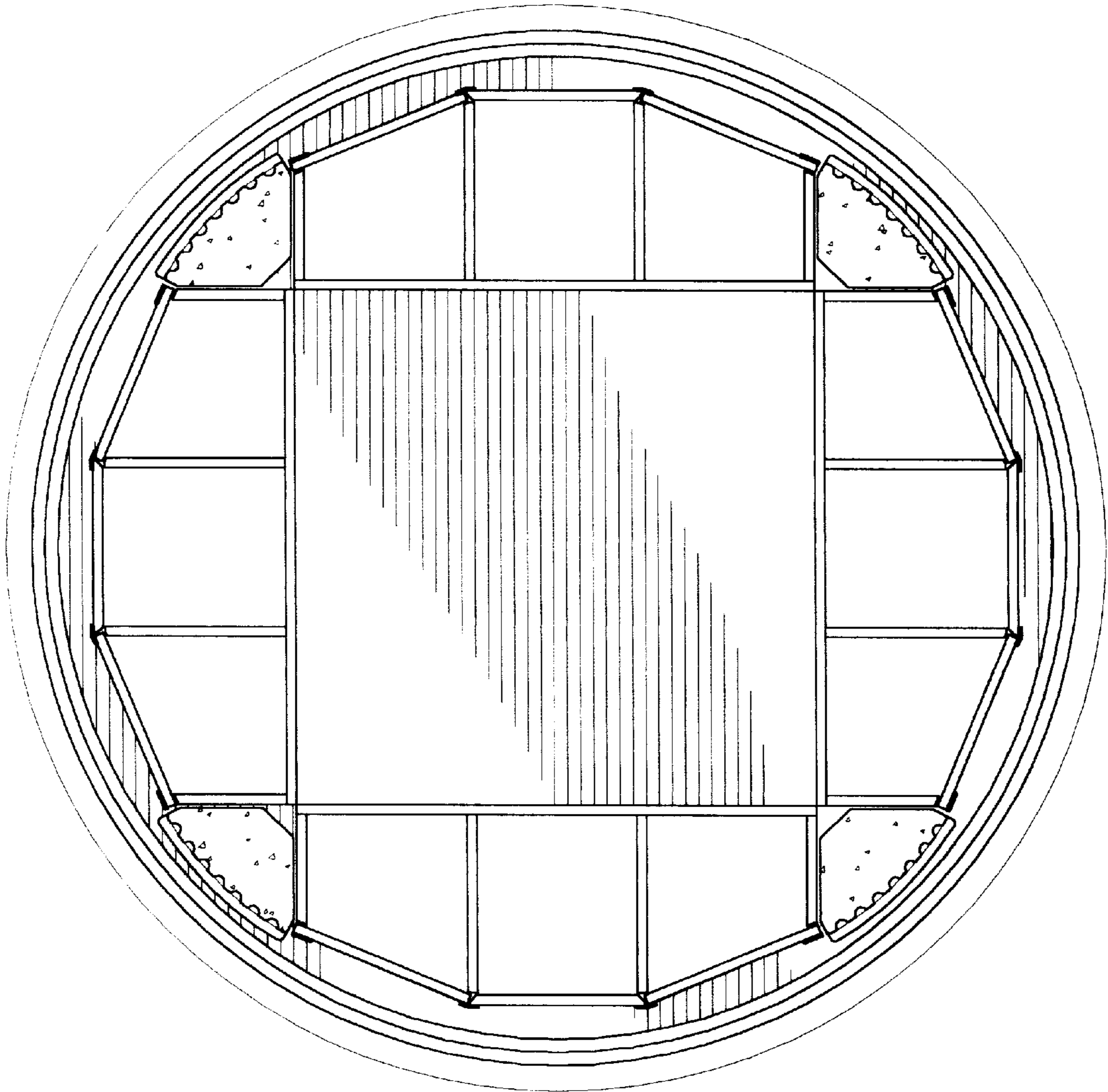


Figure 2

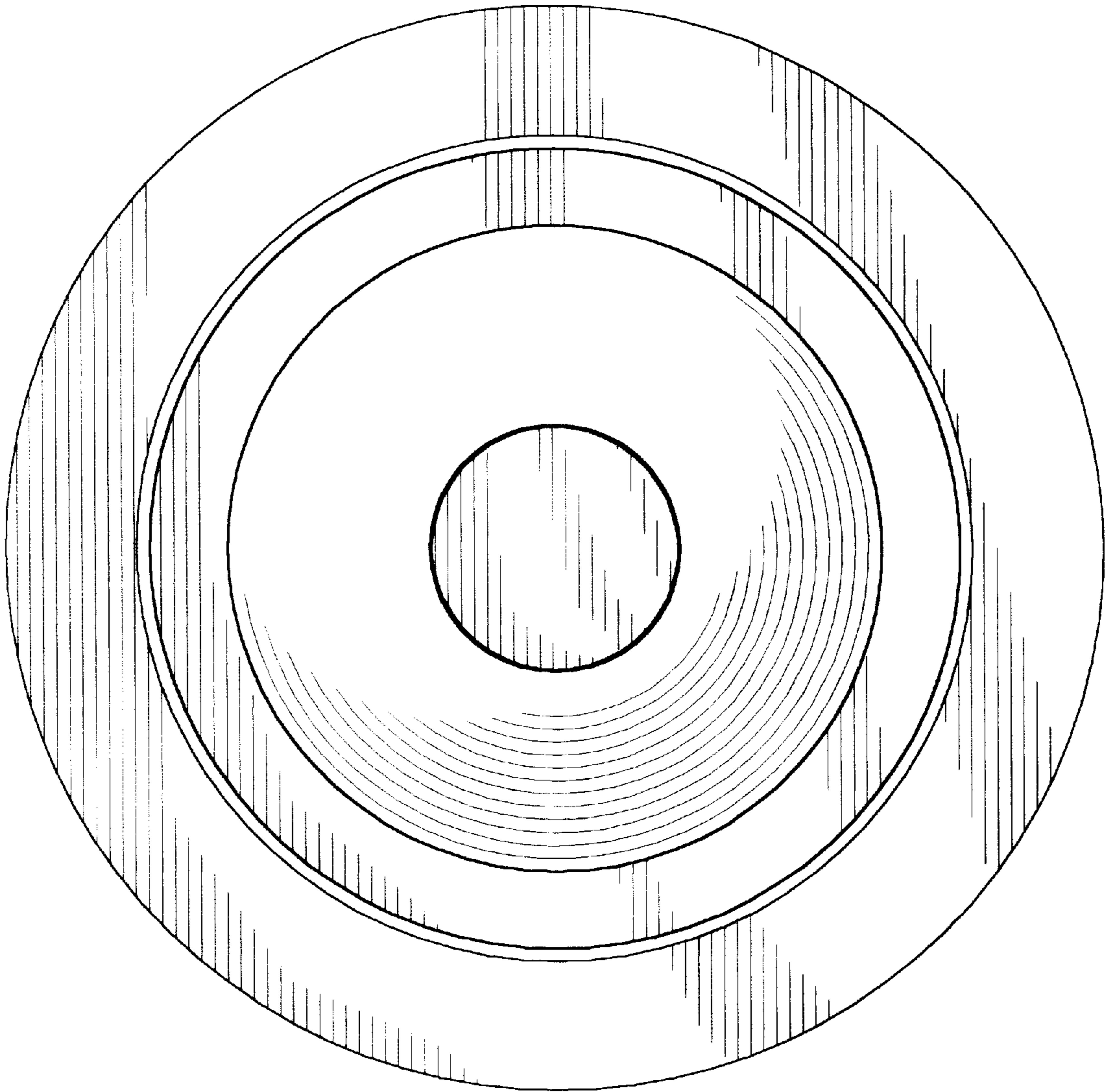


Figure 3

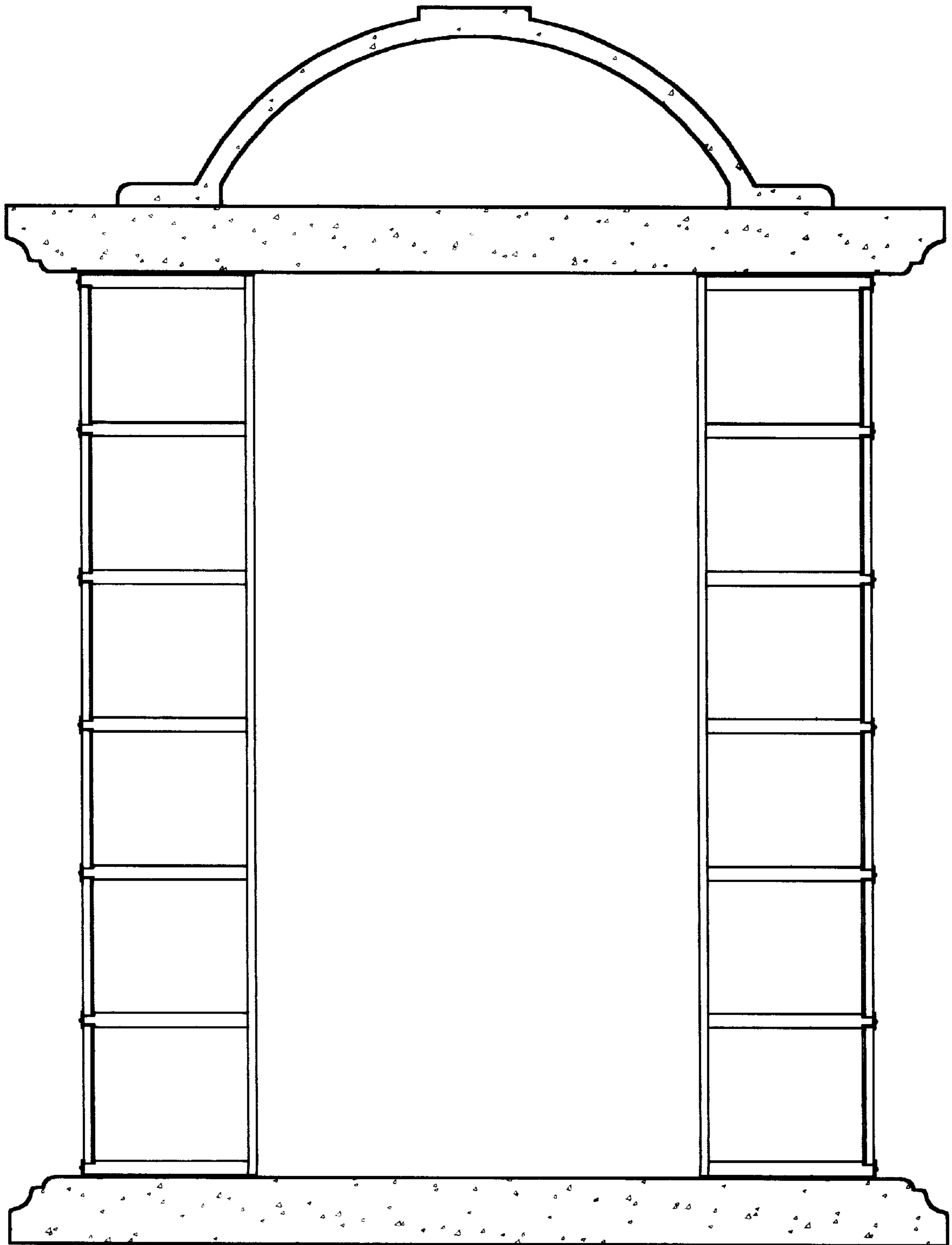


Figure 4

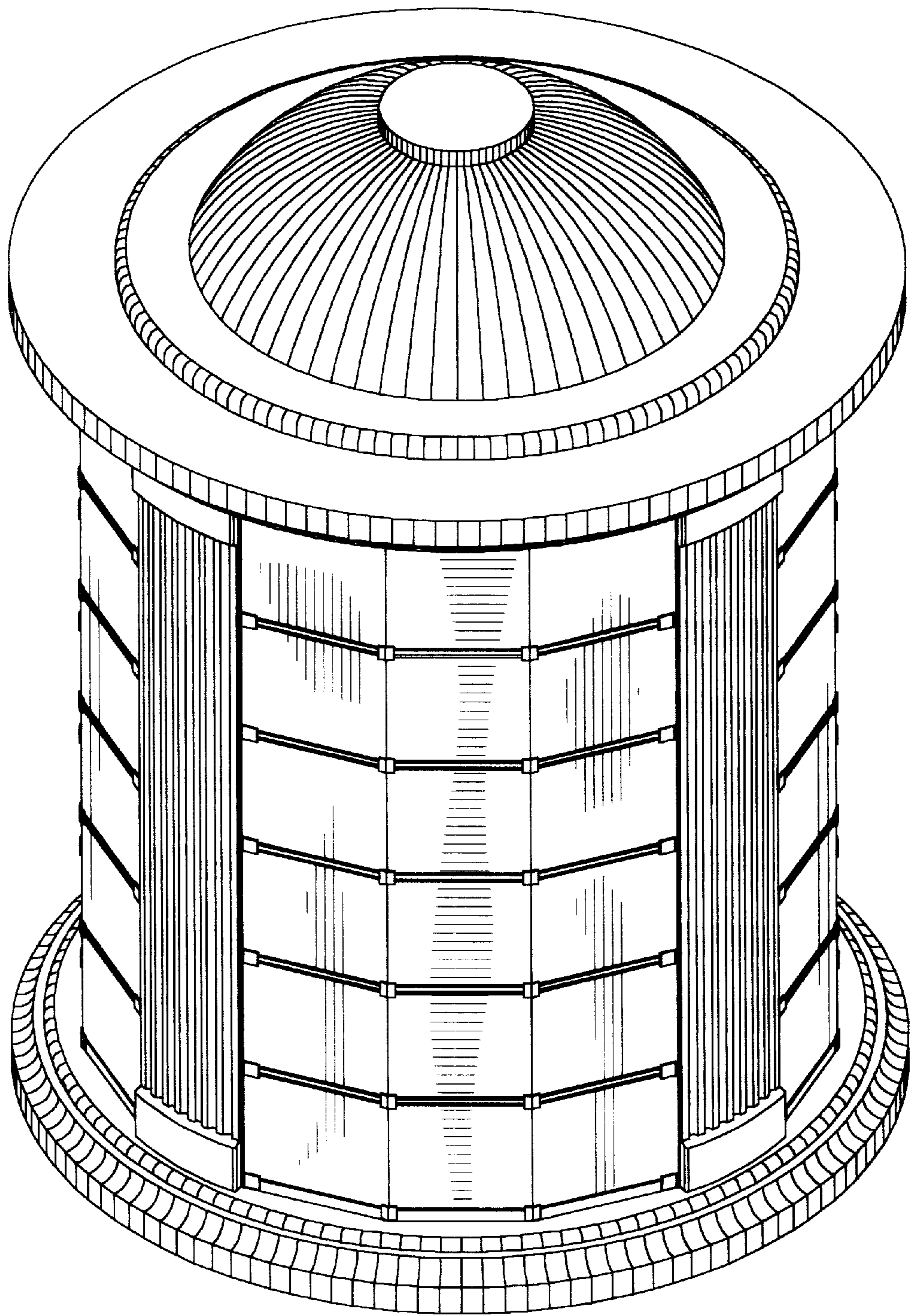


Figure 5

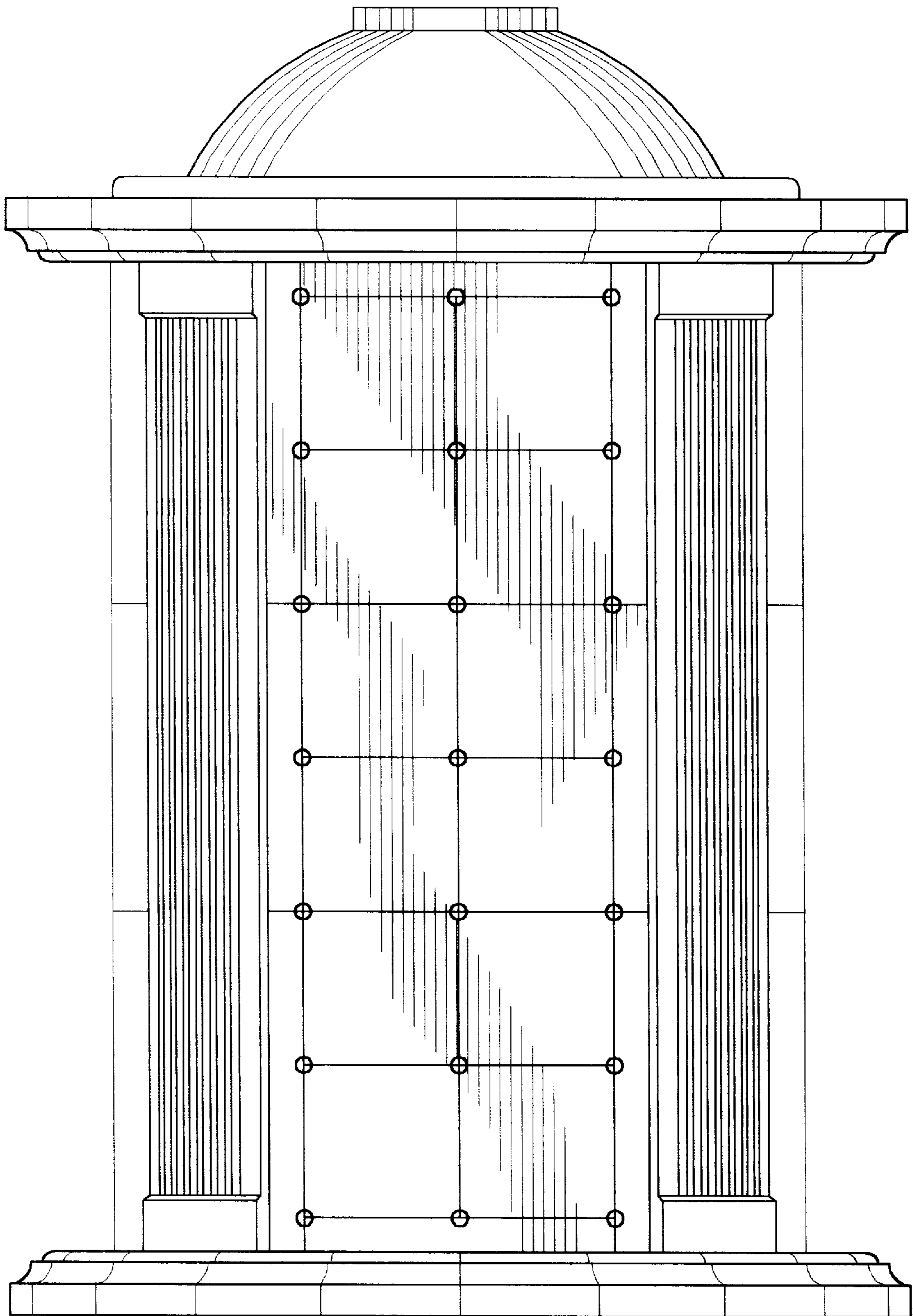


Figure 6

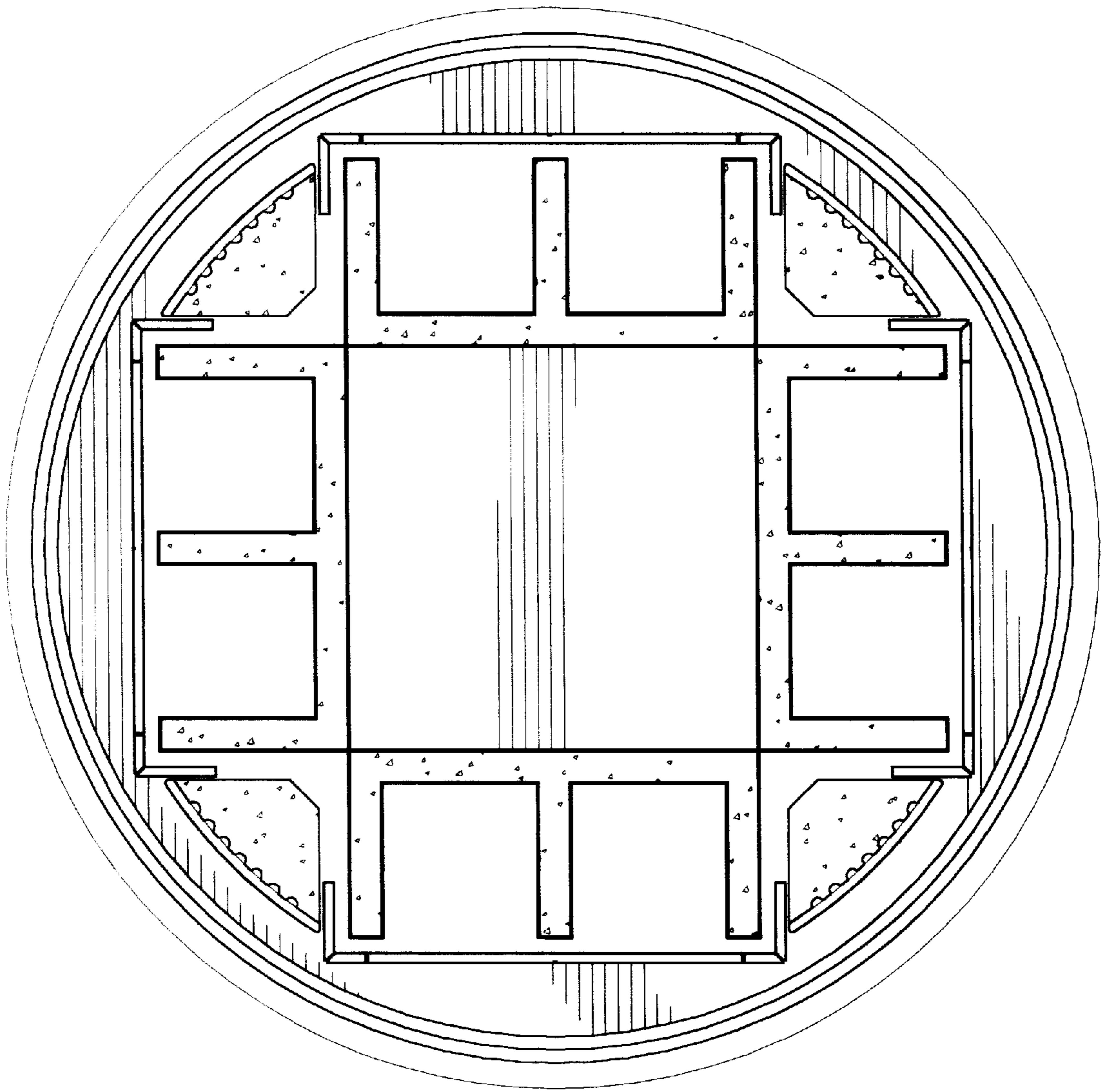


Figure 7

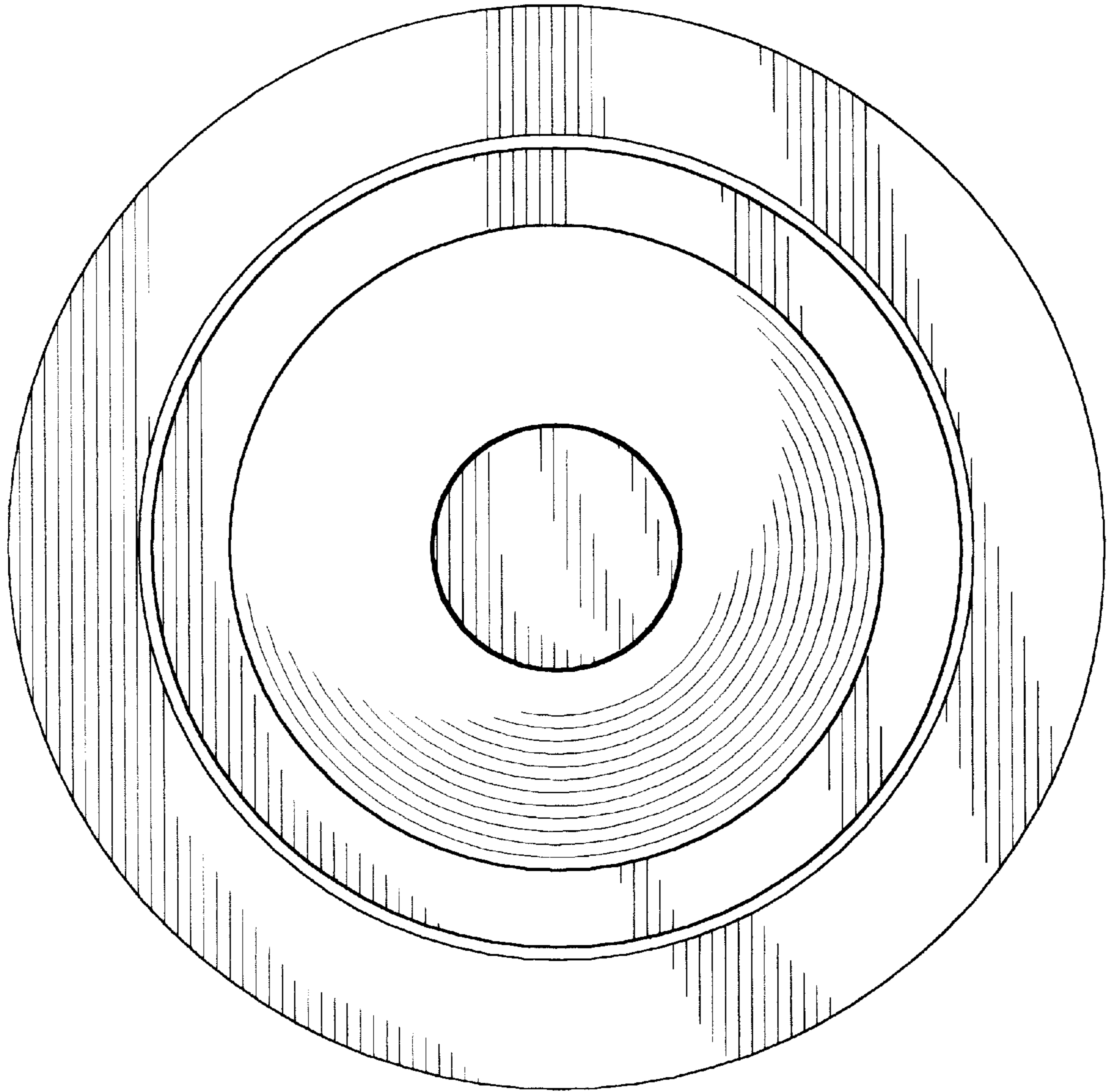


Figure 8

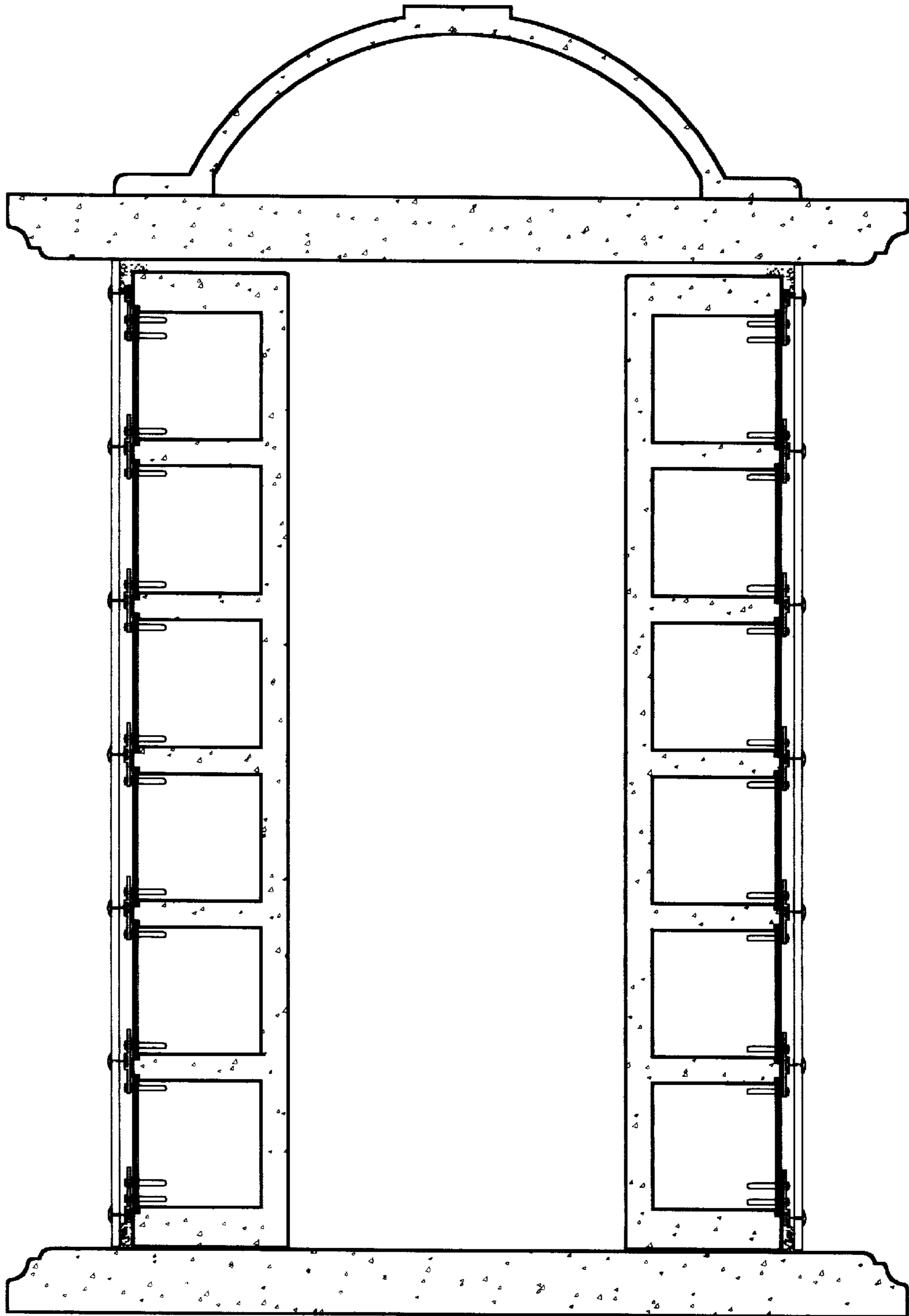


Figure 9

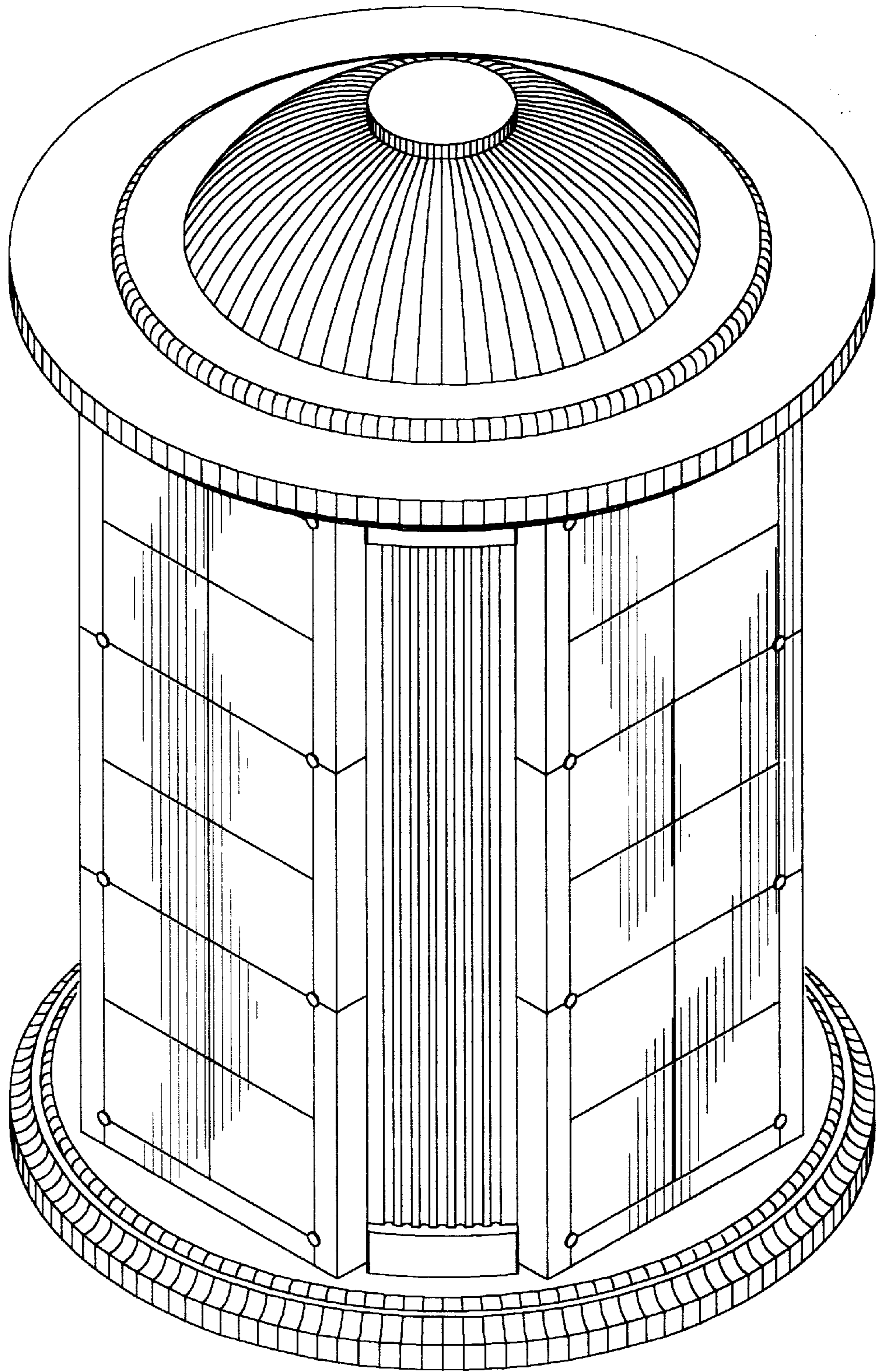


Figure 10