



US00D451257B2

(12) **United States Design Patent**  
**Moritsch**

(10) **Patent No.:** **US D451,257 S**

(45) **Date of Patent:** **\*\* Nov. 27, 2001**

(54) **BENT FRAME**

(75) Inventor: **Erich Moritsch**, Plochingen (DE)

(73) Assignee: **Alfred Kaercher GmbH & Co.**,  
Winnenden (DE)

(\*\*) Term: **14 Years**

(21) Appl. No.: **29/133,036**

(22) Filed: **Nov. 17, 2000**

(30) **Foreign Application Priority Data**

Jun. 20, 2000 (XH) ..... DM/052 733

(51) **LOC (7) Cl.** ..... **12-02**

(52) **U.S. Cl.** ..... **D34/24; D34/20**

(58) **Field of Search** ..... D34/12-27; 280/33.991,  
280/33.993, 33.996, DIG. 4, 79.11, 47.17,  
47.19, 47.24

(56) **References Cited**

**U.S. PATENT DOCUMENTS**

D. 200,401 \* 2/1965 Olson ..... D34/18

D. 363,589 \* 10/1995 Lafleur et al. .... D34/21

\* cited by examiner

*Primary Examiner*—Kay H. Chin

(74) *Attorney, Agent, or Firm*—Barry R. Lipsitz

(57) **CLAIM**

The ornamental design for a bent frame, as shown and described.

**DESCRIPTION**

FIG. 1 is a front and left side perspective view showing the design;

FIG. 2 is a left side elevational view thereof, the broken lines depicting an example pressure washer are no part of the claimed design;

FIG. 3 is a top plan view of the design;

FIG. 4 is a front elevational view of the design;

FIG. 5 is a right side view of the design;

FIG. 6 is a rear elevational view of the design; and,

FIG. 7 is a bottom plan view of the design.

**1 Claim, 7 Drawing Sheets**

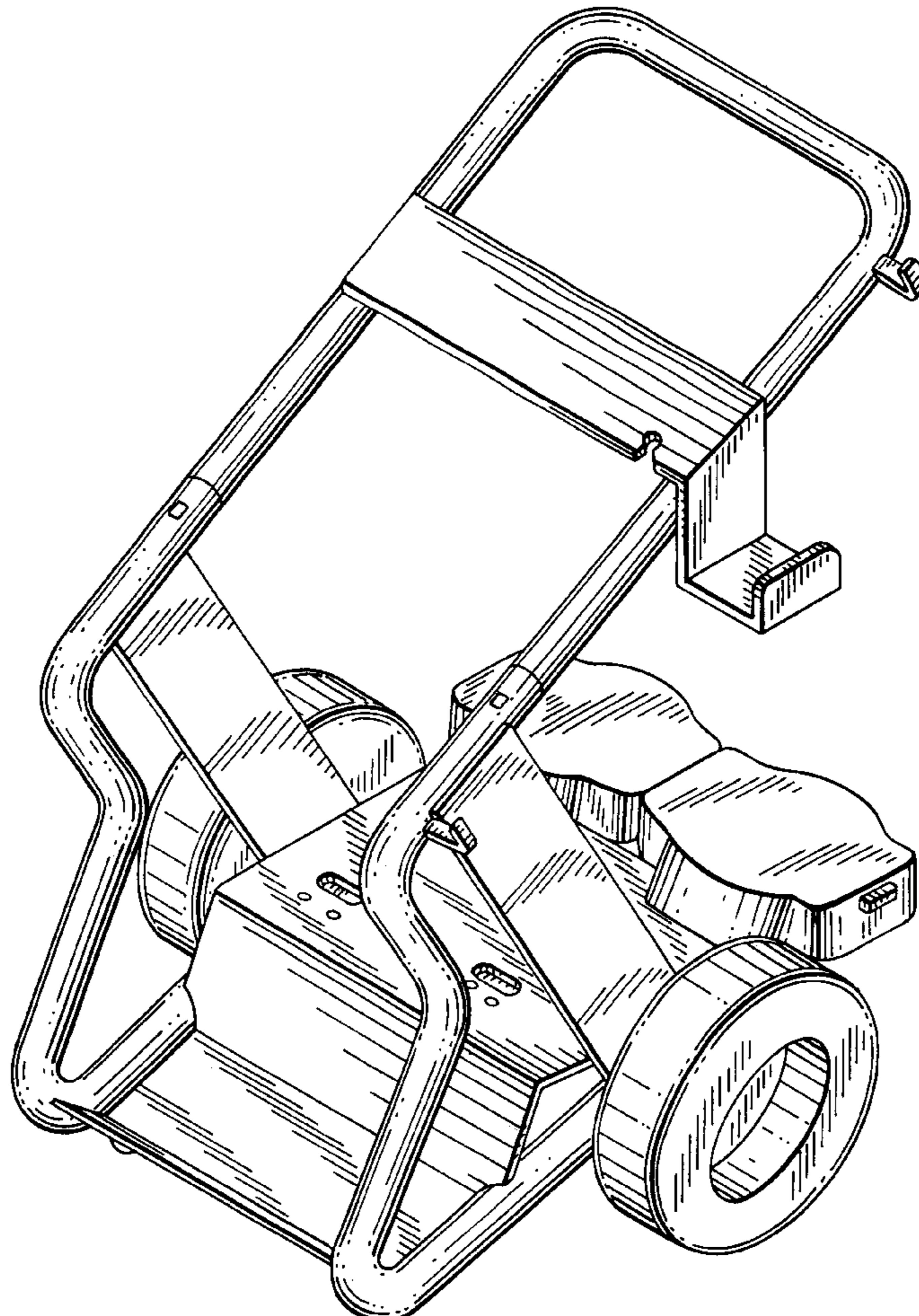


FIG. 1

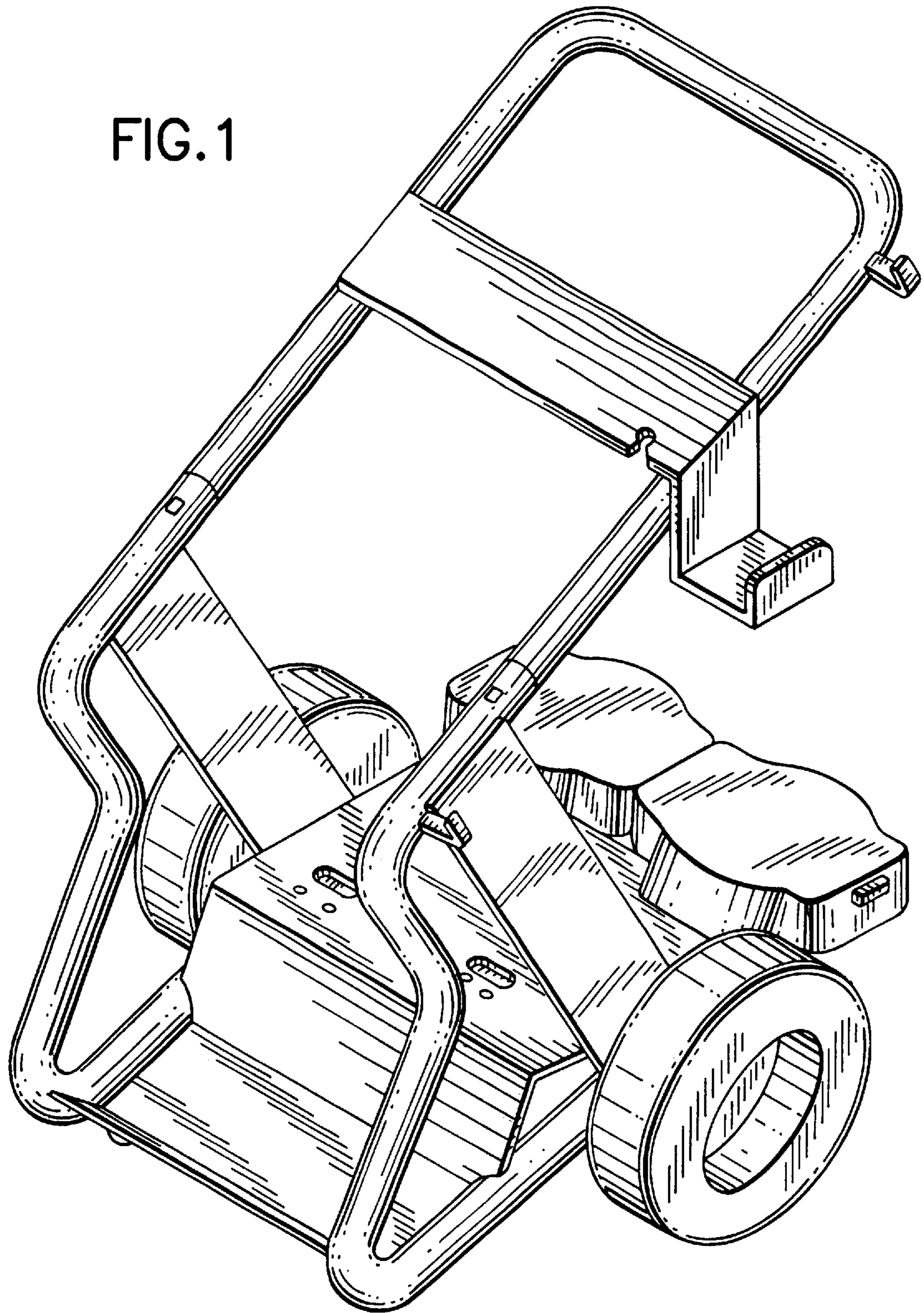
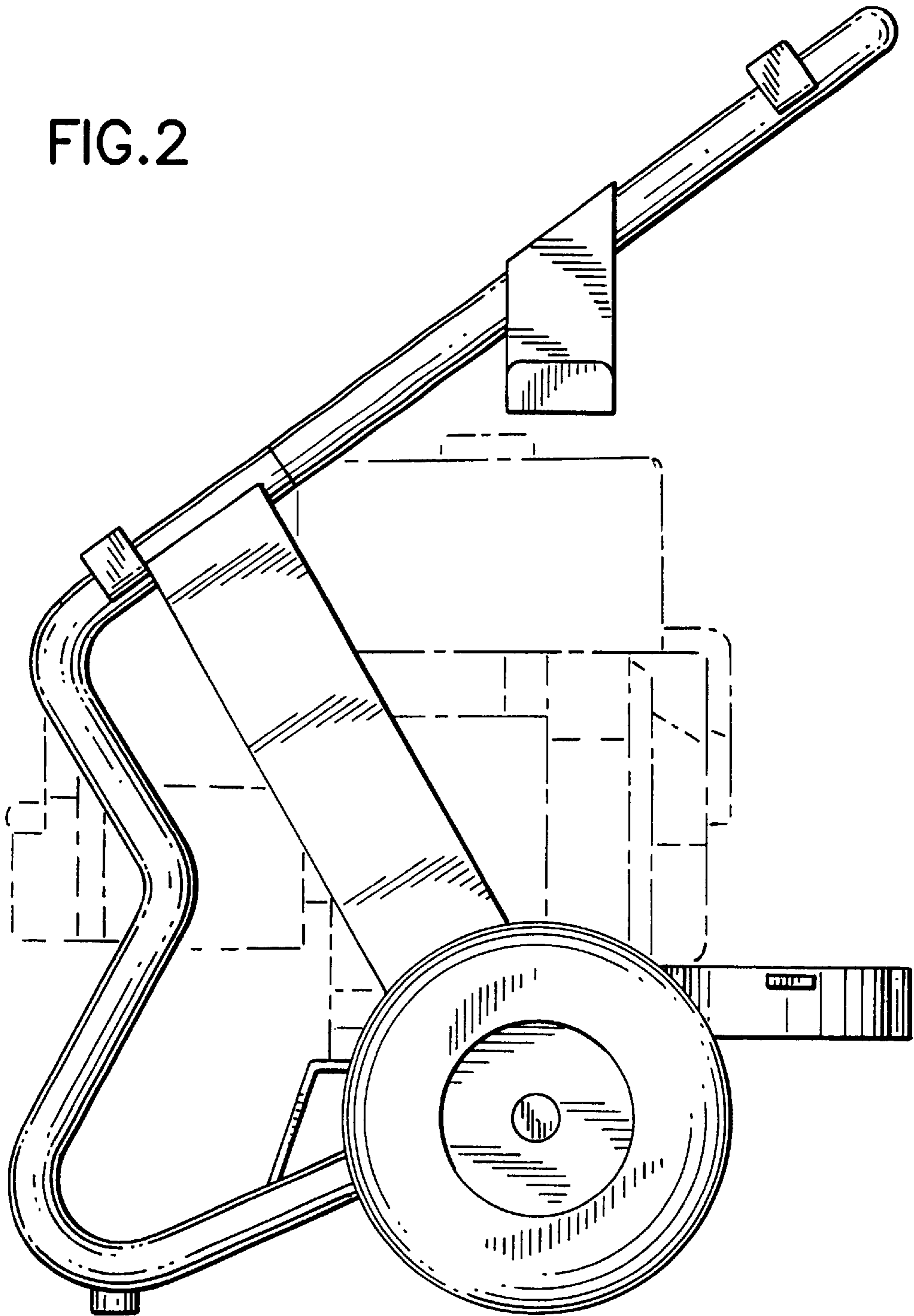




FIG. 2



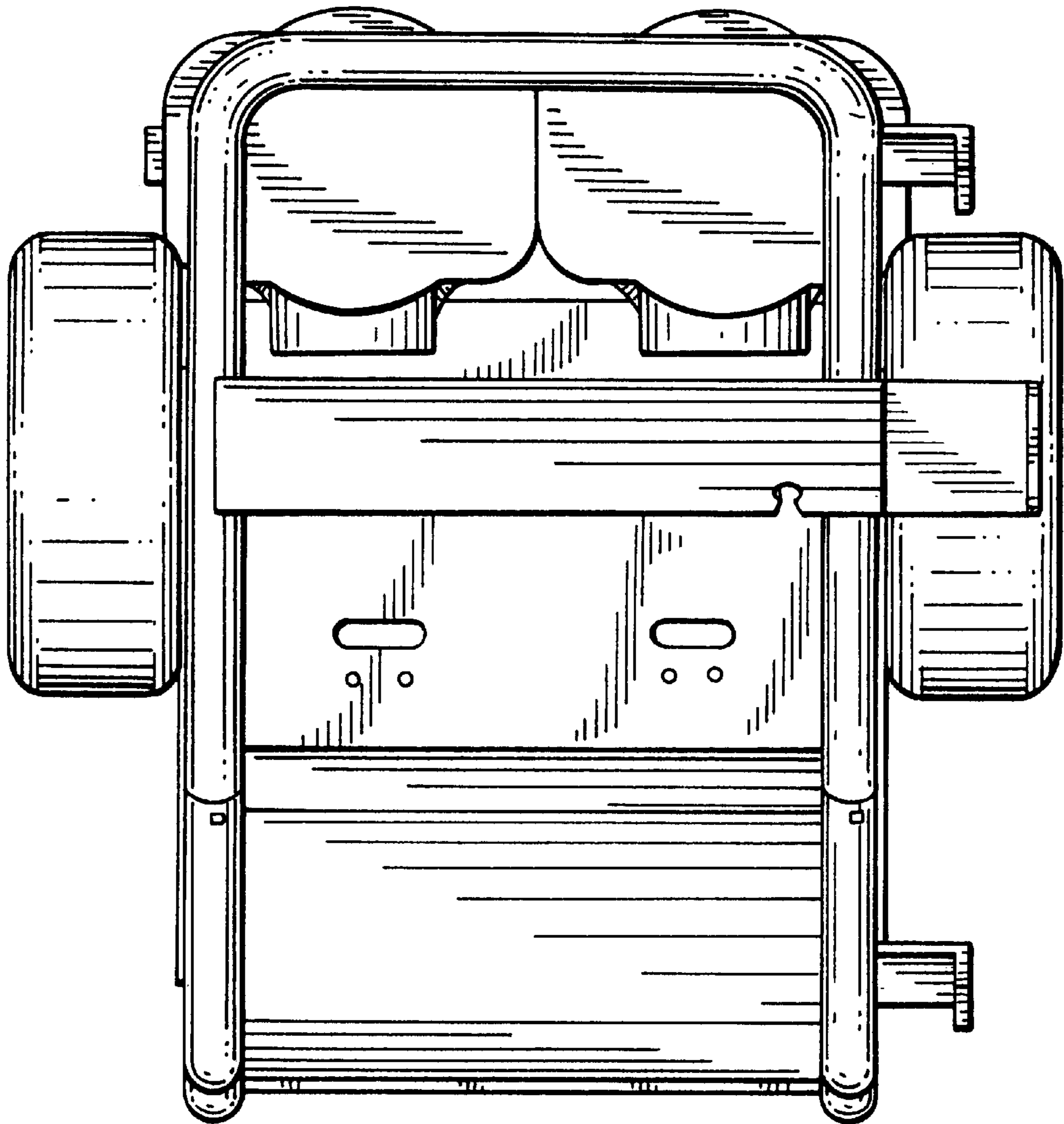


FIG.3

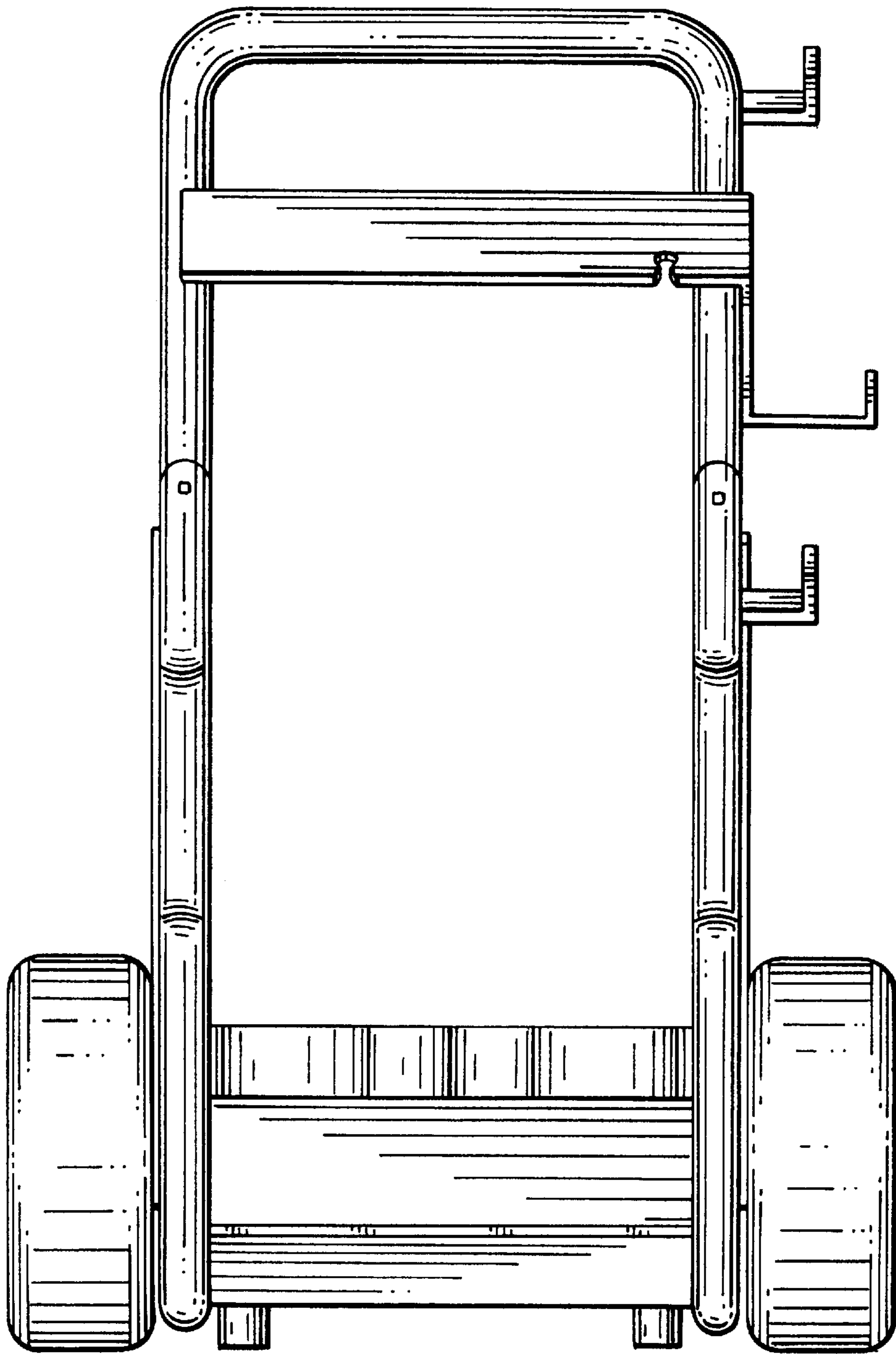


FIG.4

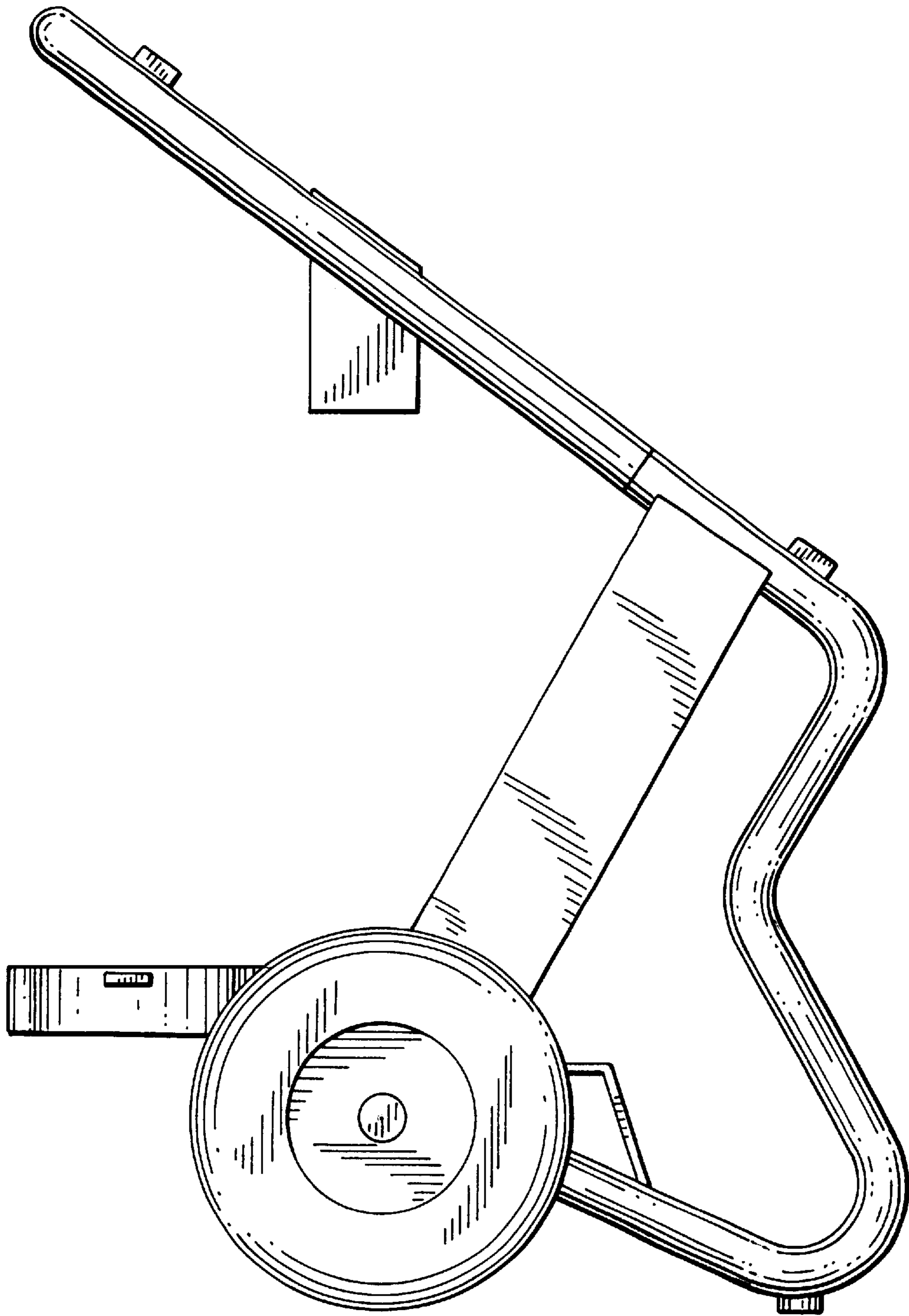


FIG.5

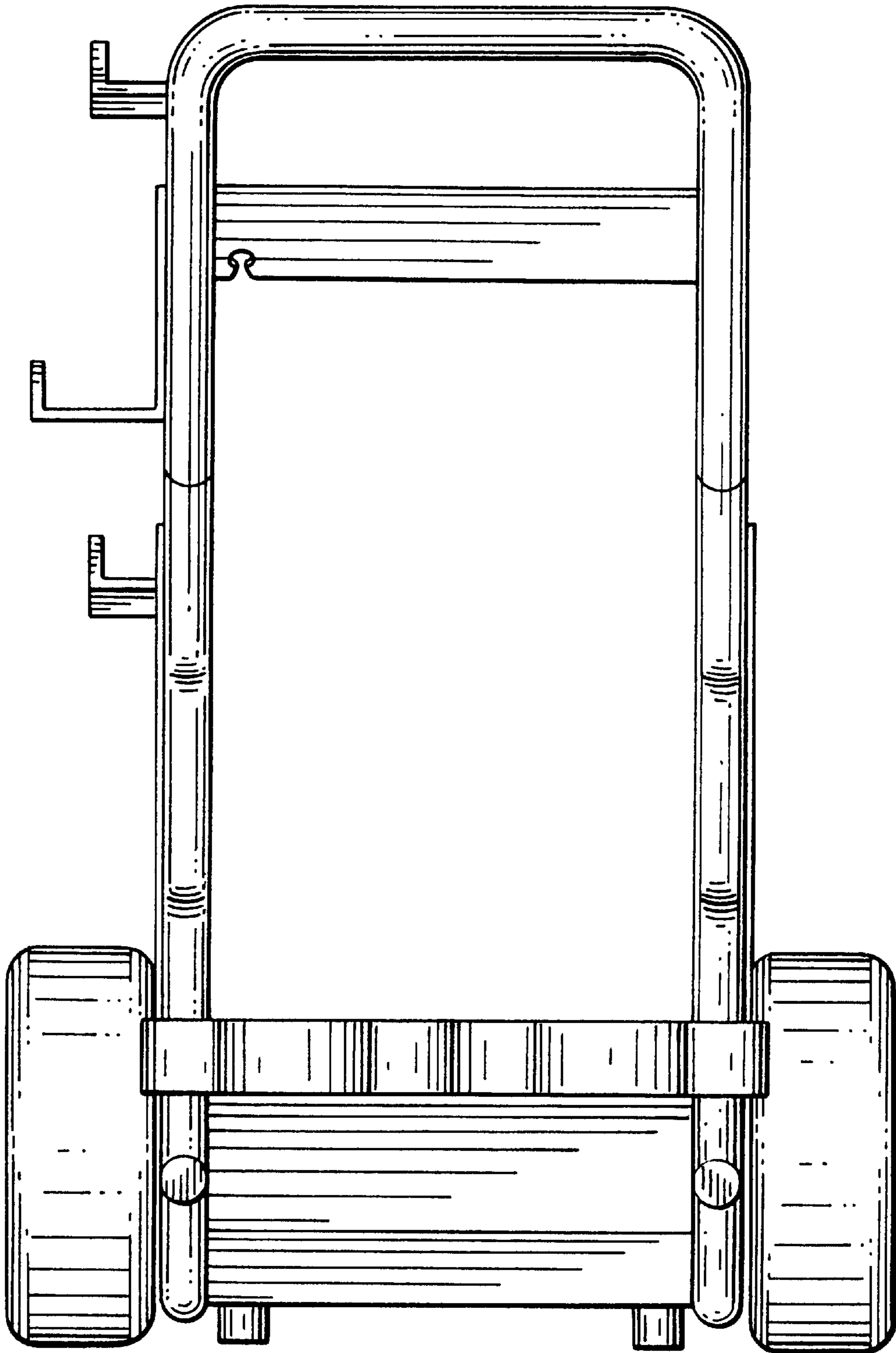


FIG.6

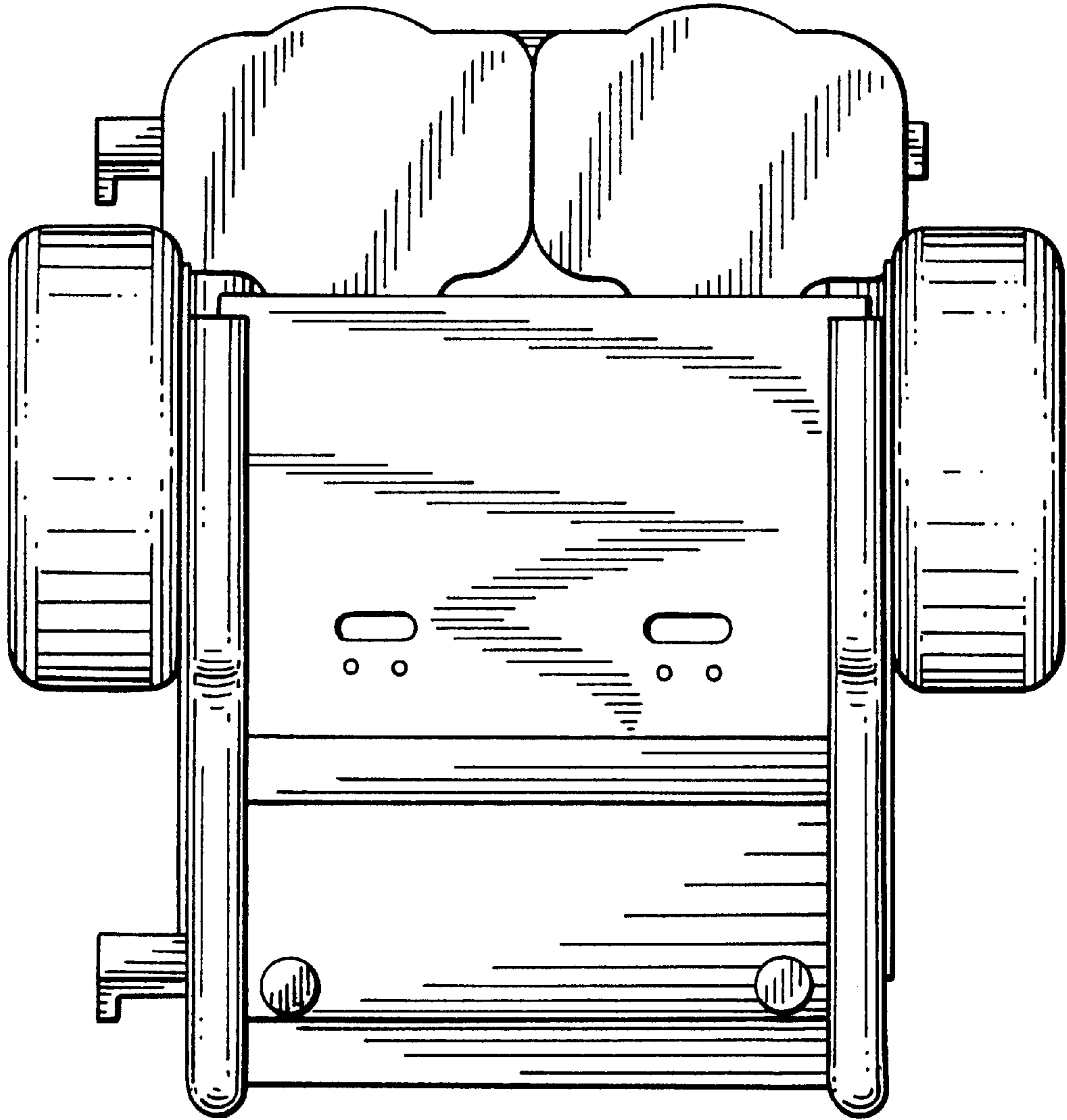


FIG.7