



US00D451256B1

(12) **United States Design Patent**  
**Armano, Sr.**

(10) **Patent No.:** **US D451,256 S**

(45) **Date of Patent:** **\*\* Nov. 27, 2001**

(54) **SOLAR POWERED GOLF CADDY**

5,482,304 \* 1/1996 Smith ..... 280/204

(76) Inventor: **Frank Armano, Sr.**, 6922 Picante Cir., Ft. Pierce, FL (US) 34951

\* cited by examiner

*Primary Examiner*—Kay H. Chin

(74) *Attorney, Agent, or Firm*—Kevin Redmond

(\*\*) Term: **14 Years**

(57) **CLAIM**

(21) Appl. No.: **29/111,499**

The ornamental design for a solar powered golf caddy, as shown and described.

(22) Filed: **Sep. 30, 1999**

**DESCRIPTION**

(51) **LOC (7) Cl.** ..... **12-02**

FIG. 1 is a front elevational view of a solar powered golf caddy showing my new design;

(52) **U.S. Cl.** ..... **D34/15; D34/12**

FIG. 2 is a rear elevational view thereof;

(58) **Field of Search** ..... D34/12-27; 280/DIG. 6, 280/43.23, 47.27, 47.17, 47.21, 43.12, 47.19

FIG. 3 is a side elevational view thereof, the broken lines are for illustrative purposes only and form no part of the claimed design;

(56) **References Cited**

FIG. 4 is a side elevational view thereof showing the golf caddy in a solar charging position;

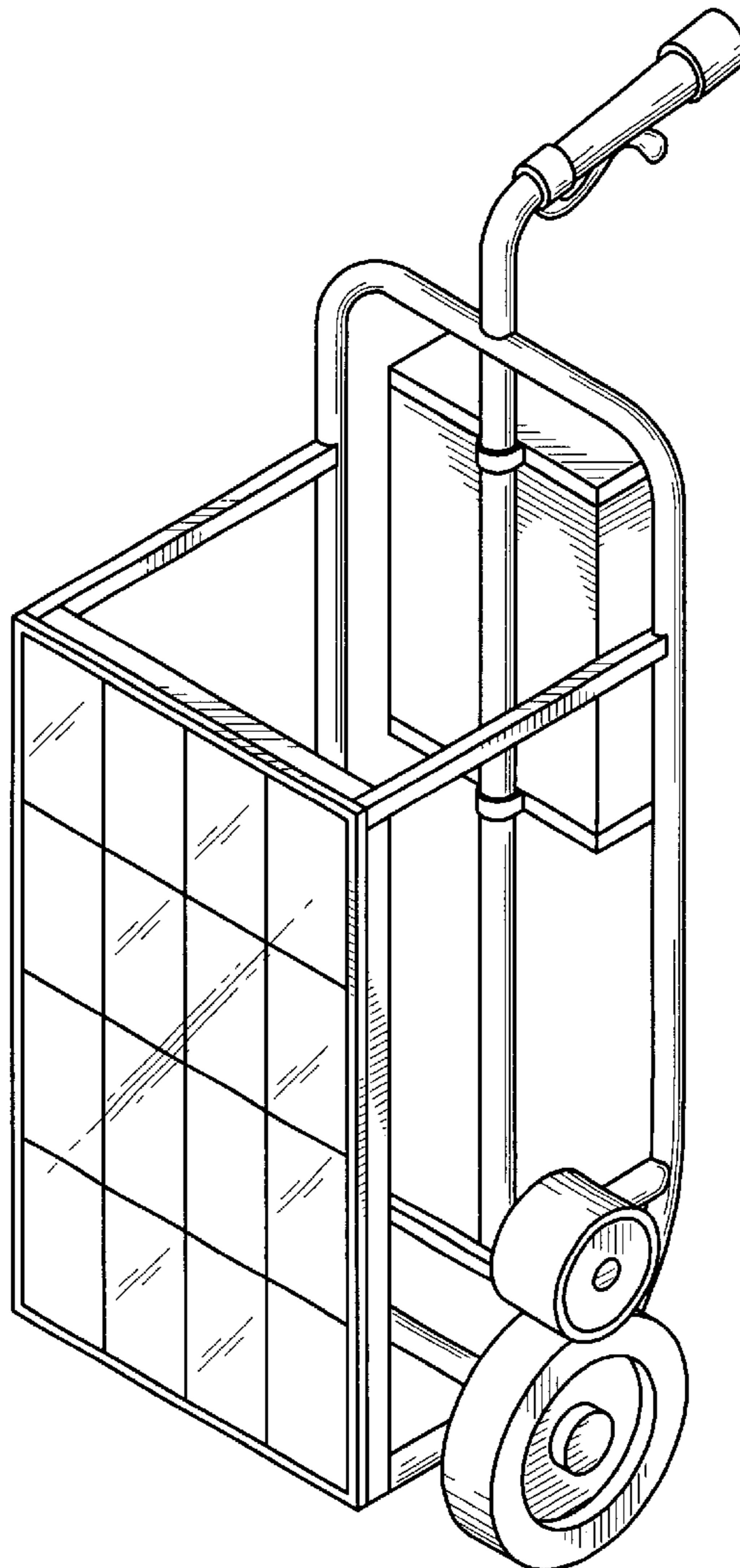
**U.S. PATENT DOCUMENTS**

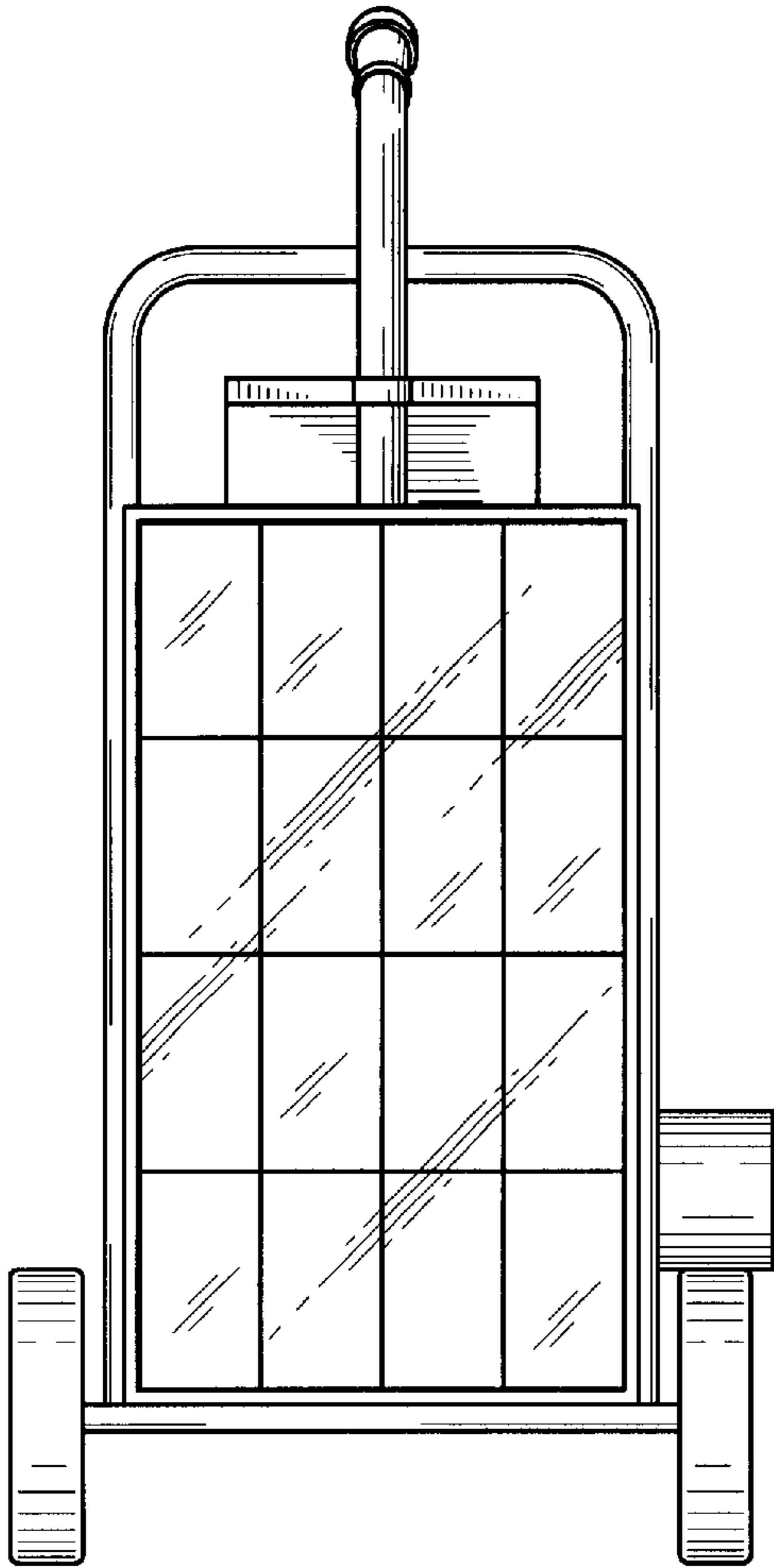
- D. 420,481 \* 2/2000 Yates ..... D34/24
- 4,961,593 \* 10/1990 Sanders et al. .... 280/646
- 5,340,135 \* 8/1994 Womberly ..... 280/47.19

FIG. 5 is a top and front perspective view thereof; and,

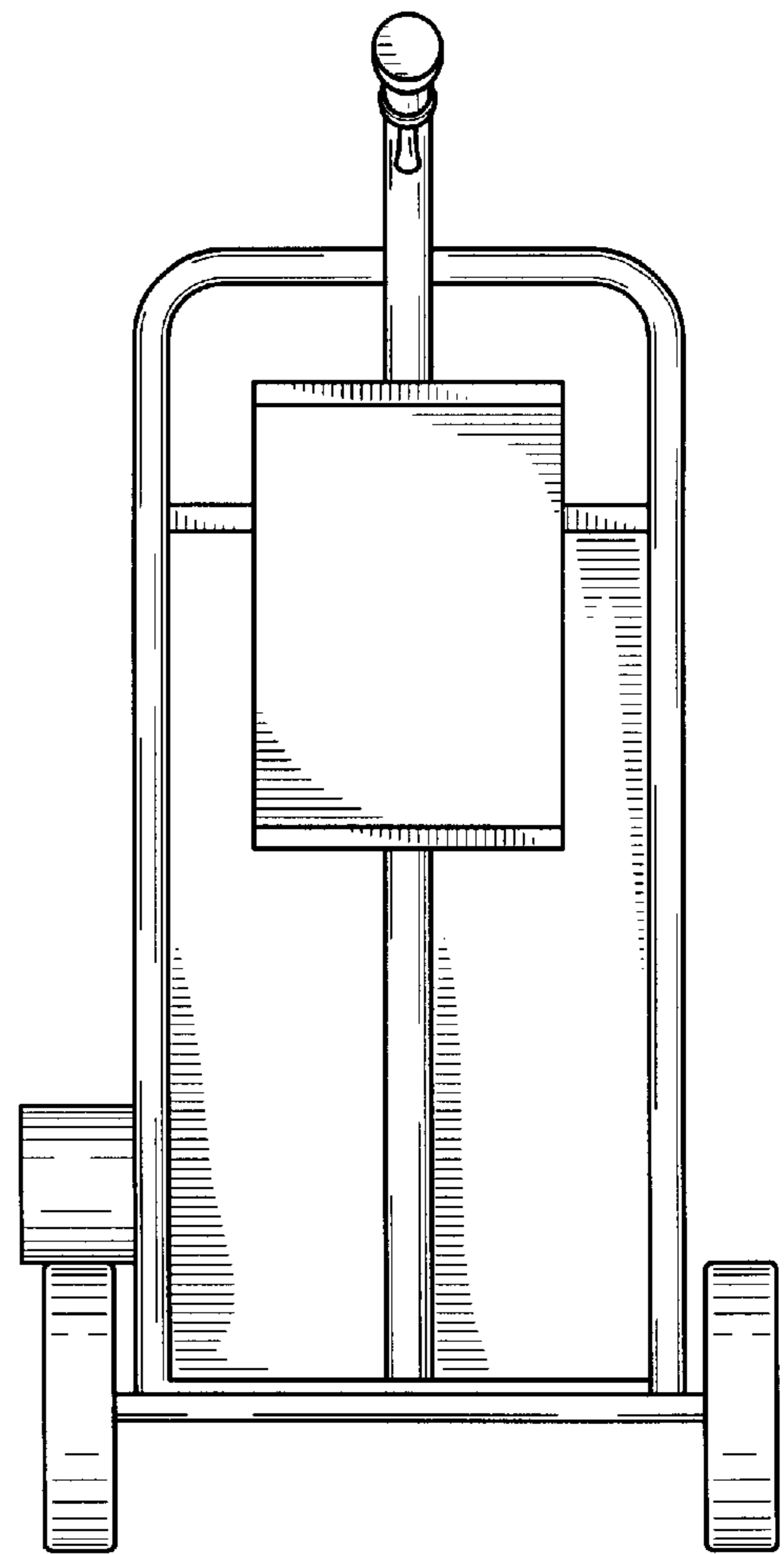
FIG. 6 is a rear perspective view thereof.

**1 Claim, 4 Drawing Sheets**

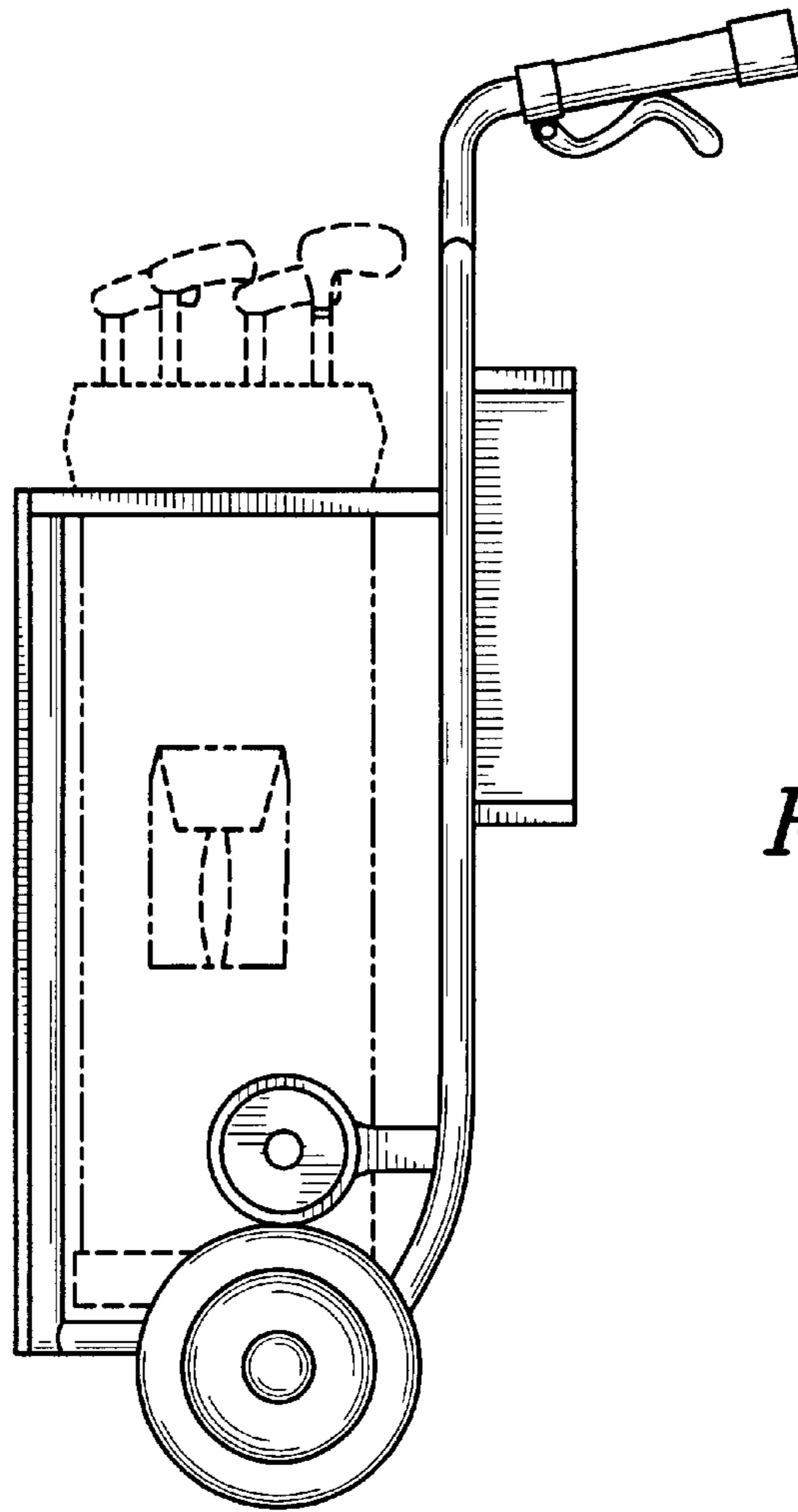




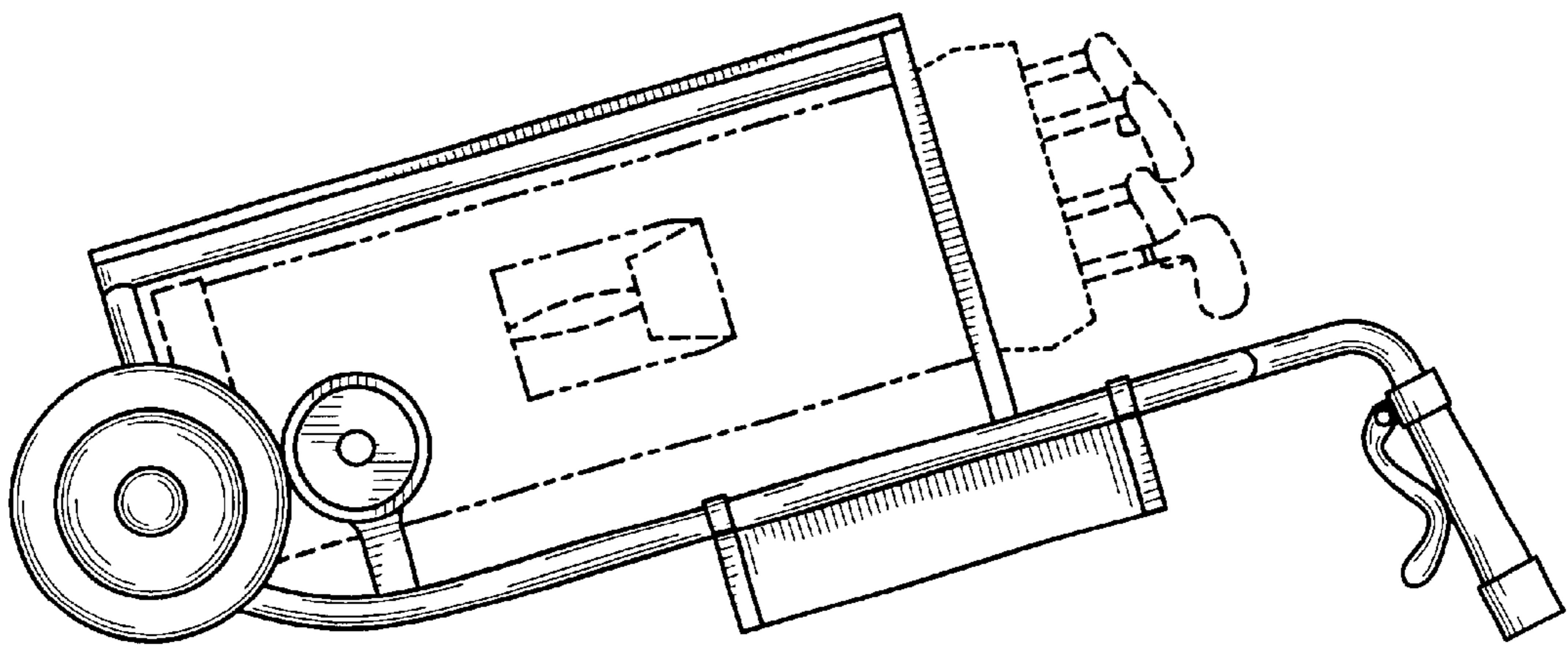
*Fig. 1*



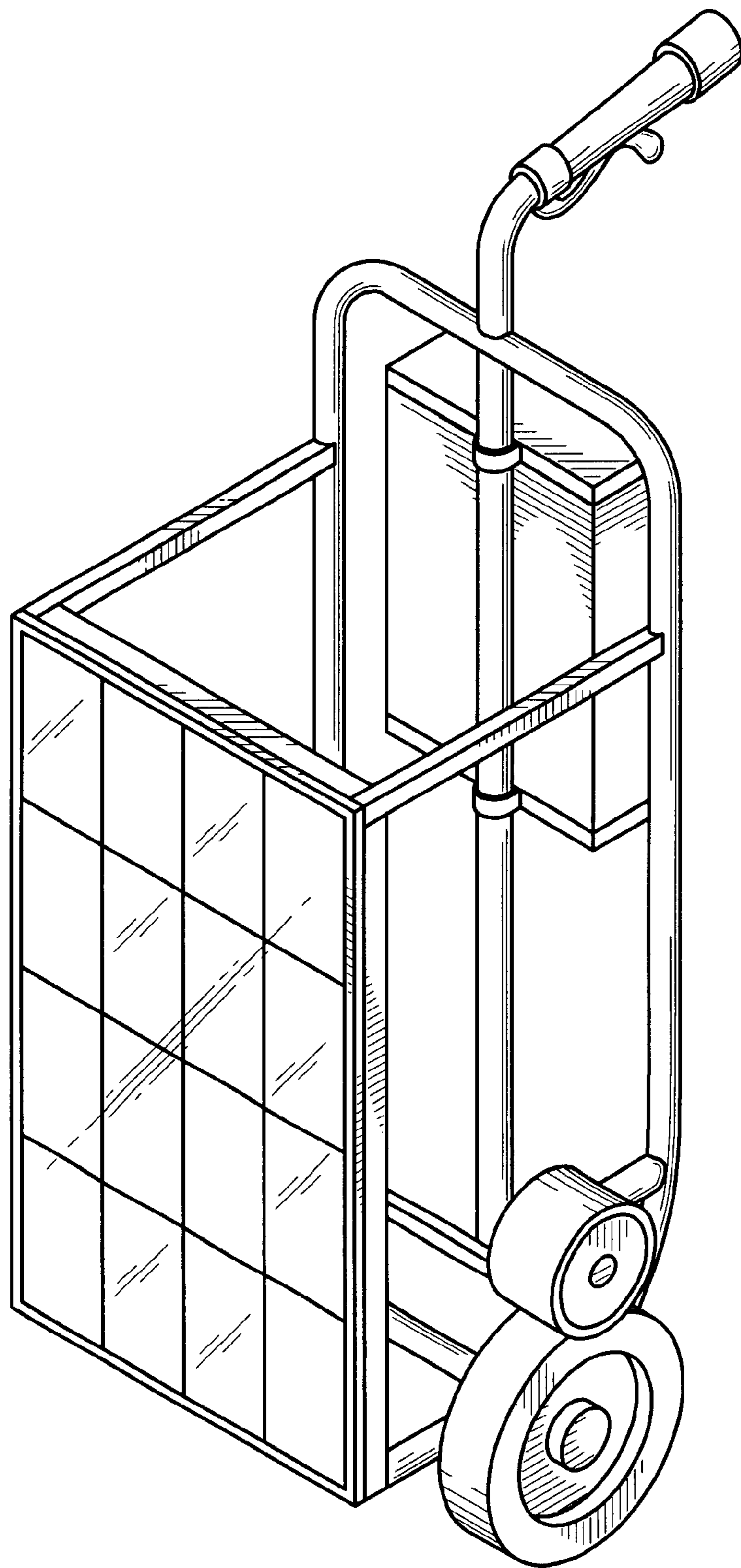
*Fig. 2*



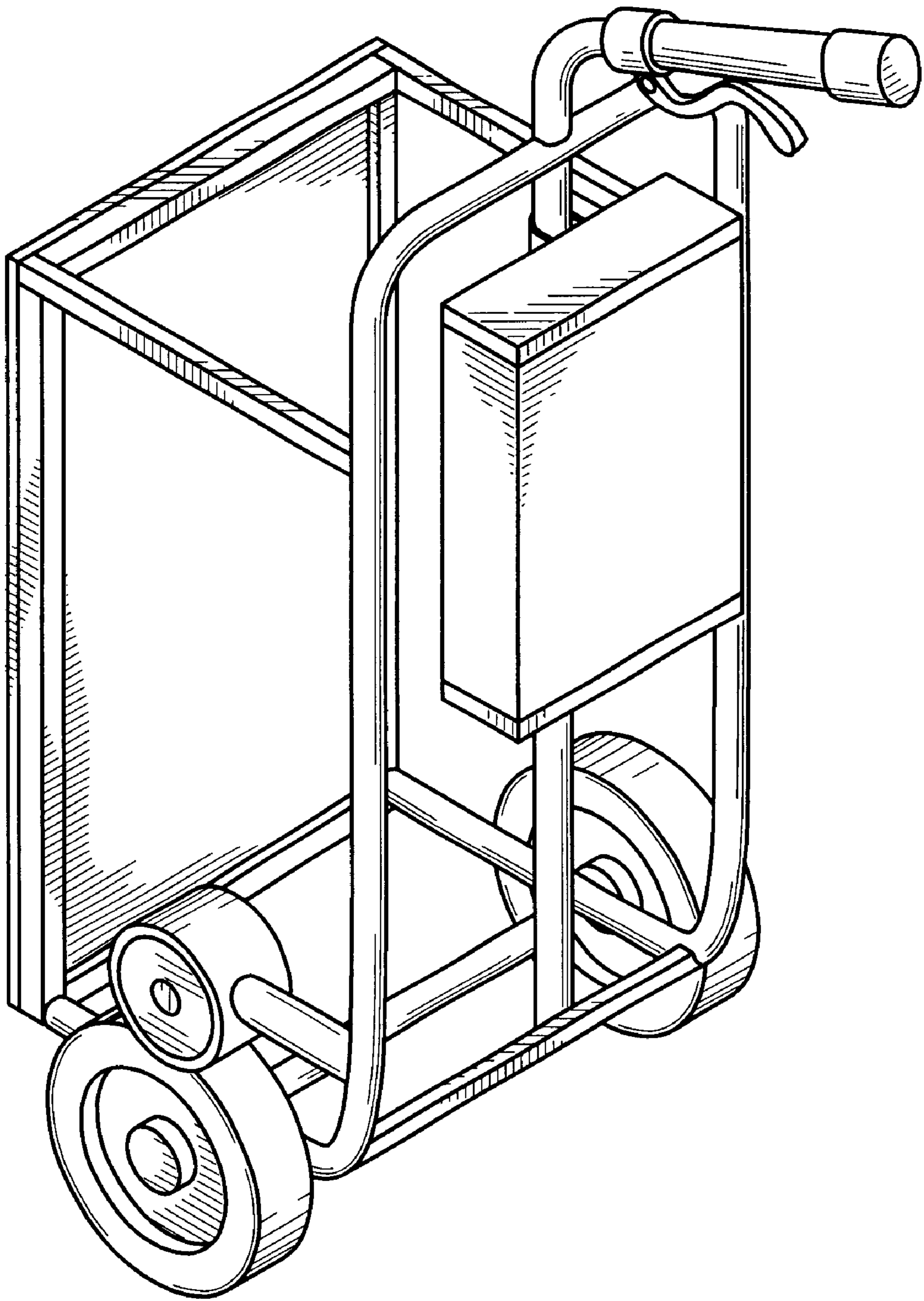
*Fig. 3*



*Fig. 4*



*Fig. 5*



*Fig. 6*