



US00D451254B2

(12) **United States Design Patent**  
**Egan**

(10) **Patent No.:** **US D451,254 S**

(45) **Date of Patent:** **\*\* Nov. 27, 2001**

(54) **IRONING ORGANIZER**

(75) Inventor: **Martin Shawn Egan**, Ballwin, MO  
(US)

(73) Assignee: **Contico International, LLC**, St. Louis,  
MO (US)

(\*\*) Term: **14 Years**

(21) Appl. No.: **29/110,701**

(22) Filed: **Sep. 10, 1999**

(51) **LOC (7) Cl.** ..... **07-05**

(52) **U.S. Cl.** ..... **D32/73**

(58) **Field of Search** ..... D32/73, 66, 68,  
D32/71; 38/75, 103, 104, 142; 248/117.1,  
117.2, 117.4, 107, 112, 117.5, 117.6, 117.7

(56) **References Cited**

**U.S. PATENT DOCUMENTS**

D. 35,041	9/1901	Kennedy .	
D. 126,441	4/1941	Slawski .	
D. 127,277	5/1941	Noack .	
D. 153,993	* 5/1949	Stanley .....	D32/73
D. 353,247	* 12/1994	Penny .....	D32/73
D. 386,864	* 11/1997	Ratliff et al. ....	D32/73
2,227,916	* 1/1941	Steele .....	248/117.1
2,285,747	* 6/1942	Smith .....	248/117.1
2,299,594	* 10/1942	Robinson .....	248/117.4
2,473,731	* 6/1949	Shepard, Sr. ....	248/117.4
2,486,448	* 11/1949	Traxler .....	248/117.4
2,514,400	* 7/1950	Larkins .....	248/117.2
2,528,846	* 11/1950	Sitnick et al. ....	248/117.1
2,568,211	9/1951	Woelke .	
2,639,879	5/1953	Michel .	
2,829,855	4/1958	Gibson .	
3,477,672	* 11/1969	Agrusa .....	248/117.1
3,965,588	6/1976	Long .	
3,967,802	* 7/1976	Lomagno .....	248/117.4

3,986,615	10/1976	Robertson .
4,834,332	5/1989	Vanderbilt .
4,893,770	1/1990	Bejak et al. .
5,180,067	1/1993	Conaway et al. .
5,570,642	11/1996	Lehrman .
5,743,417	4/1998	Mathis .
5,810,304	9/1998	Lehrman .

**OTHER PUBLICATIONS**

Photographs A1-A2: Rubbermaid molded article.  
Photographs B1-B3: Grayline Iron & Ironing Board Kaddy  
#440.

Photographs C1-C3: Accessory basket.

\* cited by examiner

*Primary Examiner*—Cynthia E. Ramirez

(74) *Attorney, Agent, or Firm*—Howell & Haferkamp, LC

(57) **CLAIM**

The ornamental design for an ironing organizer, as shown  
and described.

**DESCRIPTION**

FIG. 1 is a perspective view of an ironing organizer showing  
my new design;

FIG. 2 is a front elevational view of the ironing organizer of  
FIG. 1;

FIG. 3 is a left side elevational view of the ironing organizer  
of FIG. 1;

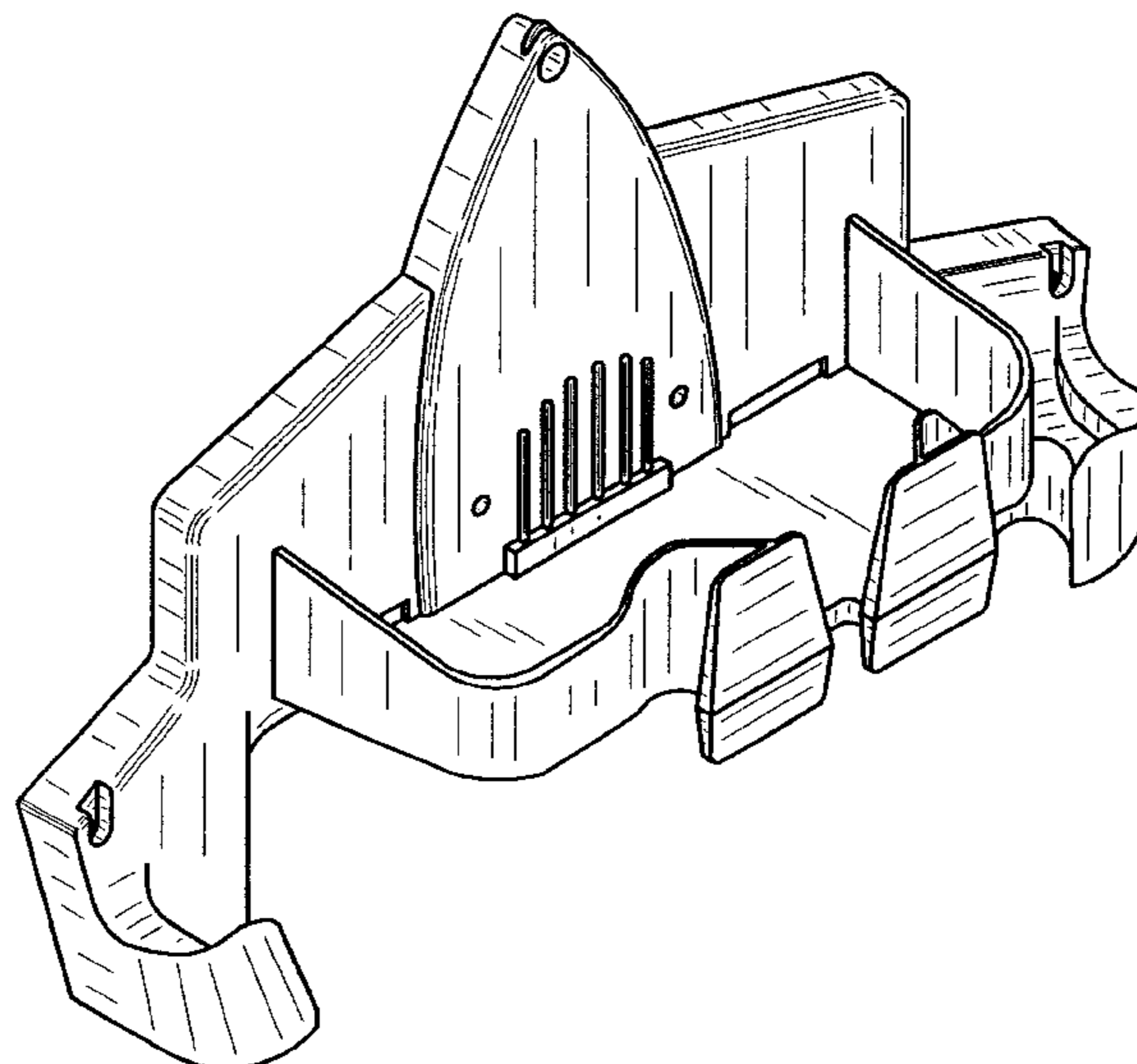
FIG. 4 is a right side elevational view of the ironing  
organizer of FIG. 1;

FIG. 5 is a top plan view of the ironing organizer of FIG. 1;  
and,

FIG. 6 is a bottom plan view of the ironing organizer of FIG.  
1.

The rear elevational view forms no part of the claimed  
design.

**1 Claim, 2 Drawing Sheets**



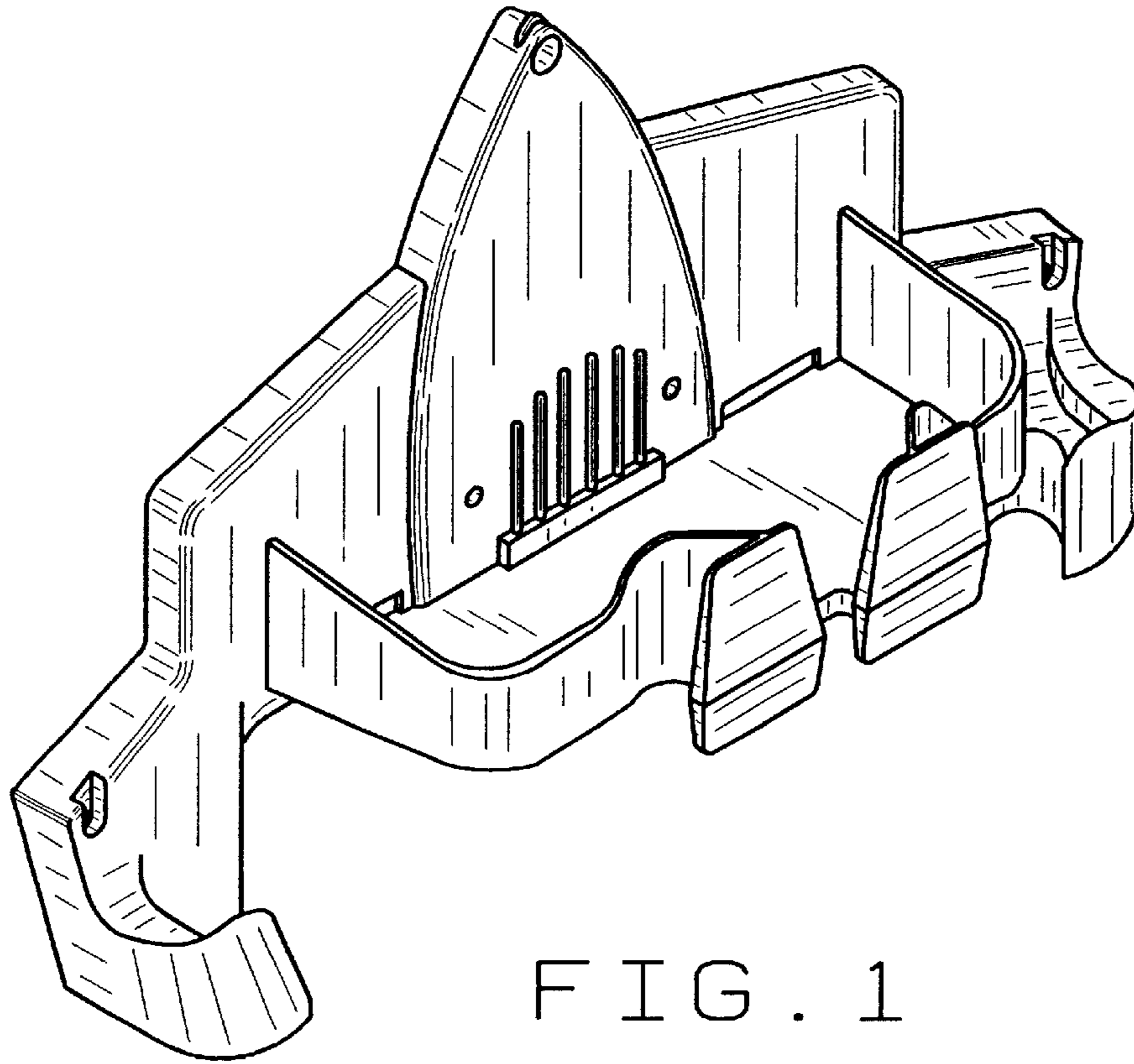


FIG. 1

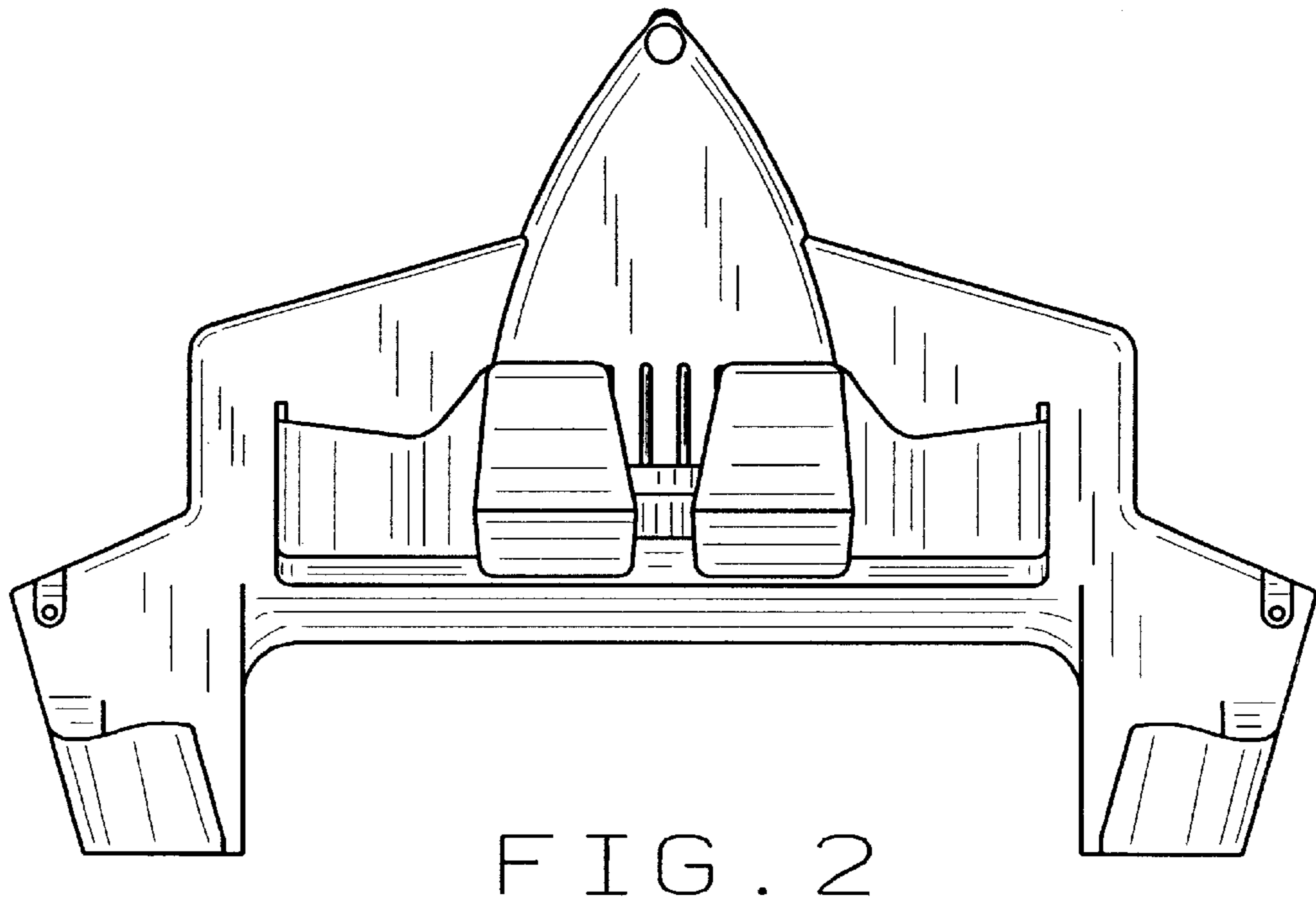


FIG. 2

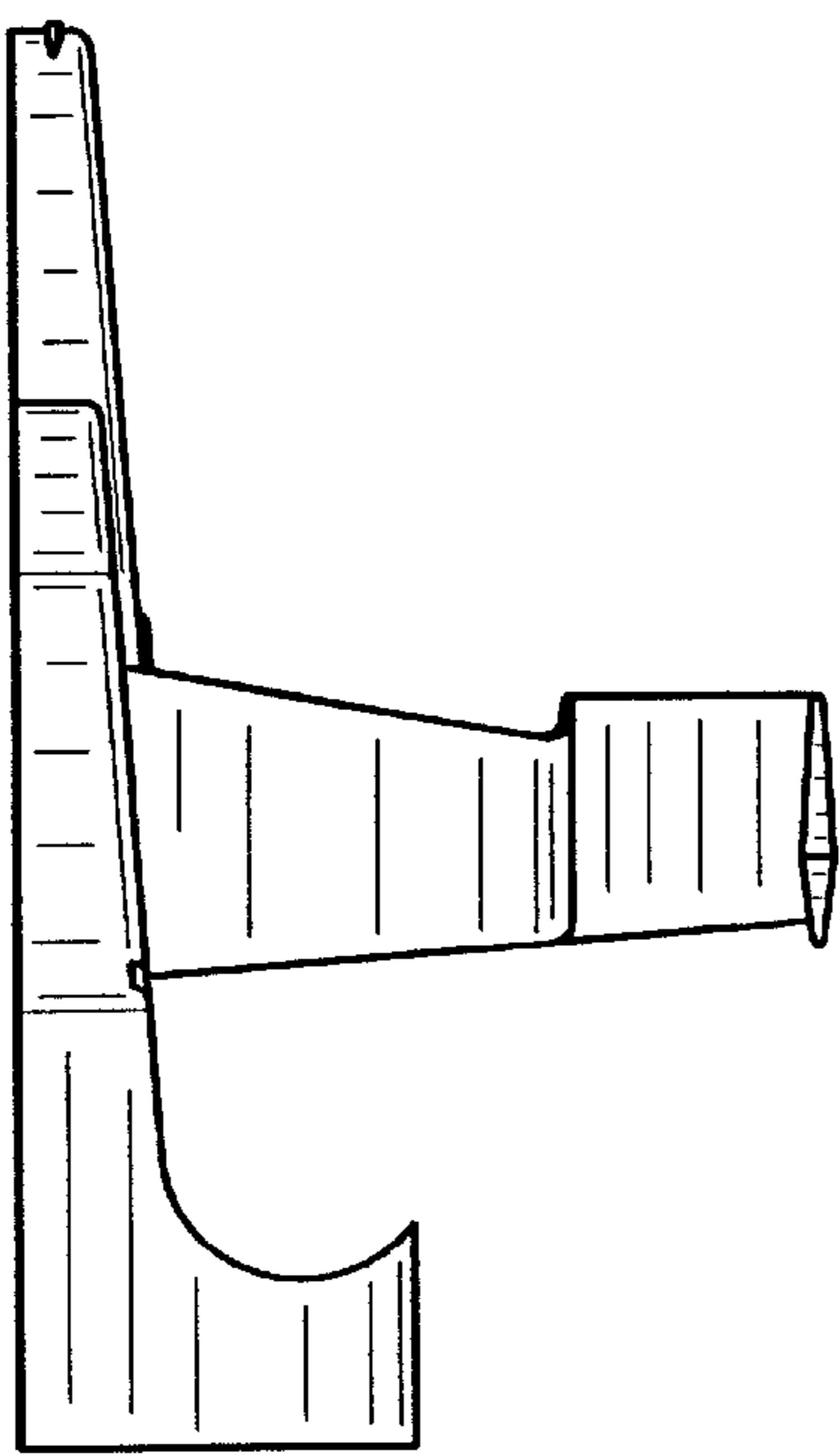


FIG. 3

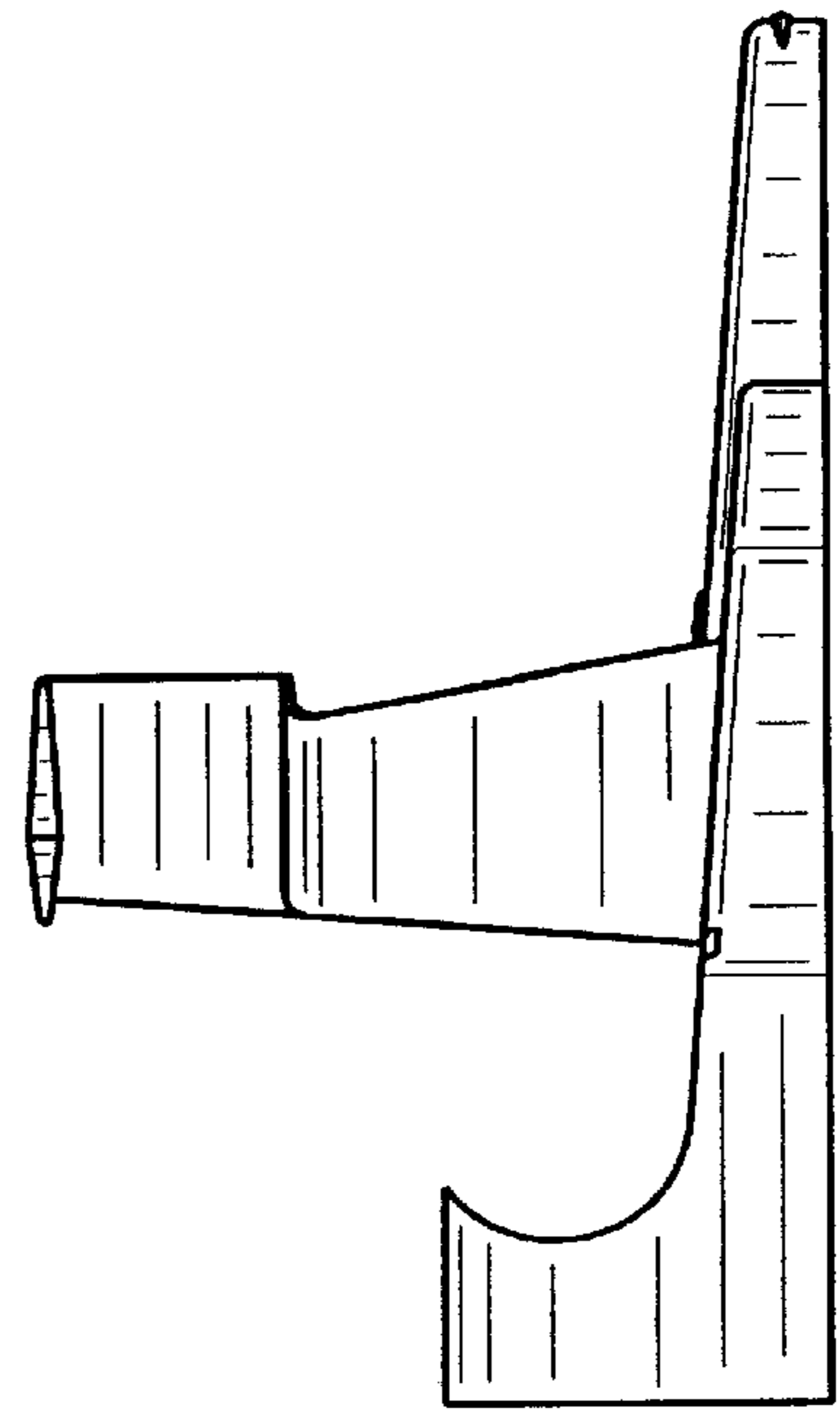


FIG. 4

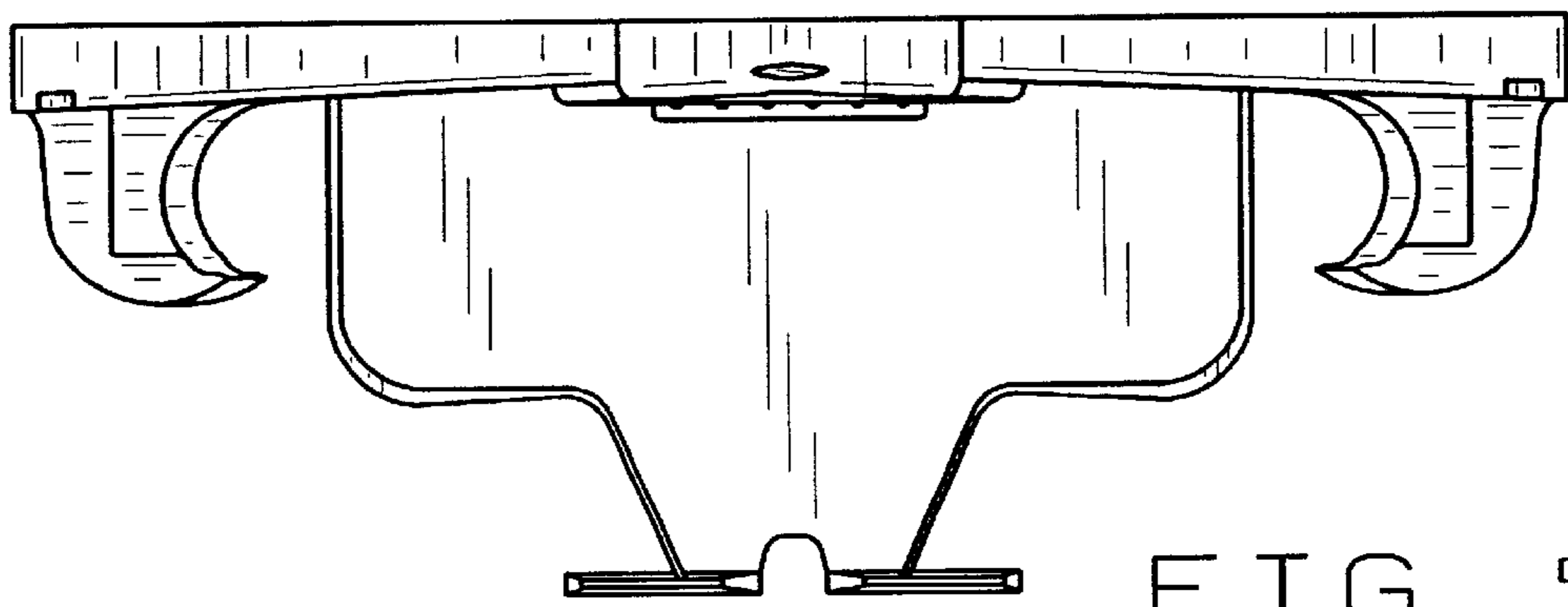


FIG. 5

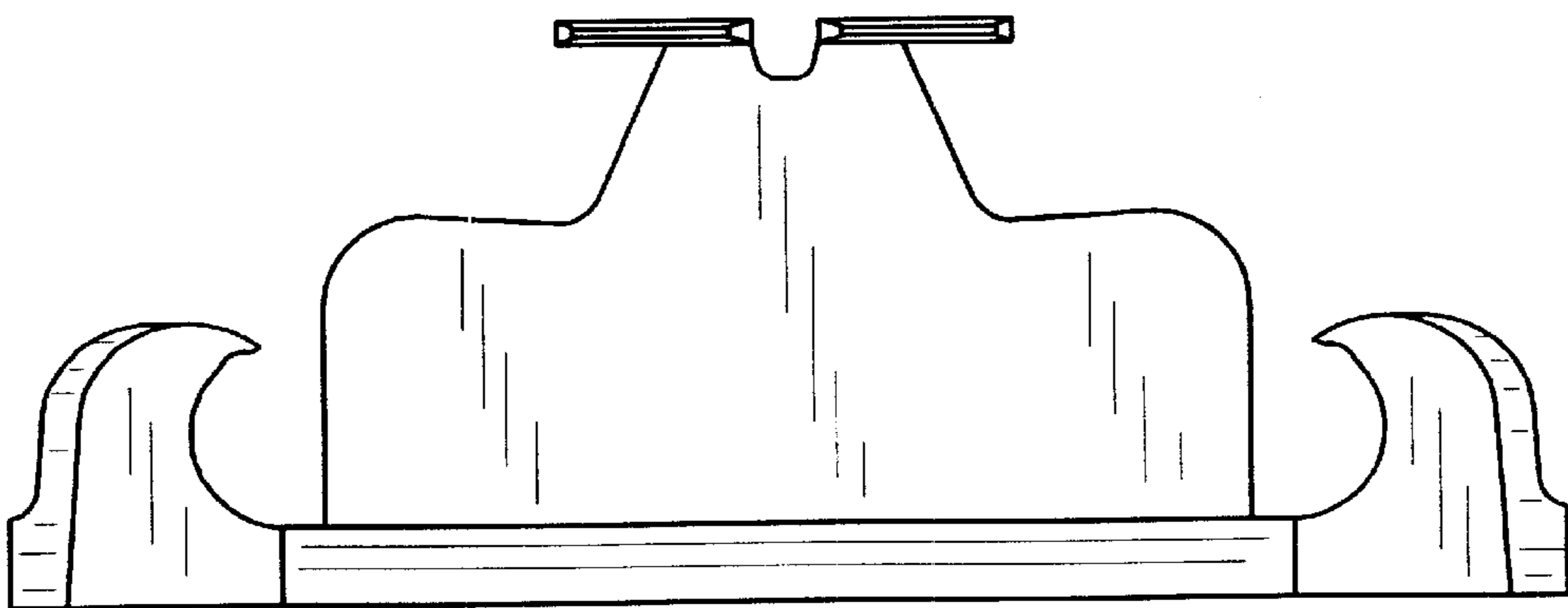


FIG. 6